

US00D760067S

(12) **United States Design Patent**
Geiger

(10) **Patent No.:** **US D760,067 S**
(45) **Date of Patent:** **** Jun. 28, 2016**

- (54) **MOUNT**
- (71) Applicant: **HellermannTyton Corporation**,
Milwaukee, WI (US)
- (72) Inventor: **Gerard G. Geiger**, Jackson, WI (US)
- (73) Assignee: **HellermannTyton Corporation**,
Milwaukee, WI (US)
- (**) Term: **15 Years**
- (21) Appl. No.: **29/527,165**
- (22) Filed: **May 15, 2015**

5,259,096 A	11/1993	Grant	
D347,990 S	6/1994	Petrohilos	
5,332,179 A	7/1994	Kuffel et al.	
5,337,983 A	8/1994	Mailey	
5,386,615 A	2/1995	Bernard	
5,653,409 A	8/1997	White, Jr. et al.	
5,730,399 A	3/1998	Baginski	
5,820,048 A	10/1998	Shereyk et al.	
D437,772 S	2/2001	Erwin	
6,196,751 B1	3/2001	Khokhar	
6,240,602 B1 *	6/2001	Geiger F16L 3/137 24/16 PB
D458,870 S *	6/2002	Anscher D11/218
6,481,066 B1	11/2002	Ide et al.	
6,533,226 B2	3/2003	Geiger	
D511,960 S	11/2005	Ogino	
7,475,453 B2	1/2009	Drake et al.	
D608,688 S	1/2010	Dalzell et al.	
D623,088 S	9/2010	Schiebl	
D628,515 S	12/2010	Schiebl	
8,056,151 B2 *	11/2011	Bologna A42B 3/08 2/421
D674,679 S	1/2013	Hobson	
D688,118 S	8/2013	Hobson	
D688,119 S	8/2013	Hobson	

Related U.S. Application Data

- (62) Division of application No. 29/470,114, filed on Oct. 17, 2013, now Pat. No. Des. 734,654.
- (51) **LOC (10) Cl.** **08-08**
- (52) **U.S. Cl.**
USPC **D8/354**
- (58) **Field of Classification Search**
USPC D8/349, 354-356, 364-365, 373, 380,
D8/382, 384, 381; D25/199; 248/215,
248/465.1, 112, 153, 175, 218.1, 218.2,
248/302, 303, 300; D11/218
CPC F16L 3/02; F16L 3/12; F16L 3/2334
See application file for complete search history.

(Continued)

Primary Examiner — Elizabeth Albert
(74) *Attorney, Agent, or Firm* — Ryan Kromholz & Manion,
S.C.

(57) **CLAIM**
The ornamental design for a mount, as shown and described.

DESCRIPTION

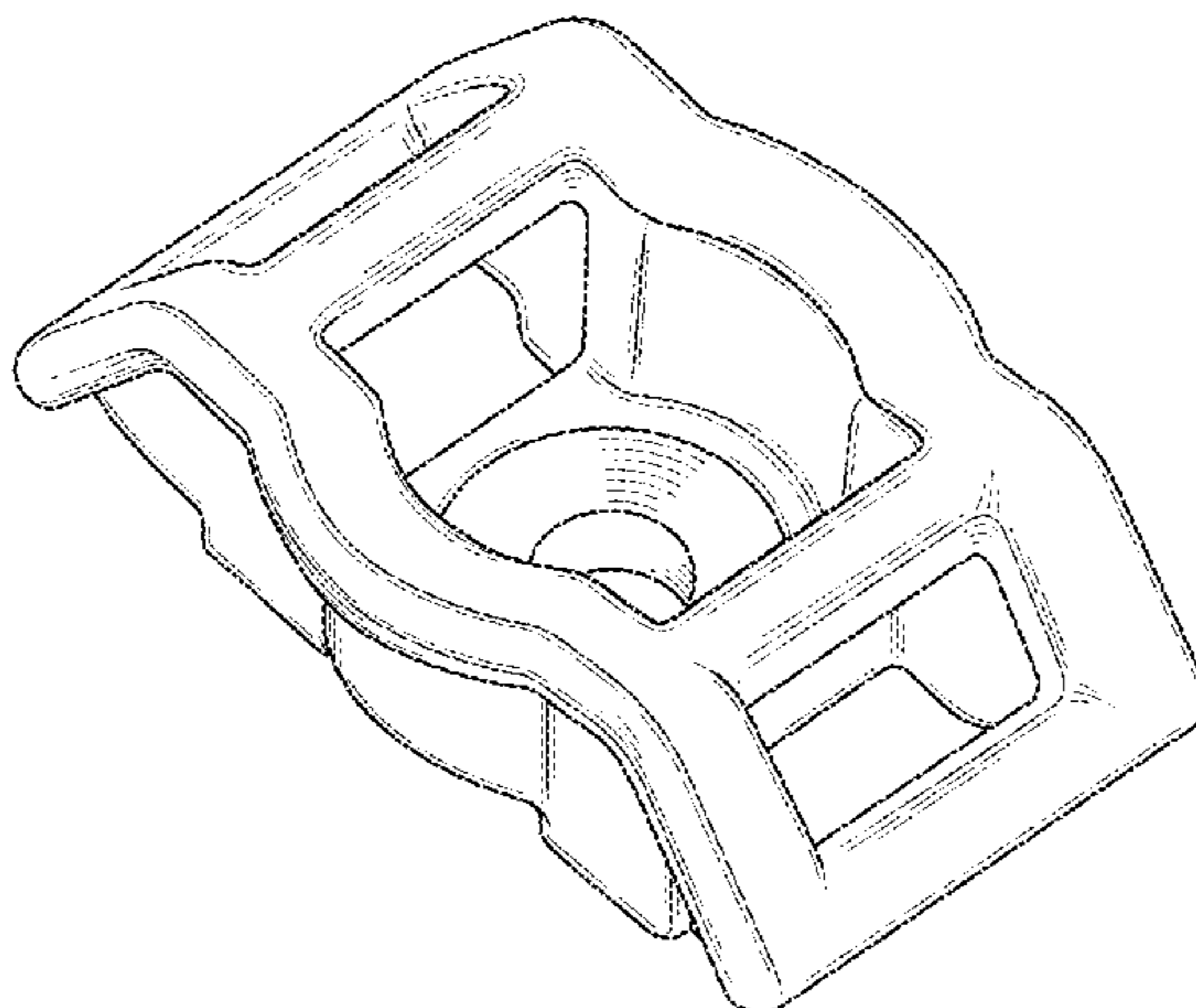
FIG. 1 is a perspective view of a mount showing my new design;
FIG. 2 is a front elevation view thereof, the rear elevation view being identical thereto;
FIG. 3 is a left side elevation view thereof, the right side elevation view being identical thereto;
FIG. 4 is a top plan view thereof; and,
FIG. 5 is a bottom plan view thereof.

1 Claim, 2 Drawing Sheets

(56) **References Cited**

U.S. PATENT DOCUMENTS

3,250,505 A	5/1966	Rodman, Sr. et al.	
3,486,725 A	12/1969	Hidassy	
3,632,070 A	1/1972	Thayer	
3,632,071 A *	1/1972	Cameron F16L 3/08 24/16 PB
3,913,876 A	10/1975	McSherry	
4,768,741 A	9/1988	Logsdon	
D301,566 S	6/1989	Heiberger	
4,925,136 A	5/1990	Knott	



(56)

References Cited

U.S. PATENT DOCUMENTS

D688,121 S 8/2013 Hobson
D688,548 S 8/2013 Hobson
D713,759 S 9/2014 Guney et al.
D714,683 S 10/2014 McEntyre et al.

8,931,977 B2 1/2015 Connors et al.
D729,689 S * 5/2015 Kelleghan D11/218
D731,294 S * 6/2015 Swan D8/356
D731,919 S * 6/2015 Kung D11/218
D750,530 S * 3/2016 VanHoutin D11/218
2007/0193006 A1 8/2007 Kitano et al.
2013/0068899 A1 3/2013 Richter

* cited by examiner

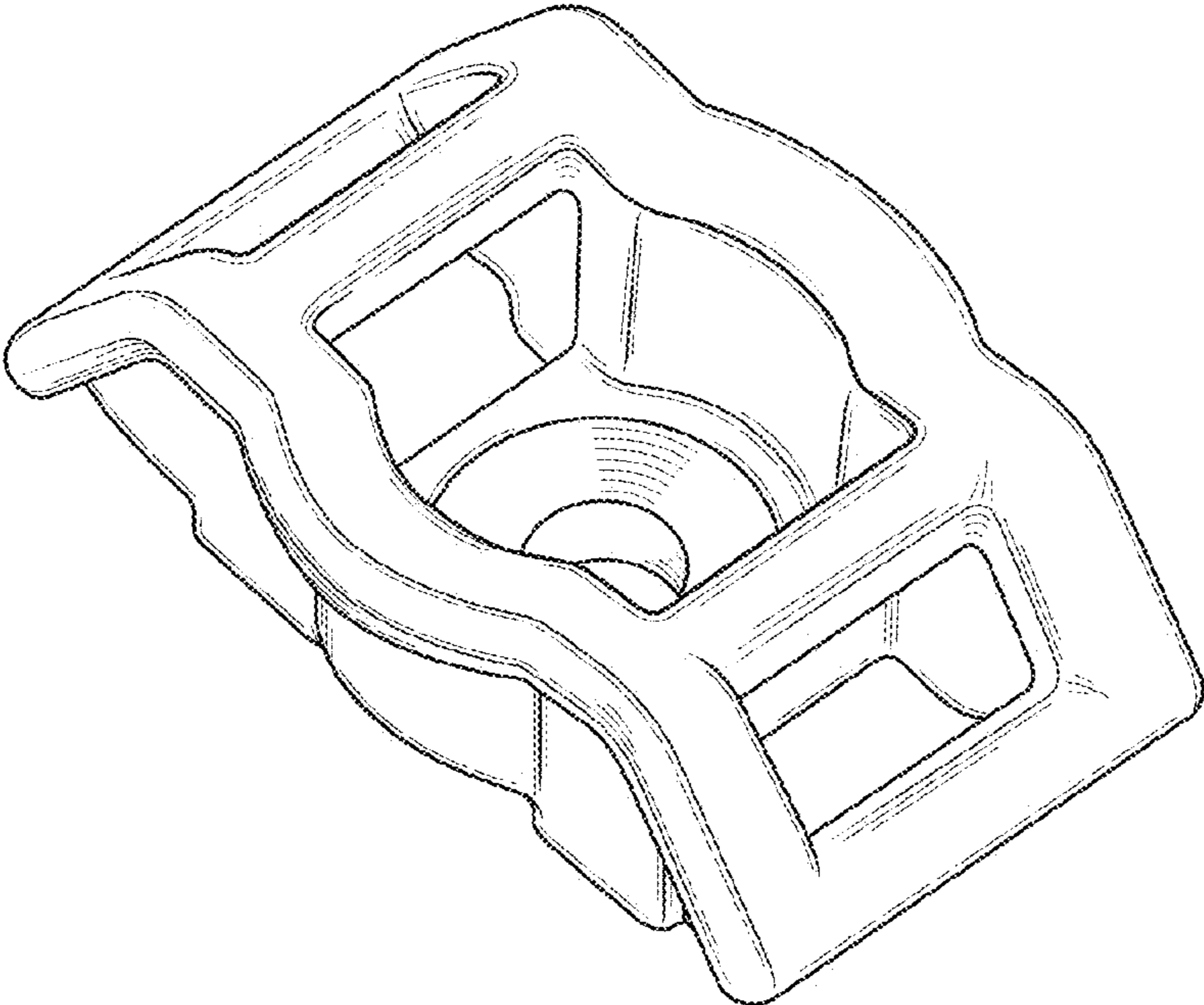


Fig. 1

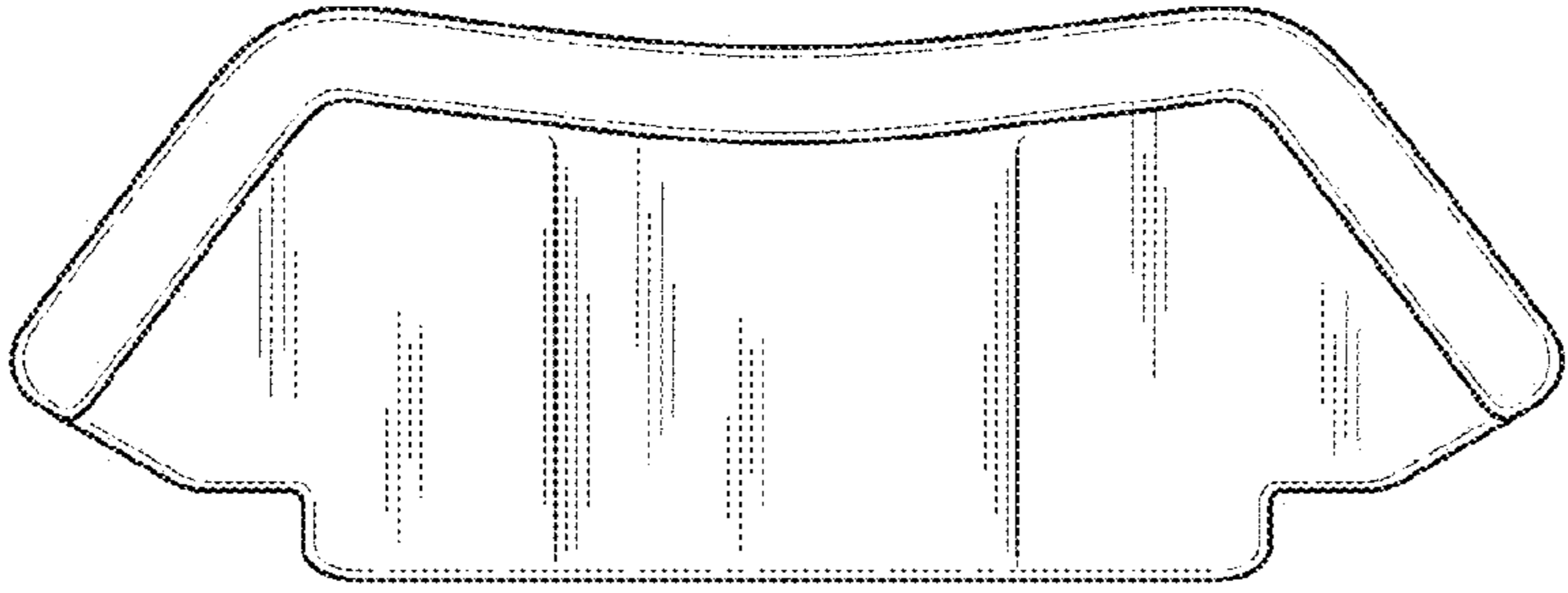


Fig. 2

Fig. 3

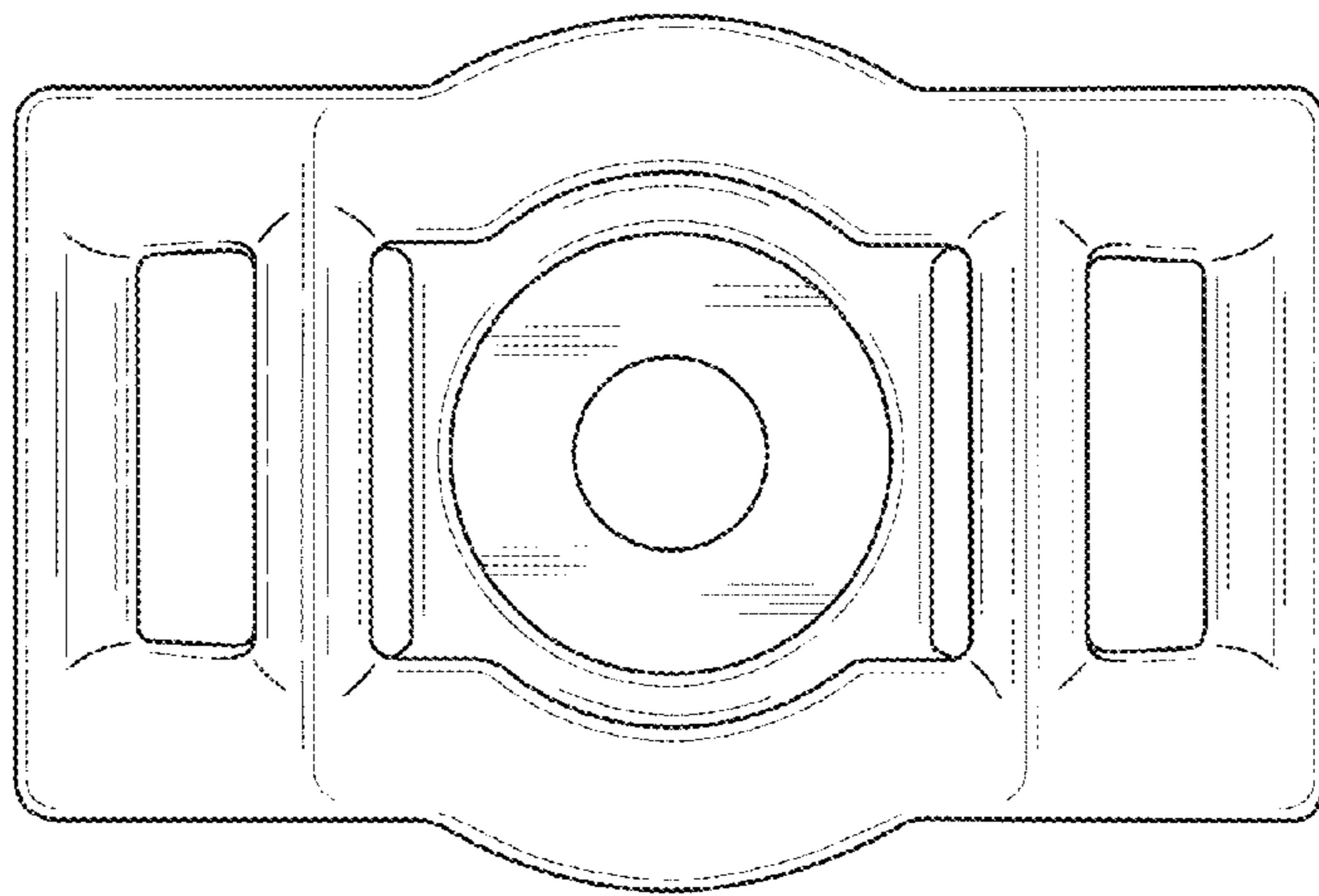
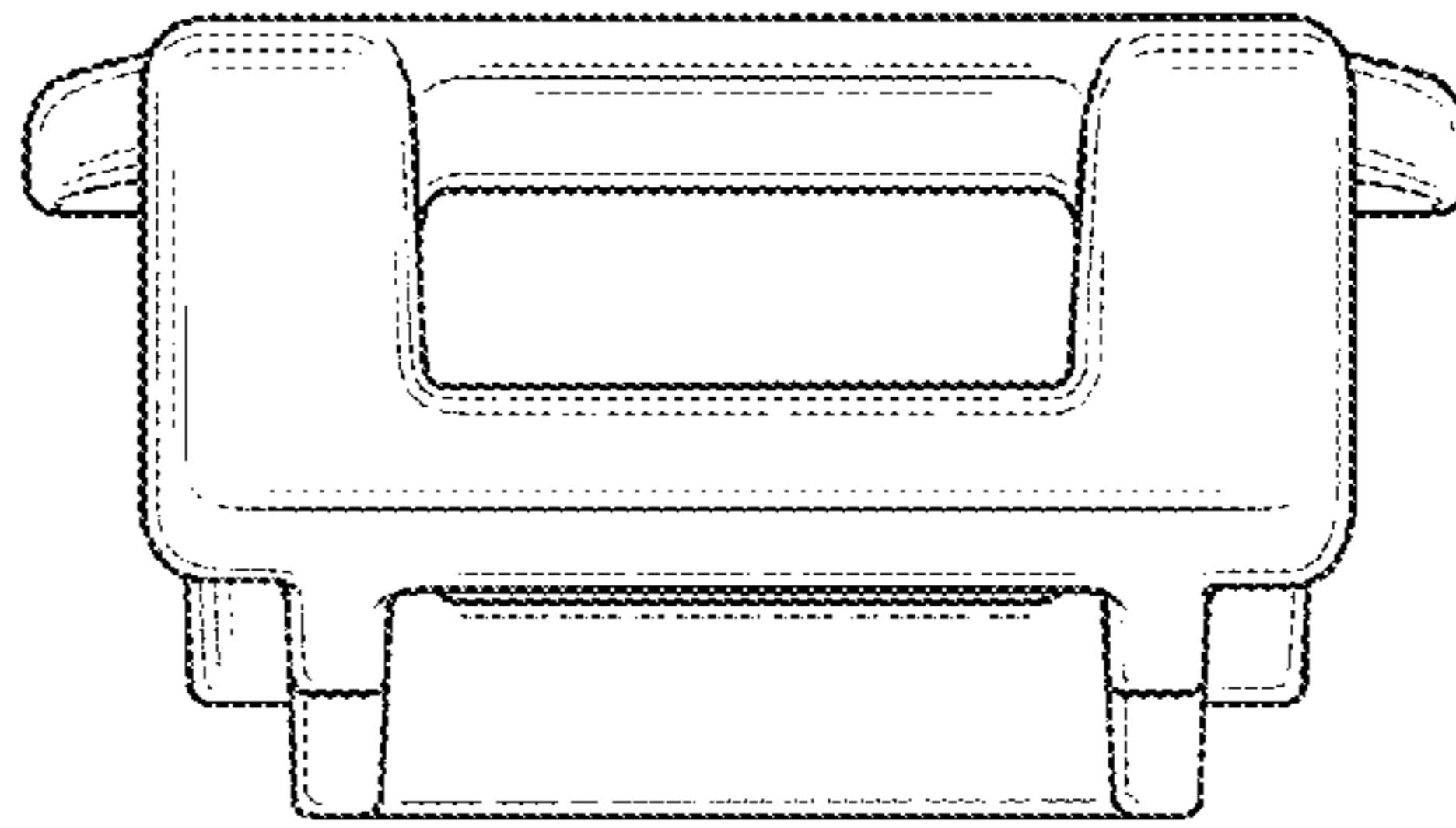


Fig. 4

Fig. 5

