

US00D760066S

(12) **United States Design Patent**
Krenek

(10) **Patent No.:** **US D760,066 S**
(45) **Date of Patent:** **** Jun. 28, 2016**

(54) **SKULL MOUNT BRACKET**

(71) Applicant: **Casey James Krenek**, New Ulm, TX (US)

(72) Inventor: **Casey James Krenek**, New Ulm, TX (US)

(**) Term: **14 Years**

(21) Appl. No.: **29/516,735**

(22) Filed: **Feb. 5, 2015**

(51) **LOC (10) Cl.** **08-05**

(52) **U.S. Cl.**
USPC **D8/354**

(58) **Field of Classification Search**
USPC D8/349, 354–355, 373, 380, 382–383, D8/394, 396; D13/102, 118, 149, 154, D13/155, 184, 199; D14/209, 204; D16/330, 242; D25/119, 123–125; D21/484, 500, 504
CPC F24J 2/07; F24J 2/14; F24J 2/541; F24J 2/542; F24J 2/38; Y02E 10/47; Y02E 10/45; Y02E 10/50; Y02E 10/60; Y02E 10/52; E04H 9/022; E04H 9/021; E02D 27/34; E04B 1/98; H01L 35/00; H01L 31/0522; H01L 35/08; H01L 31/052; H01L 31/042; H01L 31/05; H01L 27/1423; H01L 31/048; H01L 31/045; H01L 31/055; B64G 1/443; B64G 1/222; B60G 2202/143
See application file for complete search history.

(56) **References Cited**
U.S. PATENT DOCUMENTS
D28,652 S * 5/1898 Dettelbach D23/308
D31,665 S * 10/1899 McKay 248/37.6

D140,190 S * 1/1945 Eckel D8/394
2,441,051 A * 5/1948 Wilhelm A47L 13/512
131/257
D214,383 S * 6/1969 Johnson D8/371
D260,850 S * 9/1981 Greenblatt D24/128
D335,935 S * 5/1993 Rouail D28/73
D394,601 S * 5/1998 Mesna D8/367
D520,322 S * 5/2006 Orlando D8/354
D569,343 S * 5/2008 Hung D13/133
D599,272 S * 9/2009 Feder D12/223
D666,081 S * 8/2012 Barry D8/367
D736,579 S * 8/2015 Hauser D8/34
2011/0318536 A1 * 12/2011 Bittner B32B 27/302
428/156
2014/0230220 A1 * 8/2014 Allred B44C 5/02
29/428
2015/0083874 A1 * 3/2015 Gill, Jr. F16M 11/04
248/217.2

* cited by examiner

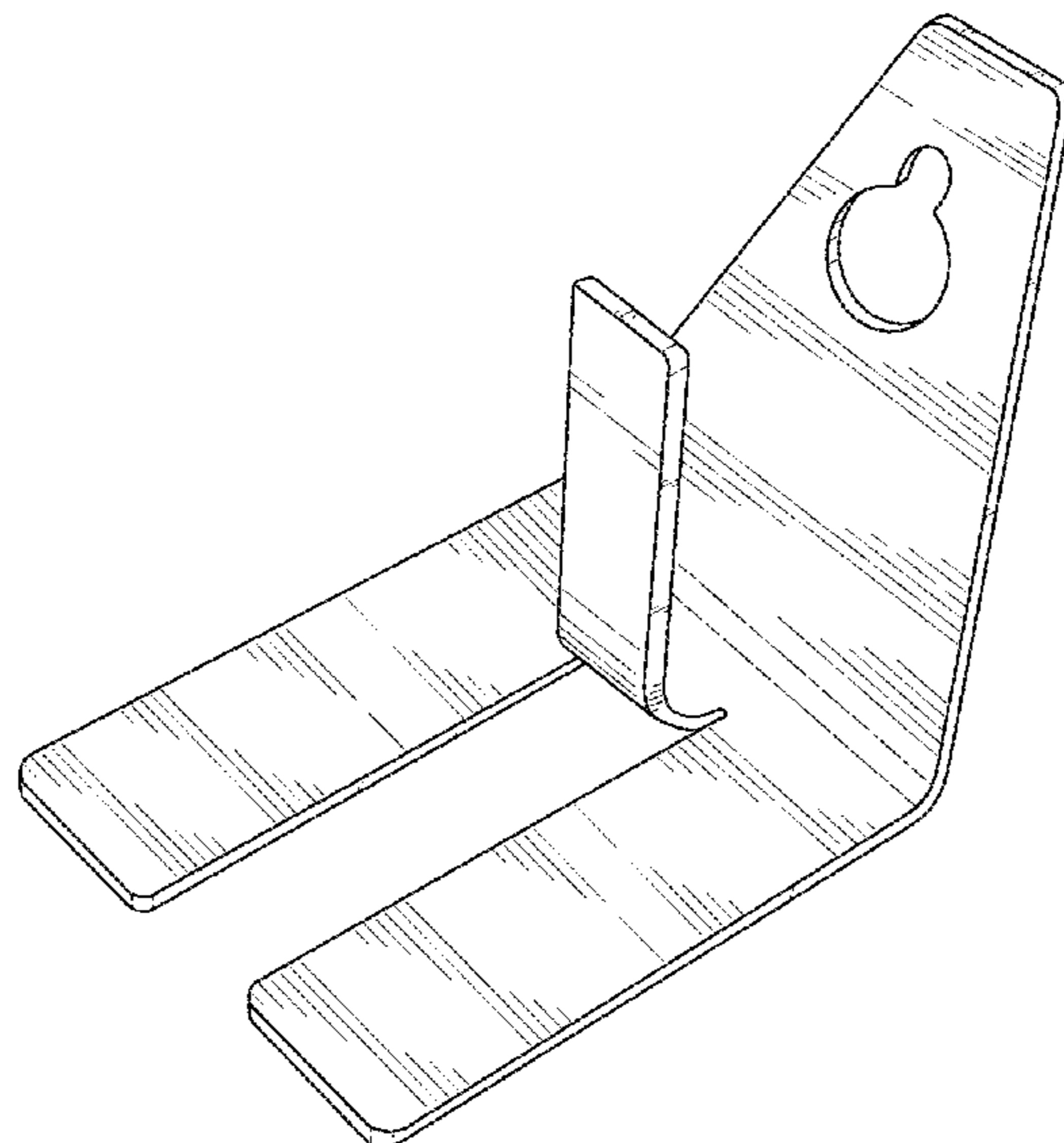
Primary Examiner — Rosemary K Tarcza
Assistant Examiner — Nathaniel D Buckner
(74) *Attorney, Agent, or Firm* — Law Office of Jeff Williams; J. Oliver Williams

(57) **CLAIM**
The ornamental design for a skull mount bracket, as shown.

DESCRIPTION

FIG. 1 is a perspective view of a skull mount bracket showing my new design.
FIG. 2 is a front view of the skull mount bracket of FIG. 1.
FIG. 3 is a back view of the skull mount bracket of FIG. 1.
FIG. 4 is a left view of the skull mount bracket of FIG. 1.
FIG. 5 is a right view of the skull mount bracket of FIG. 1.
FIG. 6 is a top view of the skull mount bracket of FIG. 1; and,
FIG. 7 is a bottom view of the skull mount bracket of FIG. 1.

1 Claim, 4 Drawing Sheets



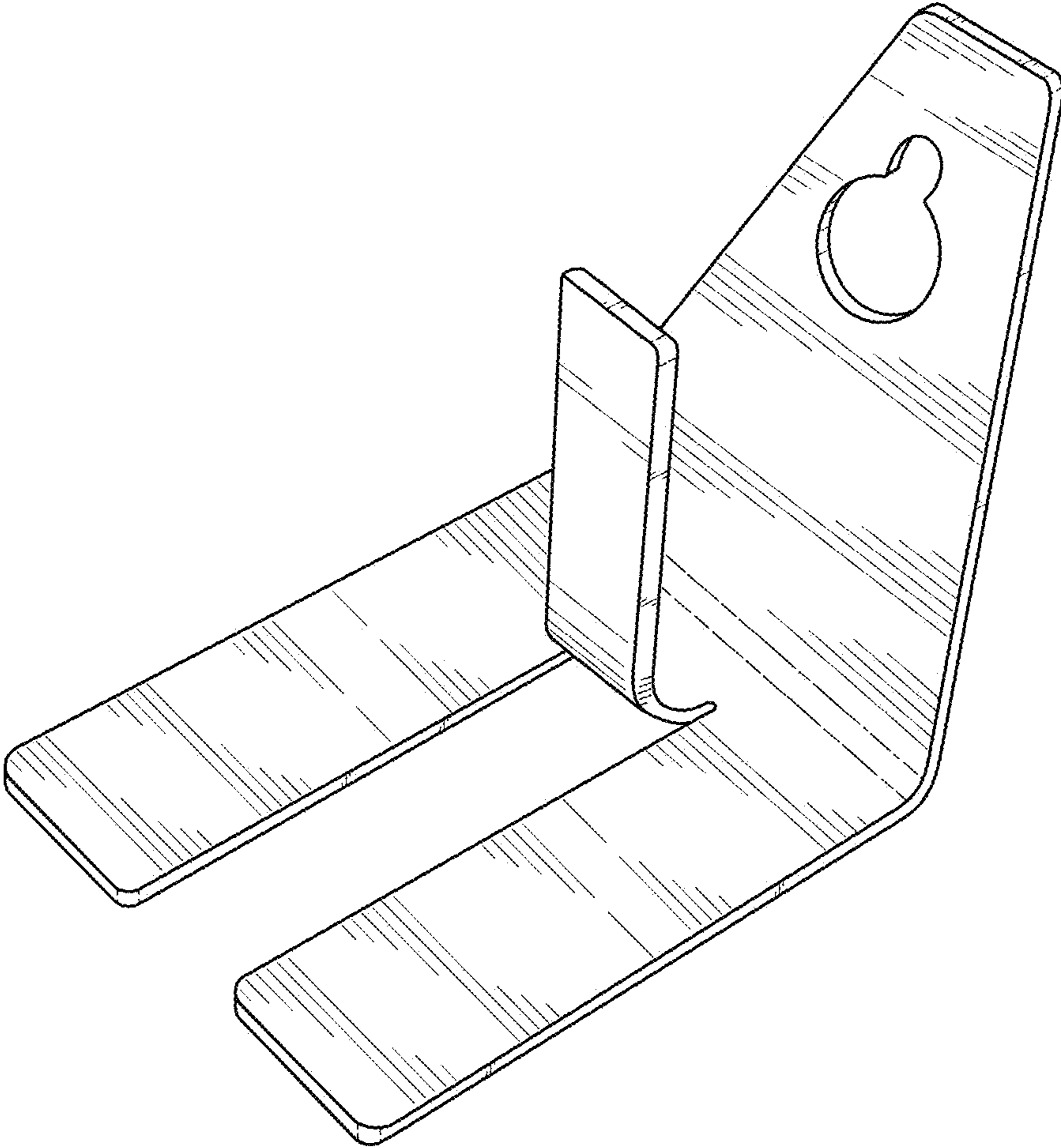


FIG. 1

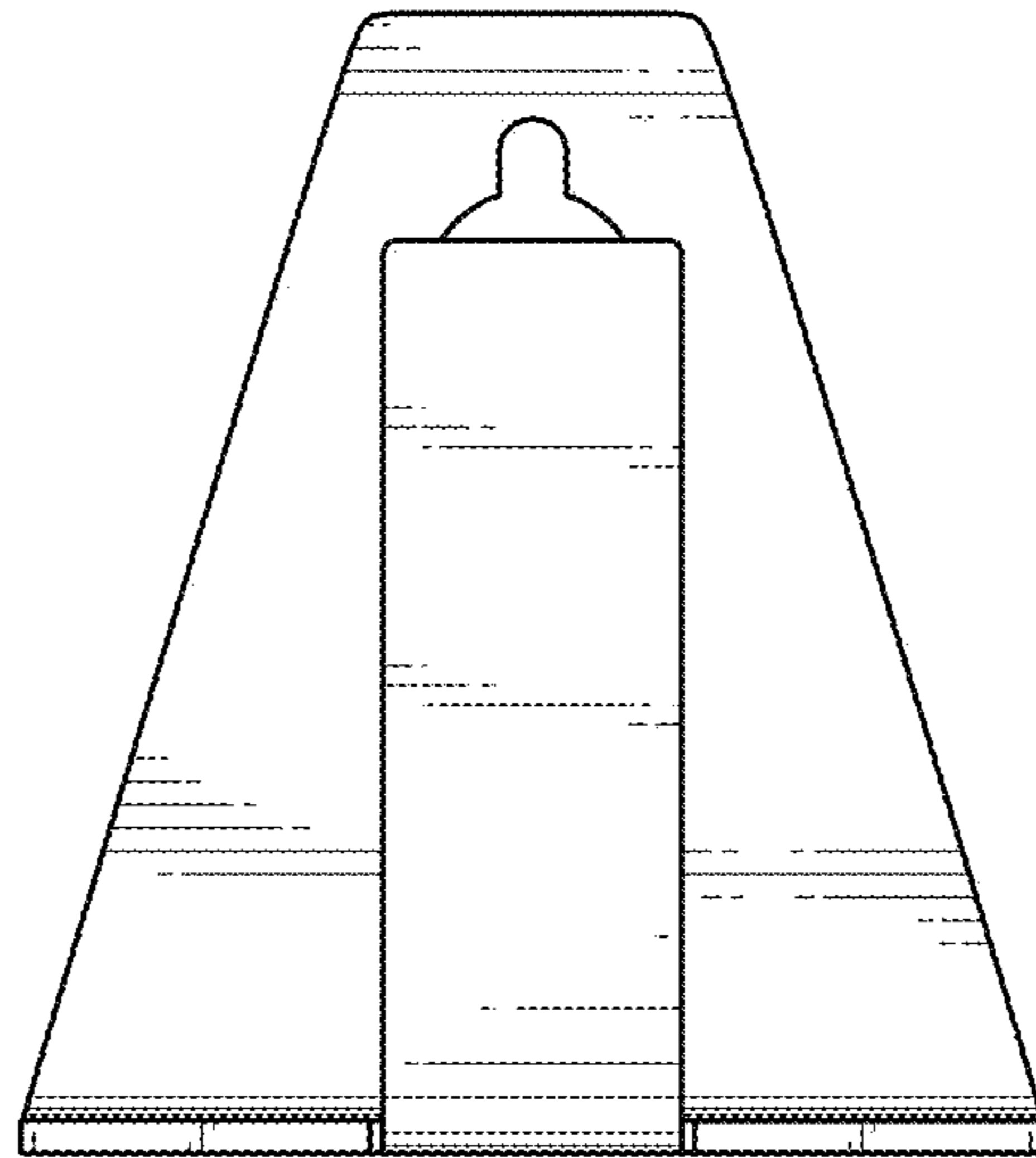


FIG. 2

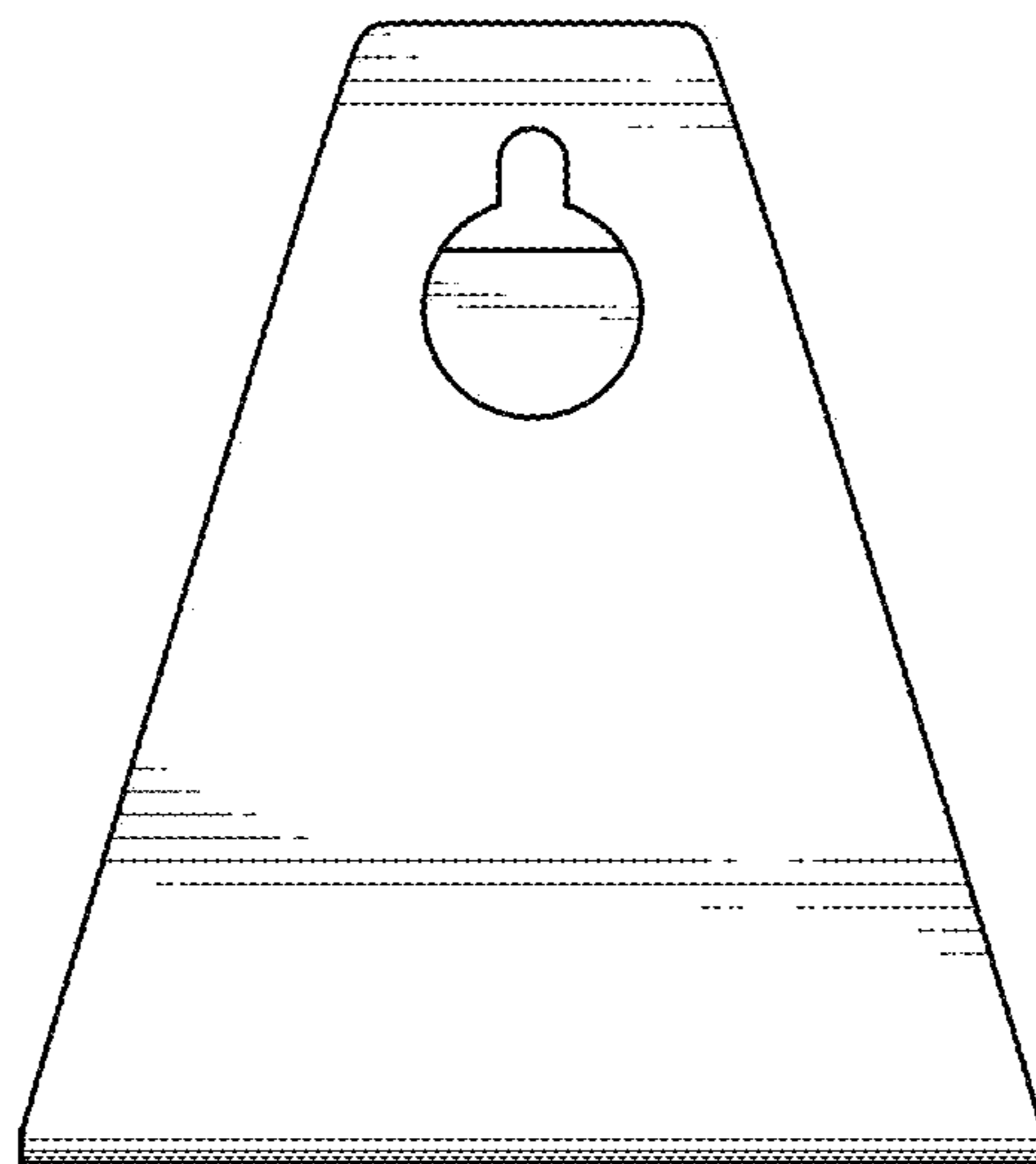


FIG. 3

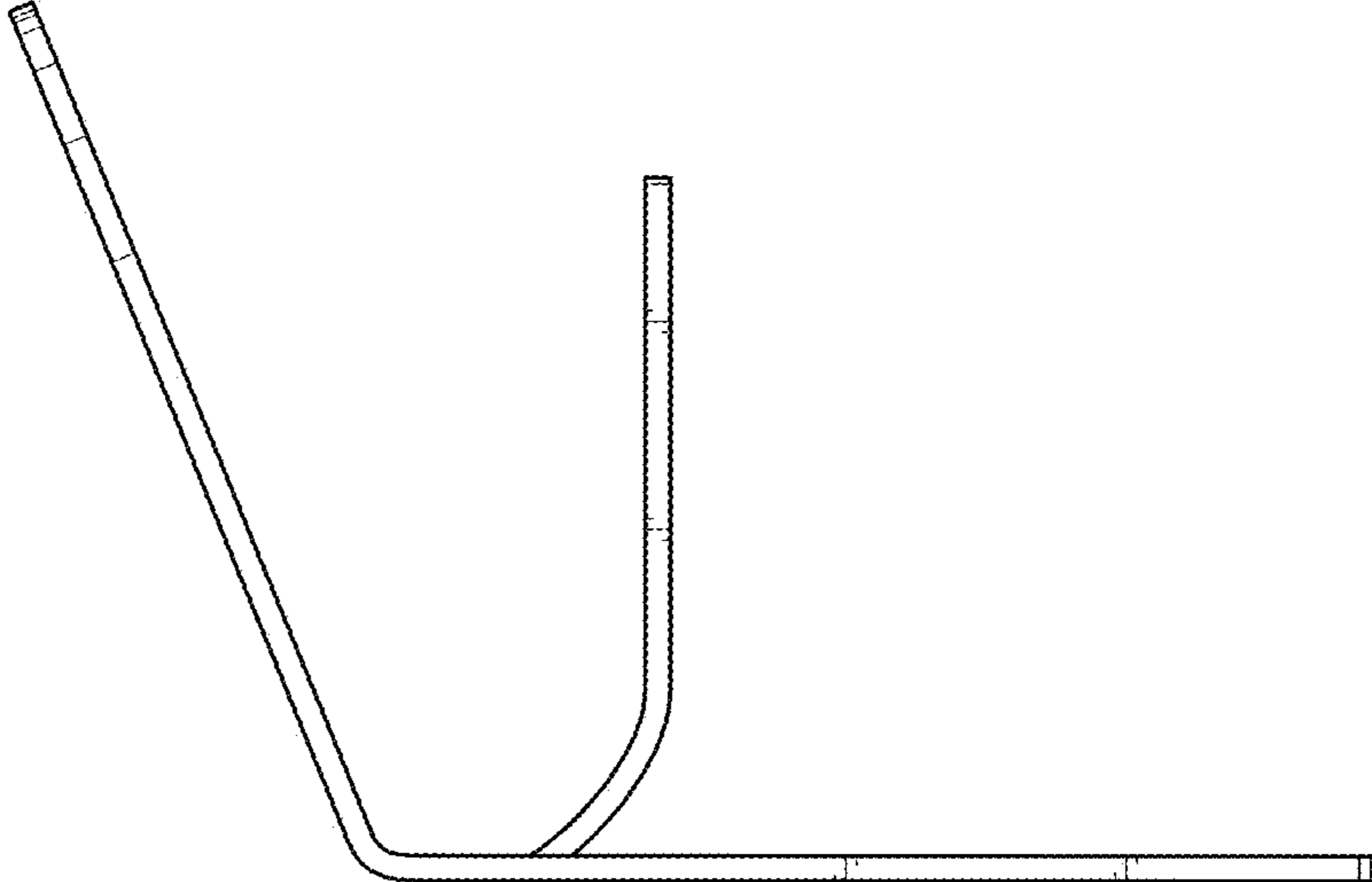


FIG. 4

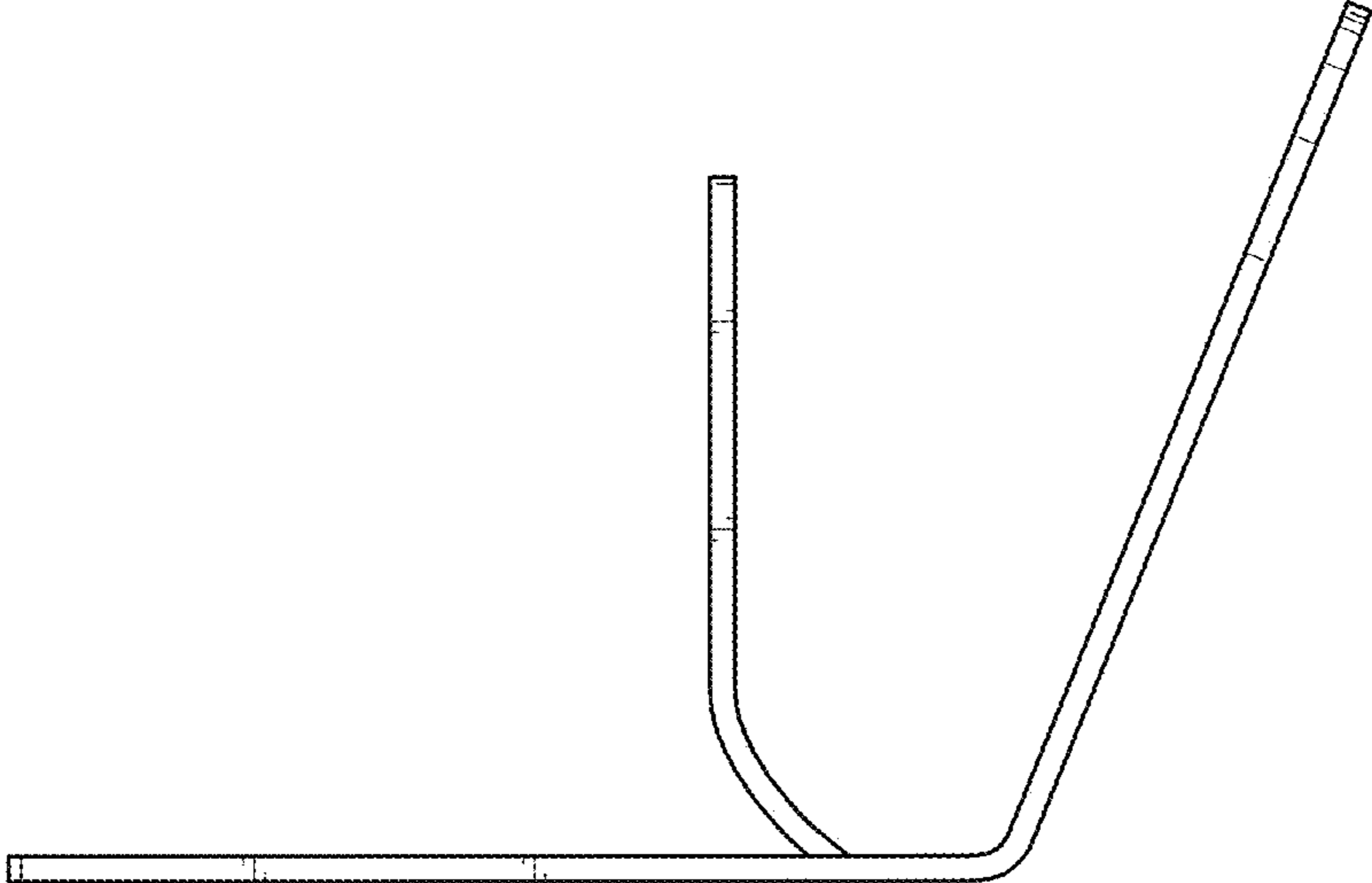


FIG. 5

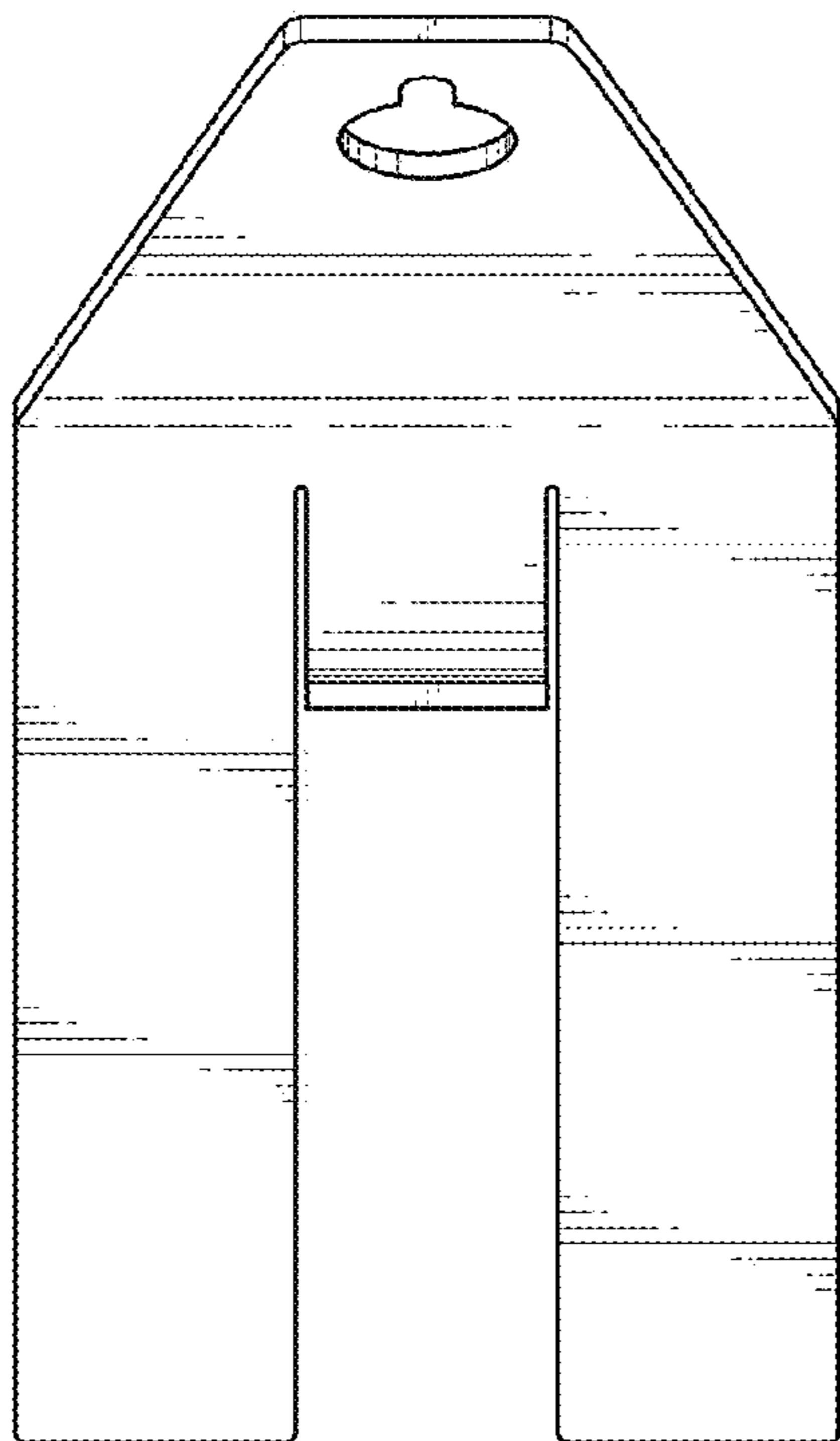


FIG. 6

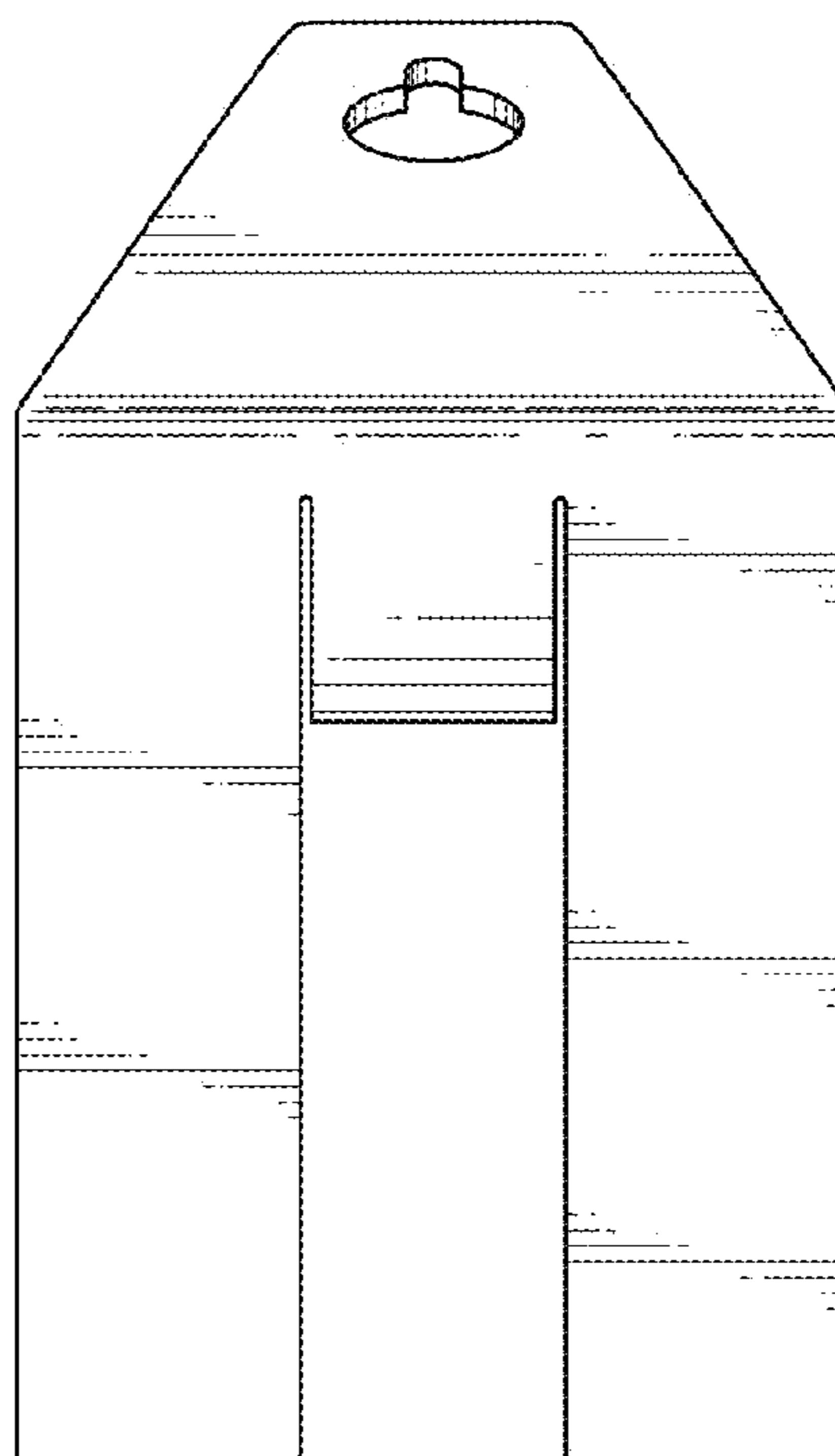


FIG. 7