

US00D760065S

(12) **United States Design Patent**
Kuehn

(10) **Patent No.:** **US D760,065 S**
(45) **Date of Patent:** **** Jun. 28, 2016**

(54) **SUPPORT BRACKET**

(71) Applicant: **TARGET BRANDS, INC.**,
Minneapolis, MN (US)

(72) Inventor: **Thomas P. Kuehn**, St. Louis Park, MN
(US)

(73) Assignee: **Target Brands, Inc.**, Minneapolis, MN
(US)

(**) Term: **14 Years**

(21) Appl. No.: **29/514,514**

(22) Filed: **Jan. 13, 2015**

(51) **LOC (10) Cl.** **11-05**

(52) **U.S. Cl.**
USPC **D8/354**

(58) **Field of Classification Search**
USPC D8/349, 354–355, 373, 380, 382–383,
D8/394, 396; D13/102, 118, 149, 154,
D13/155, 184, 199
CPC ... A47F 5/0823; A47F 5/0838; A47F 5/0869;
A47F 1/128
See application file for complete search history.

(56) **References Cited**

U.S. PATENT DOCUMENTS

1,714,201 A	5/1929	West	
D115,180 S *	6/1939	Holden	D6/317
D213,451 S *	3/1969	White	D3/228
3,817,394 A	6/1974	Saiki	
D242,510 S	11/1976	Enckler	
D250,571 S *	12/1978	Winslow	D8/356
4,146,204 A	3/1979	Thalenfeld	
4,318,486 A	3/1982	Bobrowski	
D291,238 S *	8/1987	Haug	D23/252
5,116,003 A	5/1992	Gerhardt	
5,388,709 A	2/1995	Adams	
5,441,161 A *	8/1995	Merl	A47F 5/0869 211/57.1
D396,371 S *	7/1998	Oliver	D6/552

6,254,053 B1	7/2001	Taser	
D494,046 S *	8/2004	DeBiasio, Jr.	D8/370
D555,462 S *	11/2007	Moffitt	D8/370
D555,947 S	11/2007	Vestweber	
D608,386 S *	1/2010	Wright	D17/20
7,654,400 B2	2/2010	Orr	
D629,676 S *	12/2010	Langley	D8/370

(Continued)

OTHER PUBLICATIONS

“InterDesign Suction Shower Caddy—Chrome,” printed from http://www.target.com/p/interdesign-suction-shower-caddy-chrome/-/A-14433016#prodSlot=_2_23, publicly available at least as early as Jul. 22, 2013, per <http://web.archive.org> (5 pages).

(Continued)

Primary Examiner — Rosemary K Tarcza

Assistant Examiner — Nathaniel D Buckner

(74) *Attorney, Agent, or Firm* — JoAnn M. Seaton; Griffiths & Seaton PLLC

(57) **CLAIM**

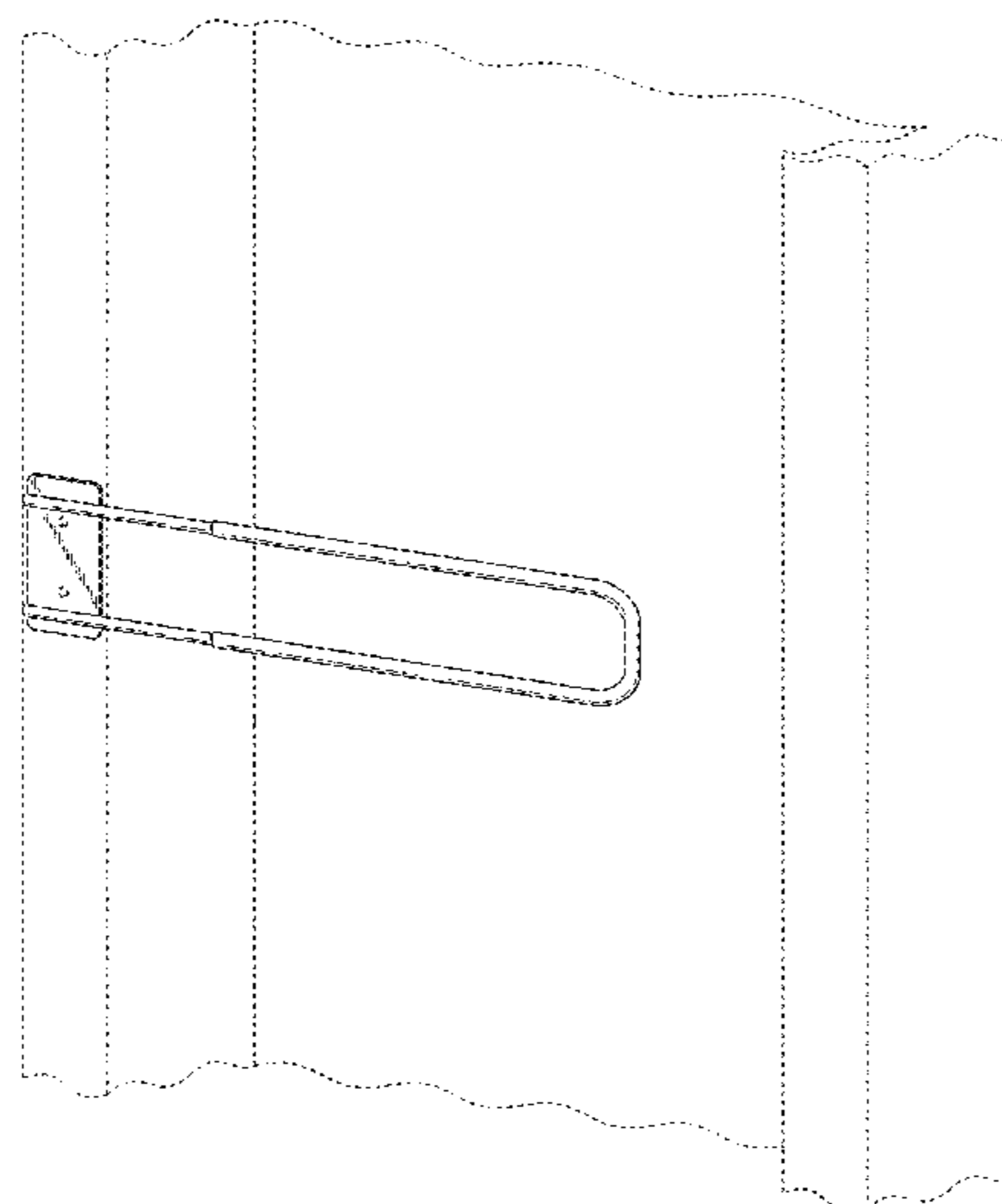
The ornamental design for a support bracket, as shown and described.

DESCRIPTION

FIG. 1 is a front, perspective view of a support bracket showing our new design;
FIG. 2 is a front view thereof;
FIG. 3 is a rear view thereof;
FIG. 4 is a right side view thereof;
FIG. 5 is a left side view thereof;
FIG. 6 is a top view thereof, the bottom view being a mirror image of the top view; and,
FIG. 7 is a front, perspective view thereof, shown in an environment of use.

The features shown in broken lines are portions of the support bracket or environmental subject matter to the support bracket forming no part of the claimed design.

1 Claim, 3 Drawing Sheets



(56)

References Cited

U.S. PATENT DOCUMENTS

7,882,964 B2 *	2/2011	Battaglia	A47F 5/0823 211/183
D698,629 S *	2/2014	Hansen	D8/370
D751,370 S *	3/2016	McClees	D12/416
2005/0077257 A1 *	4/2005	Ahlund	A47F 5/0823 211/54.1

OTHER PUBLICATIONS

“InterDesign Medium Shower Caddy—Bronze,” printed from http://www.target.com/p/interdesign-medium-shower-caddy-bronze/-/A-14433011#prodSlot=_3_15, publicly available at least as early as Jul. 23, 2013, per <http://web.archive.org> (5 pages).

“Wall-Mount Hanger Holder,” printed from <http://www.stacksandstacks.com/wall-mount-hanger-holder>, publicly available at least as early as Aug. 20, 2014, per <http://web.archive.org> (2 pages).

“Wall-Mount Swing Arm,” printed from <http://www.stacksandstacks.com/wall-mount-swing-arm>, publicly available at least as early as Aug. 20, 2014, per <http://web.archive.org> (2 pages).

“4 Position Kitchen Storage Mop Broom Organizer Mop & Broom Holder Wall Mounted,” printed from <http://www.aliexpress.com/item/4-Position-Kitchen-Storage-Mop-Broom-Organizer-MOP-BROOM-HOLDER-Wall-Mounted/1402009056.html>, publicly available at least as early as Oct. 15, 2014 (2 pages).

“12.5" Mop & Broom Holder—Grey,” printed from <http://www.houzz.com/photos/15325999/125-Mop-and-Broom-Holder-Grey-modern-mops-brooms-and-dustpans>, publicly available at least as early as Oct. 15, 2014 (1 page).

“Chrome Wall Mount Clothing Storage Valet,” printed from <http://www.stacksandstacks.com/chrome-wall-mount-clothing-storage-valet>, publicly available at least as early as Oct. 15, 2014 (2 pages).

“Regency 18" Deep Wall Mounting Bracket for Adjoining Green Epoxy Wire Shelving,” printed from <http://www.webstaurantstore.com/regency-18-deep-wall-mounting-bracket-for-adjoining-green-epoxy-wire-shelving/460GDB18X.html>, publicly available at least as early as Oct. 15, 2014 (3 pages).

U.S. Appl. No. 29/514,516, filed Jan. 13, 2015 (7 pages).

U.S. Appl. No. 29/514,512, filed Jan. 13, 2015 (15 pages).

U.S. Appl. No. 29/514,511, filed Jan. 13, 2015 (5 pages).

* cited by examiner

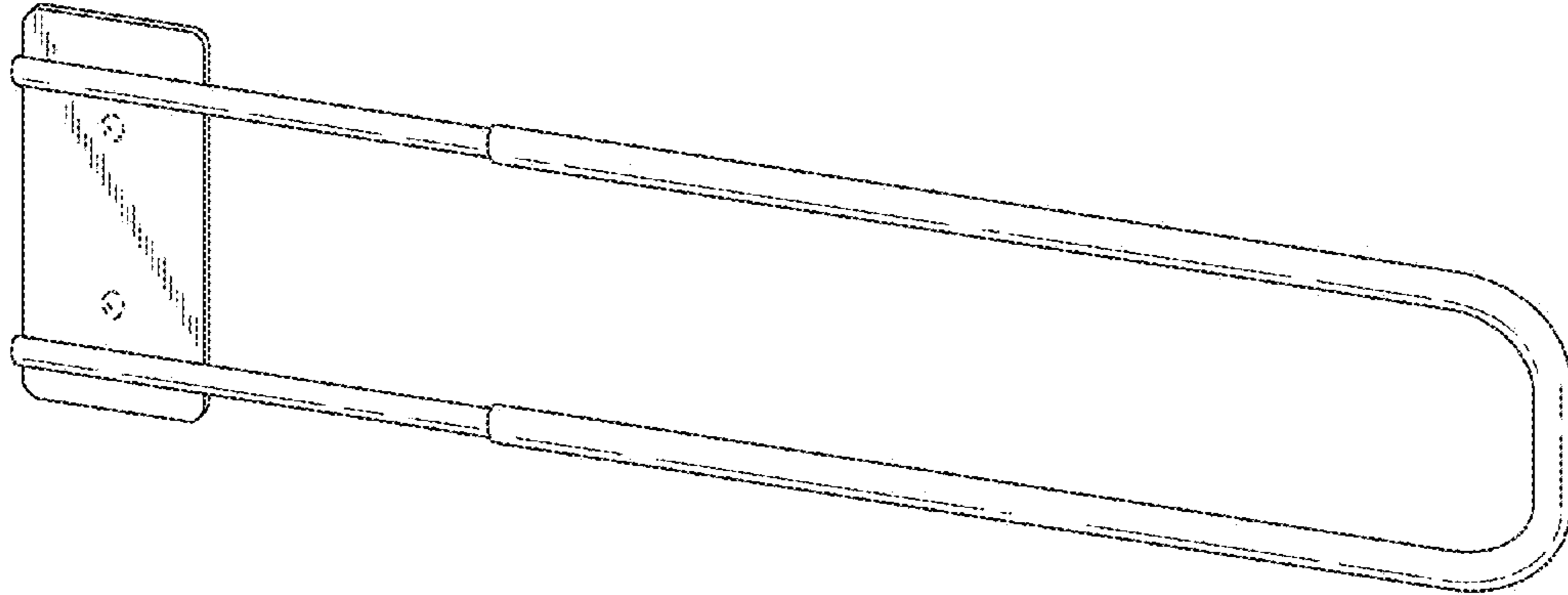


FIG. 1

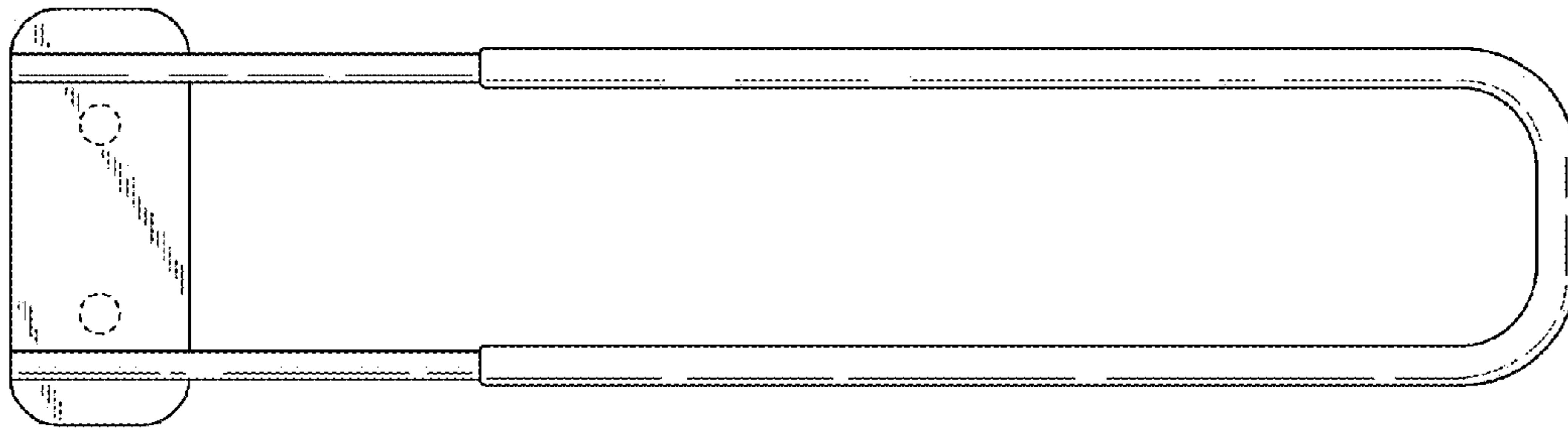


FIG. 2

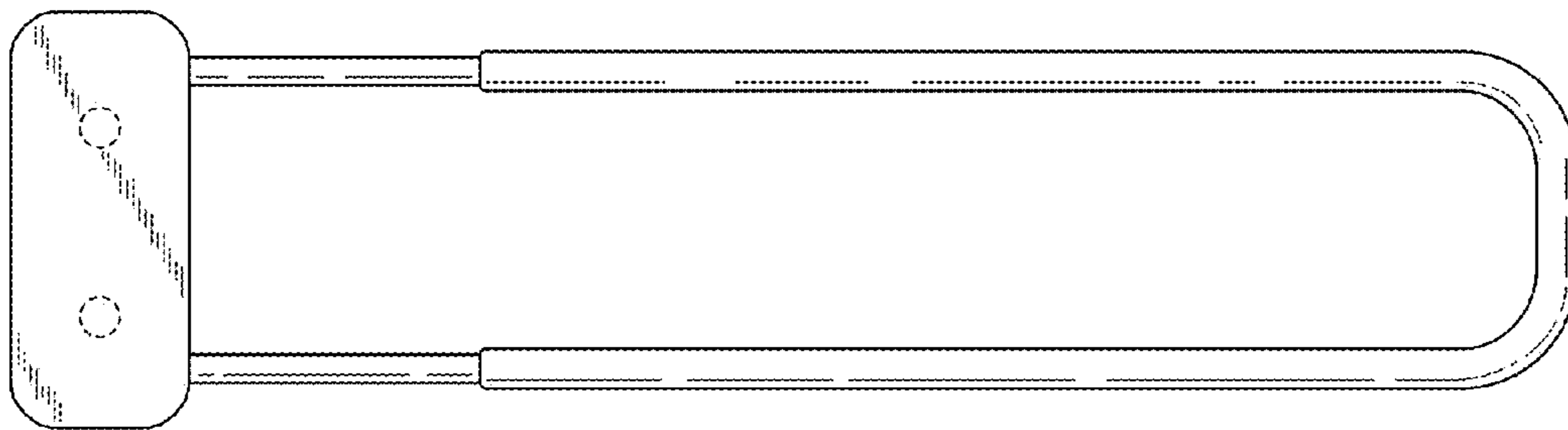


FIG. 3



FIG. 4

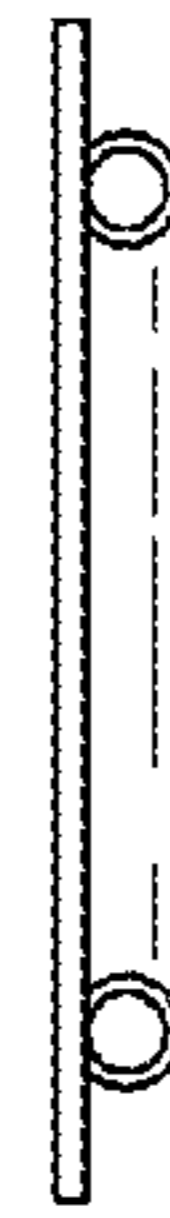


FIG. 5

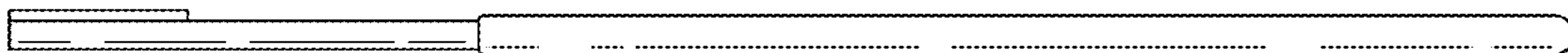


FIG. 6

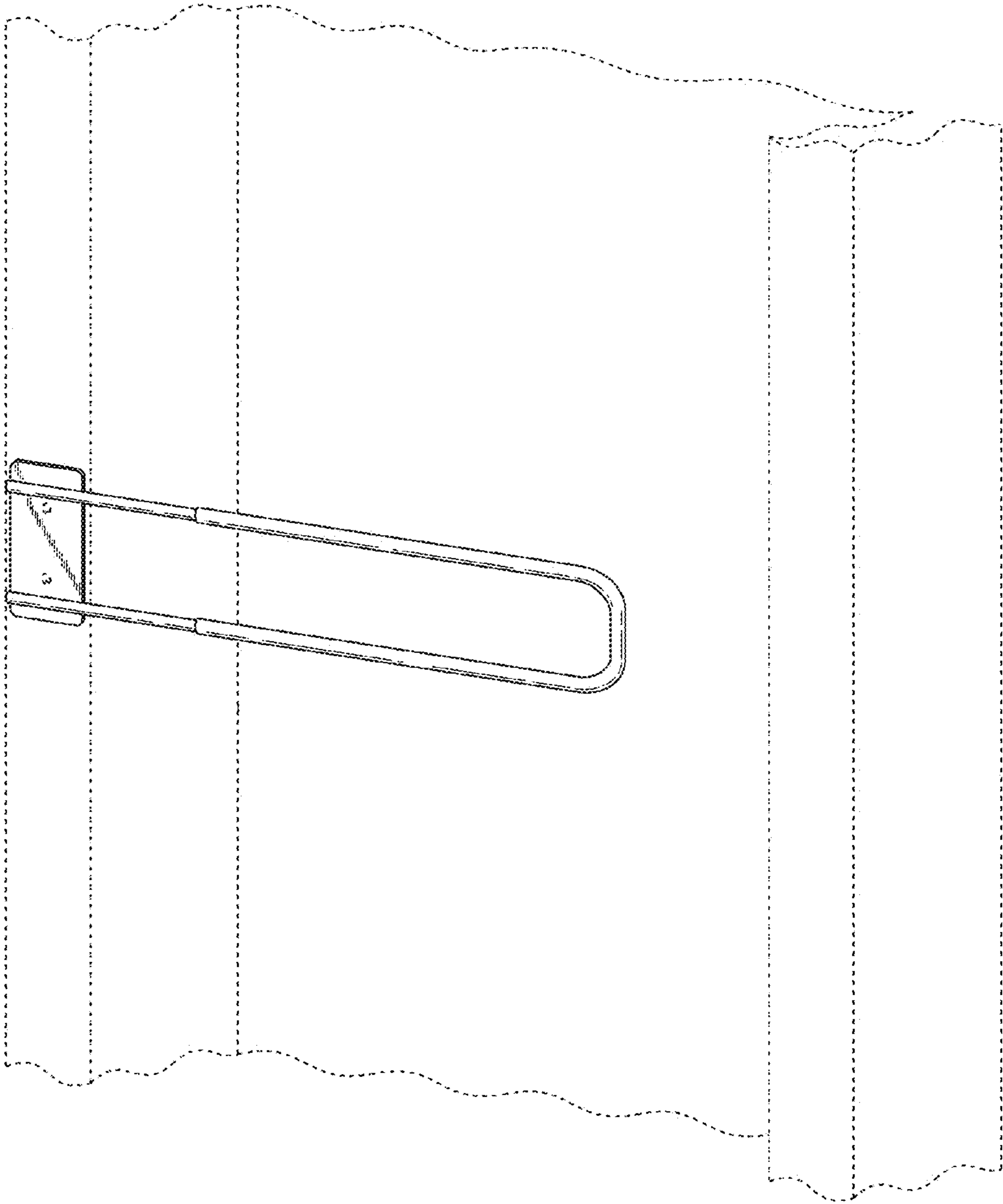


FIG. 7