



US00D760063S

(12) **United States Design Patent**
Mello

(10) **Patent No.:** **US D760,063 S**
(45) **Date of Patent:** **** Jun. 28, 2016**

- (54) **GARAGE DOOR SECURITY PLATE ASSEMBLY**
- (71) Applicant: **Thomas A Mello**, Scottsdale, AZ (US)
- (72) Inventor: **Thomas A Mello**, Scottsdale, AZ (US)
- (**) Term: **15 Years**
- (21) Appl. No.: **29/527,036**
- (22) Filed: **May 14, 2015**
- (51) **LOC (10) Cl.** **08-07**
- (52) **U.S. Cl.**
USPC **D8/339**; D8/343
- (58) **Field of Classification Search**
USPC D8/330, 331, 339, 340, 343, 349, 400, D8/403, 499, 354, 355; 70/51, 52, 250, 70/229, 262, 431, 451, DIG. 11; 292/289, 292/290, 292, DIG. 53, DIG. 54; 52/27, 29, 52/60, 204.1, 242, 272, 288.1, 506.01, 39, 52/273; D25/102, 113, 134
CPC E05B 9/00; E05B 65/00; E05B 65/0021; E04D 1/36; E04C 17/24; E04C 3/00; E04C 21/00
See application file for complete search history.

(56) **References Cited**

U.S. PATENT DOCUMENTS

- 2,090,099 A * 8/1937 Bittorf E05B 65/0021
160/191
- 2,122,220 A * 6/1938 Turner E05C 17/24
292/263
- 4,463,292 A * 7/1984 Engelmann E05F 15/79
318/283
- 4,989,296 A * 2/1991 Alderson E05D 15/0634
16/105
- D324,166 S * 2/1992 Greco D8/331
- D376,388 S * 12/1996 Hall D20/43
- 5,946,862 A * 9/1999 Hoffman E04D 1/36
52/58

D455,755 S * 4/2002 Levine D14/447
6,585,448 B2 * 7/2003 Grossman F16B 12/46
403/403

(Continued)

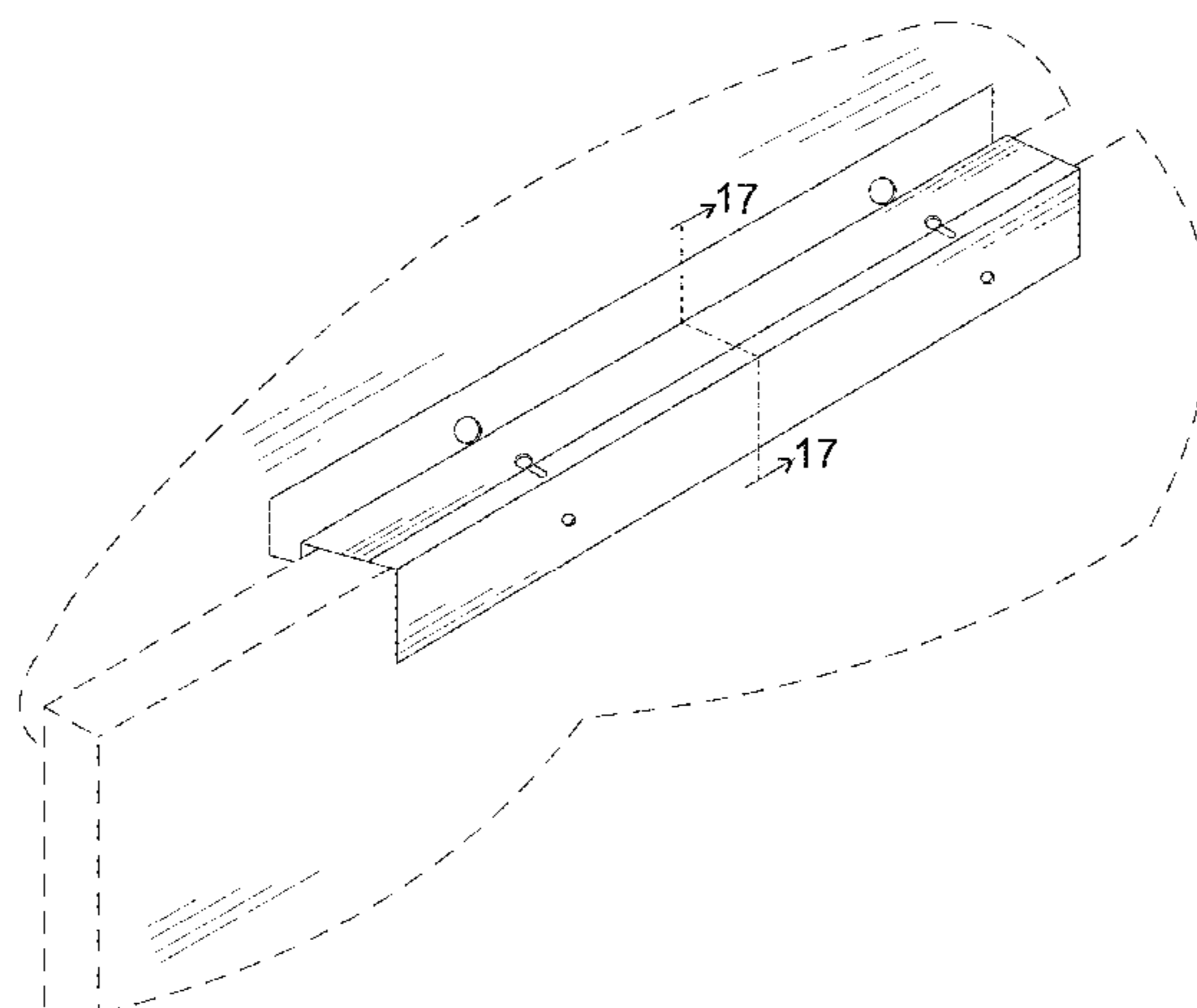
Primary Examiner — Prabhakar Deshmukh
(74) *Attorney, Agent, or Firm* — Schmeiser, Olsen & Watts LLP

(57) **CLAIM**
The ornamental design for a garage door security plate assembly, as shown and described.

DESCRIPTION

FIG. 1 is a perspective view of a garage door security plate assembly showing my new design;
 FIG. 2 is a top plan view of a door plate of a garage door security plate assembly shown separately for clarity of illustration;
 FIG. 3 is a front elevational view of FIG. 2;
 FIG. 4 is a rear elevational view of FIG. 2;
 FIG. 5 is a left side elevational view of FIG. 2;
 FIG. 6 is a right side elevational view of FIG. 2;
 FIG. 7 is a top plan view of a sliding plate of a garage door security plate assembly shown separately for clarity of illustration;
 FIG. 8 is a front elevational view of FIG. 6;
 FIG. 9 is a rear elevational view of FIG. 6;
 FIG. 10 is a left side elevational view of FIG. 6;
 FIG. 11 is a right side elevational view of FIG. 6;
 FIG. 12 is a top plan view of a rear plate of a garage door security plate assembly shown separately for clarity of illustration;
 FIG. 13 is a front elevational view of FIG. 12;
 FIG. 14 is a rear elevational view of FIG. 12;
 FIG. 15 is a left side elevational view of FIG. 12;
 FIG. 16 is a right side elevational view of FIG. 12; and,
 FIG. 17 is a sectional view taken along line 17-17 of FIG. 1. The broken lines indicate environment and forms no part of the claimed design.

1 Claim, 4 Drawing Sheets



US D760,063 S

Page 2

(56)

References Cited

D501,786 S * 2/2005 Zambon D8/343
8,631,617 B2 * 1/2014 Janesky E04B 1/7023
52/282.1

U.S. PATENT DOCUMENTS

6,739,582 B1 * 5/2004 Martin H02G 1/00
254/134.3 FT

* cited by examiner

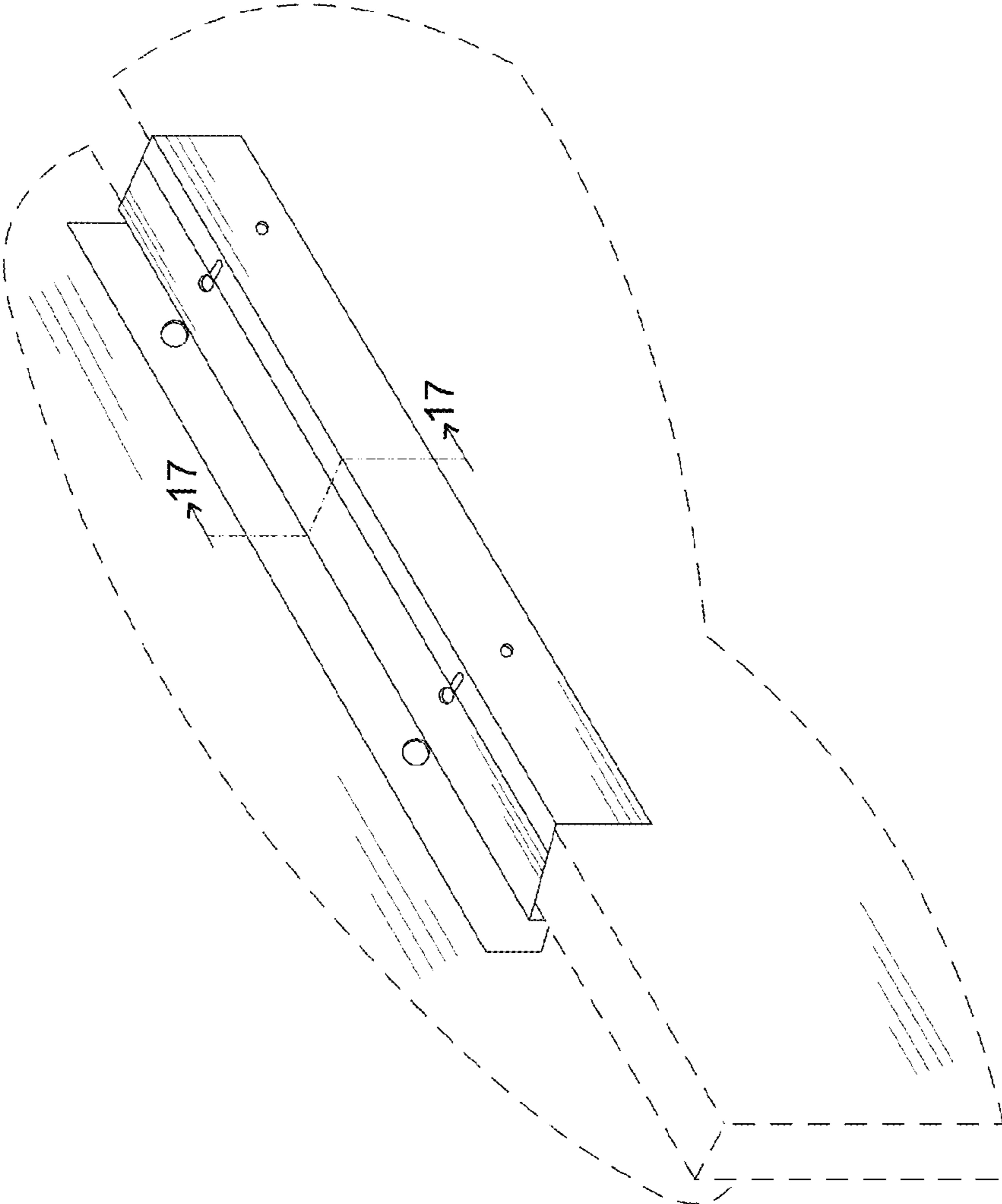


FIG. 1



FIG. 3



FIG. 5



FIG. 2



FIG. 6

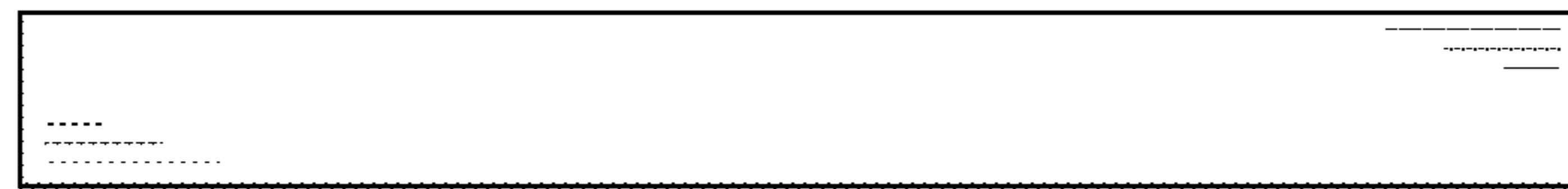


FIG. 4

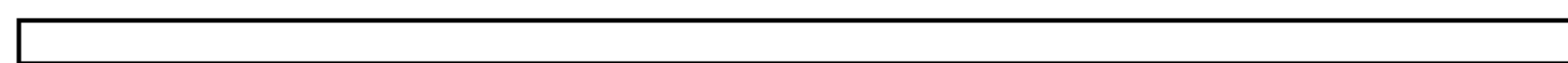


FIG. 8

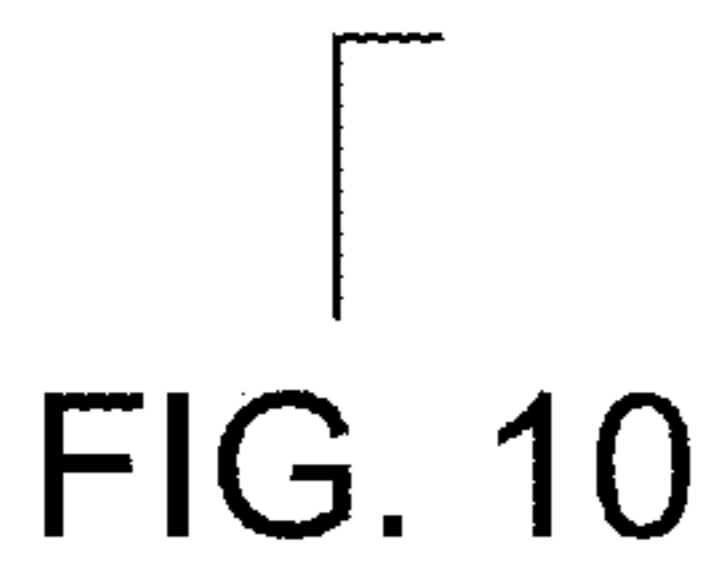


FIG. 10



FIG. 7

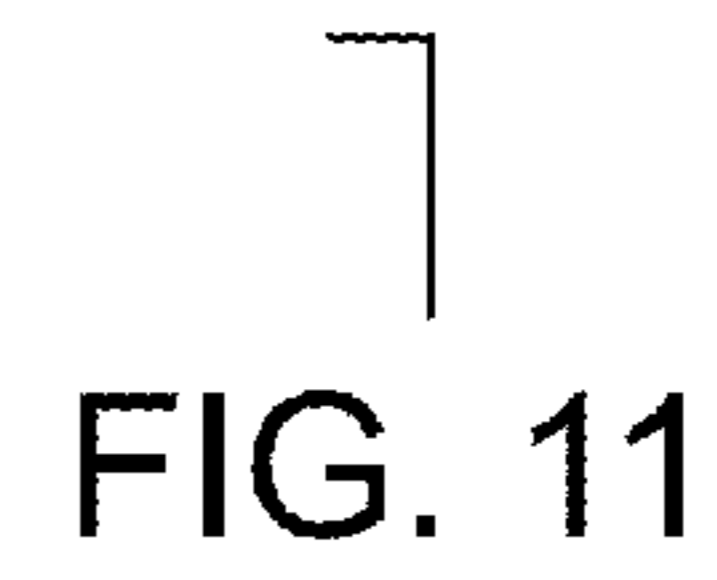


FIG. 11



FIG. 9

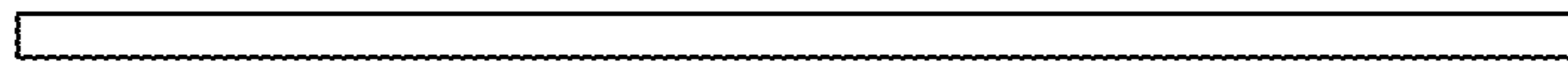


FIG. 13

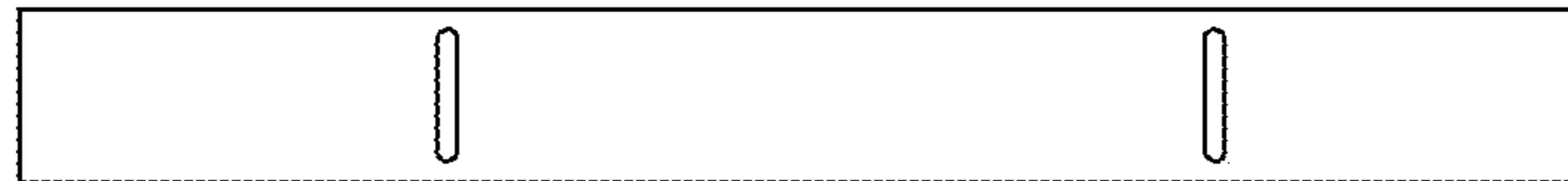


FIG. 12

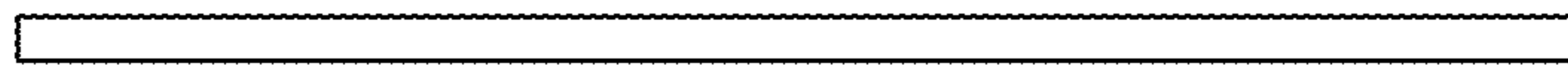


FIG. 14



FIG. 15



FIG. 16

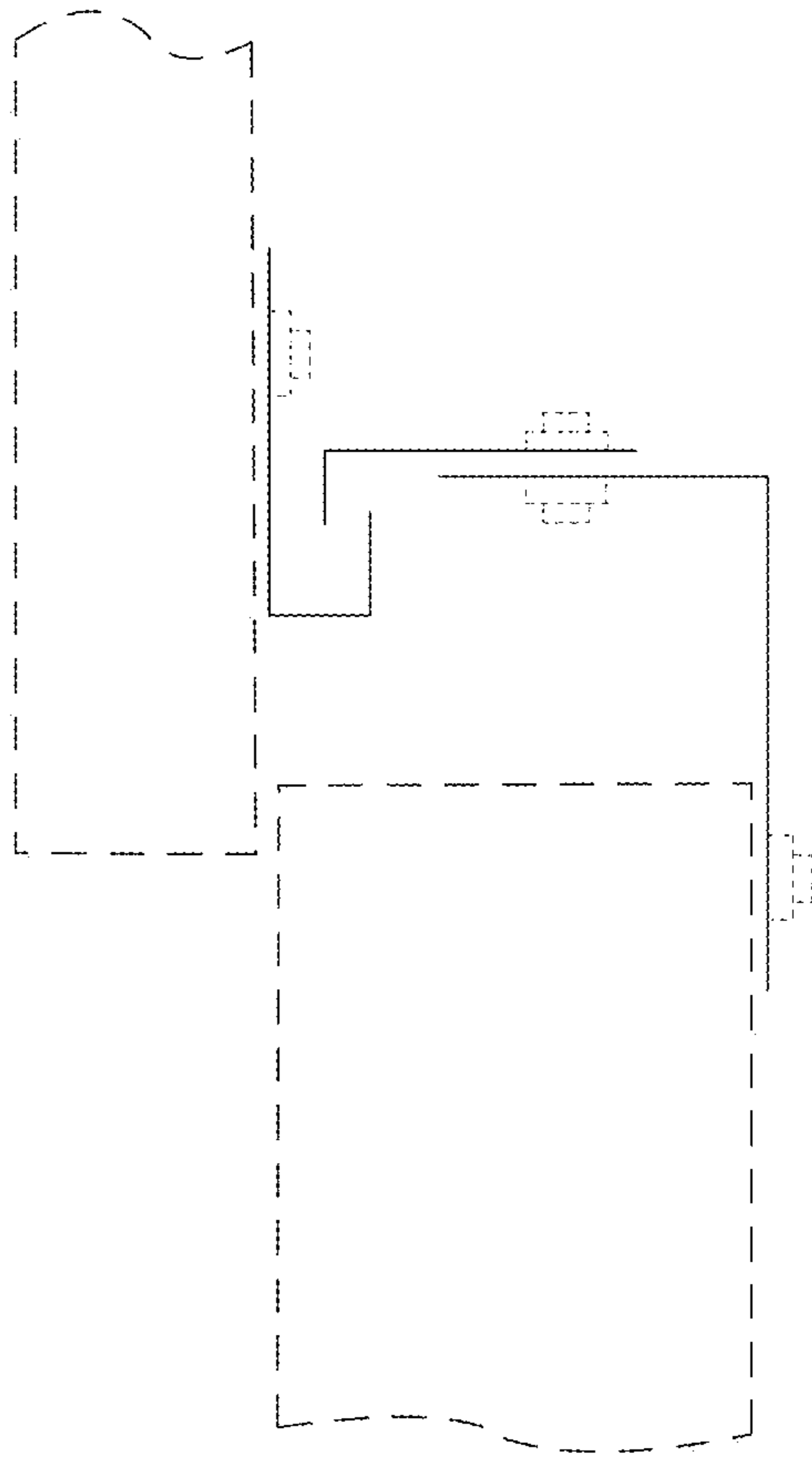


Fig. 17