



US00D760061S

(12) **United States Design Patent**
Roberts et al.

(10) **Patent No.:** **US D760,061 S**
(45) **Date of Patent:** **** Jun. 28, 2016**

(54) **LATCH HANDLE**
(71) Applicant: **Phoenix U.S.A., Inc.**, Cookeville, TN (US)
(72) Inventors: **Barry L. Roberts**, Cookeville, TN (US); **John L. Bella**, Cookeville, TN (US)
(**) Term: **14 Years**

D624,800 S 10/2010 Burns
D644,911 S 9/2011 Le
D700,824 S 3/2014 Arthurs et al.
D704,526 S 5/2014 Weinerman et al.
D722,860 S * 2/2015 Linares D8/331
D738,702 S * 9/2015 Linares D8/331
D747,639 S * 1/2016 Linares D8/331
2005/0183478 A1 * 8/2005 Straka E05B 13/10
70/208

(21) Appl. No.: **29/523,073**
(22) Filed: **Apr. 6, 2015**
(51) **LOC (10) Cl.** **08-07**
(52) **U.S. Cl.**
USPC **D8/331**
(58) **Field of Classification Search**
USPC D8/330, 331, 335, 339, 302, 343;
70/141, 208; 292/336.3, 169, 358, 359,
292/170, 175, 165, 224, 140-145, 240-242,
292/DIG. 14, DIG. 30, DIG. 31, DIG. 4
CPC E05C 1/12; E05C 1/02; E05C 3/12;
E05C 3/08; E05C 19/00; E05B 3/00
See application file for complete search history.

* cited by examiner

Primary Examiner — Prabhakar Deshmukh
(74) *Attorney, Agent, or Firm* — Phillip E. Walker; Bradley

(57) **CLAIM**
What is claimed is the ornamental design for a latch handle, as shown and described.

DESCRIPTION

FIG. 1 is a left front perspective view of a latch handle showing our new design, shown in closed position; FIG. 2 is a right front perspective view thereof; FIG. 3 is a front elevational view thereof; FIG. 4 is a left side elevational view thereof; FIG. 5 is a right side elevational view thereof; FIG. 6 is a top plan view thereof; FIG. 7 is a bottom plan view thereof; FIG. 8 is a rear elevational view thereof; FIG. 9 is a left front perspective view thereof, shown in an open position; FIG. 10 is a right front perspective view of FIG. 9; FIG. 11 is a front elevational view of FIG. 9; FIG. 12 is a rear elevational view of FIG. 9; FIG. 13 is a left side elevational view of FIG. 9; FIG. 14 is a right side elevational view of FIG. 9; FIG. 15 is a top plan view of FIG. 9; and, FIG. 16 is a bottom plan view of FIG. 9. The broken lines environment is for illustrative purpose only and forms no part of the claimed design.

(56) **References Cited**
U.S. PATENT DOCUMENTS
4,706,478 A * 11/1987 Swan E05B 5/00
292/336.3
D314,131 S 1/1991 Russell et al.
D323,776 S * 2/1992 Hansen D8/306
5,984,383 A * 11/1999 Parikh E05B 1/0092
292/121
D427,882 S * 7/2000 Wytcherley D8/331
D545,667 S * 7/2007 Weinerman D8/331
D546,165 S 7/2007 Paige et al.
D567,061 S 4/2008 Paige et al.
D578,373 S 10/2008 Paige et al.
7,454,933 B1 11/2008 Paige et al.
D590,694 S * 4/2009 Stuckey D8/331
7,748,246 B1 7/2010 Paige et al.

1 Claim, 6 Drawing Sheets

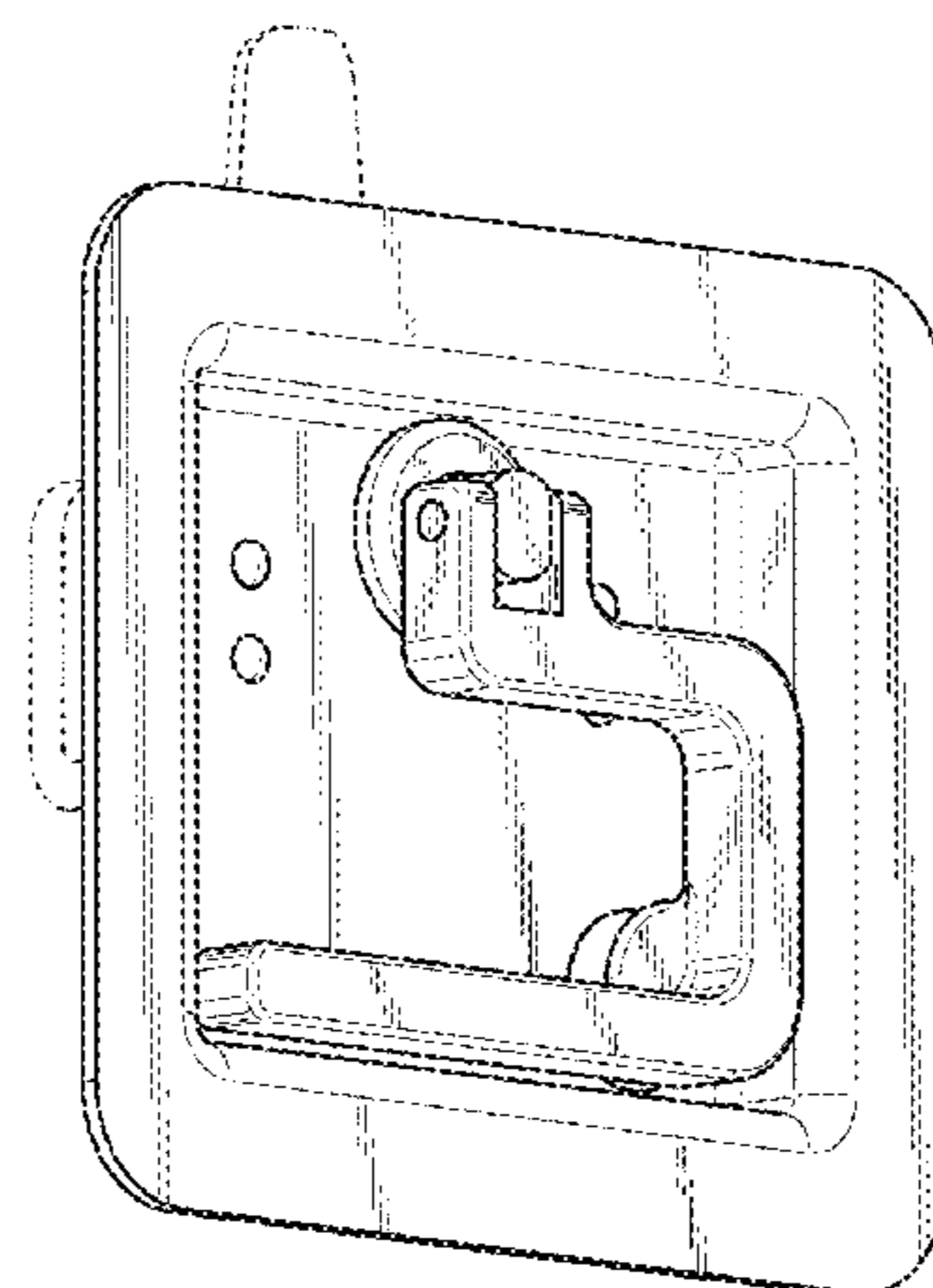


FIG. 1

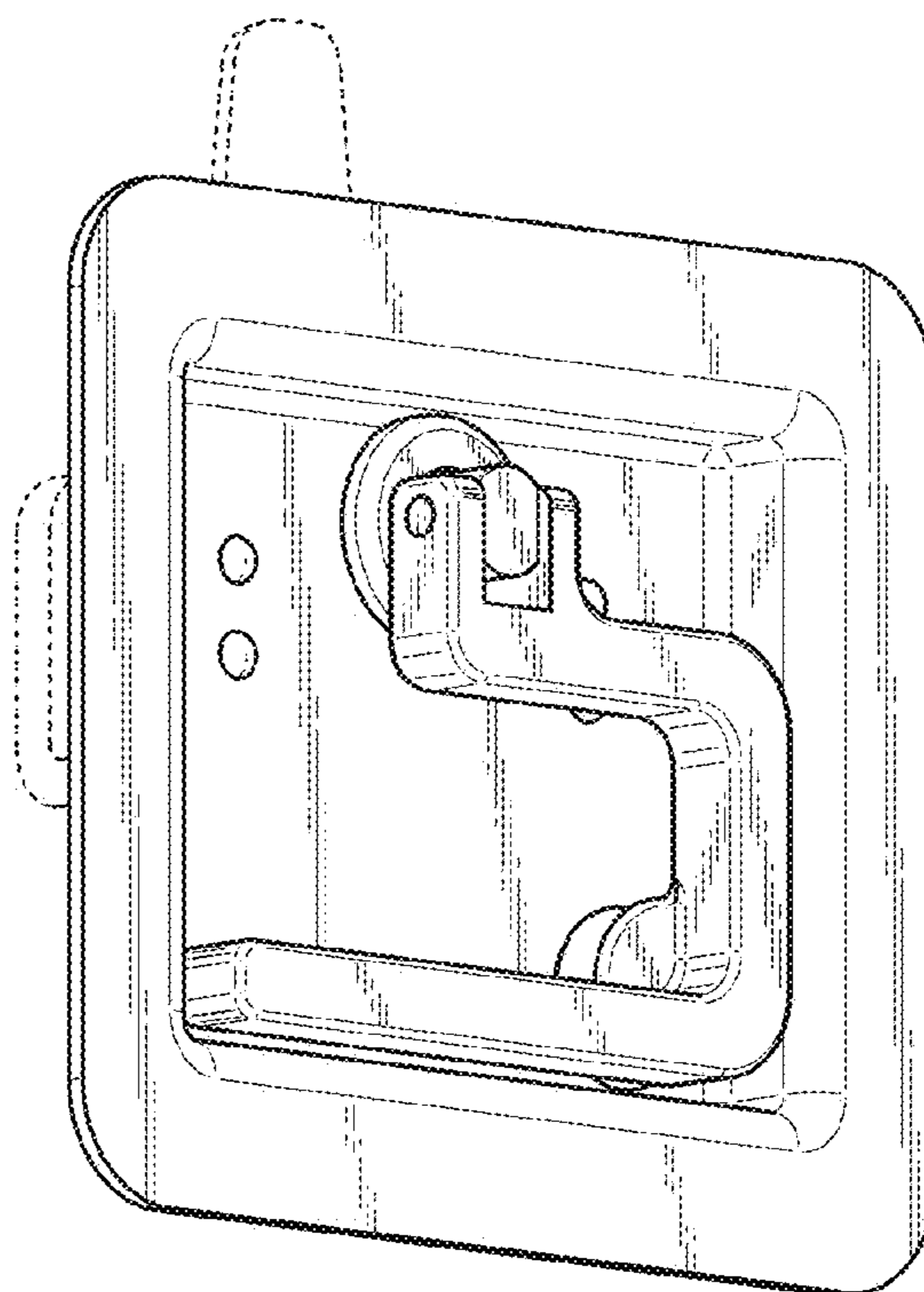
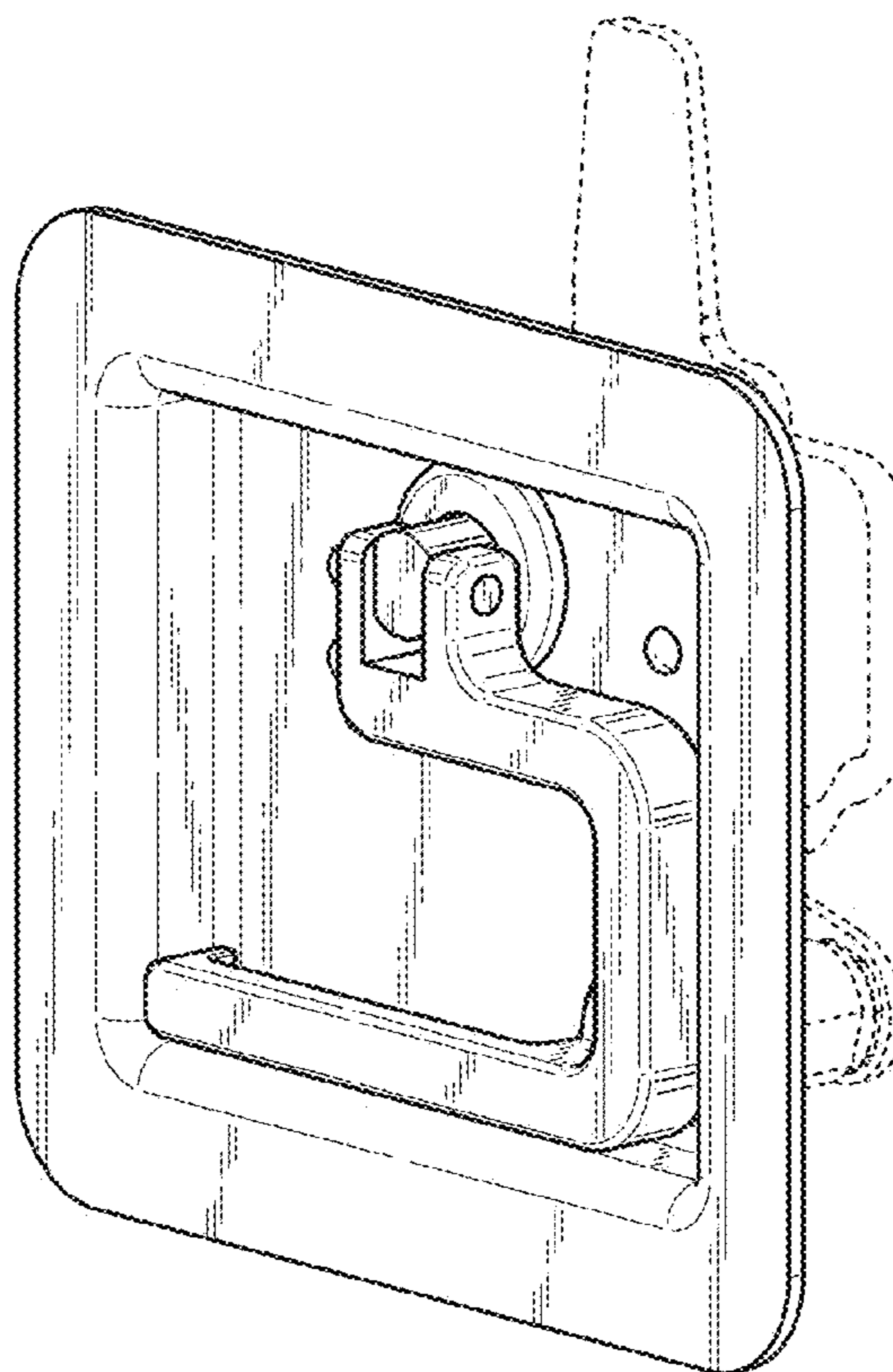


FIG. 2



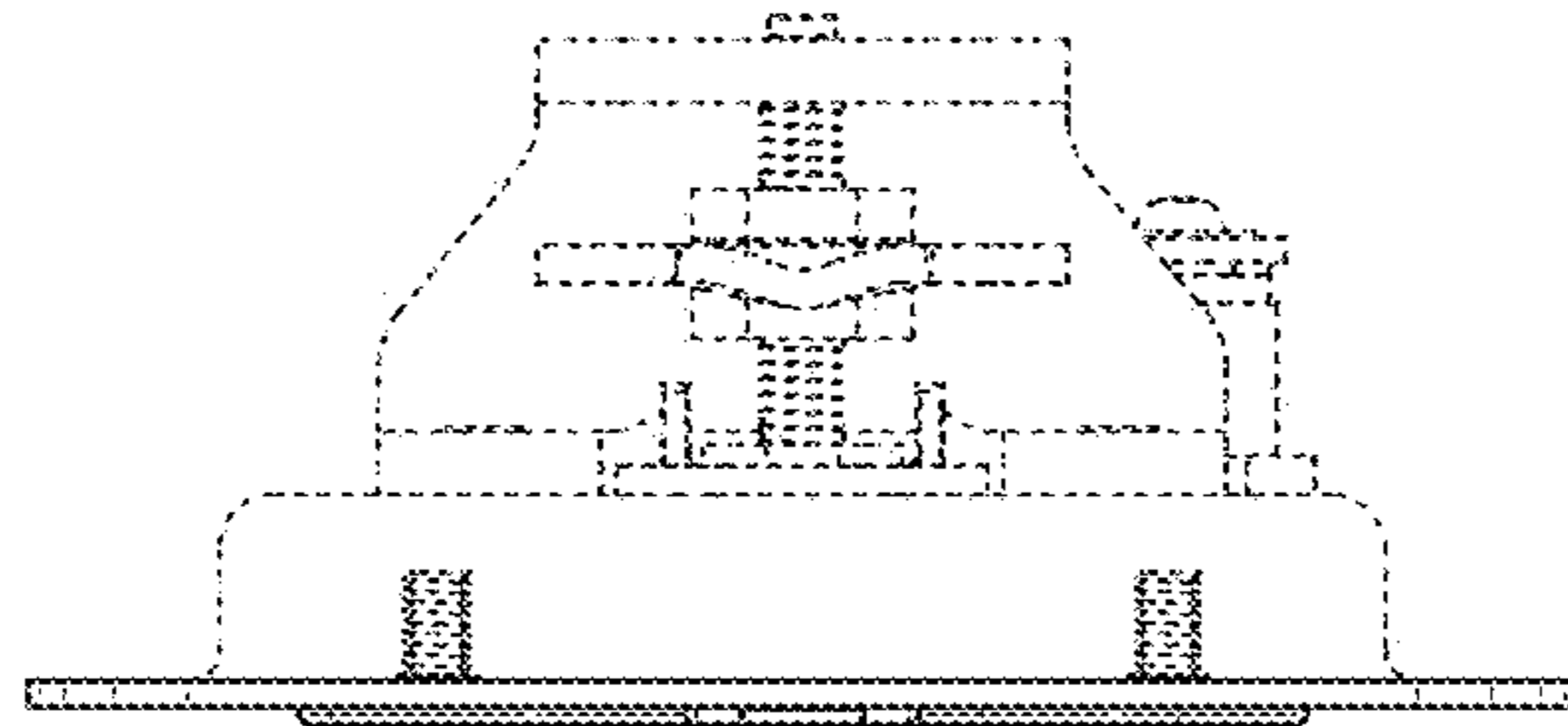


FIG. 6

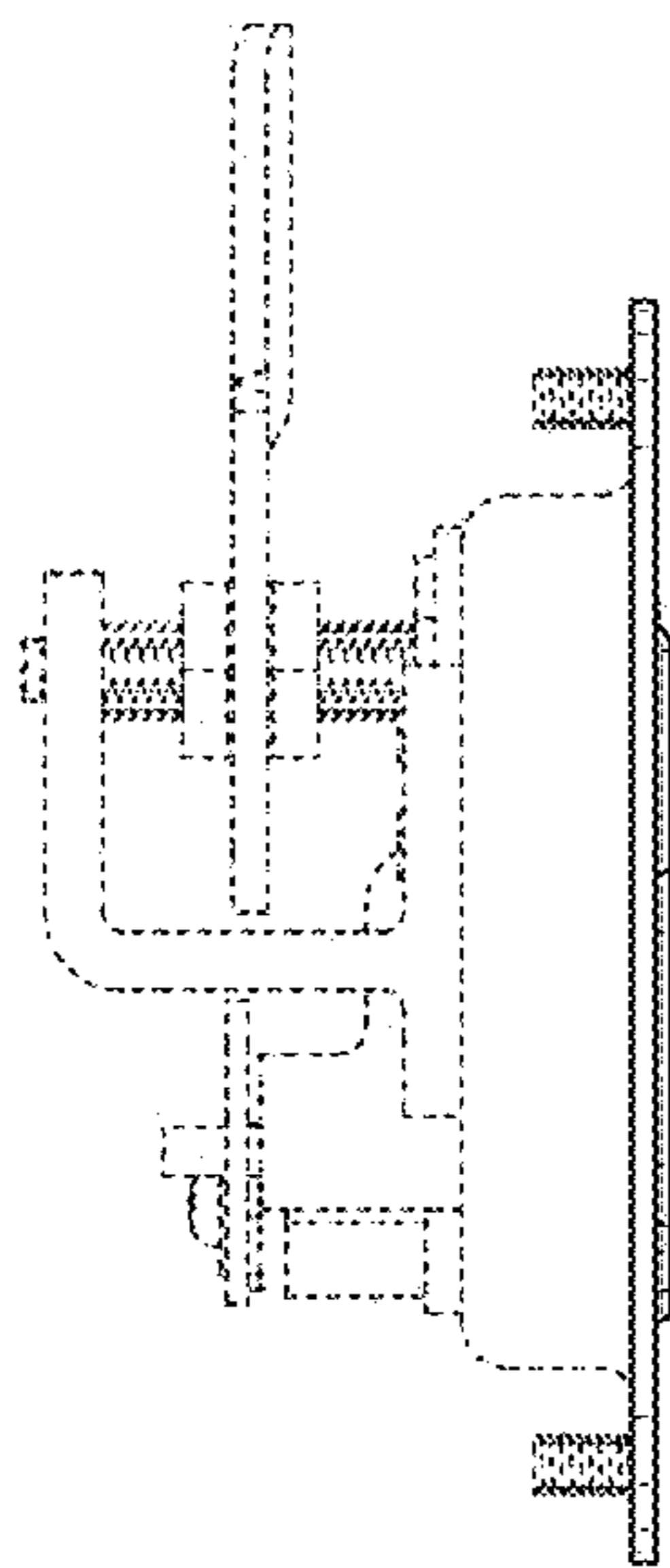


FIG. 4

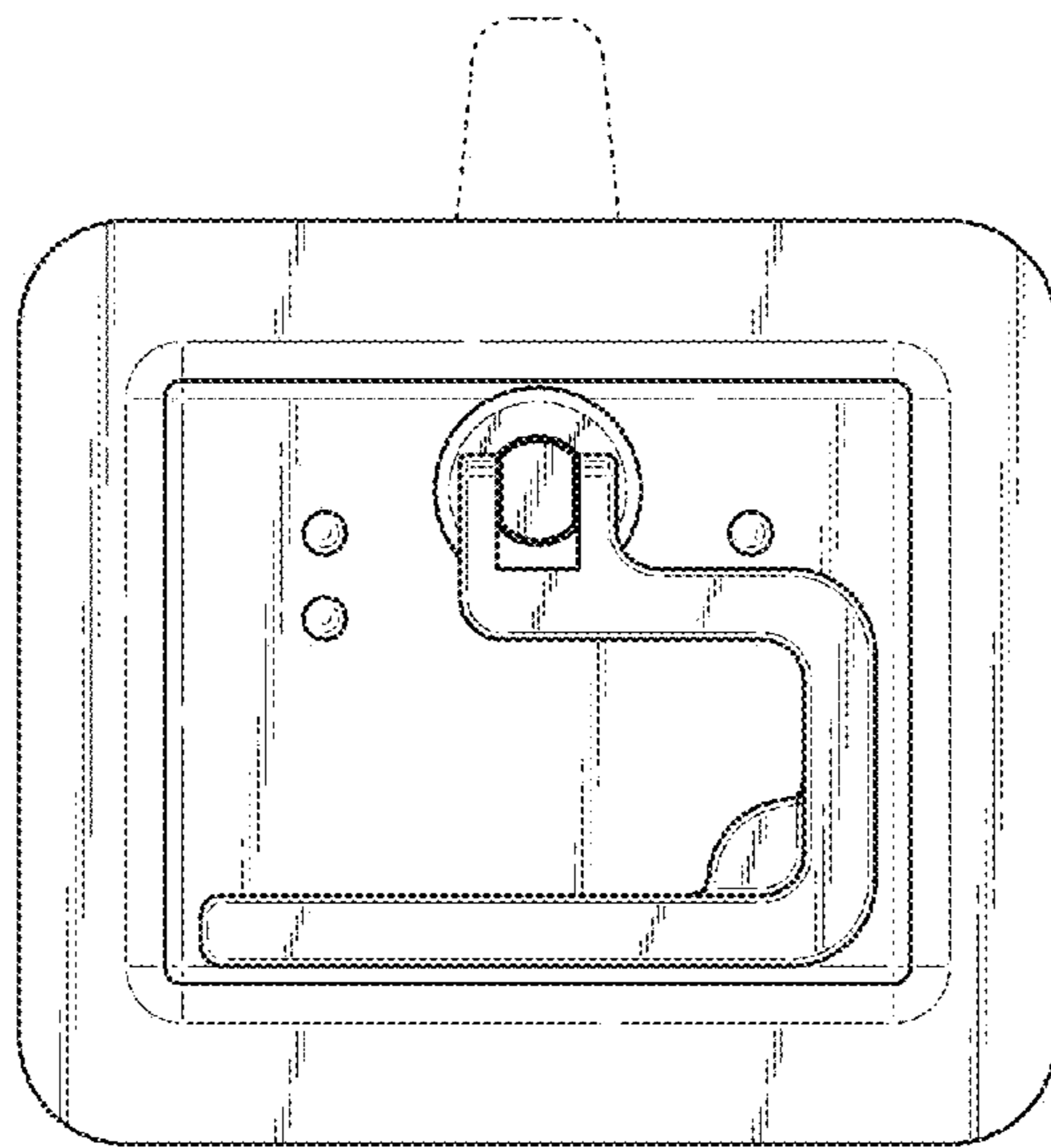


FIG. 3

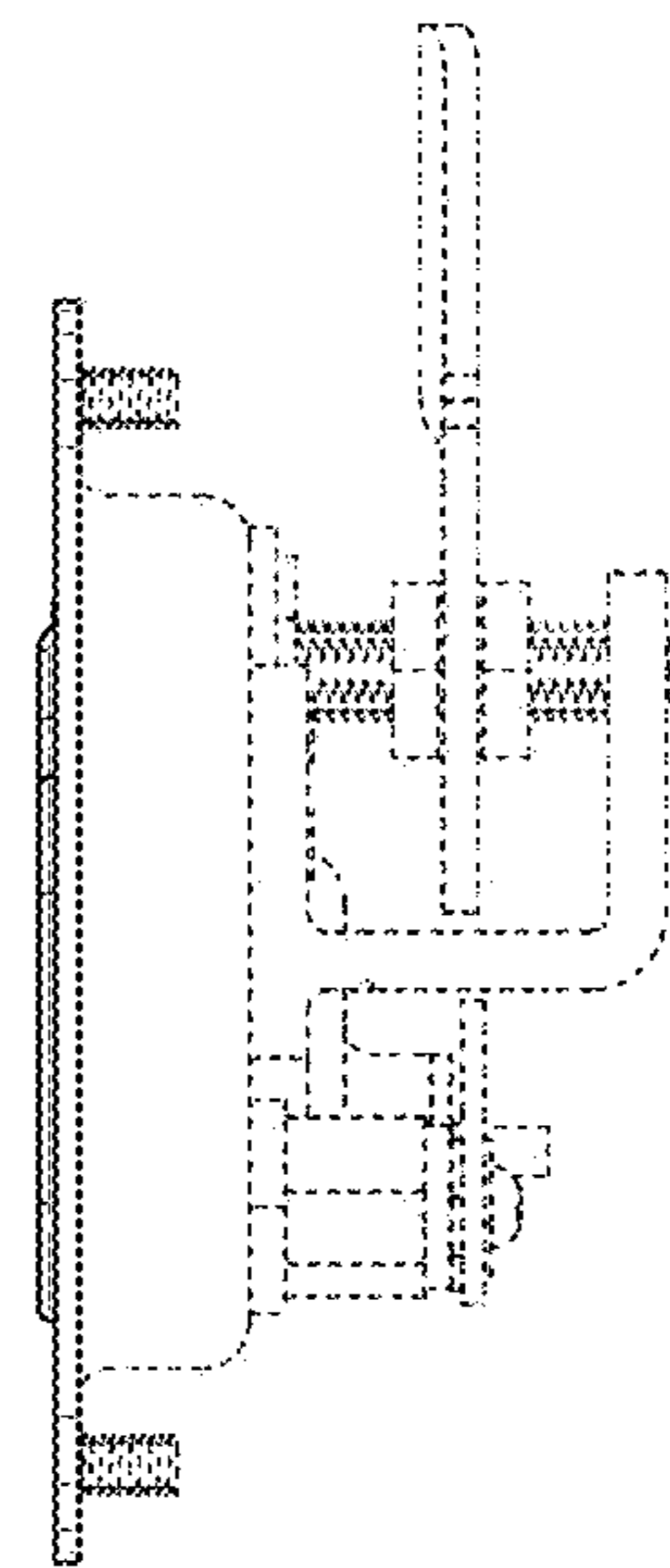


FIG. 5

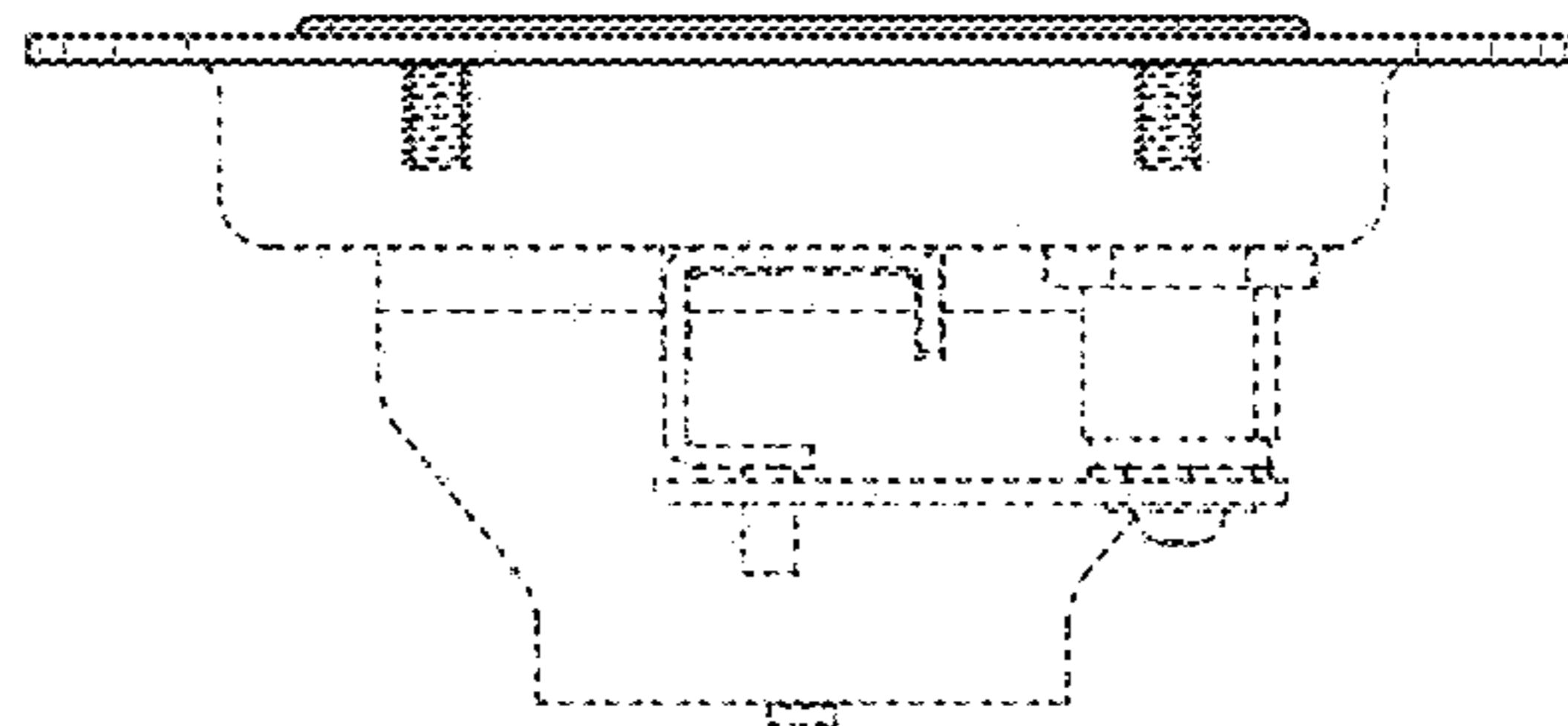


FIG. 7

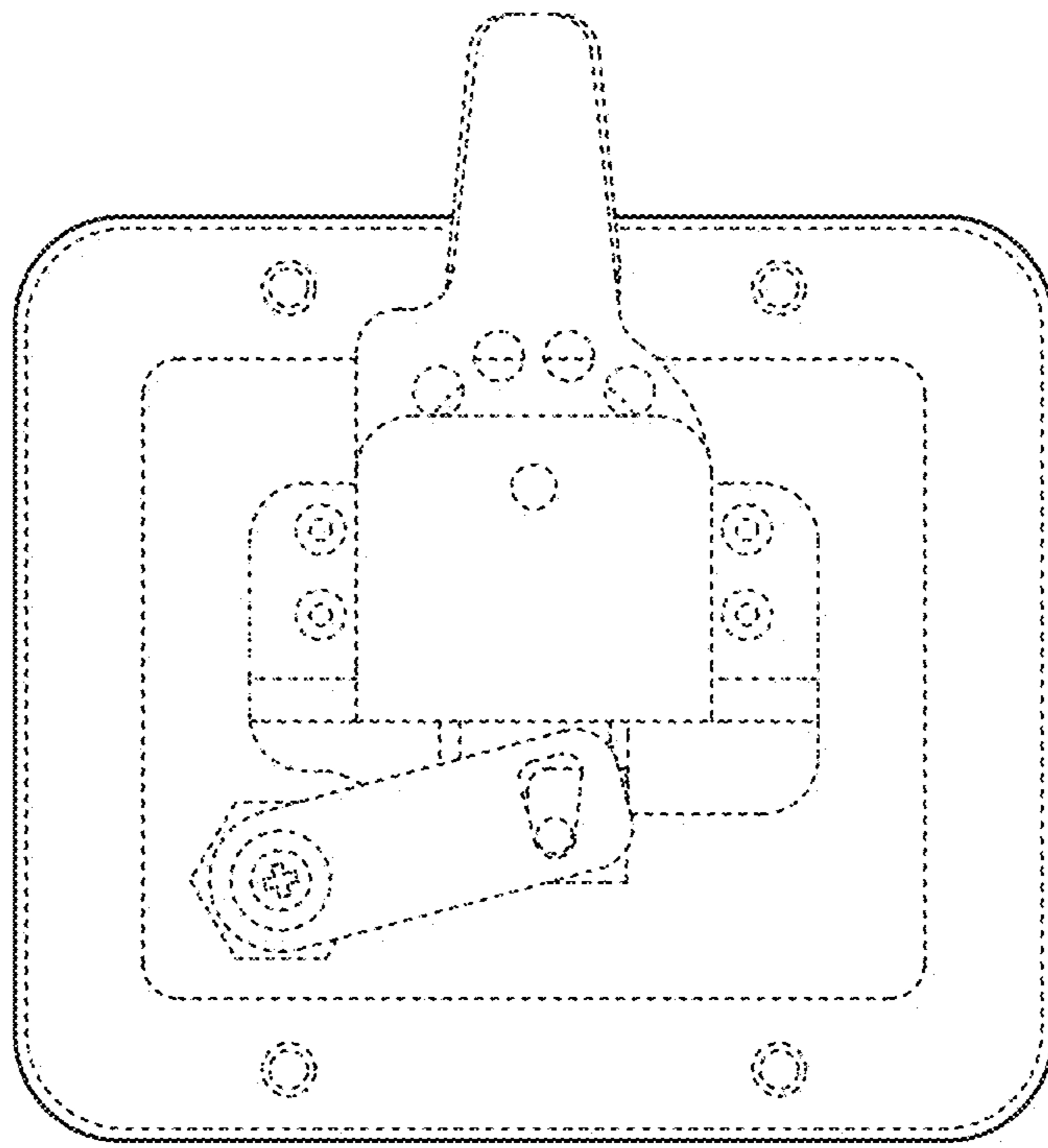


FIG. 8

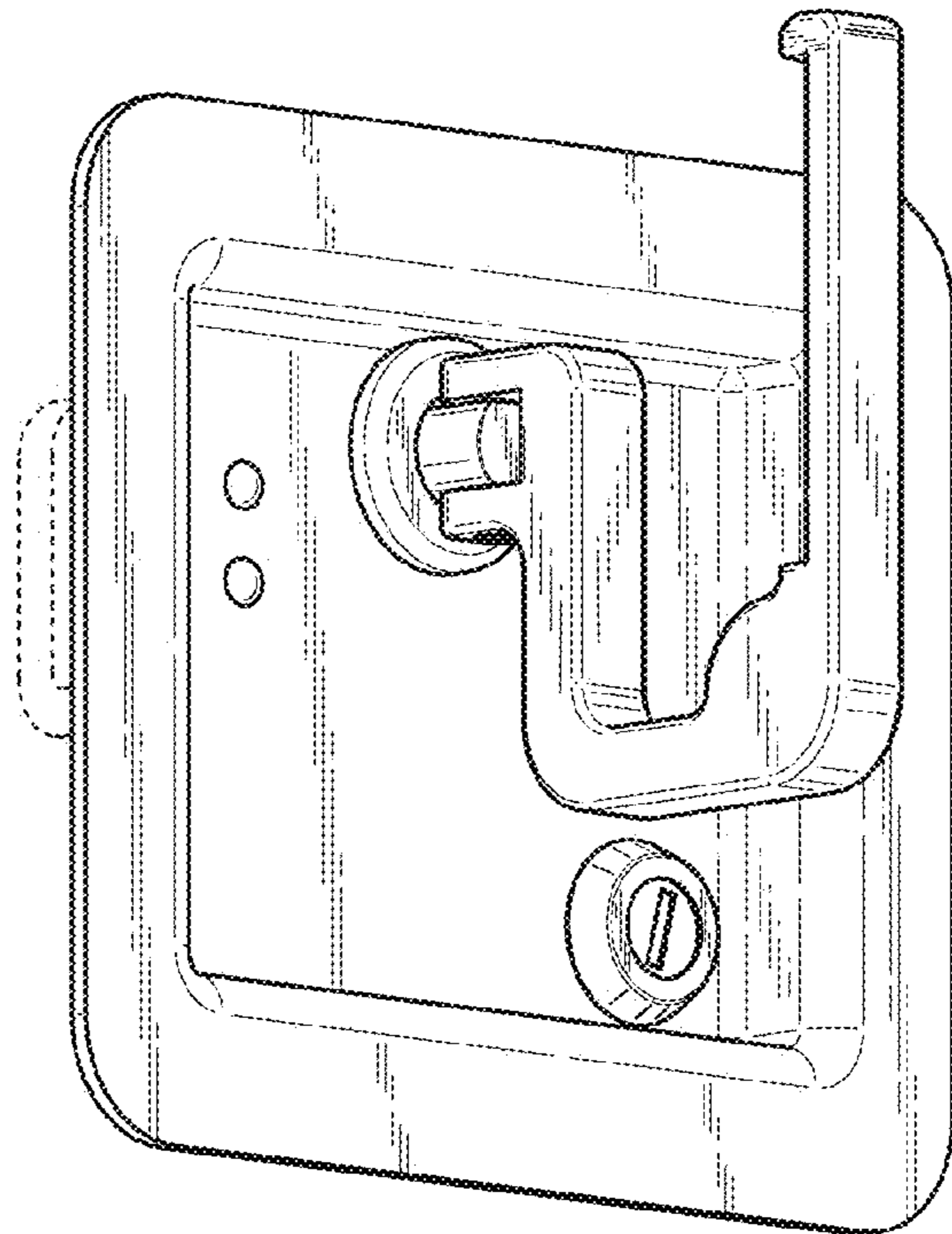


FIG. 9

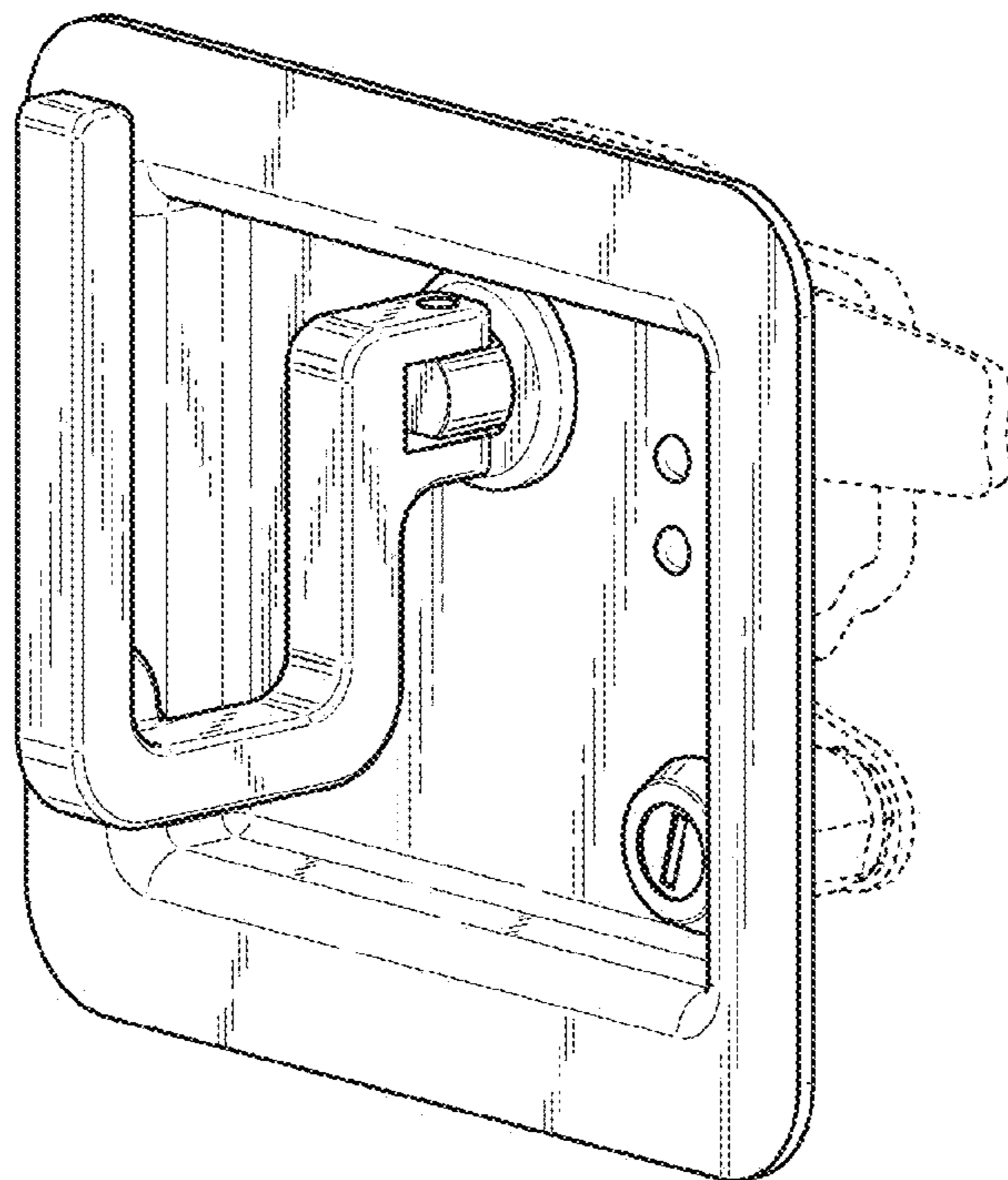


FIG. 10

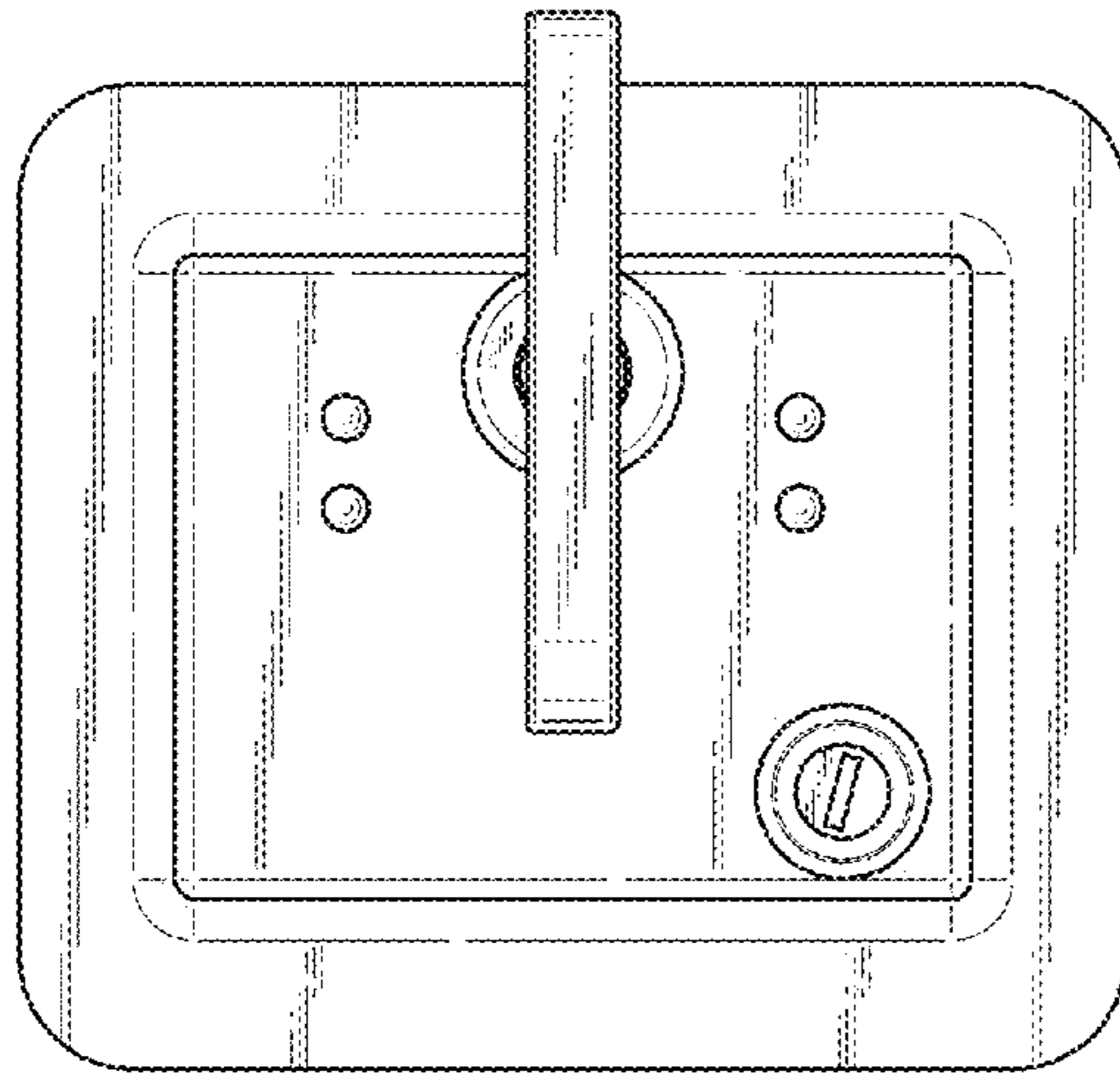


FIG. 11

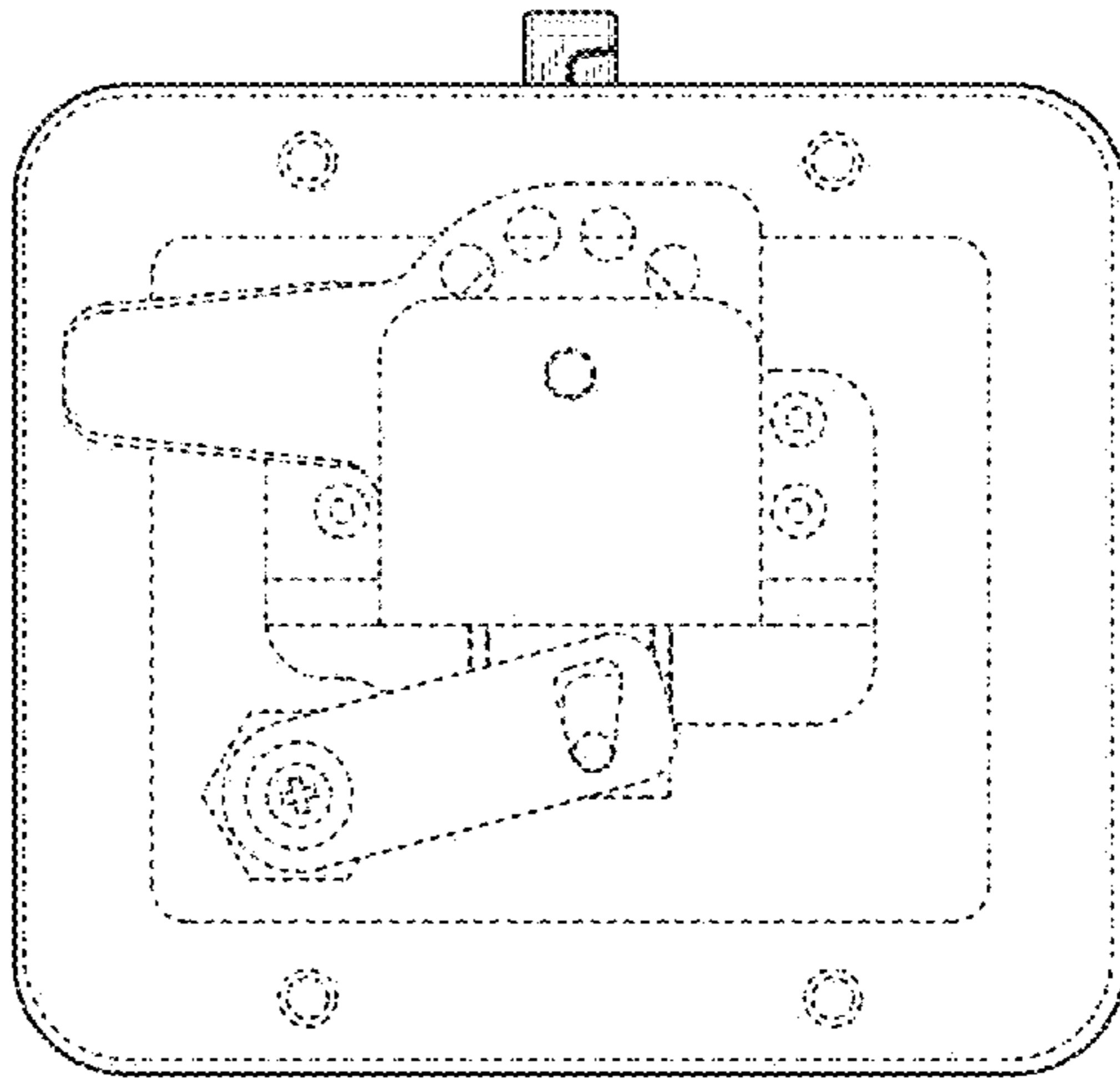


FIG. 12

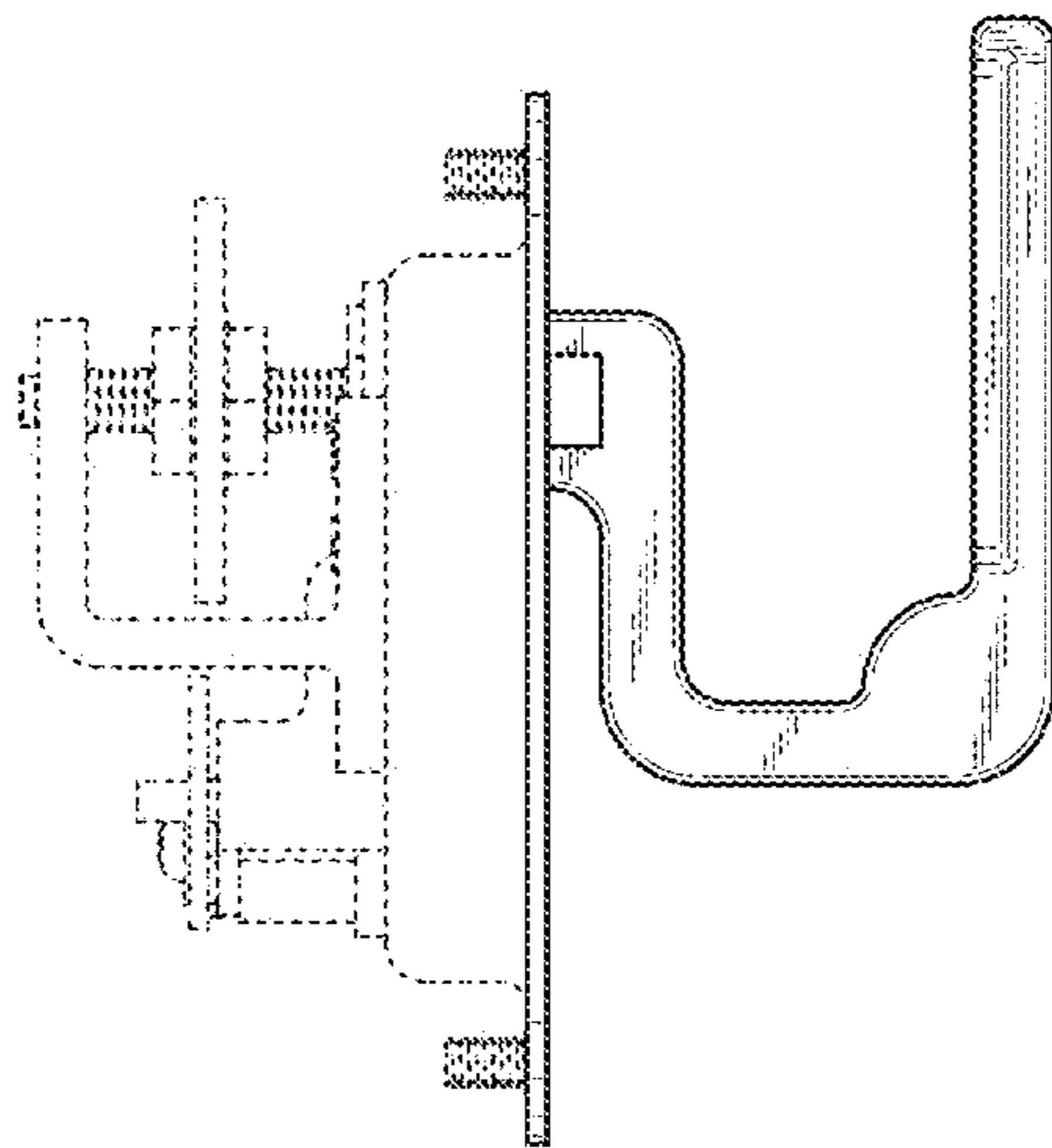


FIG. 13

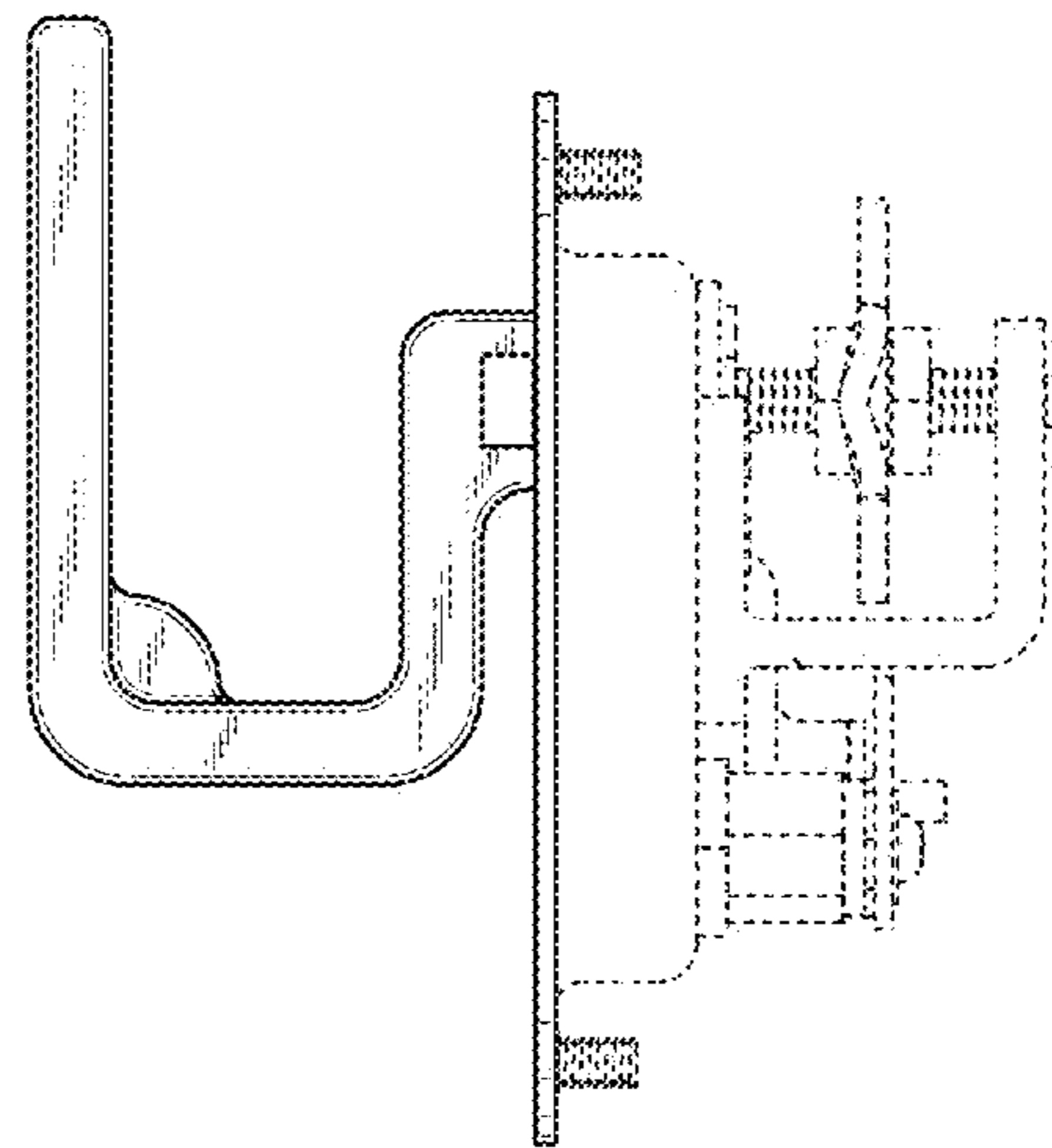


FIG. 14

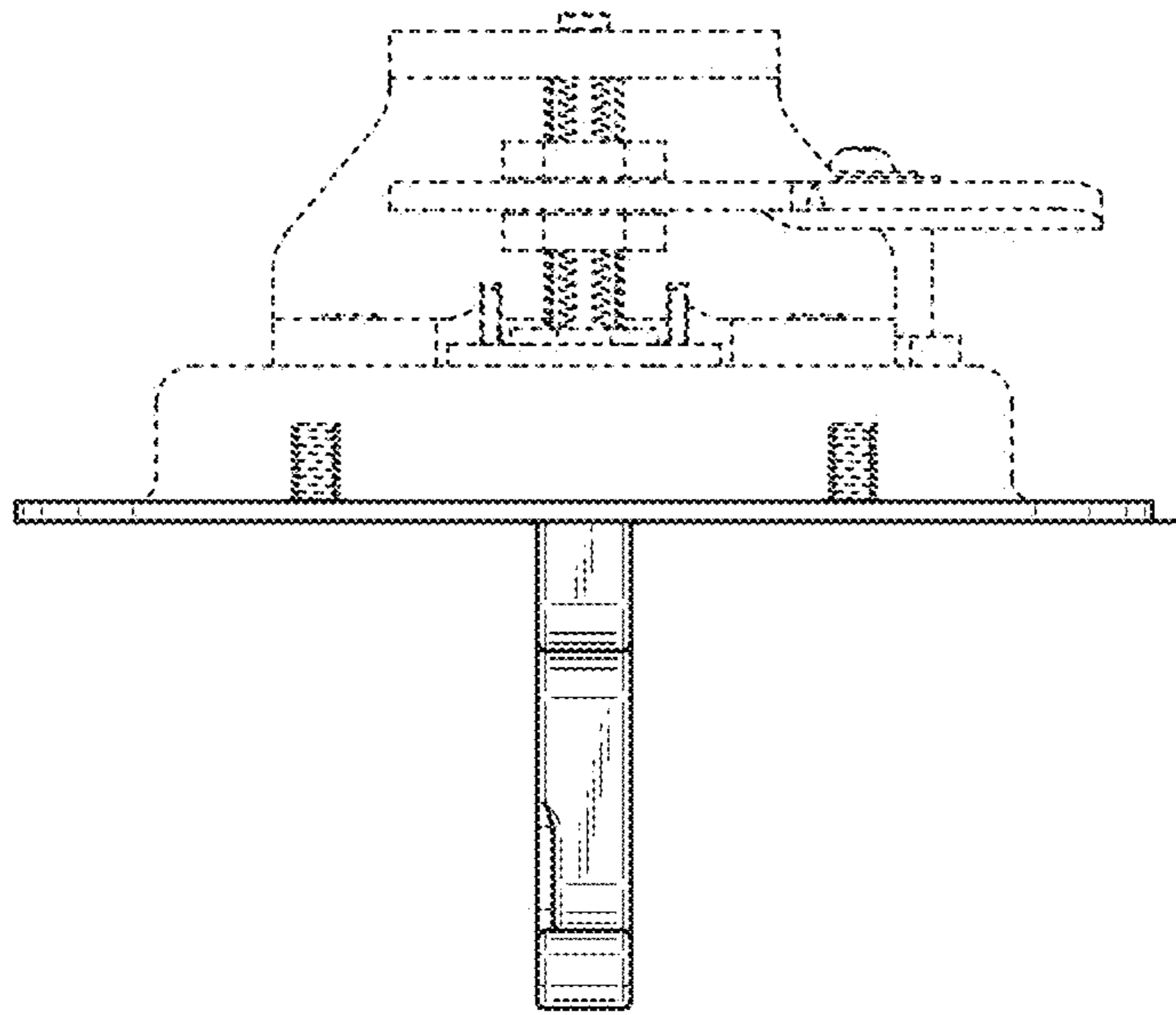


FIG. 15

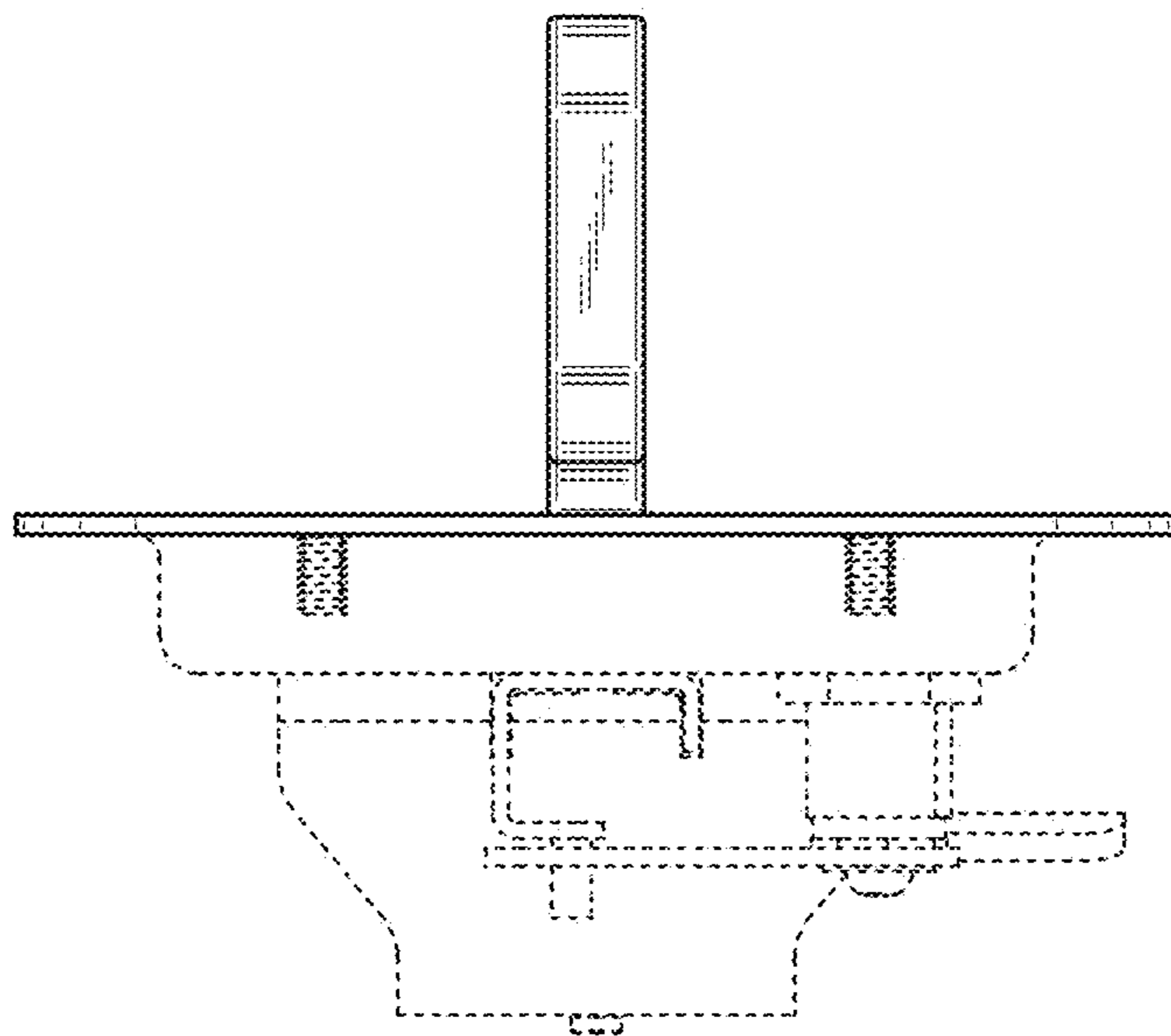


FIG. 16