



US00D760060S

(12) **United States Design Patent**  
**Groleski**

(10) **Patent No.:** **US D760,060 S**  
(45) **Date of Patent:** **\*\* Jun. 28, 2016**

(54) **DECORATIVE HEAVY DUTY DOOR CLOSER BODY**

(71) Applicant: **Schlage Lock Company LLC**,  
Indianapolis, IN (US)

(72) Inventor: **Autumn A. Groleski**, Noblesville, IN  
(US)

(73) Assignee: **Schlage Lock Company LLC**,  
Indianapolis, IN (US)

(\*\*) Term: **14 Years**

(21) Appl. No.: **29/523,961**

(22) Filed: **Apr. 15, 2015**

(51) **LOC (10) Cl.** ..... **08-07**

(52) **U.S. Cl.**  
USPC ..... **D8/330**

(58) **Field of Classification Search**  
USPC ..... D8/330, 343; 16/49–51, 59, 62, 71, 82,  
16/DIG. 7, 79; 292/201, 144, 92, 339,  
292/DIG. 19  
CPC ..... F05F 11/24; E05F 3/04; E05F 3/14;  
E05F 15/20  
See application file for complete search history.

(56) **References Cited**

**U.S. PATENT DOCUMENTS**

- 3,777,423 A \* 12/1973 Coulter ..... A62C 2/12  
16/48.5
- 4,086,681 A \* 5/1978 Nakanishi ..... E05F 3/00  
16/49
- 4,231,334 A \* 11/1980 Peter ..... F02D 41/1443  
123/691
- 4,314,722 A \* 2/1982 Logan, Jr. .... E05B 65/1046  
292/263
- 5,265,306 A \* 11/1993 Yu ..... E05F 3/10  
16/51

- D429,477 S \* 8/2000 Williams ..... D12/590
- D438,088 S \* 2/2001 Tomlinson ..... D8/330
- 6,421,876 B1 \* 7/2002 Ginzel ..... E05F 3/00  
16/59
- D493,352 S \* 7/2004 Homberg ..... D8/330
- D578,862 S \* 10/2008 James ..... D8/330
- D682,655 S \* 5/2013 Webb ..... D8/330
- D739,705 S \* 9/2015 Stanton ..... D8/330
- D740,643 S \* 10/2015 Watson ..... D8/330

\* cited by examiner

*Primary Examiner* — Prabhakar Deshmukh

(74) *Attorney, Agent, or Firm* — Taft Stettinius & Hollister  
LLP

(57) **CLAIM**

The ornamental design for a decorative heavy duty door closer body, as shown and described.

**DESCRIPTION**

FIG. 1 is a upper-right front perspective view of the decorative heavy duty door closer body.

FIG. 2 is a lower-left front perspective view of the decorative heavy duty door closer body.

FIG. 3 is a front view of the decorative heavy duty door closer body.

FIG. 4 is a top view of the decorative heavy duty door closer body.

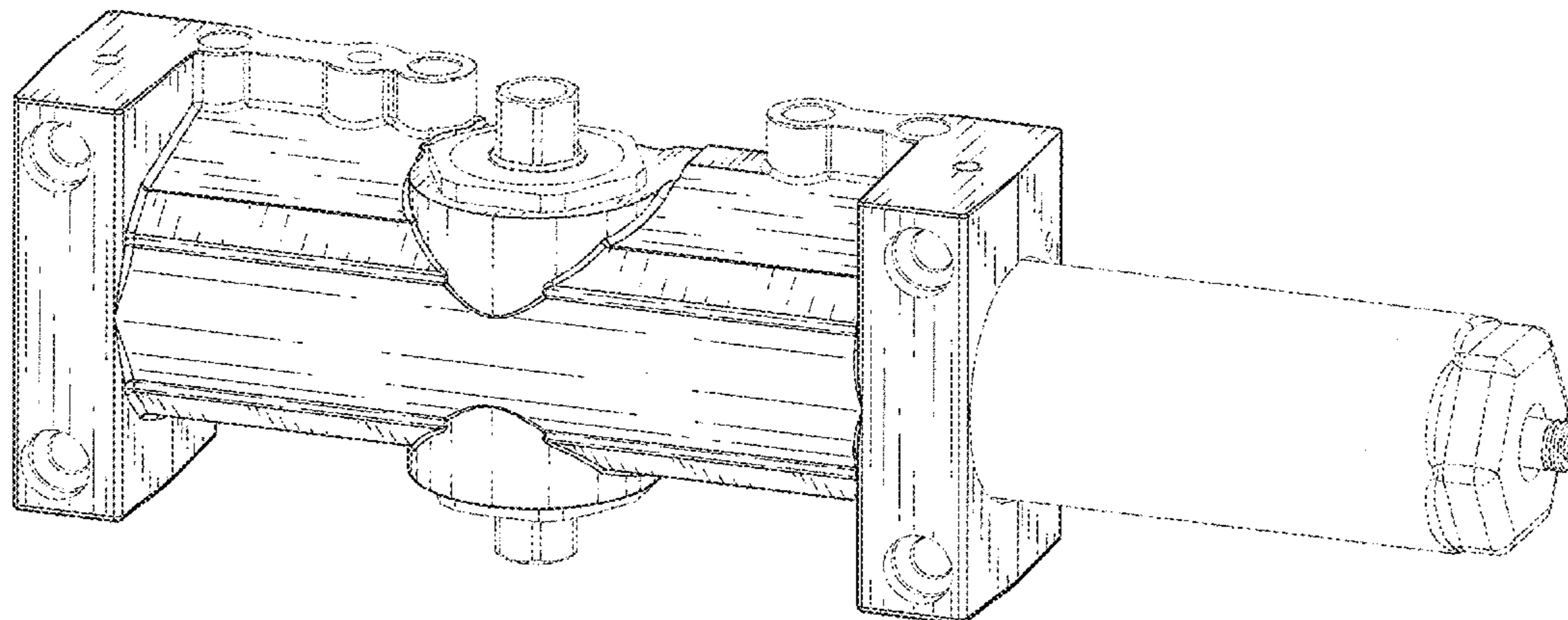
FIG. 5 is a right side view of the decorative heavy duty door closer body.

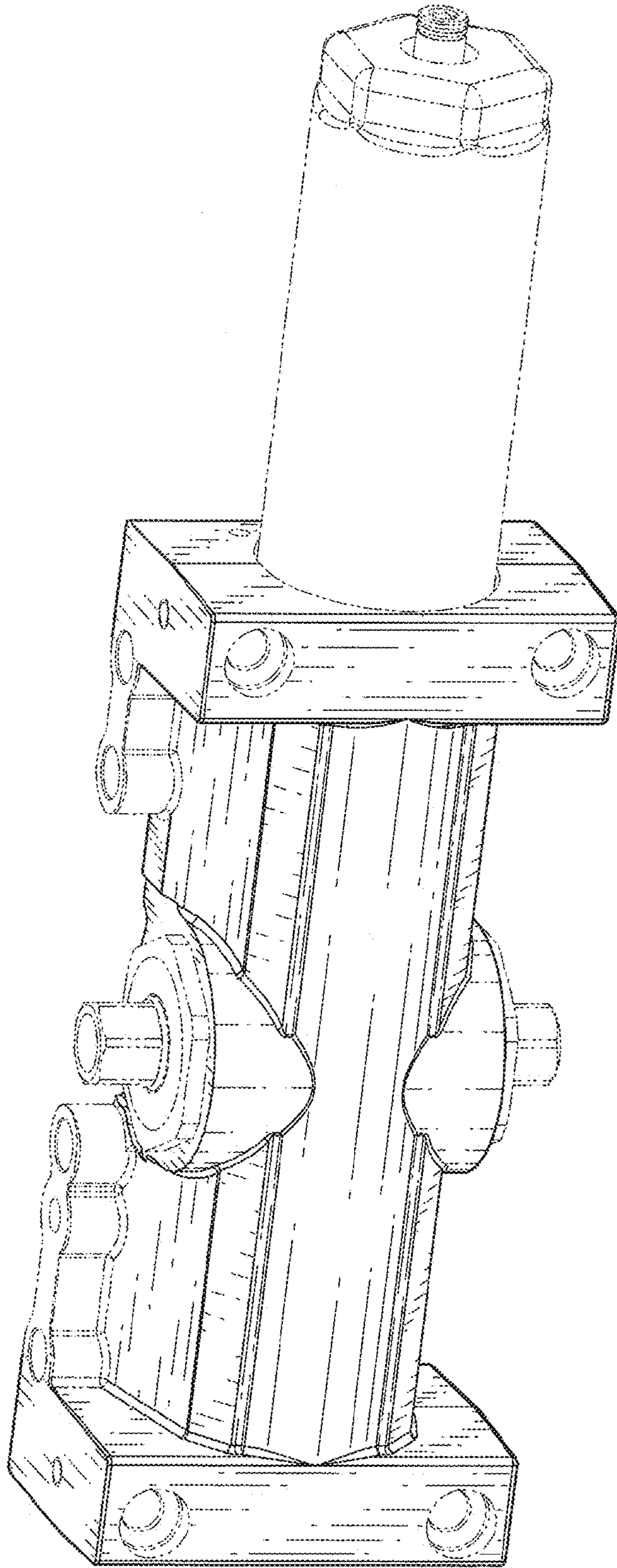
FIG. 6 is a left side view of the decorative heavy duty door closer body; and,

FIG. 7 is a bottom view of the decorative heavy duty door closer body.

The broken lines are for the purpose of showing exemplary hardware, structure and openings/apertures associated with the decorative heavy duty door closer body, and they form no part of the claimed design.

**1 Claim, 5 Drawing Sheets**





**Fig. 1**

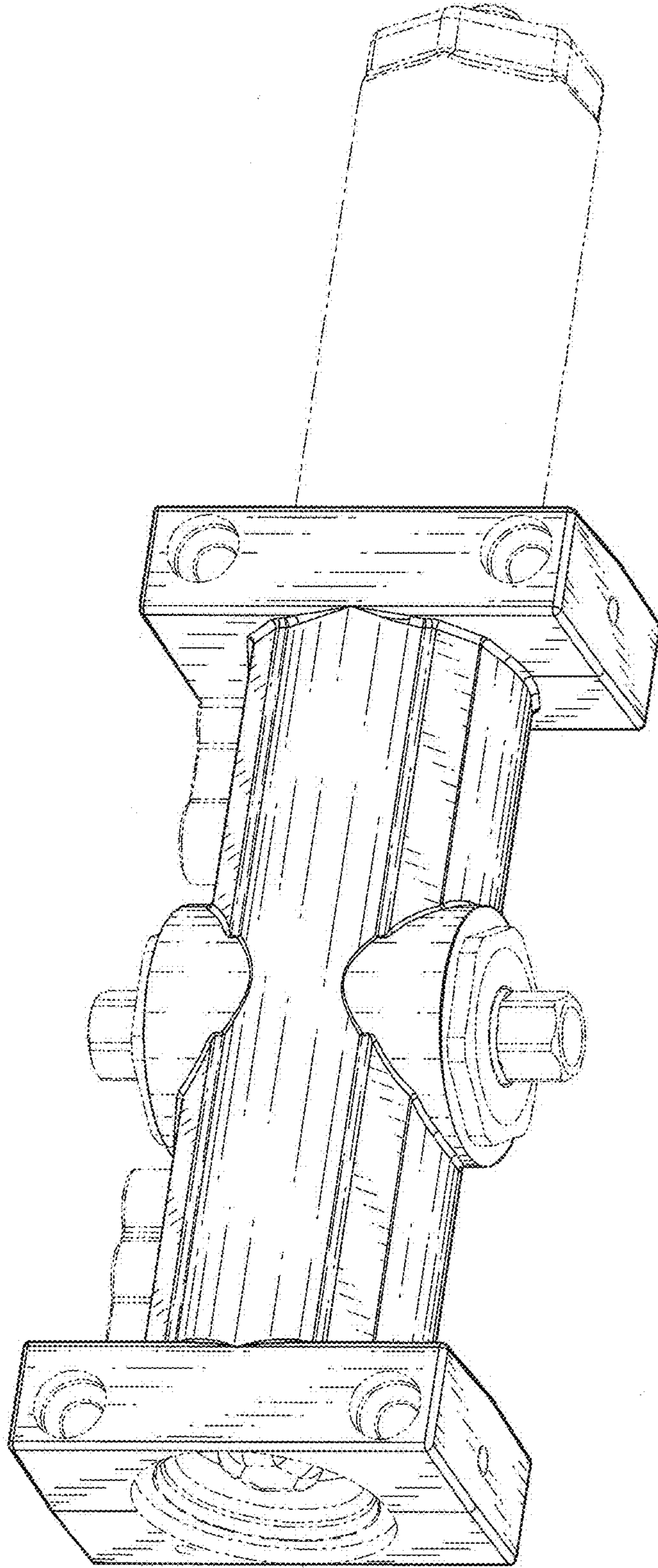


Fig. 2

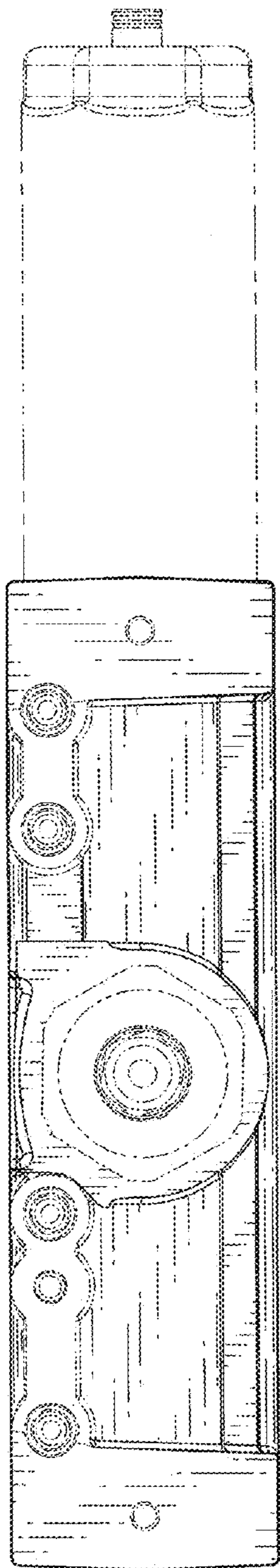


Fig. 4

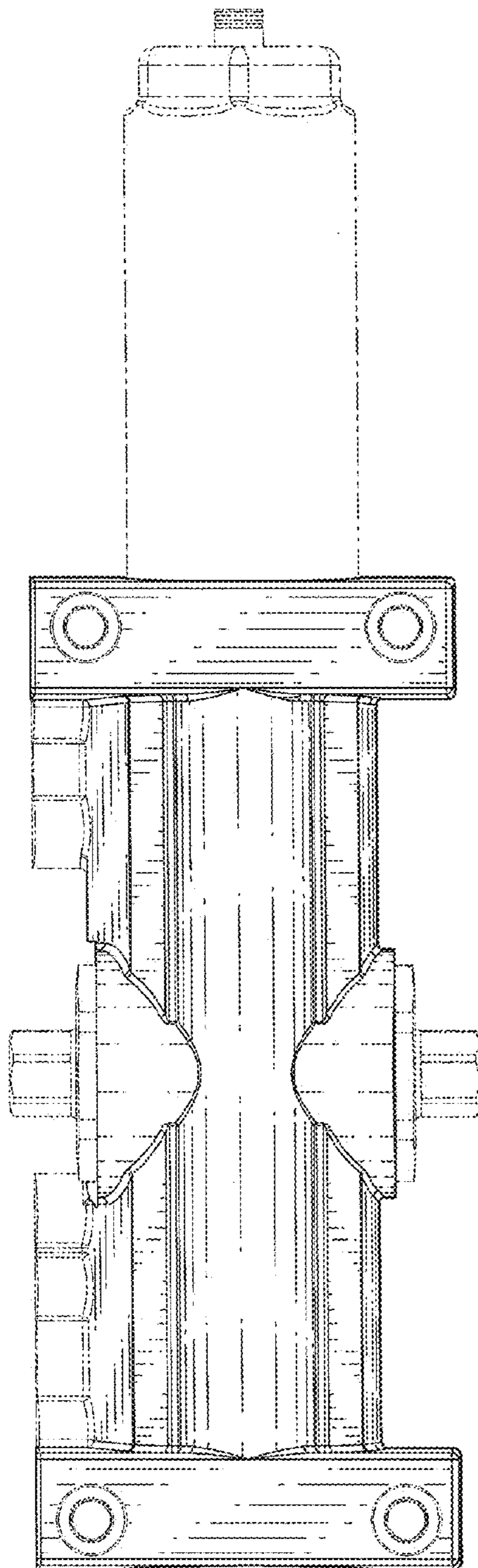


Fig. 3

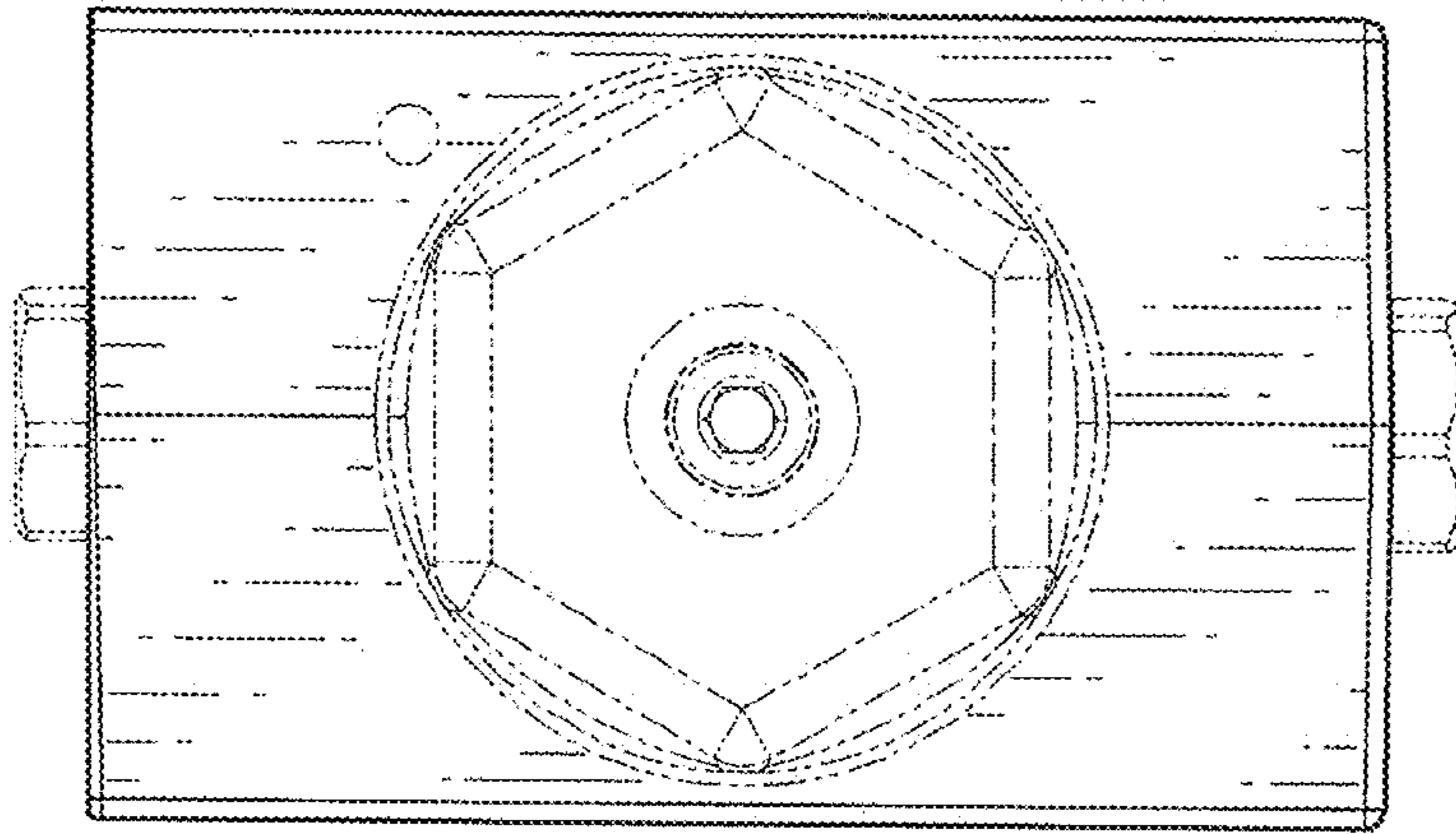


Fig. 5

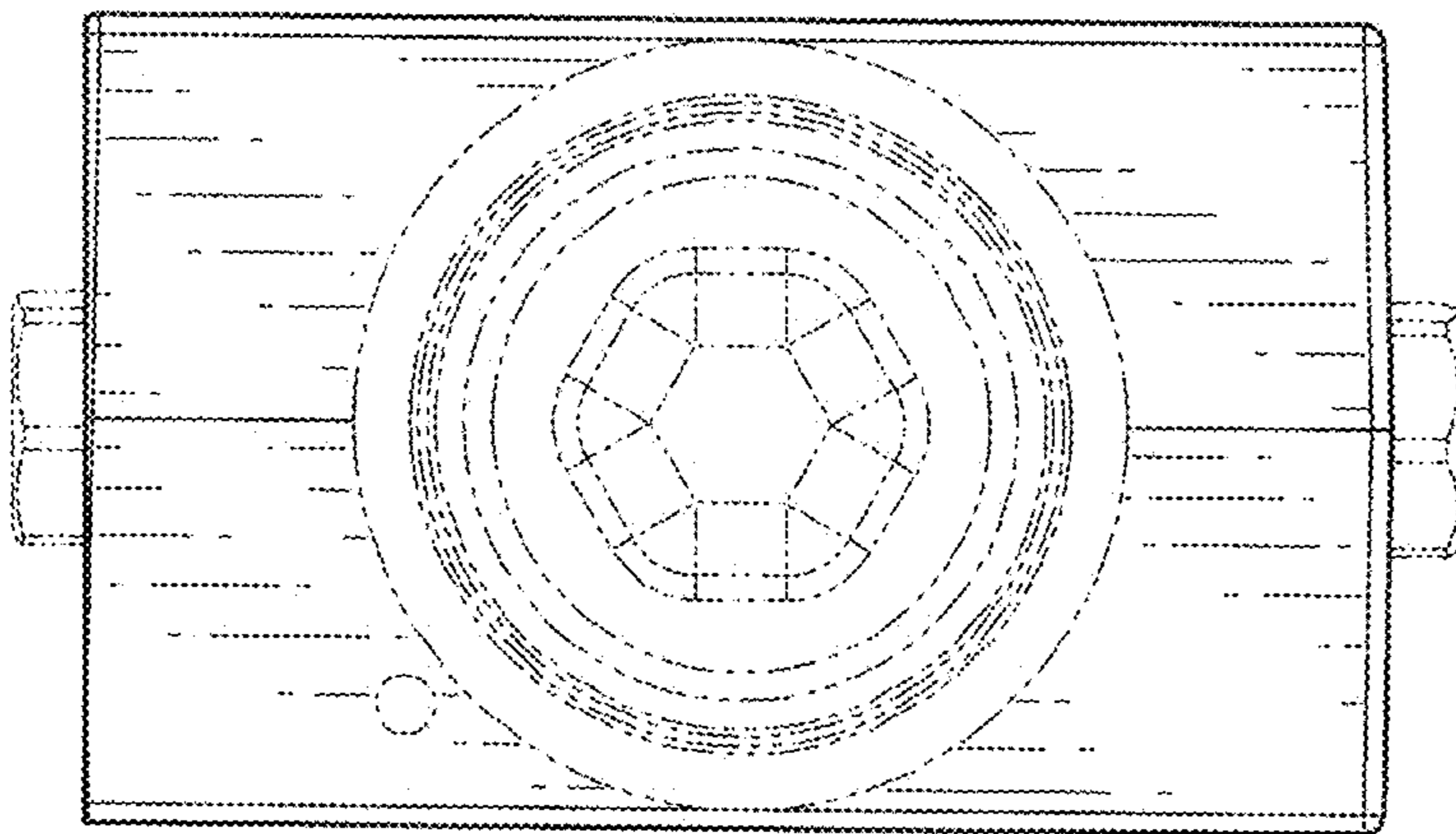


Fig. 6

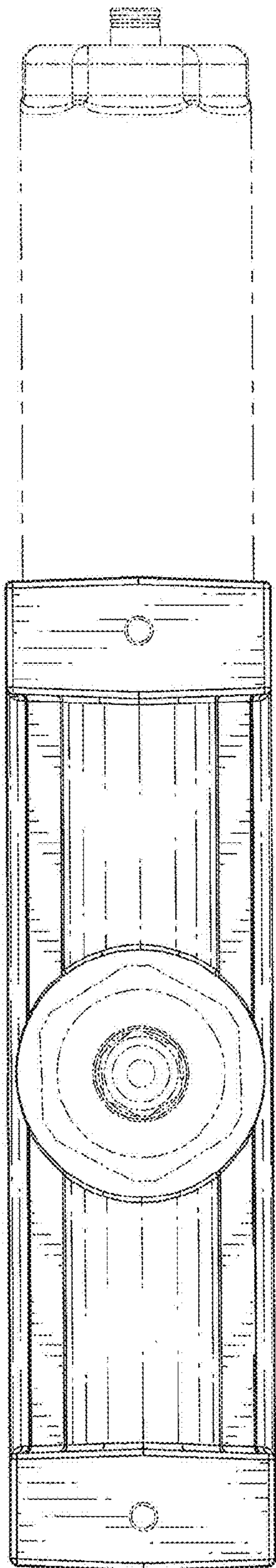


Fig. 7