



US00D760059S

(12) **United States Design Patent**  
**Nishida Watson**

(10) **Patent No.:** **US D760,059 S**  
(45) **Date of Patent:** **\*\* Jun. 28, 2016**

(54) **DECORATIVE HEAVY DUTY DOOR CLOSER COVER**

(71) Applicant: **Schlage Lock Company LLC**,  
Indianapolis, IN (US)

(72) Inventor: **Aida Kim Nishida Watson**, Noblesville,  
IN (US)

(73) Assignee: **Schlage Lock Company LLC**,  
Indianapolis, IN (US)

(\*\*) Term: **14 Years**

(21) Appl. No.: **29/523,954**

(22) Filed: **Apr. 15, 2015**

(51) **LOC (10) Cl.** ..... **08-07**

(52) **U.S. Cl.**  
USPC ..... **D8/330**

(58) **Field of Classification Search**  
USPC ..... D8/330, 343; 16/49-51, 59, 62, 71, 82,  
16/DIG. 7, 79; 292/201, 144, 92, 339,  
292/DIG. 19  
CPC ..... F05F 11/24; E05F 3/04; E05F 3/14;  
E05F 15/20  
See application file for complete search history.

(56) **References Cited**

**U.S. PATENT DOCUMENTS**

- 3,777,423 A \* 12/1973 Coulter ..... A62C 2/12  
16/48.5
- 4,086,681 A \* 5/1978 Nakanishi ..... E05F 3/00  
16/49
- 4,231,334 A \* 11/1980 Peter ..... F02D 41/1443  
123/691
- 4,314,722 A \* 2/1982 Logan, Jr. .... E05B 65/1046  
292/263

- 5,265,306 A \* 11/1993 Yu ..... E05F 3/10  
16/51
- D429,477 S \* 8/2000 Williams ..... D12/590
- D438,088 S \* 2/2001 Tomlinson ..... D8/330
- 6,421,876 B1 \* 7/2002 Ginzel ..... E05F 3/00  
16/59
- D493,352 S \* 7/2004 Homberg ..... D8/330
- D578,862 S \* 10/2008 James ..... D8/330
- D682,655 S \* 5/2013 Webb ..... D8/330
- D739,705 S \* 9/2015 Stanton ..... D8/330
- D740,643 S \* 10/2015 Watson ..... D8/330

\* cited by examiner

*Primary Examiner* — Prabhakar Deshmukh

(74) *Attorney, Agent, or Firm* — Taft Stettinius & Hollister  
LLP

(57) **CLAIM**

The ornamental design for a decorative heavy duty door closer cover, as shown and described.

**DESCRIPTION**

FIG. 1 is a upper-right front perspective view of the decorative heavy duty door closer cover.

FIG. 2 is a lower-left front perspective view of the decorative heavy duty door closer cover.

FIG. 3 is a front view of the decorative heavy duty door closer cover.

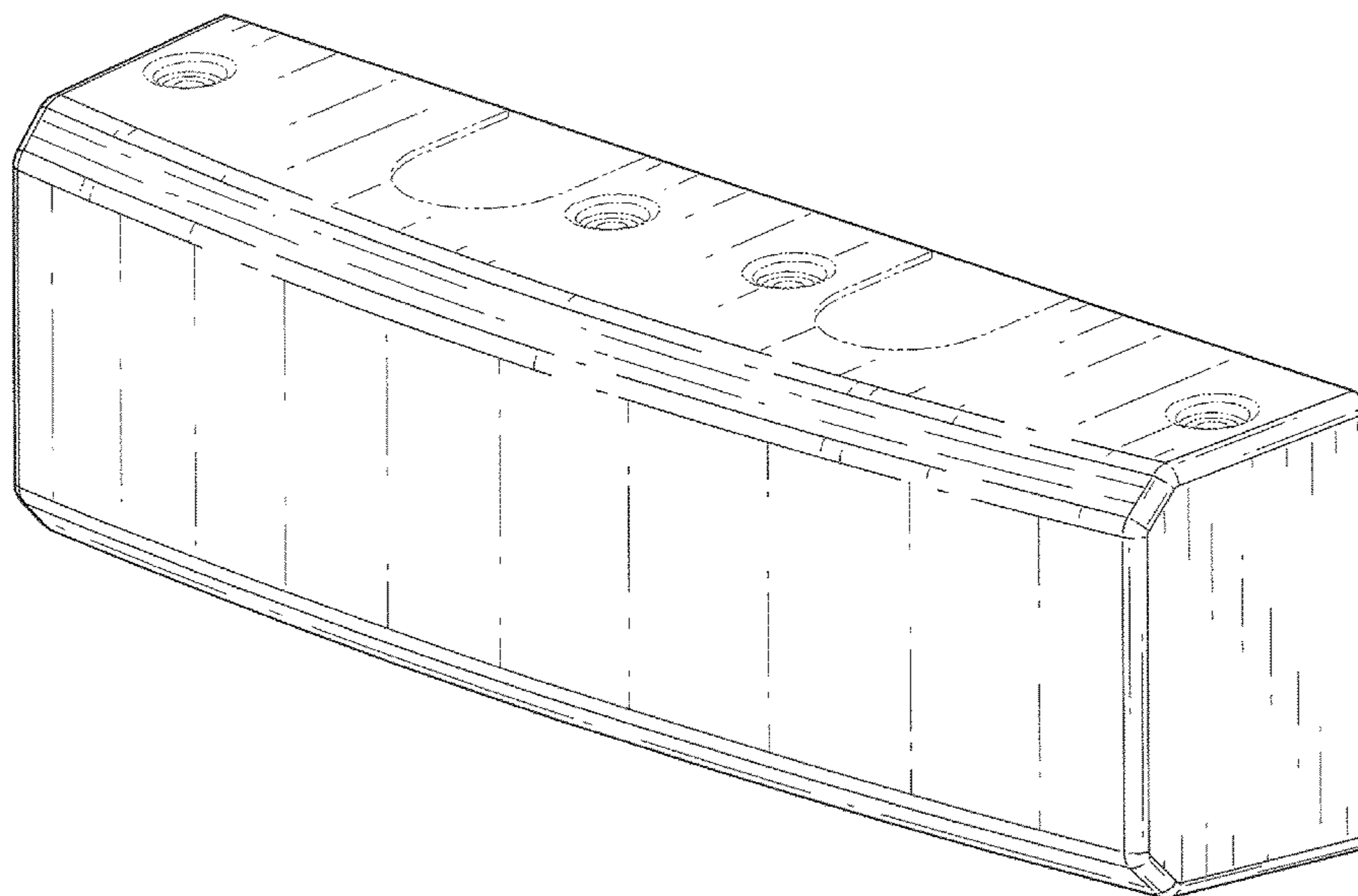
FIG. 4 is a right side view of the decorative heavy duty door closer cover.

FIG. 5 is a top view of the decorative heavy duty door closer cover; and,

FIG. 6 is a bottom view of the decorative heavy duty door closer cover.

The broken lines are for the purpose of showing exemplary slots and apertures associated with the decorative heavy duty door closer cover, and they form no part of the claimed design.

**1 Claim, 3 Drawing Sheets**



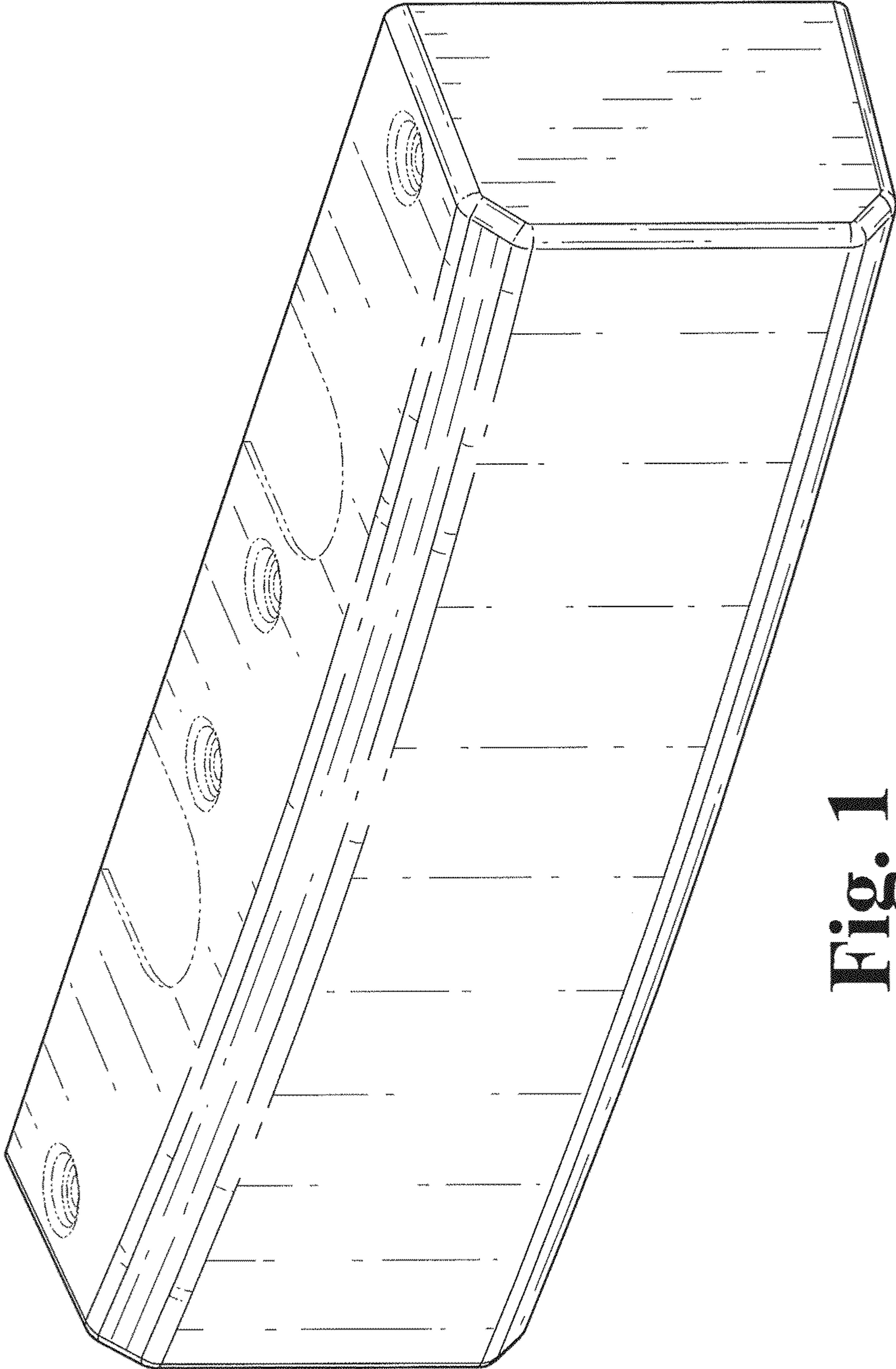
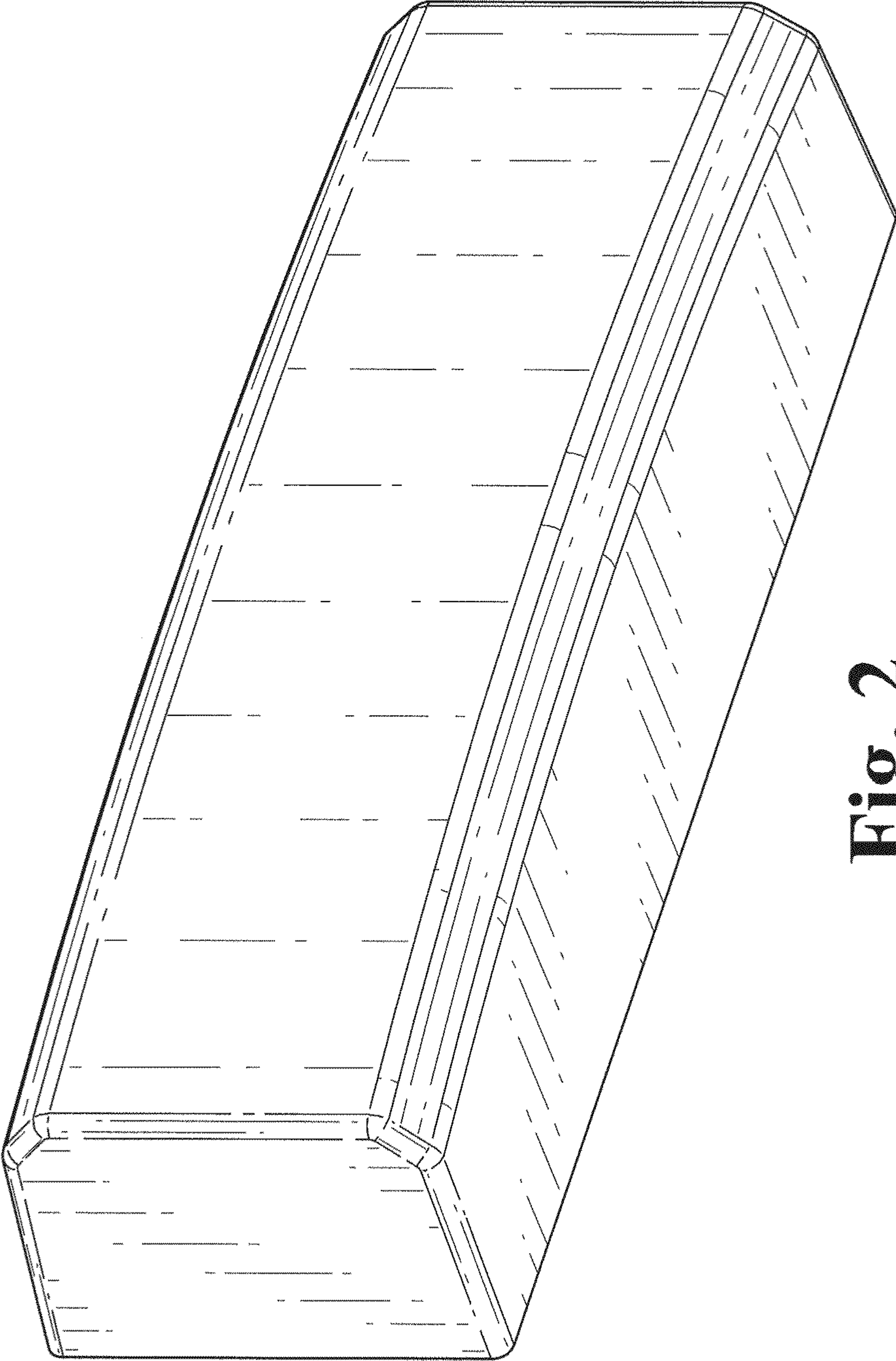
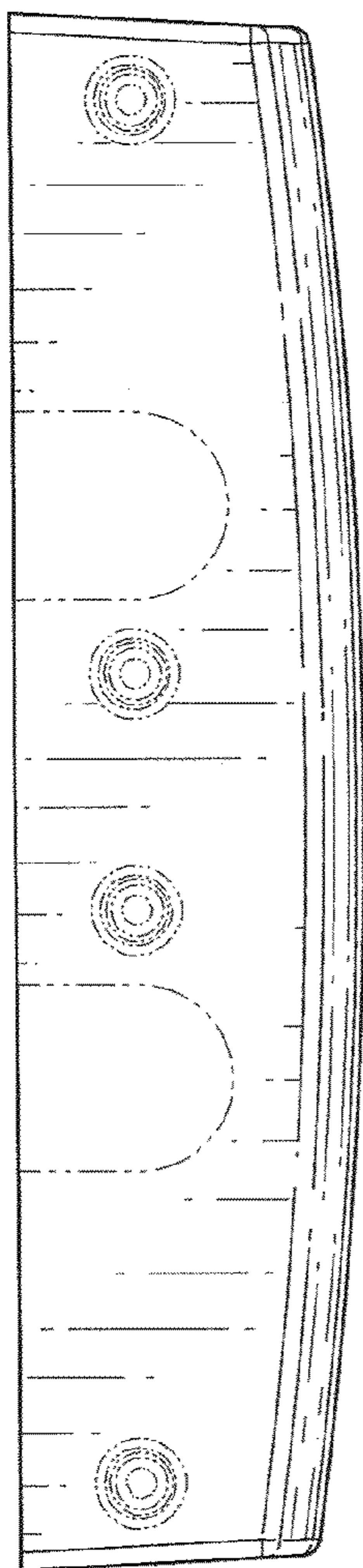


Fig. 1

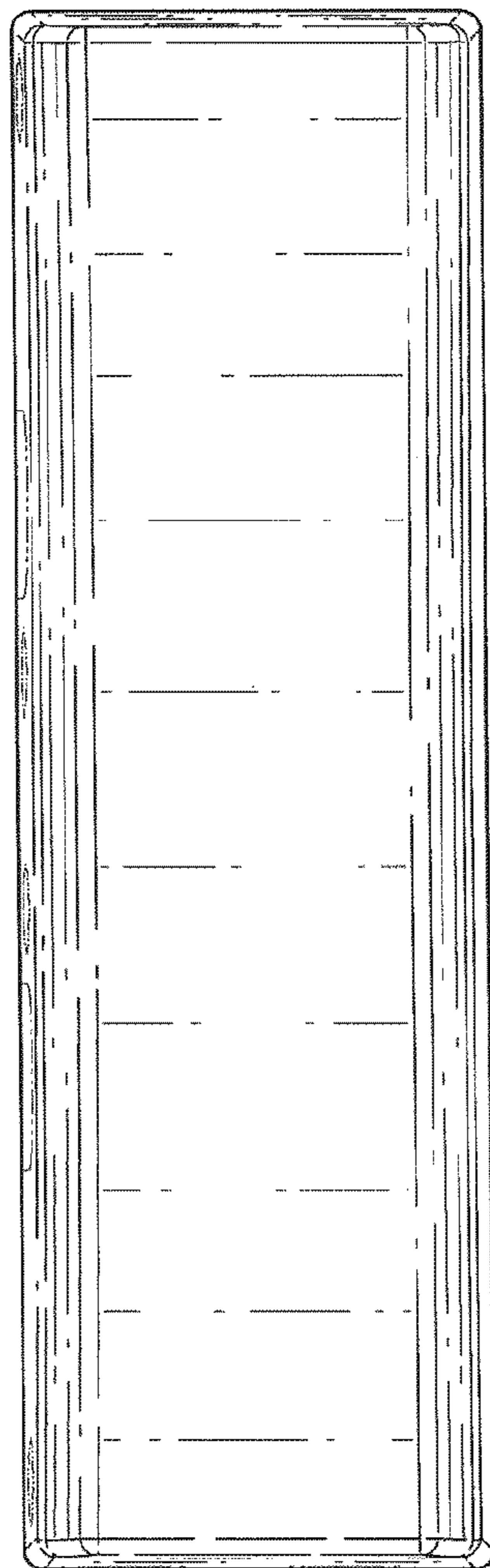


**Fig. 2**

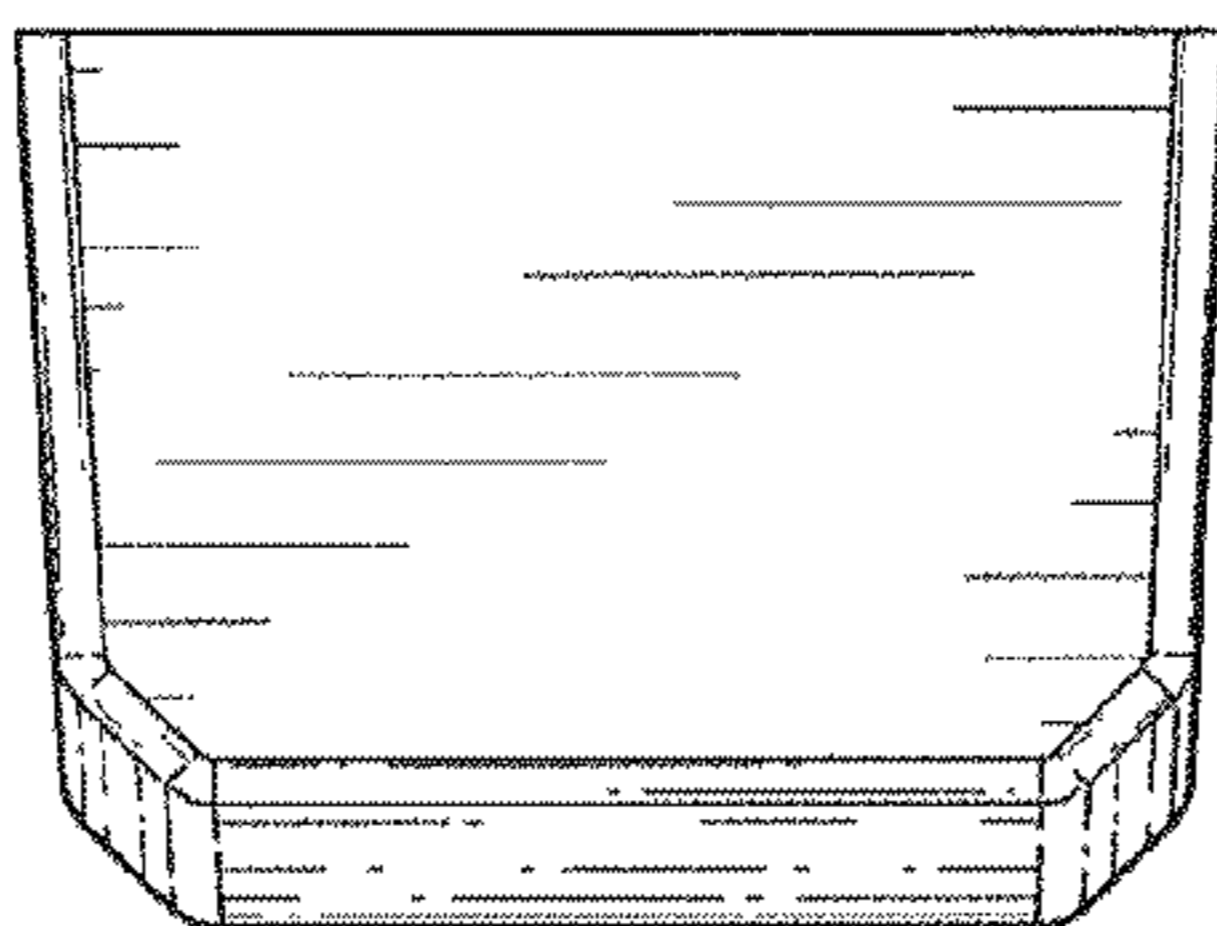




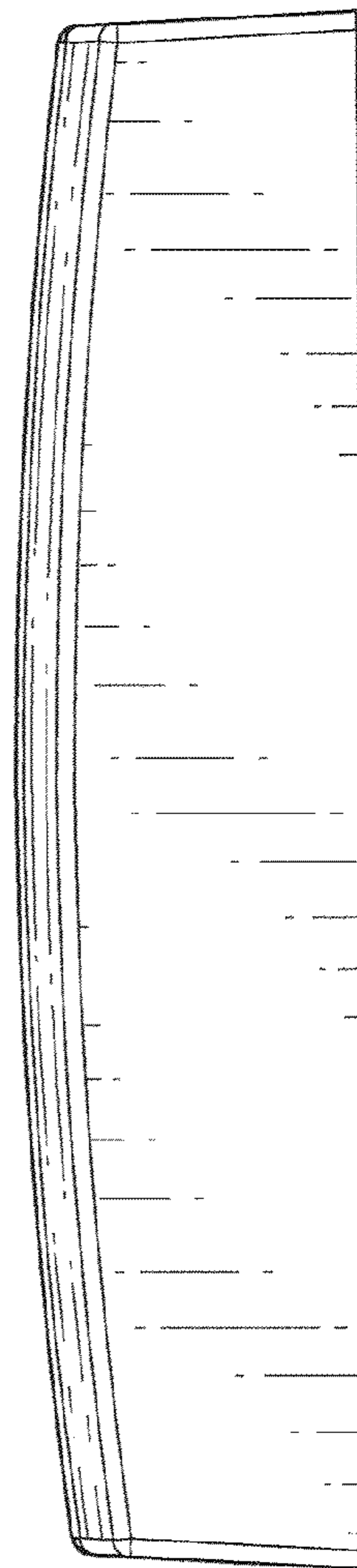
**Fig. 5**



**Fig. 3**



**Fig. 4**



**Fig. 6**