



US00D760058S

(12) **United States Design Patent**
Laxamana

(10) **Patent No.:** **US D760,058 S**
(45) **Date of Patent:** **** Jun. 28, 2016**

(54) **APPLIANCE LEG SECURITY LOCK**

(71) Applicant: **Jose Laxamana**, Pomona, CA (US)

(72) Inventor: **Jose Laxamana**, Pomona, CA (US)

(**) Term: **14 Years**

(21) Appl. No.: **29/521,962**

(22) Filed: **Mar. 26, 2015**

(51) **LOC (10) Cl.** **08-07**

(52) **U.S. Cl.**
USPC **D8/330; D8/339**

(58) **Field of Classification Search**
USPC D8/330, 331, 336-339, 343, 349;
70/14, 51, 57, 57.1, 58, 358, 333 R,
70/334, 416, 465, 466, 431; 292/290, 292,
292/300
CPC E05B 47/00; E05B 65/00; E05B 73/00;
B65D 33/34; B65D 33/2516
See application file for complete search history.

(56) **References Cited**

U.S. PATENT DOCUMENTS

2,486,032	A	10/1949	Jimenez	
3,724,246	A	4/1973	Katsaros	
3,850,392	A	11/1974	Gassaway	
4,221,025	A *	9/1980	Martens	E05B 73/0017 24/704.1
4,252,007	A	2/1981	Kerley	
4,299,870	A *	11/1981	Humble	E05B 73/0017 24/16 PB
4,380,097	A *	4/1983	Keifer	E05B 73/0017 24/704.2
4,556,188	A	12/1985	Allison, Jr.	
4,613,109	A	9/1986	Boscacci	
4,782,971	A	11/1988	Hill	
D336,603	S *	6/1993	Penaflo	D8/333
D343,347	S *	1/1994	Lau	D8/301
5,598,728	A *	2/1997	Lax	E05B 73/0023 70/276
D439,826	S *	4/2001	Oddy	D8/336
6,397,644	B1 *	6/2002	Gidding	B60R 9/0485 182/127

(Continued)

Primary Examiner — Prabhakar Deshmukh

(74) *Attorney, Agent, or Firm* — Kirk A. Buhler; Buhler & Associates

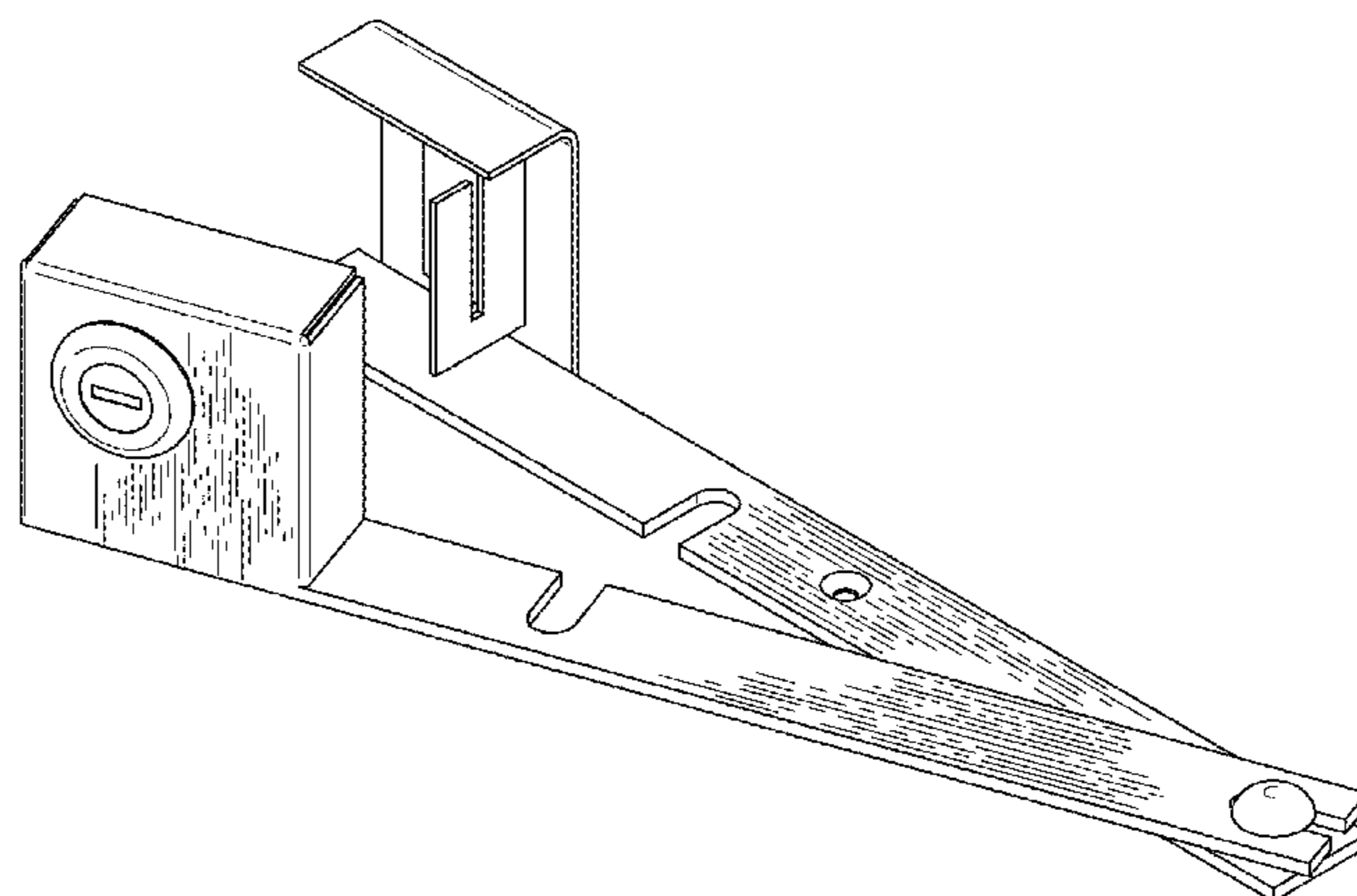
(57) **CLAIM**

The ornamental design for an appliance leg security lock, as shown and described.

DESCRIPTION

FIG. 1 is a perspective view of an appliance leg security lock showing my new design;
 FIG. 2 is a front elevation view thereof;
 FIG. 3 is a rear elevation view thereof;
 FIG. 4 is a bottom plan view thereof, detached from the bolt and shown separately for clarity of illustration;
 FIG. 5 is a top plan view thereof, detached from the bolt and shown separately for clarity of illustration;
 FIG. 6 is an elevation view taken along line 6-6 from FIG. 5;
 FIG. 7 is an elevation view taken along line 7-7 from FIG. 5;
 FIG. 8 is an enlarged left side elevation view of FIG. 4;
 FIG. 9 is an enlarged right side elevation view of FIG. 4;
 FIG. 10 is another perspective view thereof;
 FIG. 11 is a front elevation view of FIG. 2, reoriented by 180 degrees;
 FIG. 12 is a rear elevation view of FIG. 3, reoriented by 180 degrees;
 FIG. 13 is a bottom plan view of FIG. 10, detached from the bolt and shown separately for clarity of illustration;
 FIG. 14 is a top plan view of FIG. 10, detached from the bolt and shown separately for clarity of illustration;
 FIG. 15 is an elevation view taken along line 15-15 from FIG. 14;
 FIG. 16 is an elevation view taken along line 16-16 from FIG. 14;
 FIG. 17 is an enlarged left side elevation view of FIG. 13;
 FIG. 18 is an enlarged right side elevation view of FIG. 13;
 and,
 FIG. 19 is another perspective view thereof.

1 Claim, 11 Drawing Sheets



(56)

References Cited

U.S. PATENT DOCUMENTS

7,073,236 B2 *	7/2006	Xue	E05B 73/0017	24/704.1				
7,259,674 B2 *	8/2007	Marsilio	E05B 73/0017	215/201				
						D685,623 S *	7/2013	Lewis D8/331
						8,511,119 B2 *	8/2013	Mazzucchelli E05B 73/0017
									24/704.1
						D719,815 S *	12/2014	Lin D8/330
						2005/0275536 A1	12/2005	Celi et al.	

* cited by examiner

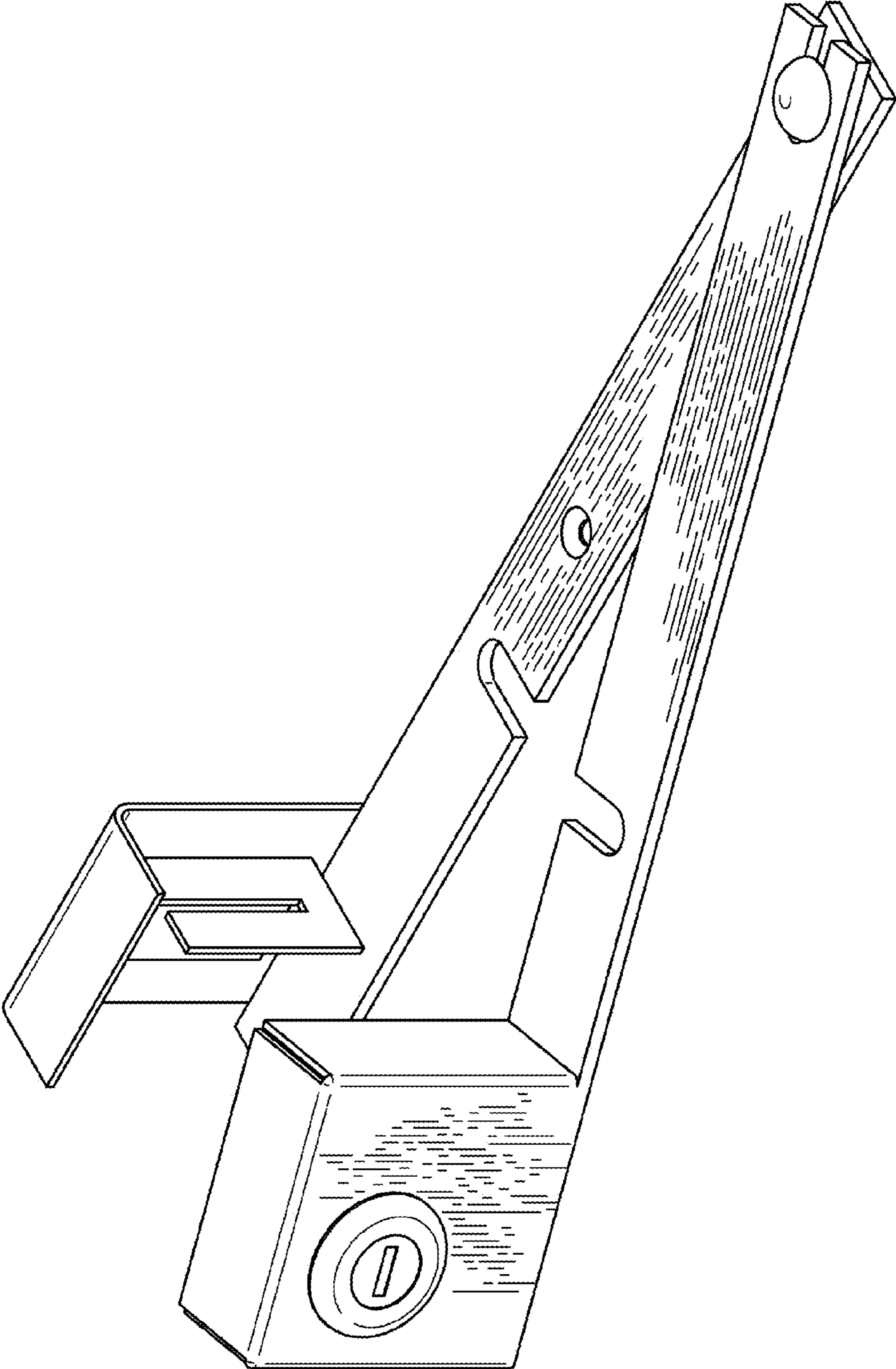


FIG. 1

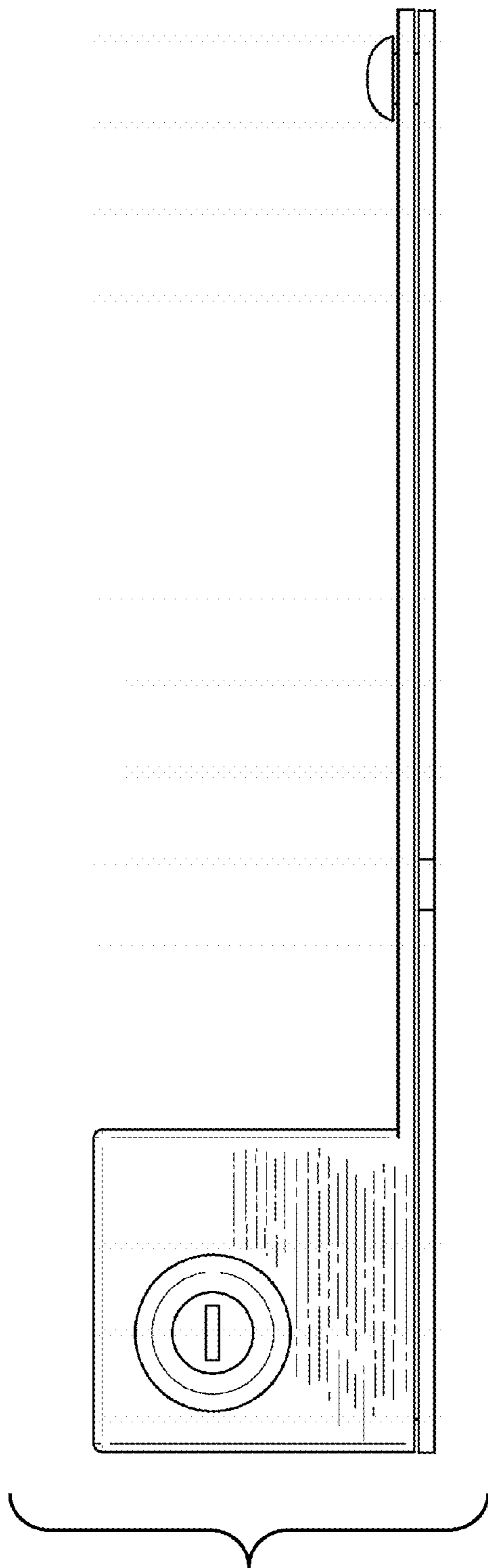


FIG. 2

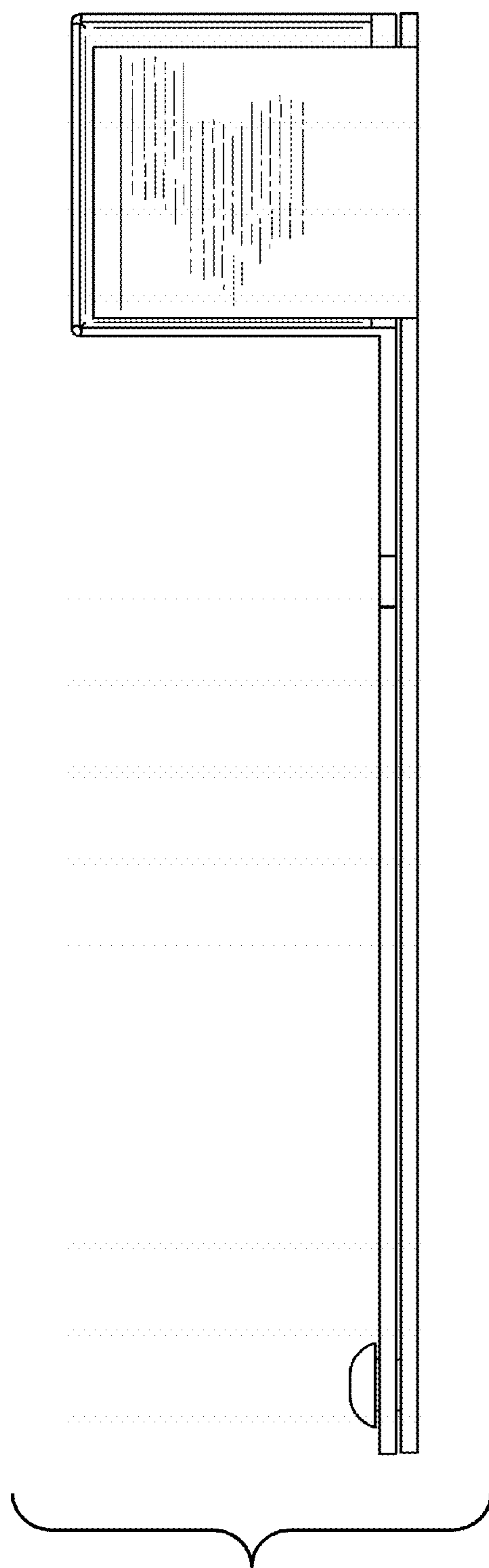


FIG. 3

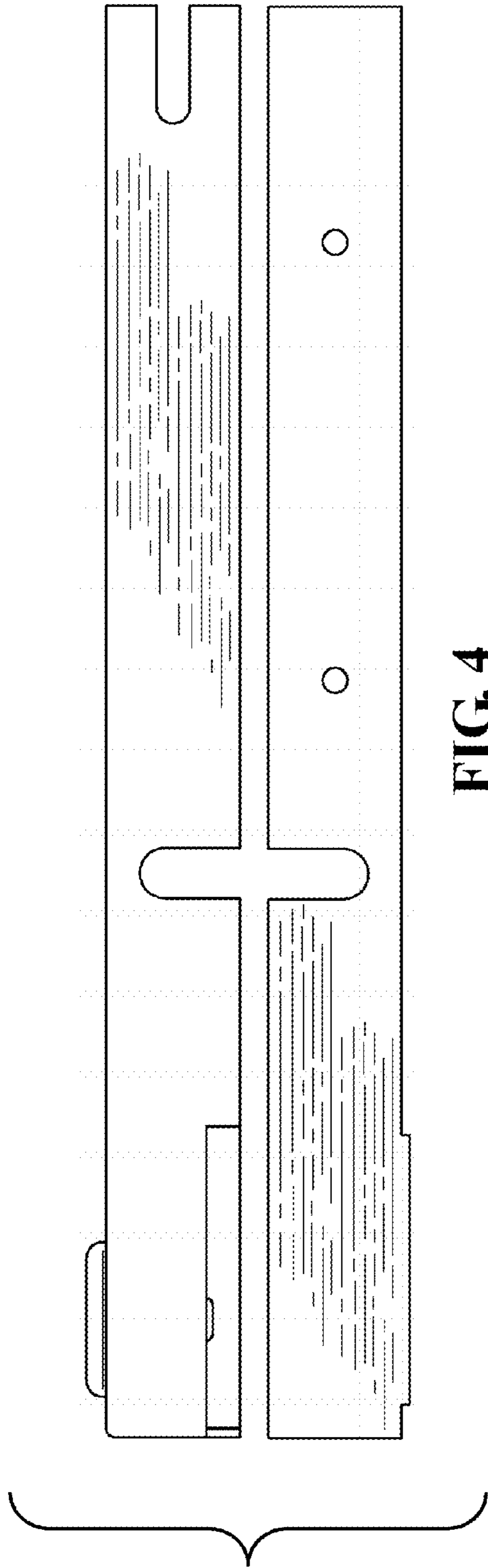


FIG. 4

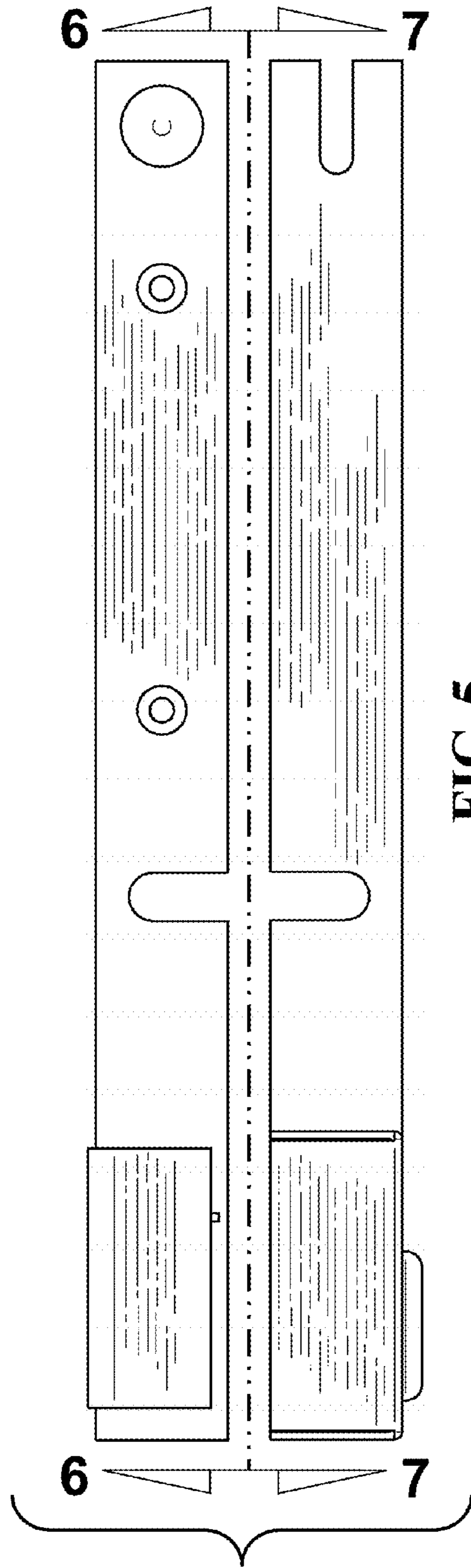


FIG. 5

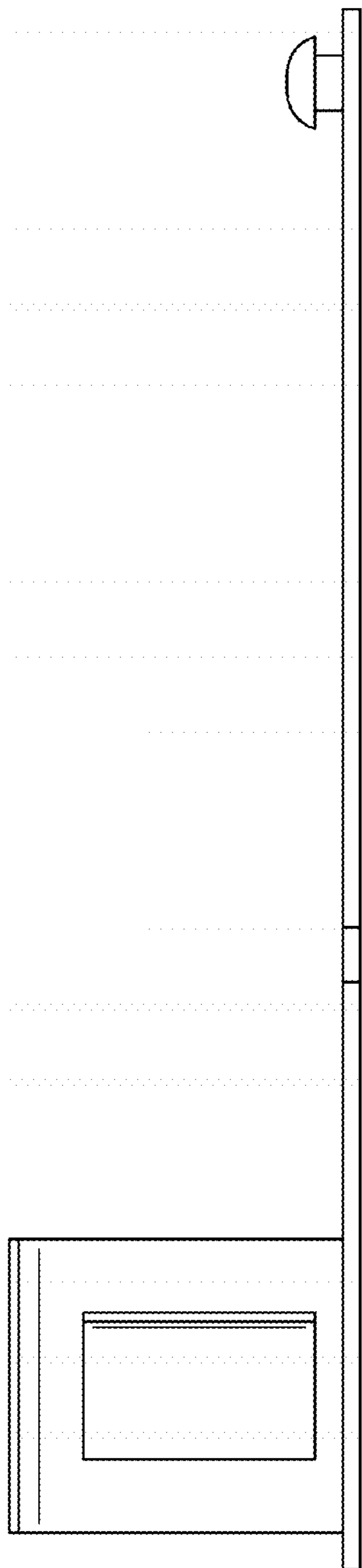


FIG. 6

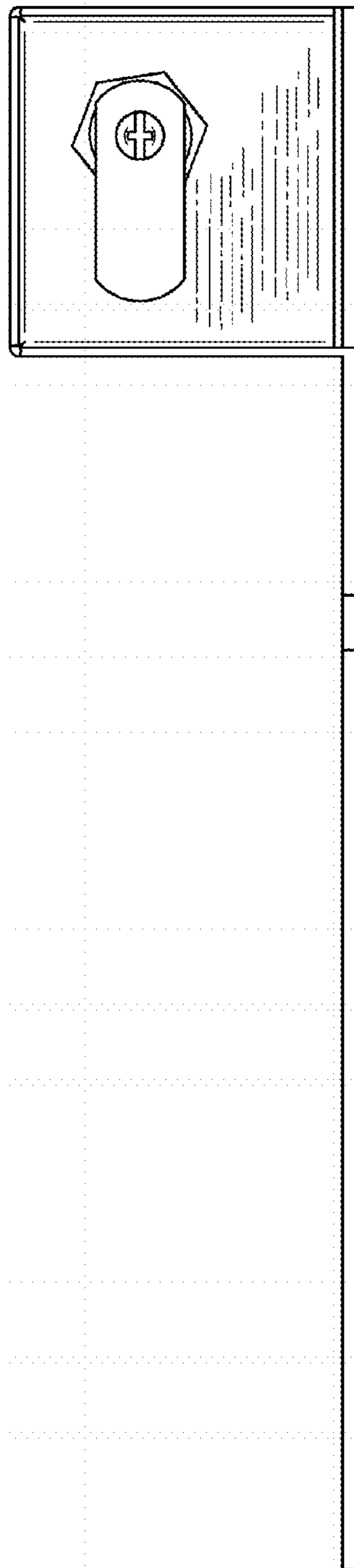


FIG. 7

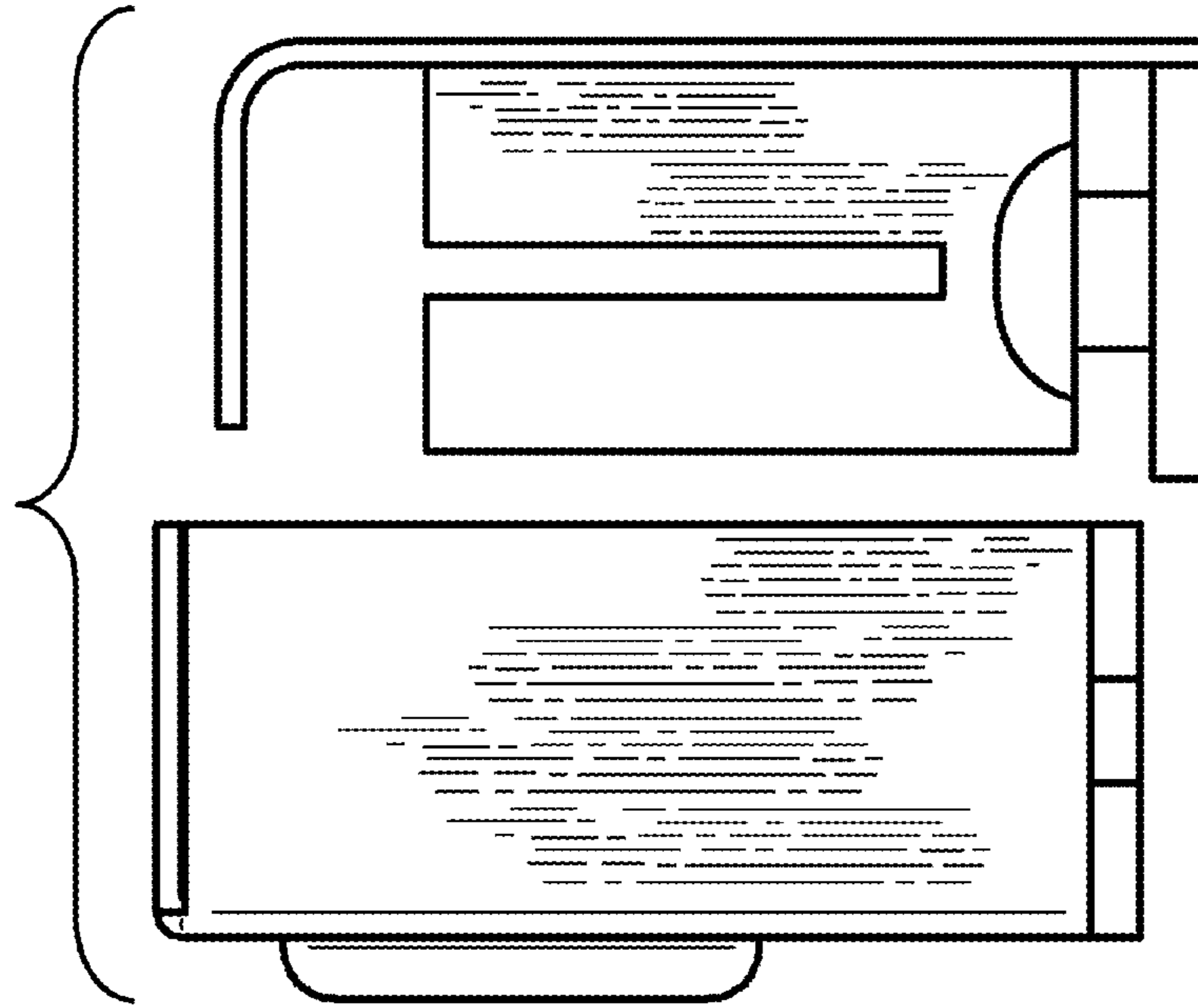


FIG. 9

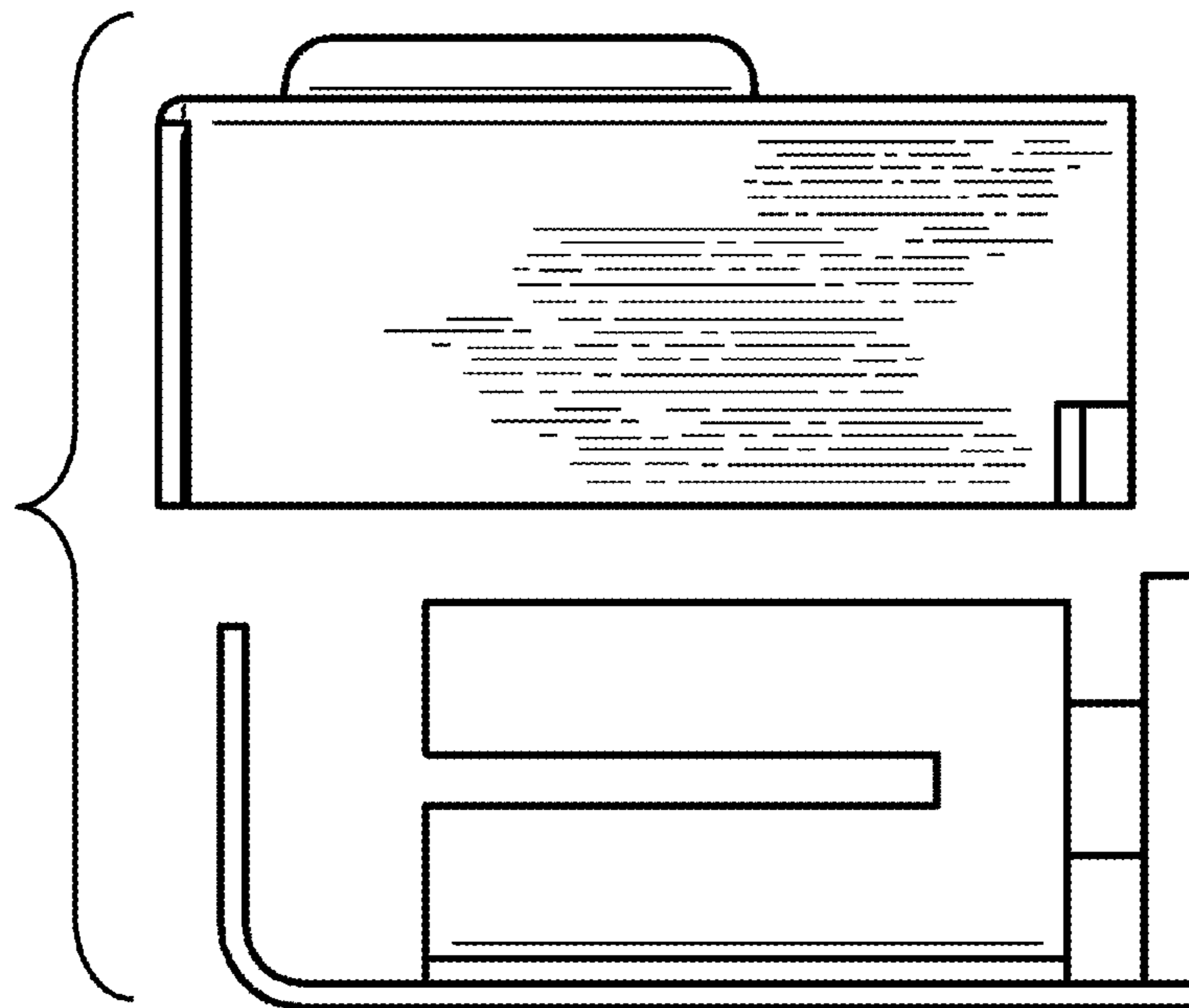


FIG. 8

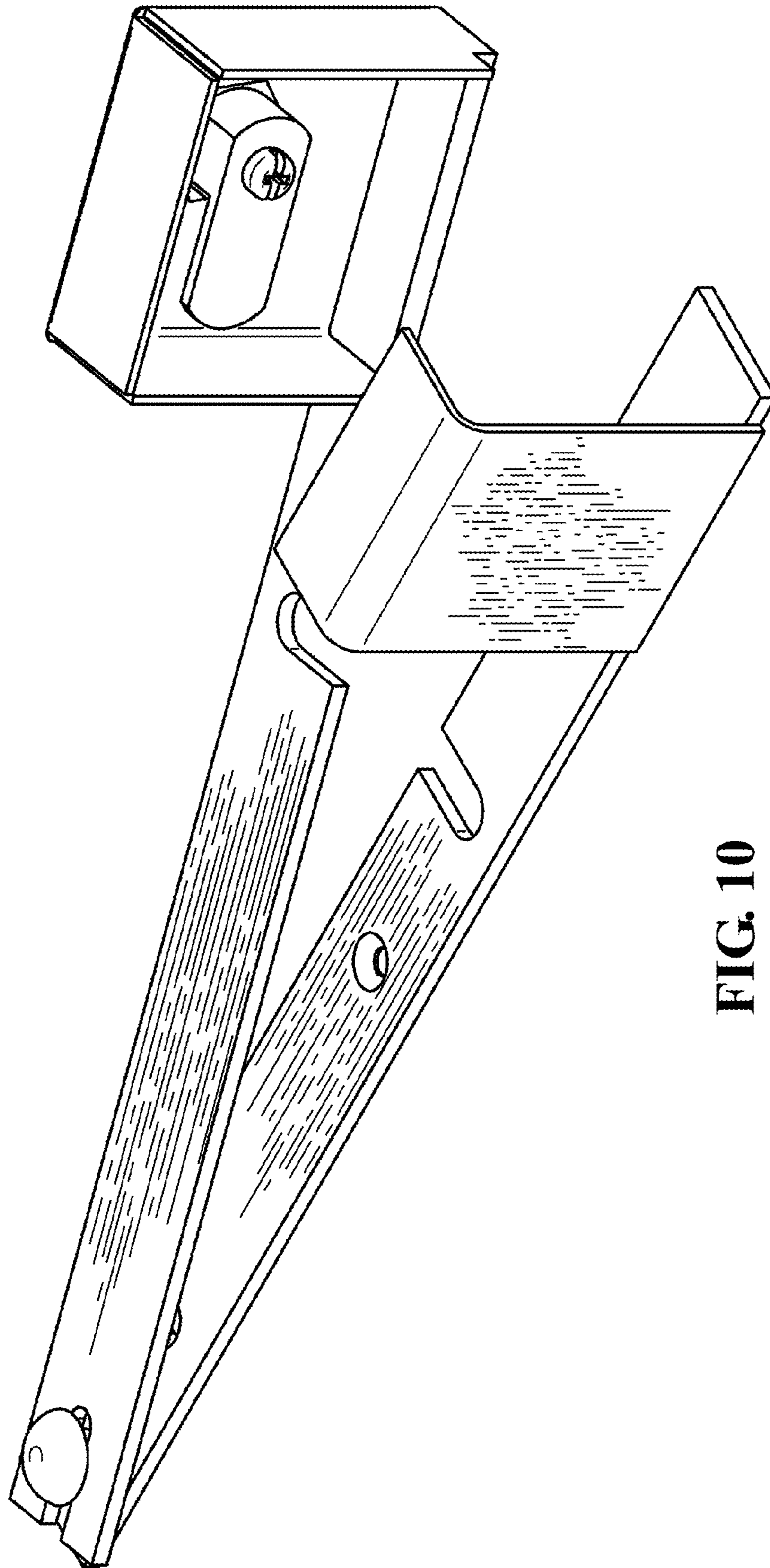


FIG. 10

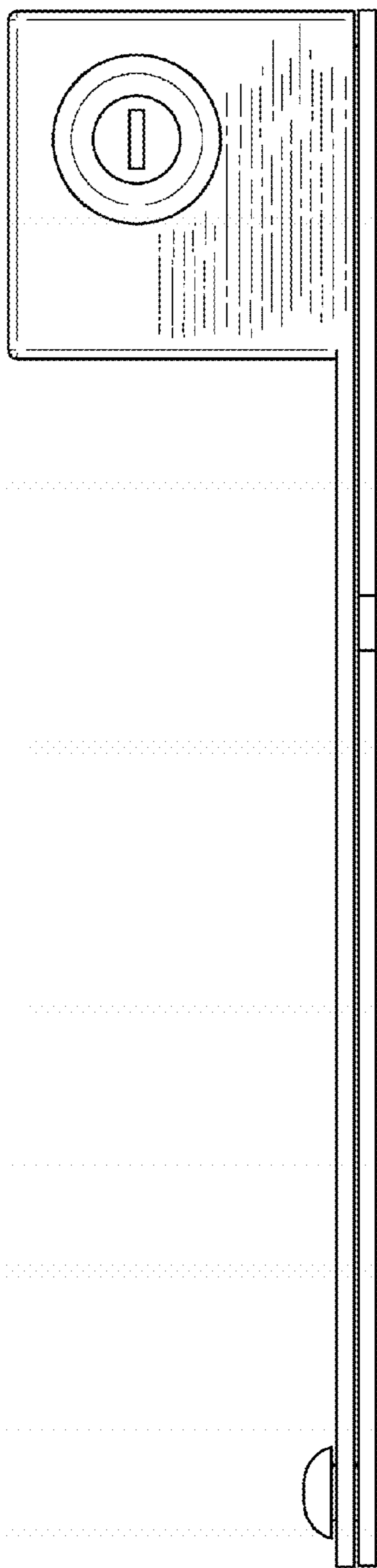


FIG. 11

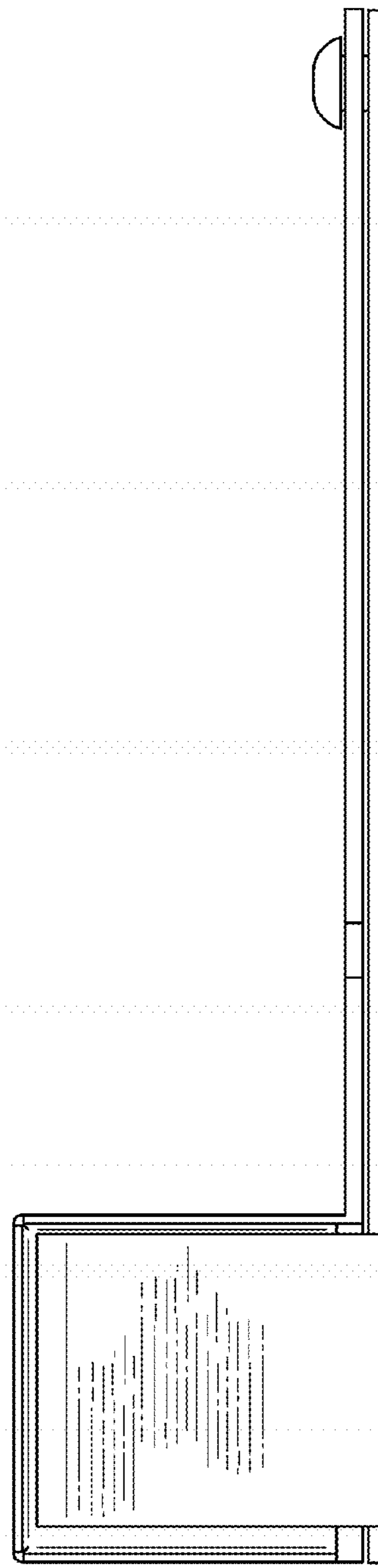
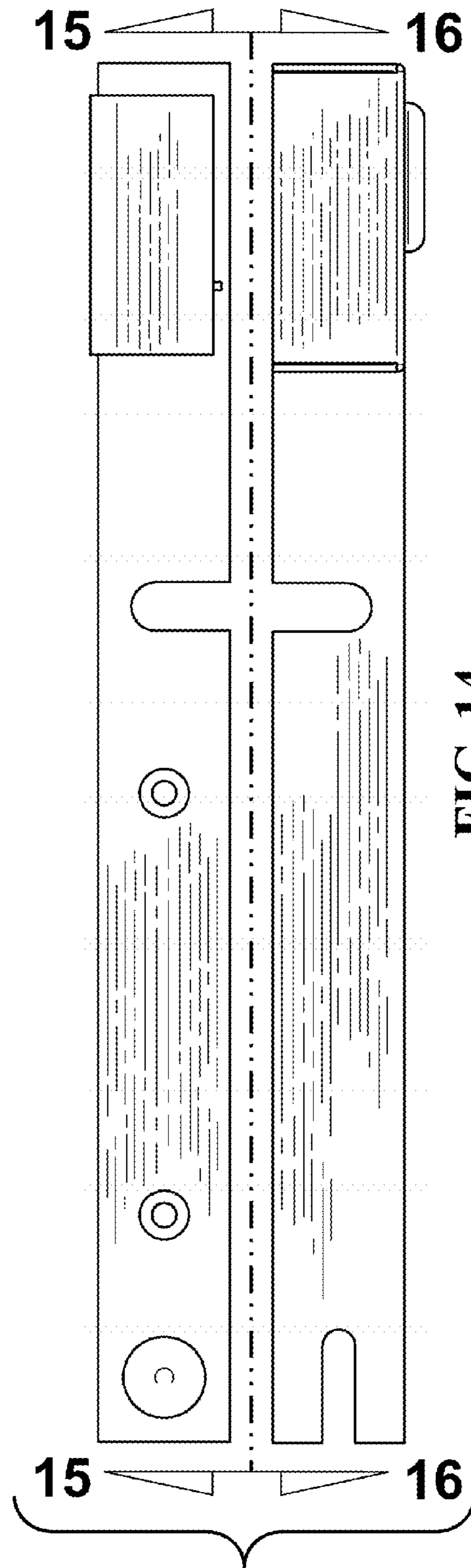
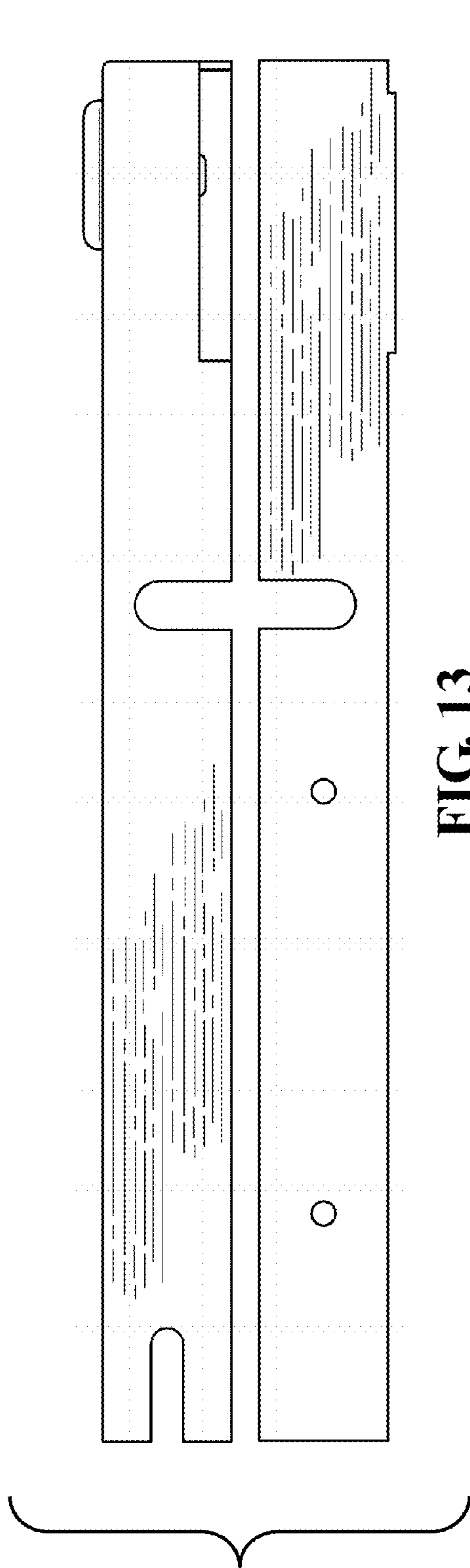


FIG. 12





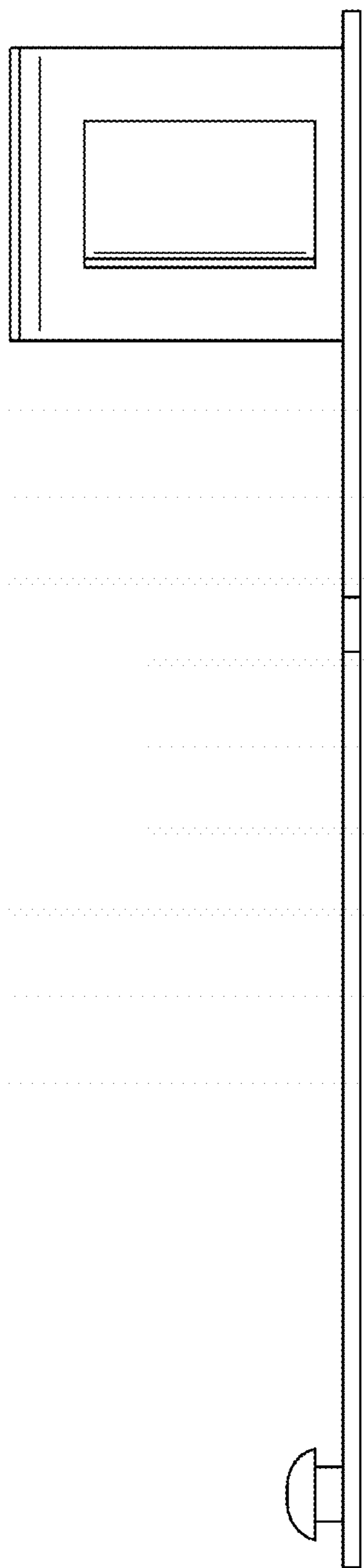


FIG. 15

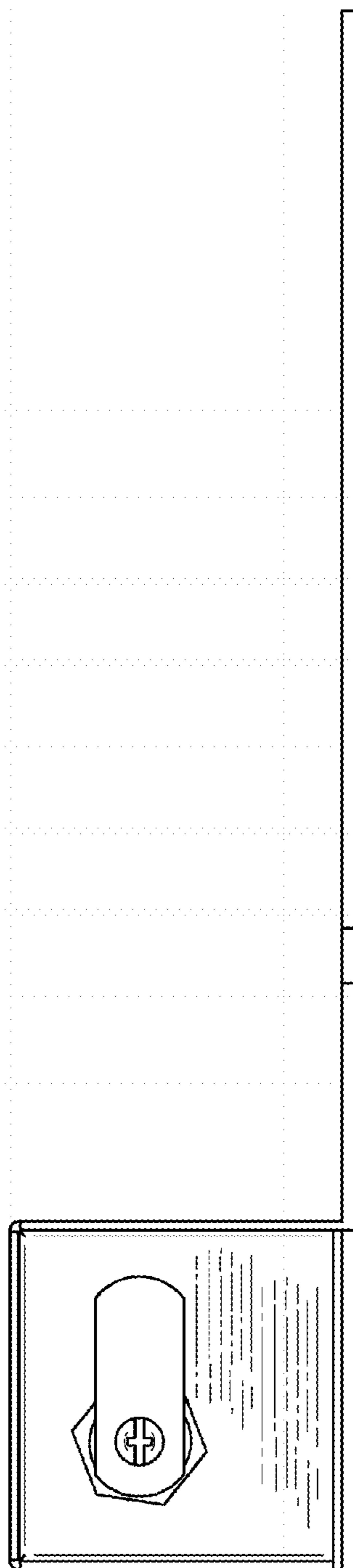


FIG. 16

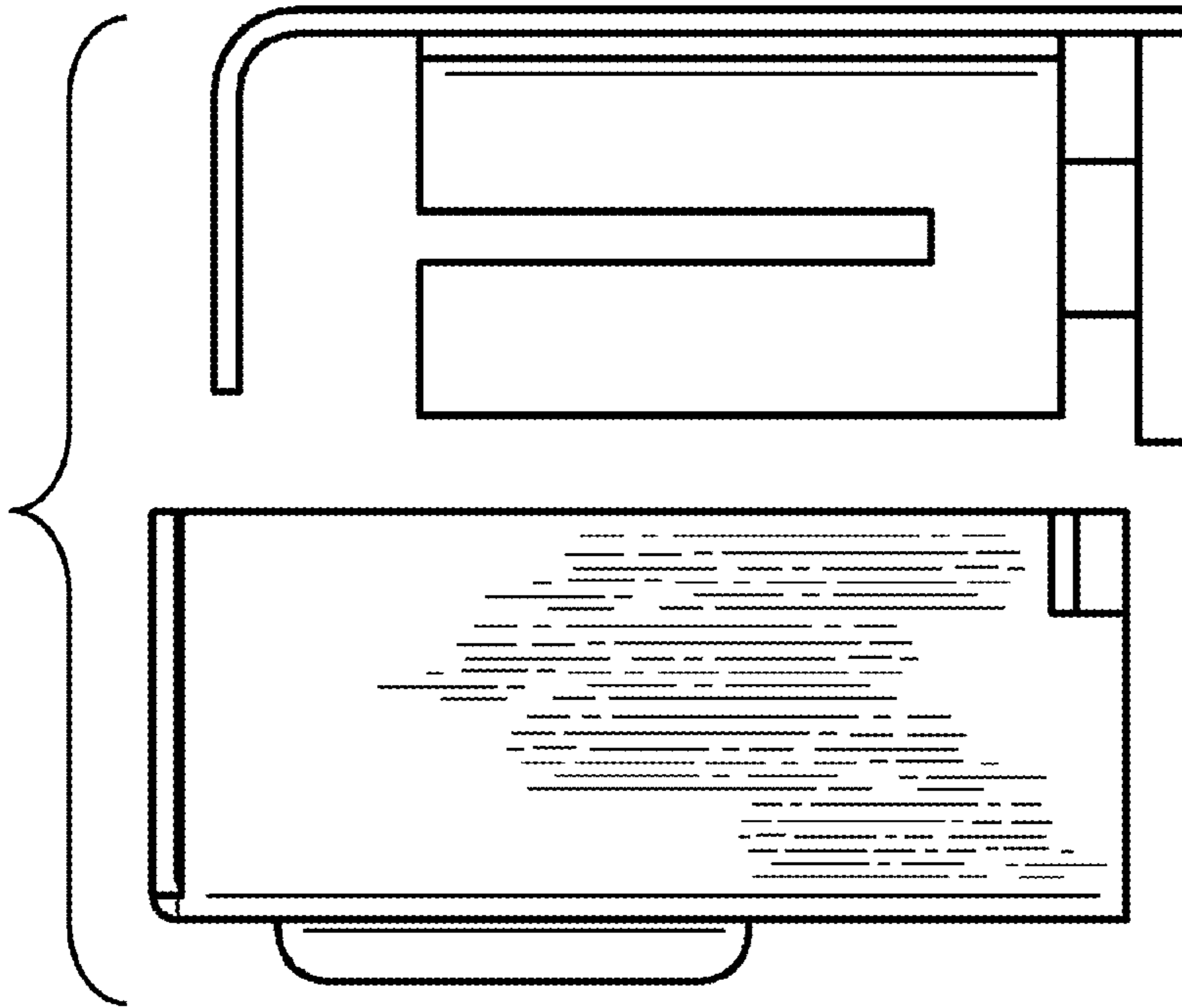


FIG. 18

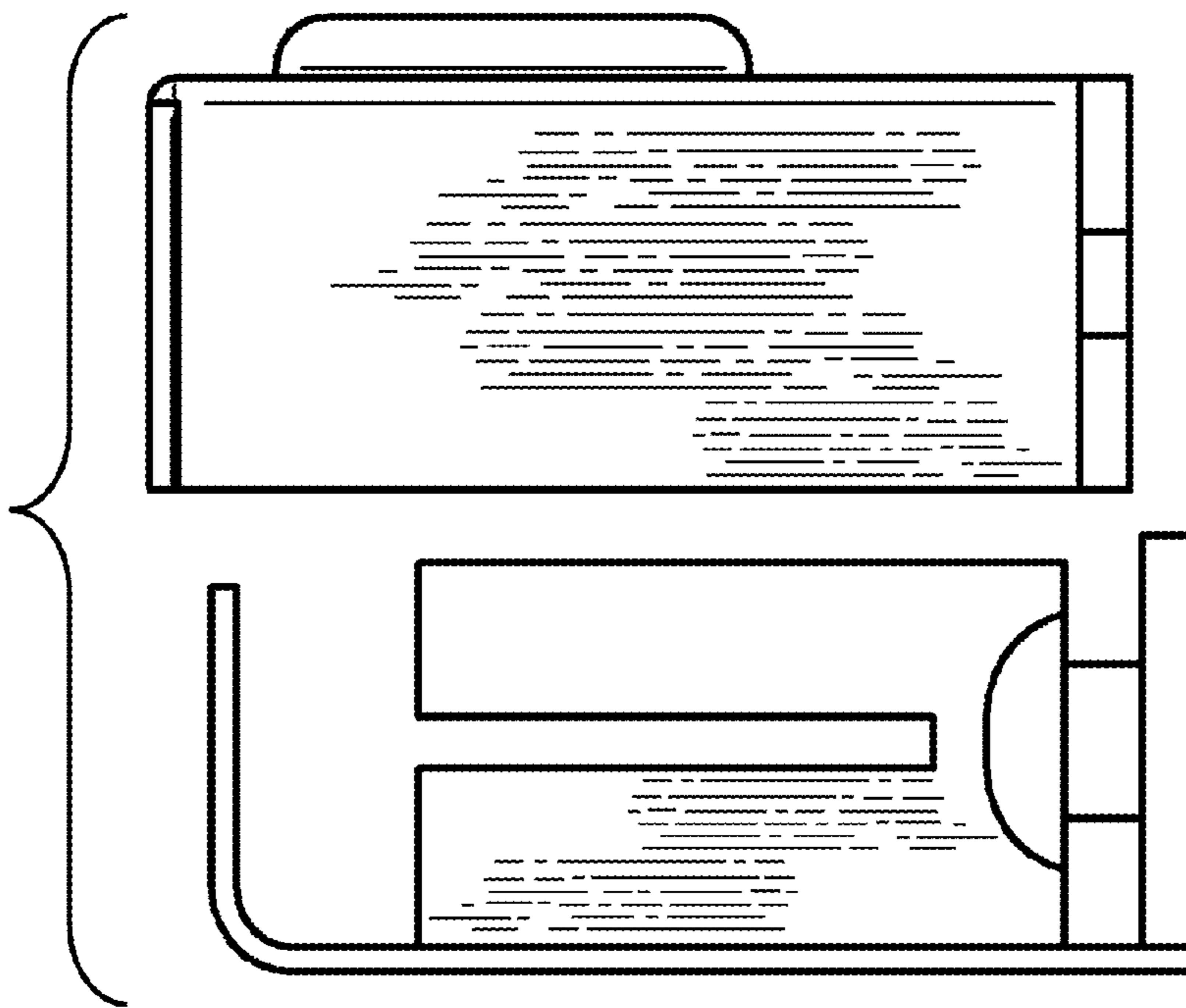


FIG. 17

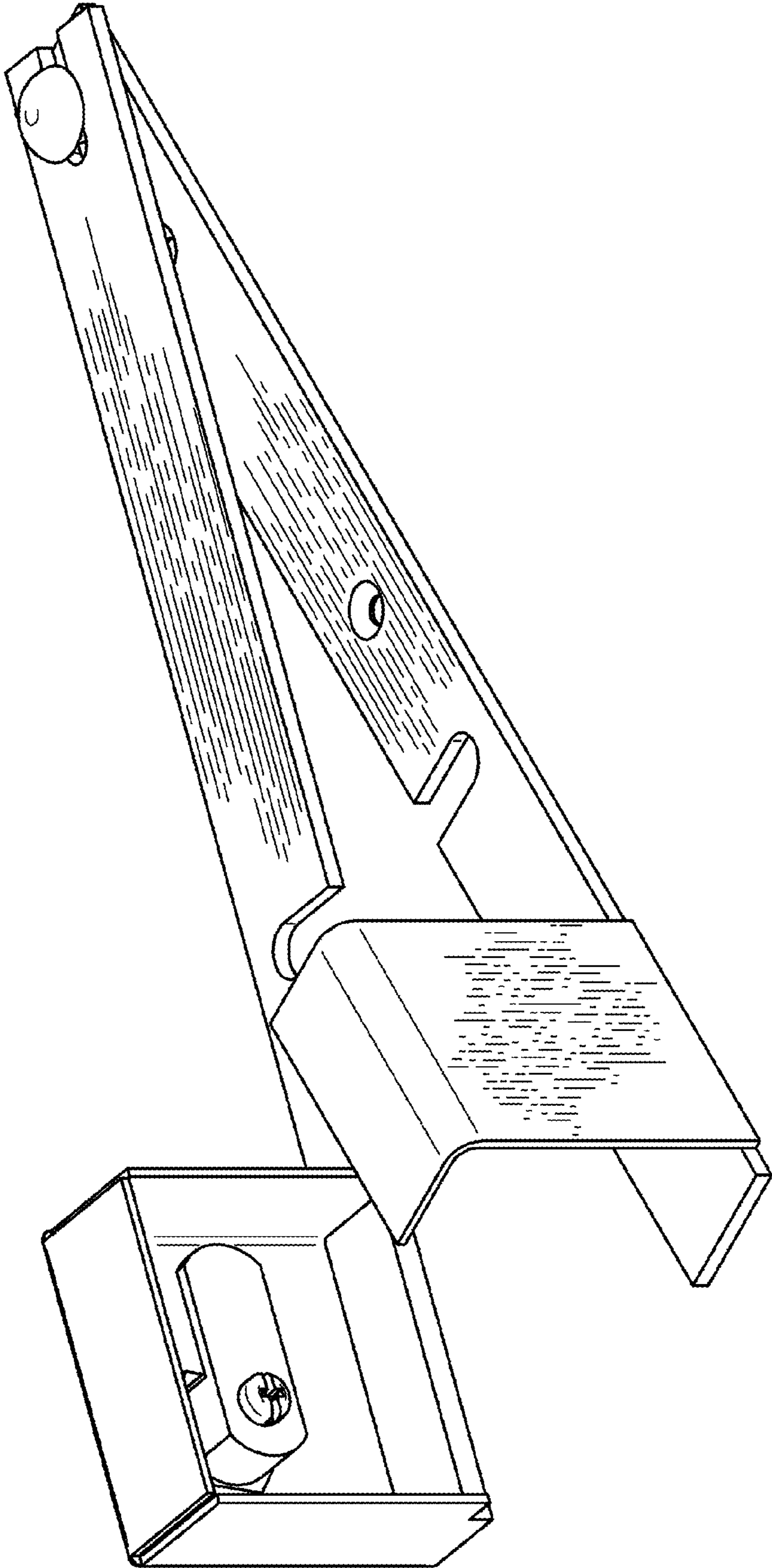


FIG. 19