



US00D760057S

(12) **United States Design Patent**  
**Bertani**

(10) **Patent No.:** **US D760,057 S**  
(45) **Date of Patent:** **\*\* Jun. 28, 2016**

(54) **HANDLE**

(71) Applicant: **ELESA S.p.A.**, Milan (IT)

(72) Inventor: **Alberto Bertani**, Monza (IT)

(73) Assignee: **ELESA S.P.A.**, Milan (IT)

(\*\*) Term: **14 Years**

(21) Appl. No.: **29/494,459**

(22) Filed: **Jun. 20, 2014**

(30) **Foreign Application Priority Data**

Dec. 20, 2013 (EM) ..... 002374793-0001

(51) **LOC (10) Cl.** ..... **08-06**

(52) **U.S. Cl.**  
USPC ..... **D8/309**

(58) **Field of Classification Search**  
USPC ..... D8/300-302, 307-309, 310, 311,  
D8/DIG. 10; D23/250, 252; 292/336.3;  
74/523, 543, 545, 546, 547; 16/110.1,  
16/412, 413, 422, 426, 429

CPC ..... Y10T 16/44; Y10T 74/20612; Y10T  
74/20732; Y10T 16/458; Y10T 16/498;  
Y10T 16/469; Y10T 16/476; Y10T 74/20744;  
Y10T 74/20864; Y10T 16/4628; Y10T  
74/20642; Y10T 16/473; Y10T 74/20762;  
Y10T 74/2042; Y10T 74/20828; Y10T  
16/459; Y10T 16/4713; Y10T 74/2014;  
Y10T 16/50; Y10T 74/20438; Y10T  
74/20582; Y10T 74/20738; Y10T 16/48;  
Y10T 74/20618; Y10T 74/20684; Y10T  
74/20624; Y10T 74/20468; Y10T 16/61;  
Y10T 16/4719; Y10T 16/86; Y10S 16/30;  
Y10S 292/31; Y10S 292/53; Y10S 16/12;  
Y10S 292/23; Y10S 292/27; Y10S 292/30;

Y10S 292/63; E05B 85/16; E05B 1/0015;  
E05B 77/06; E05B 79/06; E05B 85/18;  
E05B 85/12; E05B 85/10; E05B 7/00; E05B  
1/0053; E05B 77/265

See application file for complete search history.

(56) **References Cited**

U.S. PATENT DOCUMENTS

1,486,366	A *	3/1924	Dieter	74/547
1,516,303	A *	11/1924	Lickteig	74/545
1,592,574	A *	7/1926	Specht	74/545
D85,977	S *	1/1932	Carlson	D8/309
D129,919	S *	10/1941	Floraday	D8/309
2,290,807	A *	7/1942	Keeler et al.	74/545
2,311,821	A *	2/1943	Floraday	74/545
4,827,794	A *	5/1989	Hummel et al.	74/543
D361,490	S *	8/1995	Vetter	D8/309

\* cited by examiner

*Primary Examiner* — Derrick Holland

*Assistant Examiner* — Lauren Calve

(74) *Attorney, Agent, or Firm* — Pearne & Gordon LLP

(57) **CLAIM**

The ornamental design for a handle, as shown and described.

**DESCRIPTION**

FIG. 1 is a perspective view of a handle showing my new design;

FIG. 2 is front a view thereof;

FIG. 3 is a rear view thereof;

FIG. 4 is a left side view thereof;

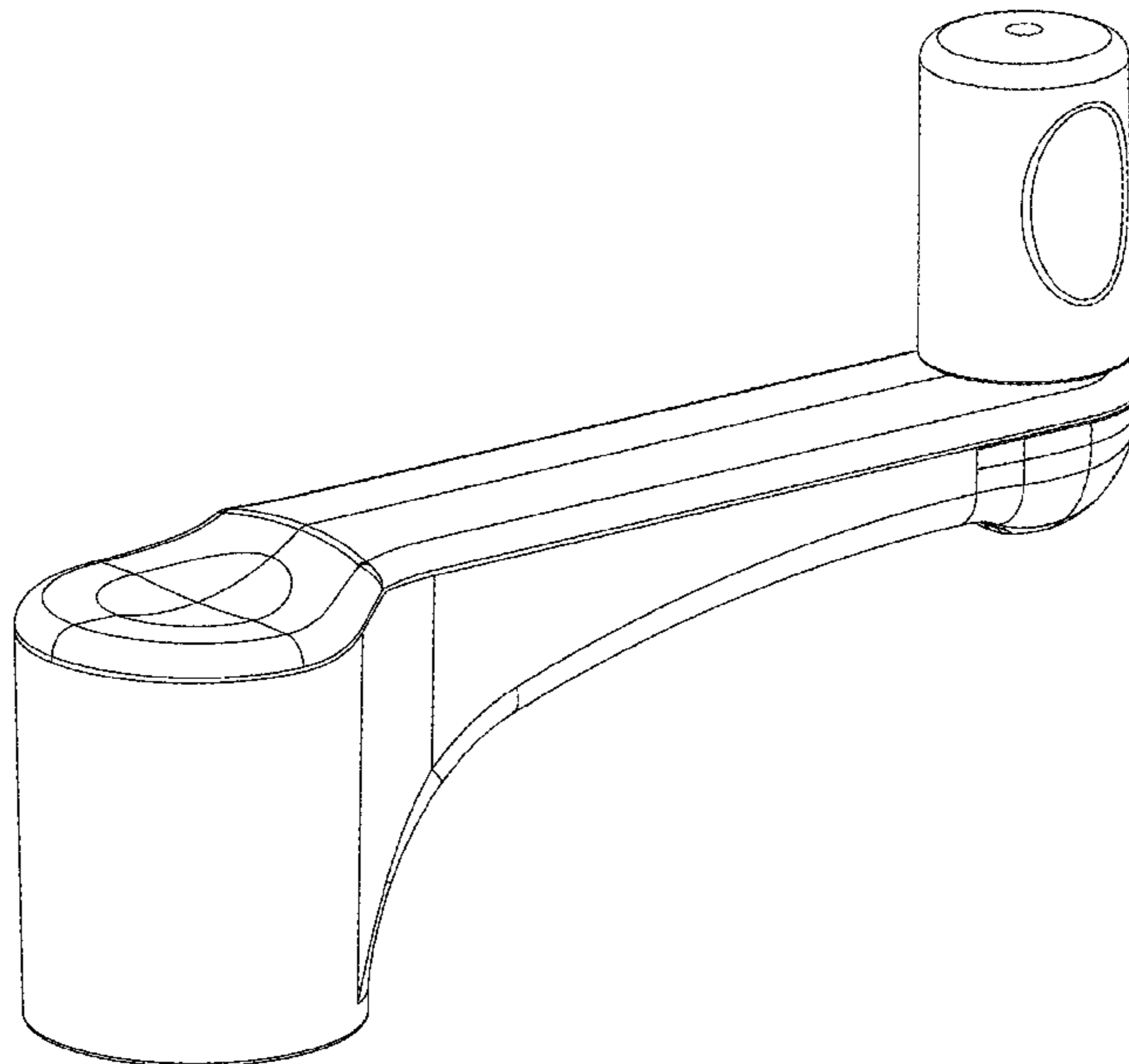
FIG. 5 is a right side view thereof;

FIG. 6 is a top view thereof; and,

FIG. 7 is a bottom view thereof.

The broken lines shown represent unclaimed subject matter and form no part of the claimed design.

**1 Claim, 7 Drawing Sheets**



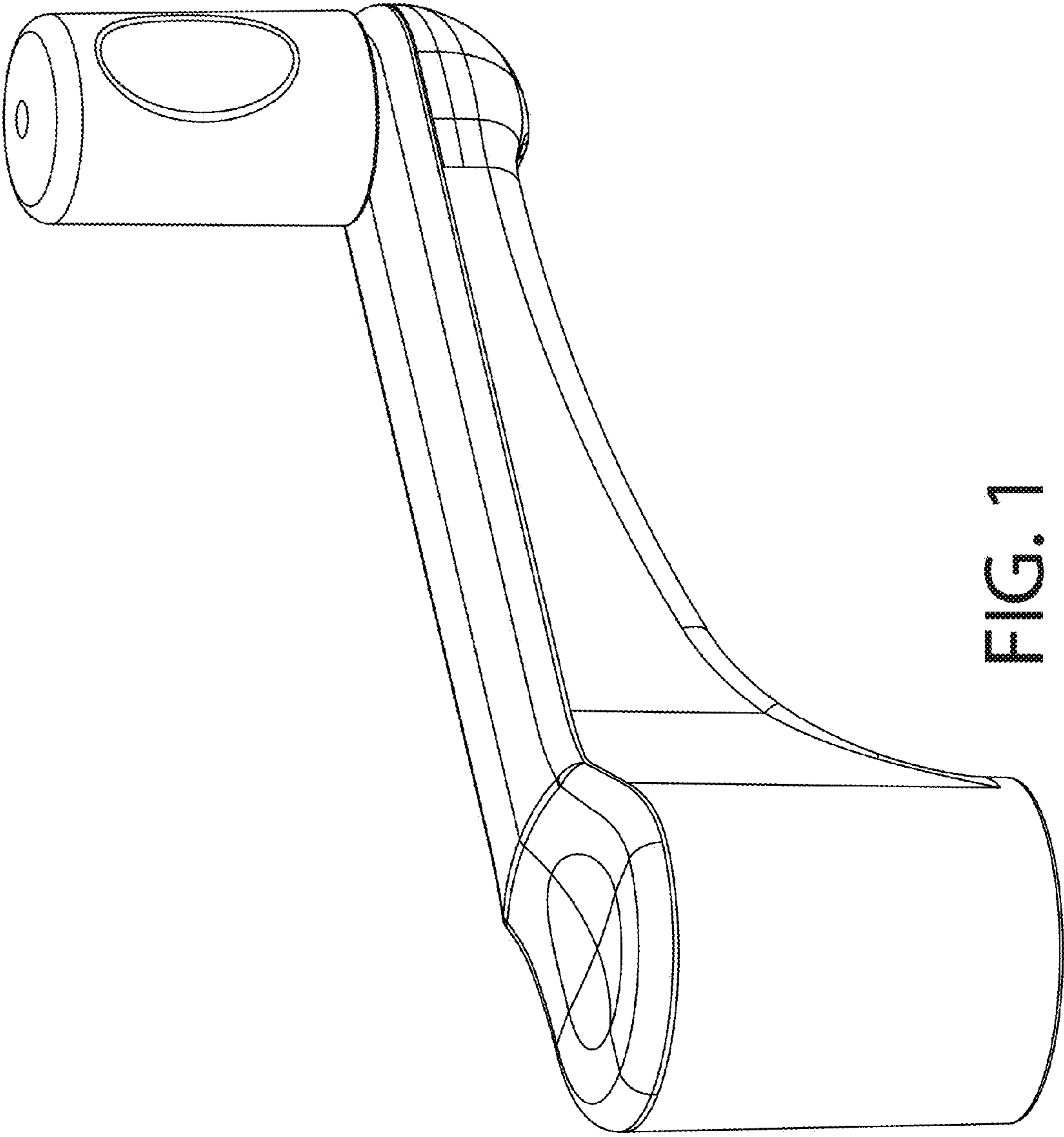


FIG. 1

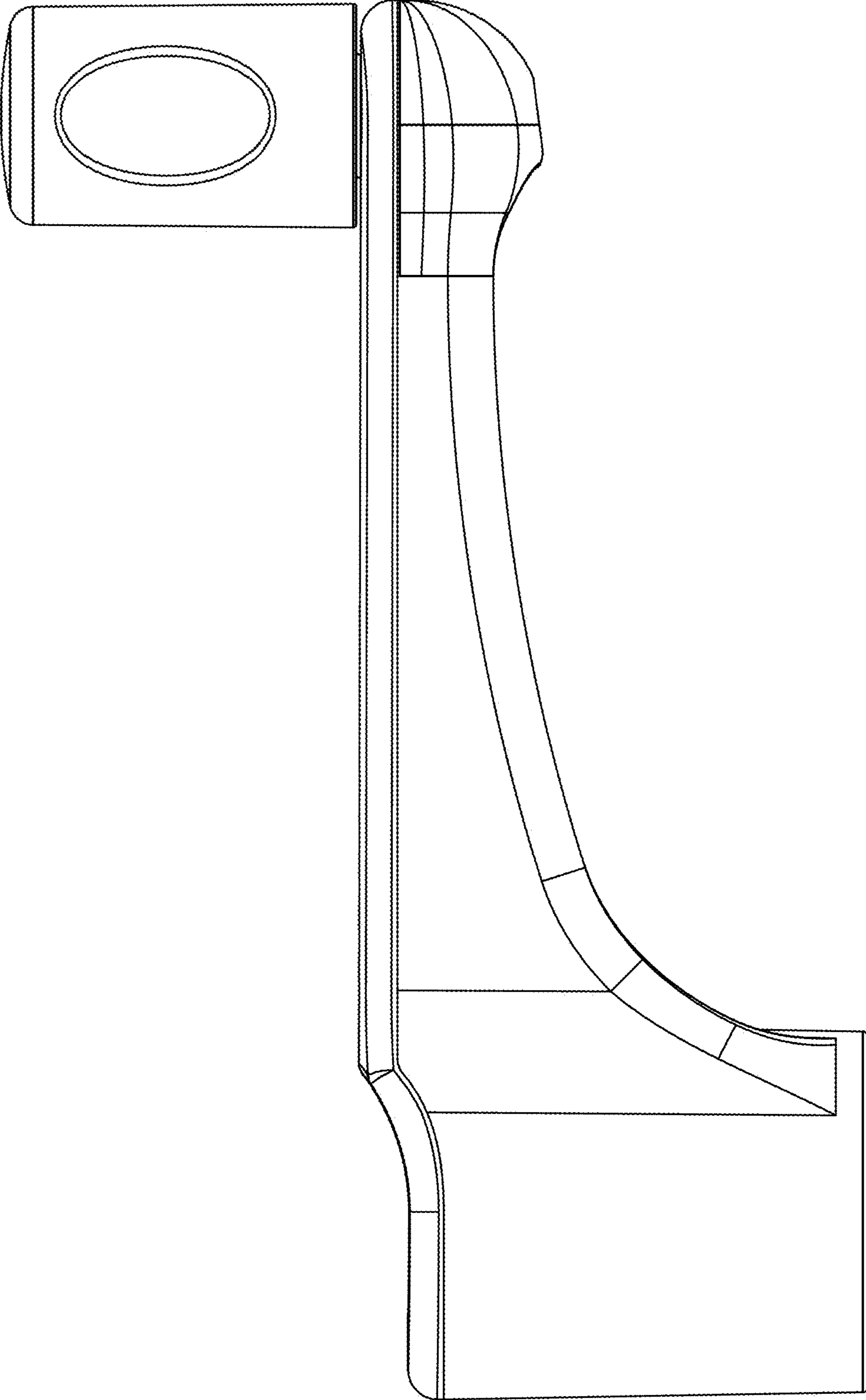


FIG. 2

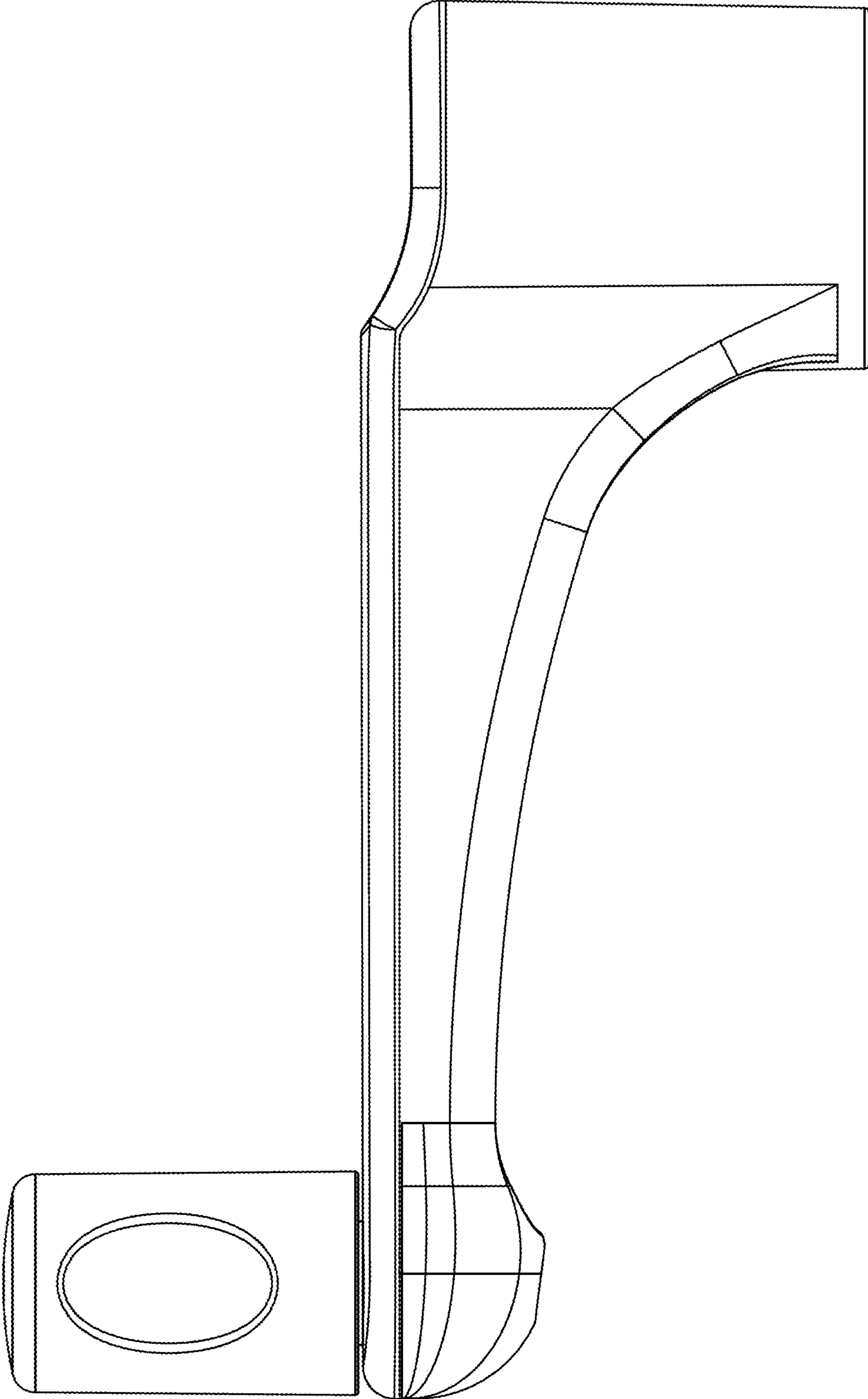


FIG. 3

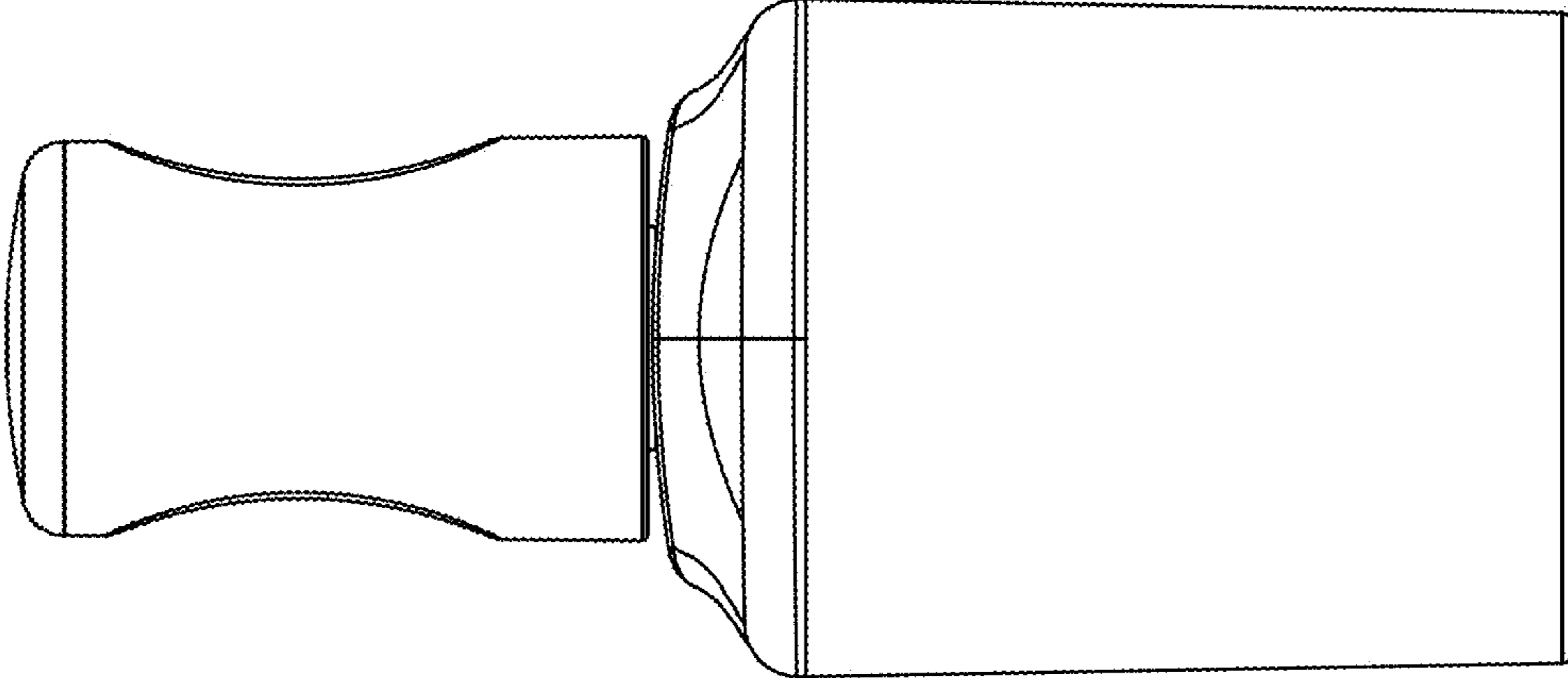


FIG. 4

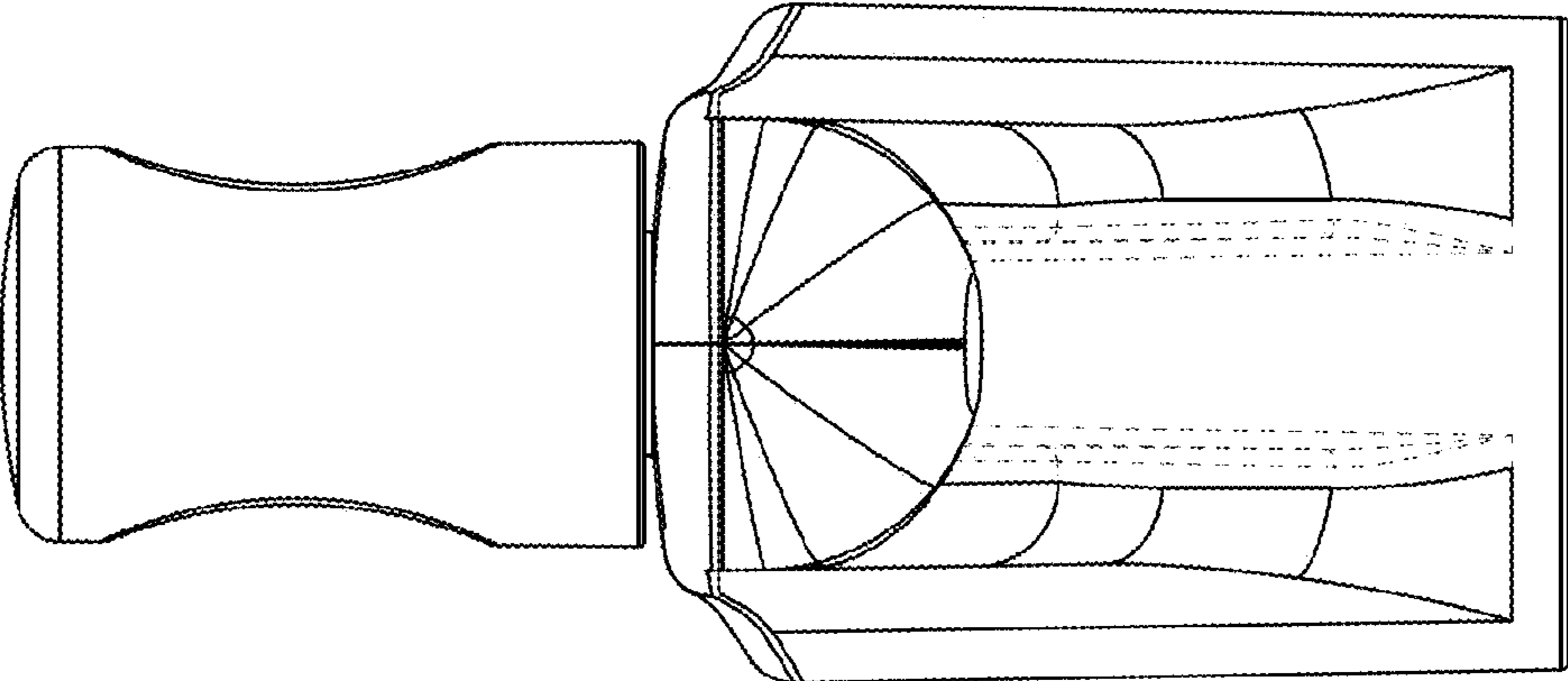


FIG. 5

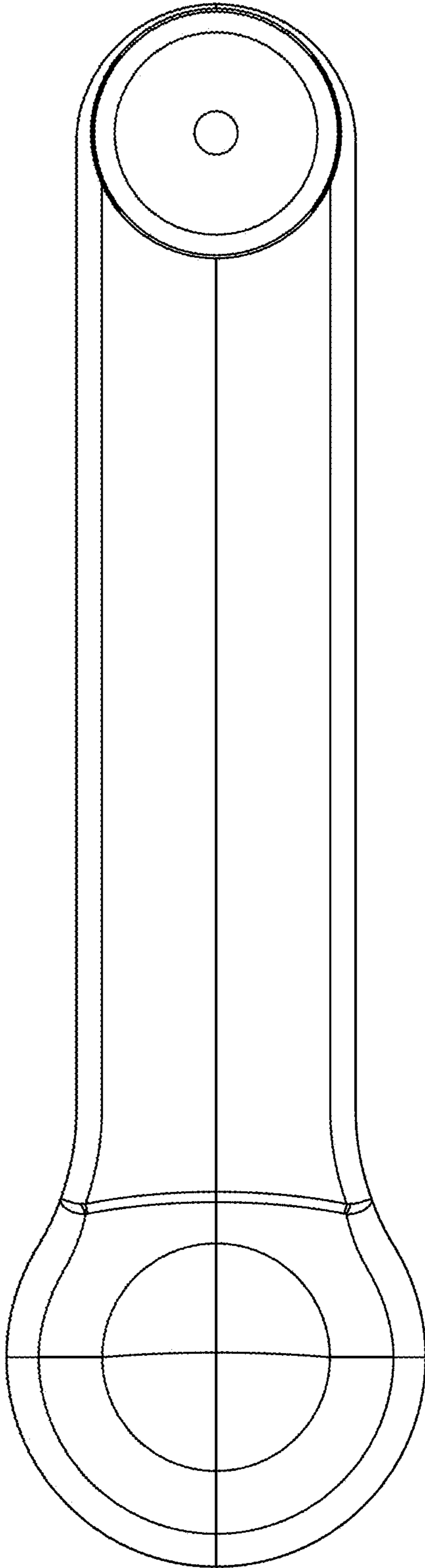


FIG. 6

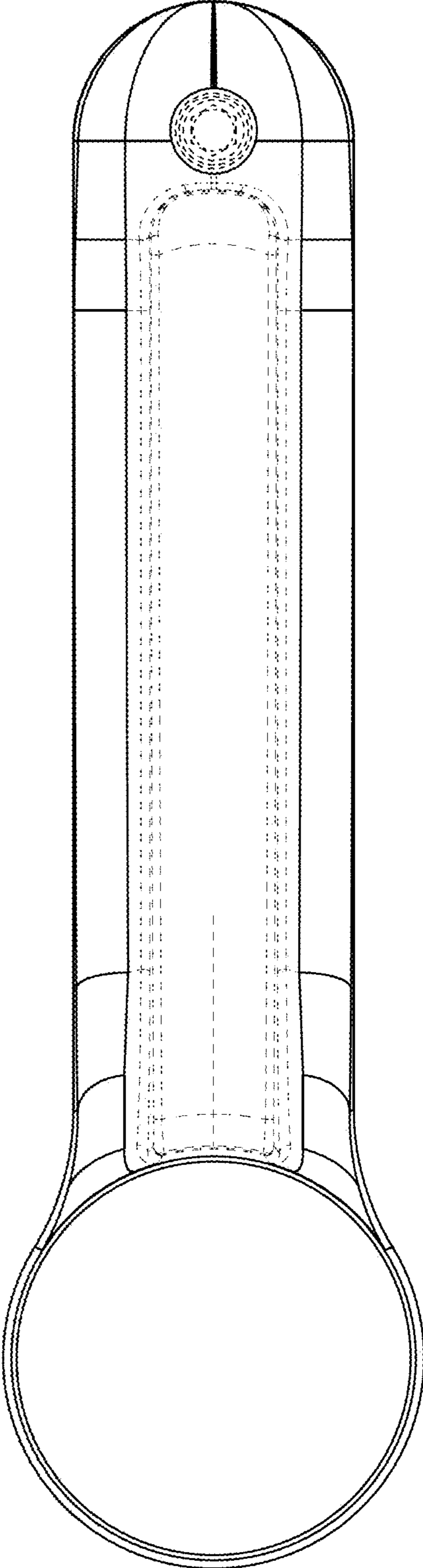


FIG. 7