

US00D760053S

(12) **United States Design Patent**
Schweigert

(10) **Patent No.:** **US D760,053 S**
(45) **Date of Patent:** **** Jun. 28, 2016**

(54) **WISE**
(71) Applicant: **Eduard Schweigert**, Syrgenstein (DE)
(72) Inventor: **Eduard Schweigert**, Syrgenstein (DE)
(73) Assignee: **ROEHM GMBH**, Sontheim (DE)
(**) Term: **14 Years**

D254,376 S * 3/1980 Glomb et al. D15/140
D417,599 S * 12/1999 Wolfe et al. D8/74
D421,208 S * 2/2000 Lavigne et al. D8/74
D482,051 S * 11/2003 Hanne et al. D15/140
D595,102 S * 6/2009 Francis et al. D8/74
D640,521 S * 6/2011 Tschida et al. D8/74
D647,381 S * 10/2011 Lin et al. D8/74
D716,627 S * 11/2014 Lin D8/74
2010/0013137 A1* 1/2010 Weller 269/218

(21) Appl. No.: **29/471,990**
(22) Filed: **Nov. 7, 2013**

(30) **Foreign Application Priority Data**
May 7, 2013 (EM) 002233122-0001
May 7, 2013 (EM) 002233122-0002
(51) **LOC (10) Cl.** **08-05**
(52) **U.S. Cl.**
USPC **D8/74**
(58) **Field of Classification Search**
USPC D8/71-74, 394-399, 354, 355, 356, 59;
248/62, 63, 72, 74.1, 689, 124.2;
81/487, 385, 386, 388-390; 269/3, 4,
269/6, 143, 165, 240, 243, 246-249, 254 R,
269/147-149; 29/256, 257, 276; D24/143;
408/103, 104-109; D7/683, 685, 686;
D6/684; D15/140
CPC B25B 1/00; B25B 5/00
See application file for complete search history.

OTHER PUBLICATIONS

Roehm, NC-Compact vice—RKE Type 743-10 RKE, <http://www.roehm.biz/en/produkte/produktuebersicht/overview-products/?action=showTypes&grpId=10066&cHash=be05f589c19b5fbdfdb2d427c09fb08c>.*

* cited by examiner

Primary Examiner — David Muller
Assistant Examiner — Nathan Johnston
(74) *Attorney, Agent, or Firm* — Andrew Wilford

(57) **CLAIM**
The ornamental design for a vise, as shown and described.

DESCRIPTION

FIG. 1 is a perspective view of a vise according to the invention, shown in the closed position without jaws bolted to the two pairs of holes on the upper side;
FIG. 2 is a top view of the invention;
FIG. 3 is a side view of the invention, the opposite side being a mirror image thereof;
FIG. 4 is a front end view of the invention;
FIG. 5 is a rear end view of the invention; and,
FIG. 6 is a bottom view of the invention.
The broken-line showing of parts of the drawing is included for the purpose of illustrating use and environment and forms no part of the claimed design.

(56) **References Cited**
U.S. PATENT DOCUMENTS
2,889,757 A * 6/1959 Cole 33/538
3,051,473 A * 8/1962 Juhase 269/95
3,397,880 A * 8/1968 Kuban 269/240
D234,118 S * 1/1975 Molitors D8/74

1 Claim, 2 Drawing Sheets

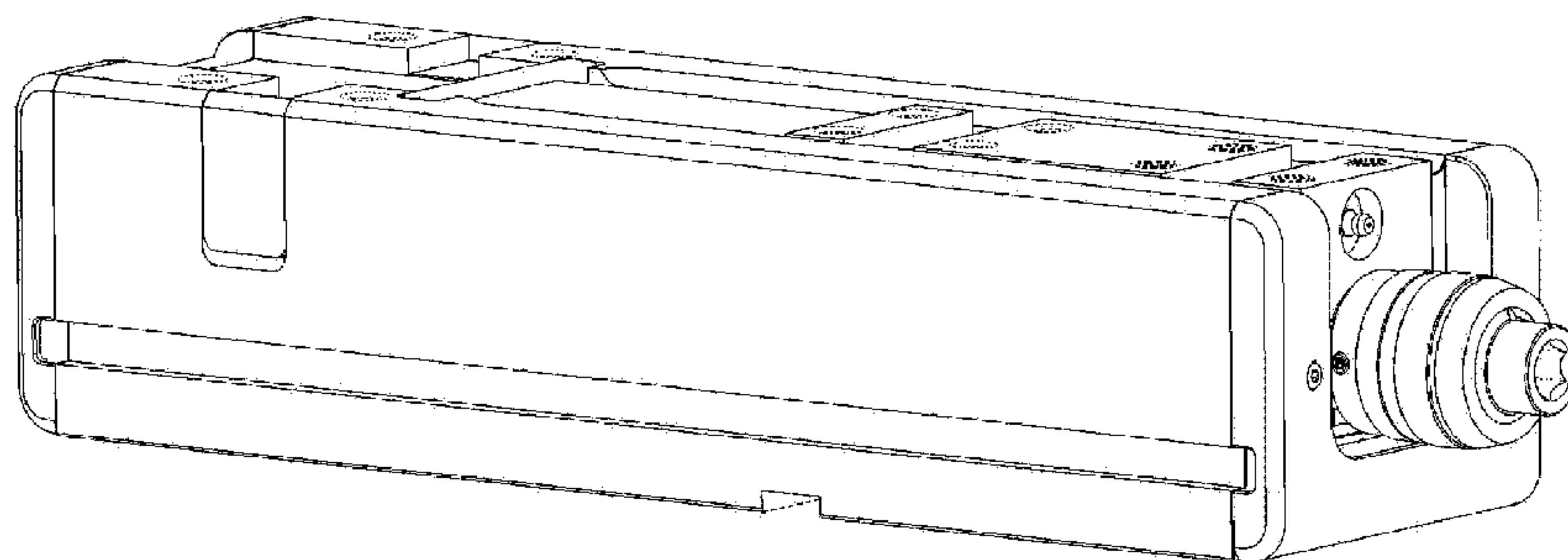


Fig. 1

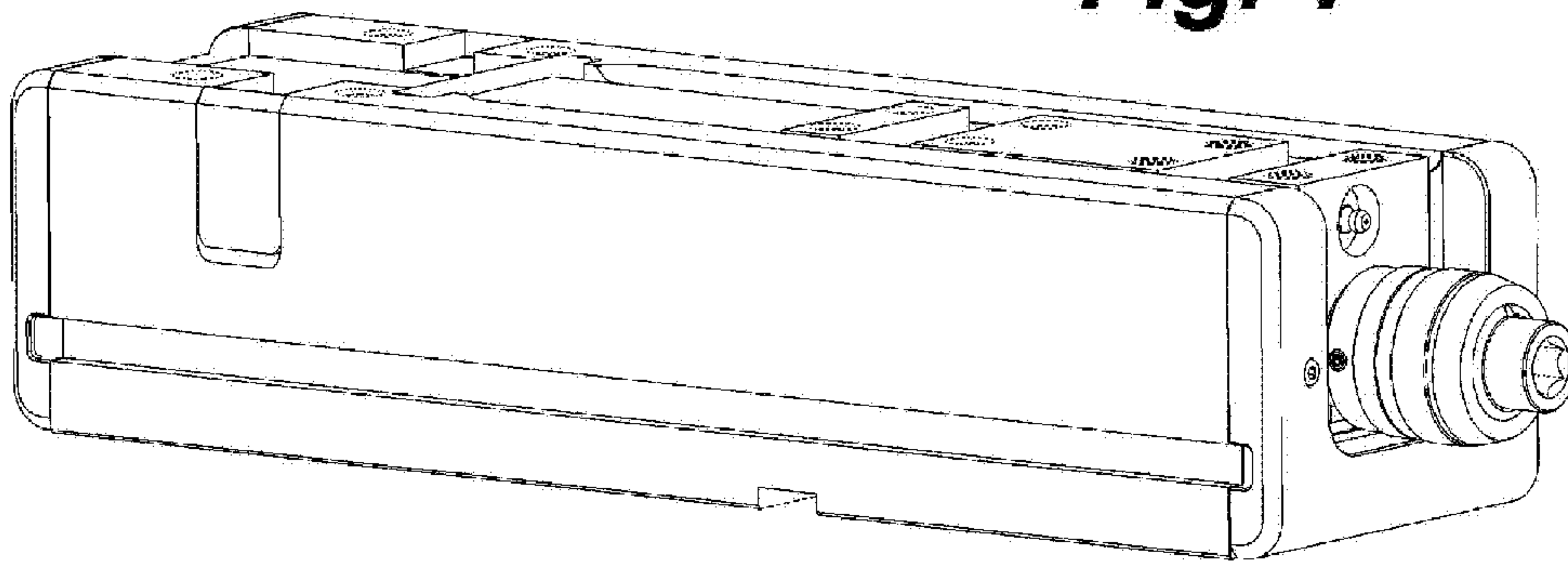


Fig. 2

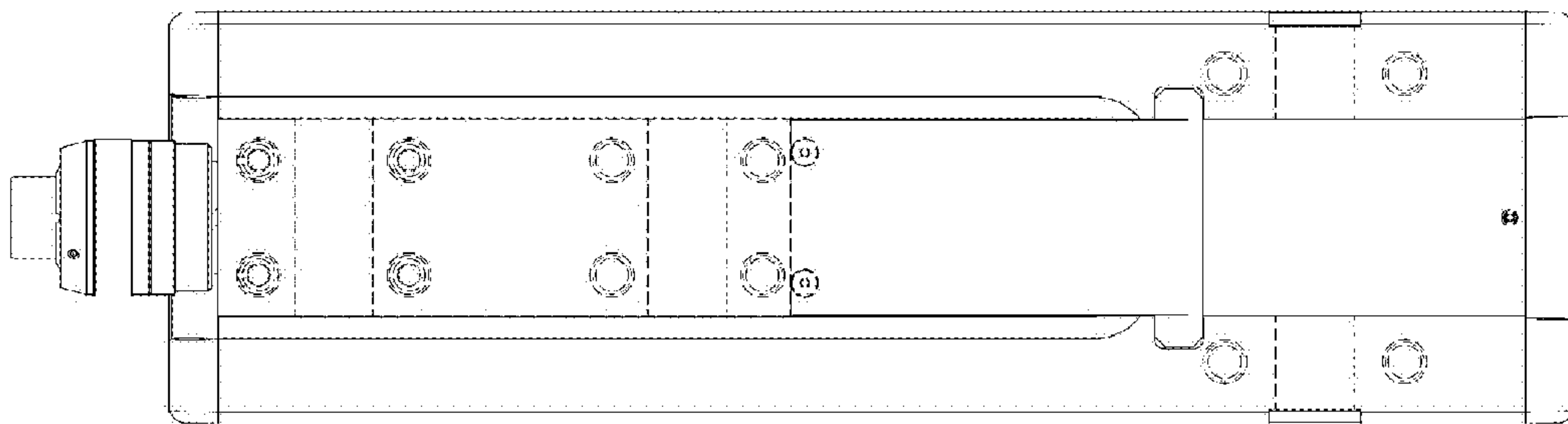


Fig. 3

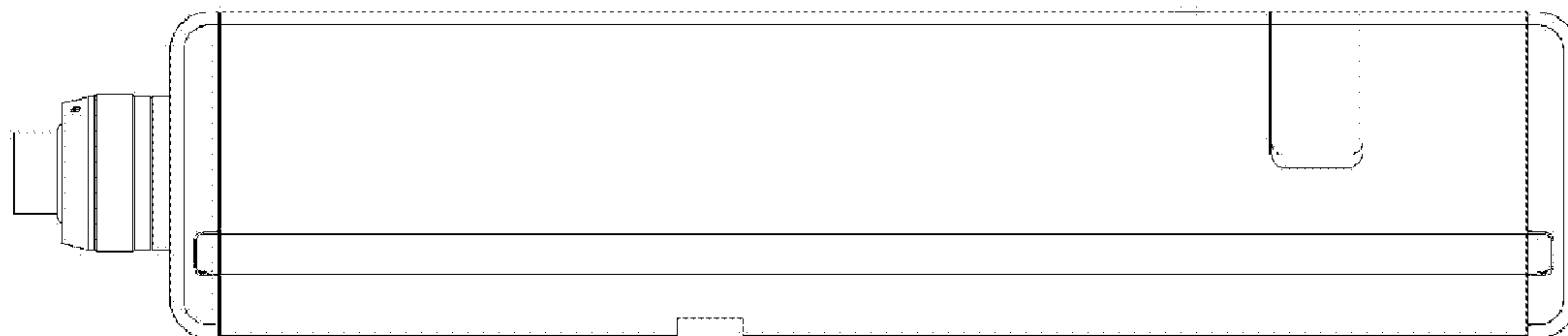


Fig. 4

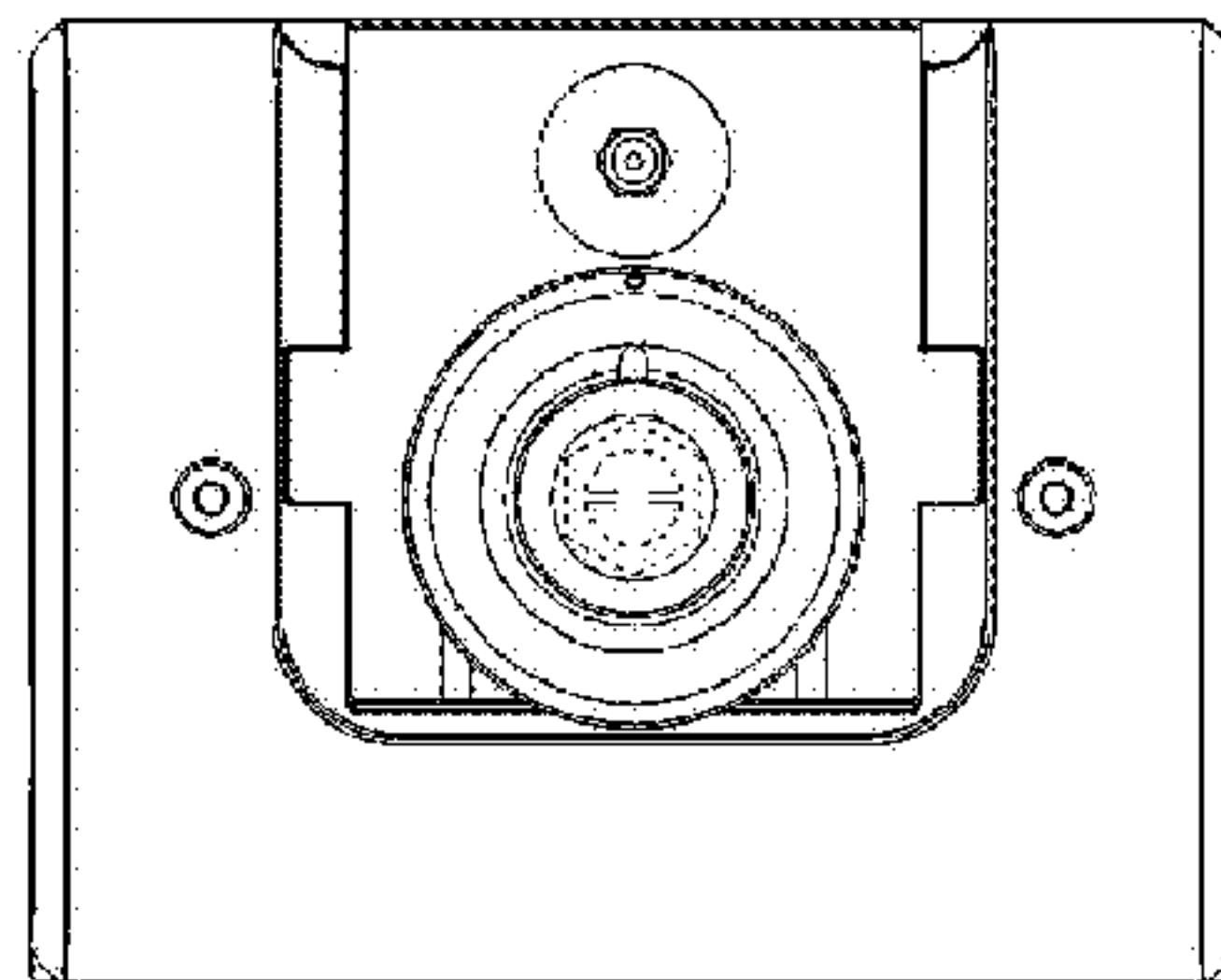


Fig. 5

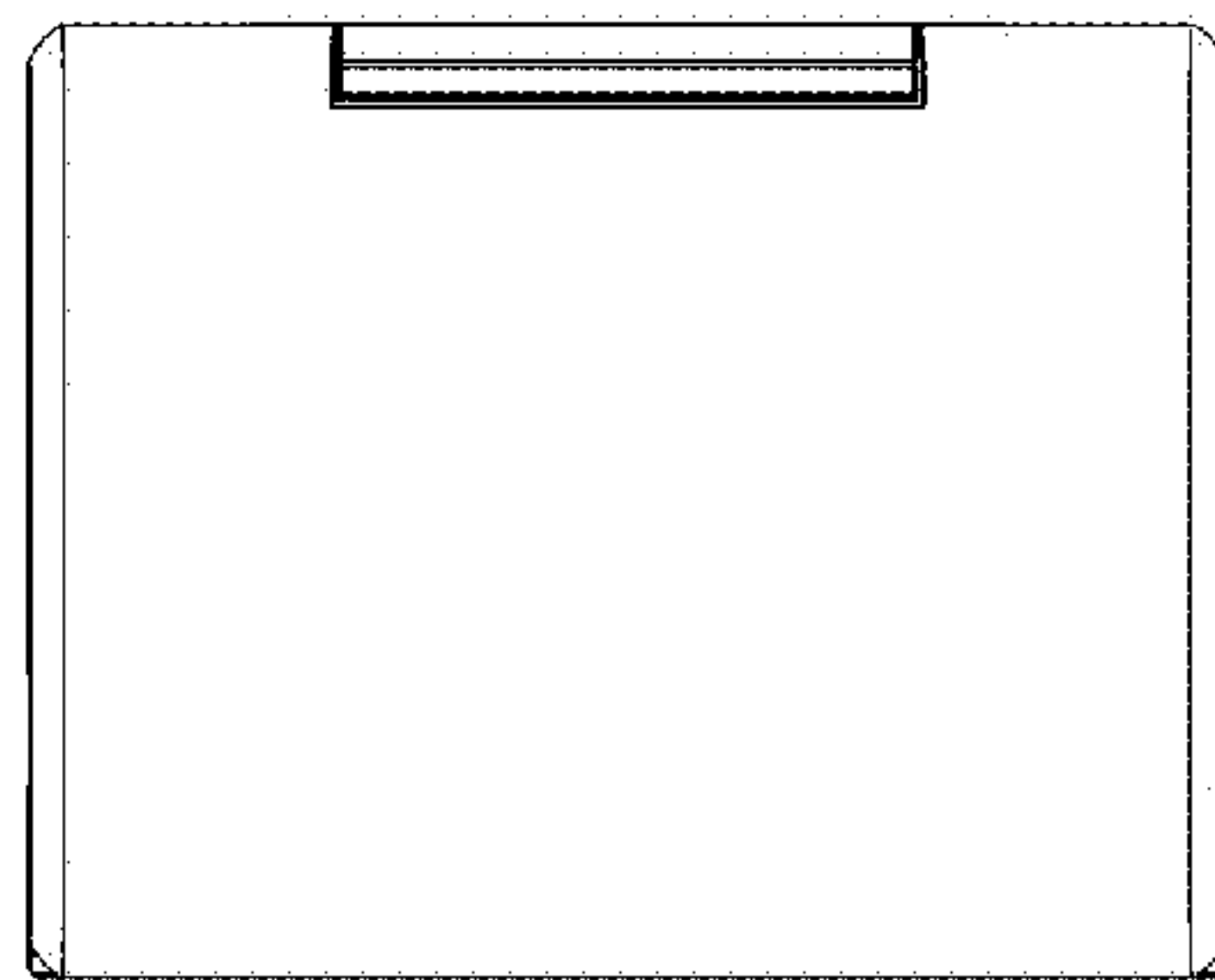


Fig. 6

