



US00D760052S

(12) **United States Design Patent**
Blood et al.

(10) **Patent No.:** **US D760,052 S**
(45) **Date of Patent:** **** Jun. 28, 2016**

- (54) **PIPE CARRYING DEVICE**
- (71) Applicants: **Scott Blood**, Salmon, ID (US); **Kevin Drake**, Comstock, NE (US)
- (72) Inventors: **Scott Blood**, Salmon, ID (US); **Kevin Drake**, Comstock, NE (US)
- (**) Term: **14 Years**
- (21) Appl. No.: **29/513,315**
- (22) Filed: **Dec. 30, 2014**
- (51) **LOC (10) Cl.** **08-05**
- (52) **U.S. Cl.**
USPC **D8/71**
- (58) **Field of Classification Search**
USPC D8/51, 52, 58, 71, 72, 73; 294/11, 118,
294/119, 106; 138/99; 81/415
CPC F16L 55/1715; F16L 55/17
See application file for complete search history.

4,893,393 A 1/1990 Marshall
6,012,363 A 1/2000 Minkin
6,276,732 B1 8/2001 Hauss
6,595,566 B1 7/2003 Donnan
6,745,651 B2 * 6/2004 Porter B25B 7/02
81/415
2013/0099515 A1 4/2013 Guerrero

FOREIGN PATENT DOCUMENTS

WO WO0139928 6/2001

* cited by examiner

Primary Examiner — Lakiya Rogers
Assistant Examiner — Harold Blackwell, II
(74) *Attorney, Agent, or Firm* — Goldstein Law Offices, P.C.

(57) **CLAIM**

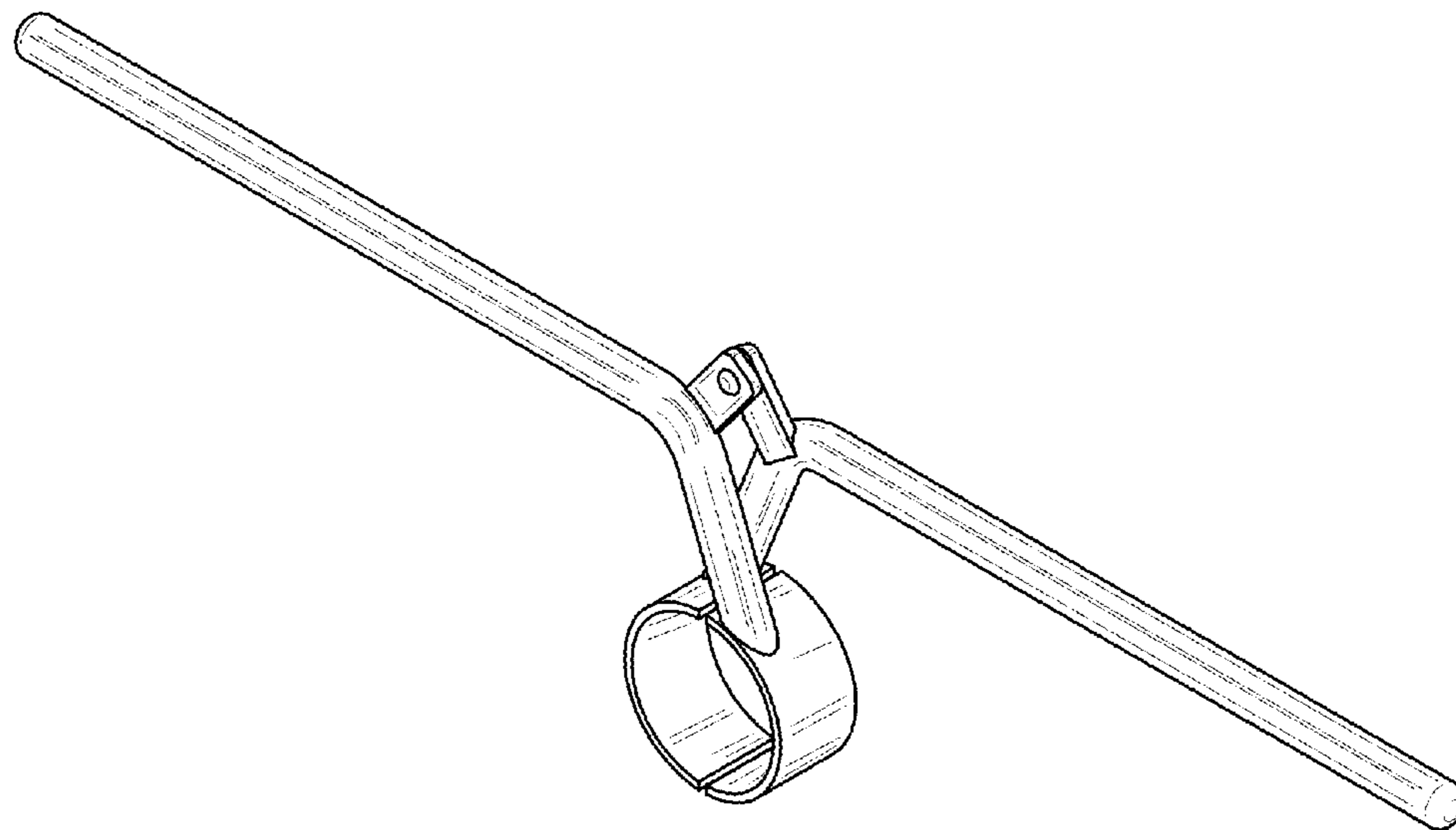
The ornamental design for a pipe carrying device, as shown and described.

DESCRIPTION

FIG. 1 is a perspective view of the pipe carrying device in full lines.
FIG. 2 is a front elevational view of the pipe carrying device.
FIG. 3 is a rear elevational view thereof.
FIG. 4 is a top plan view thereof.
FIG. 5 is a bottom plan view thereof.
FIG. 6 is a right side elevational view thereof.
FIG. 7 is a left side elevational view thereof; and,
FIG. 8 is an alternate perspective view thereof shown with environment.
The broken lines showing in FIG. 8 are for the purposes of illustrating the environment of the article only and form no part of the claimed design.

1 Claim, 5 Drawing Sheets

- (56) **References Cited**
- U.S. PATENT DOCUMENTS
- 297,788 A * 4/1884 Green B65G 7/12
294/118
- 1,484,100 A * 2/1924 Wertz F24B 15/10
294/11
- 2,507,368 A * 5/1950 Gustaf B65G 7/12
294/106
- 2,597,760 A * 5/1952 Strahm F16L 1/06
294/106
- 2,655,401 A * 10/1953 Kelso B66C 1/422
294/106
- 3,502,112 A * 3/1970 Hankila F16L 55/17
138/99



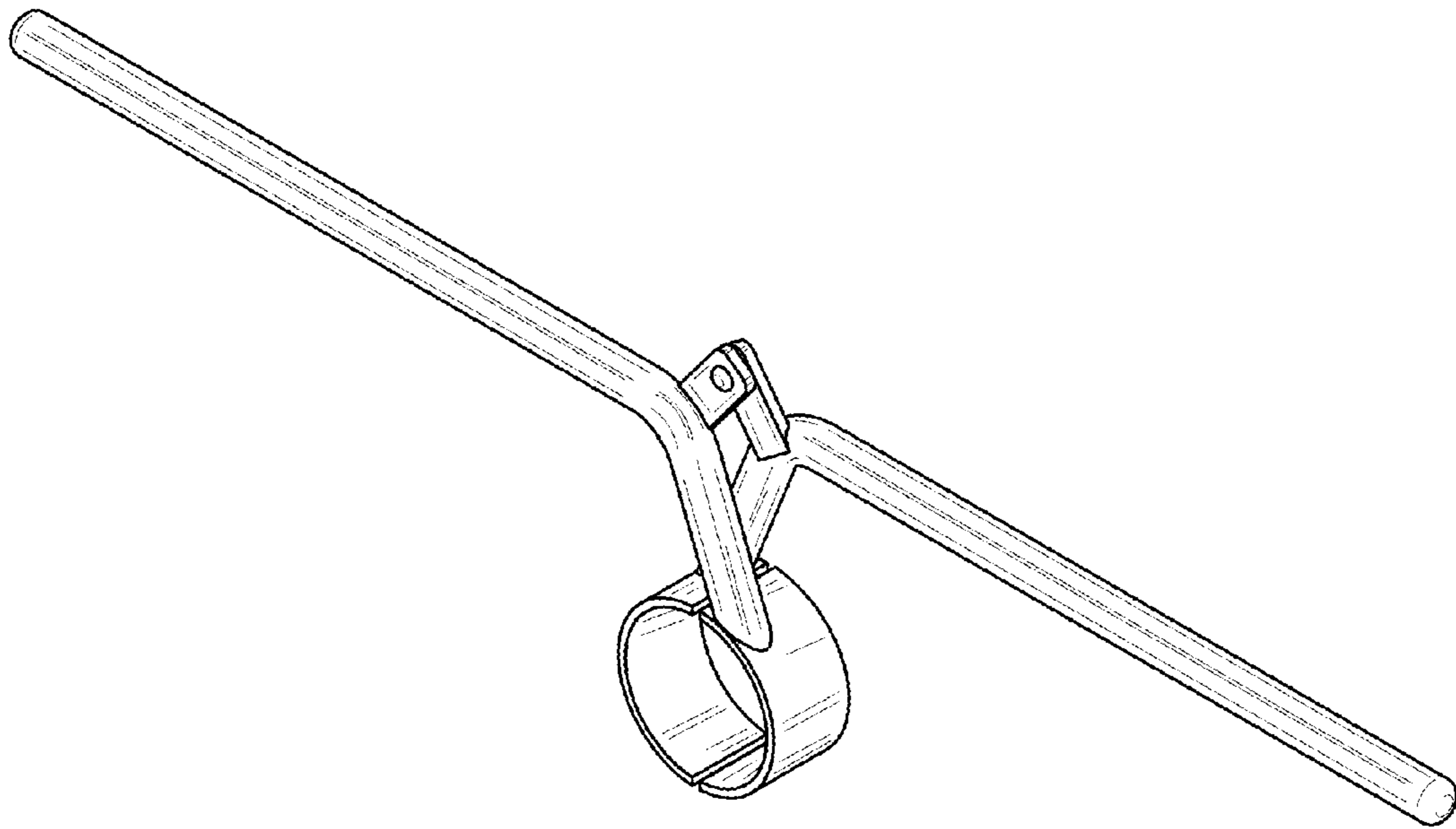


FIG. 1

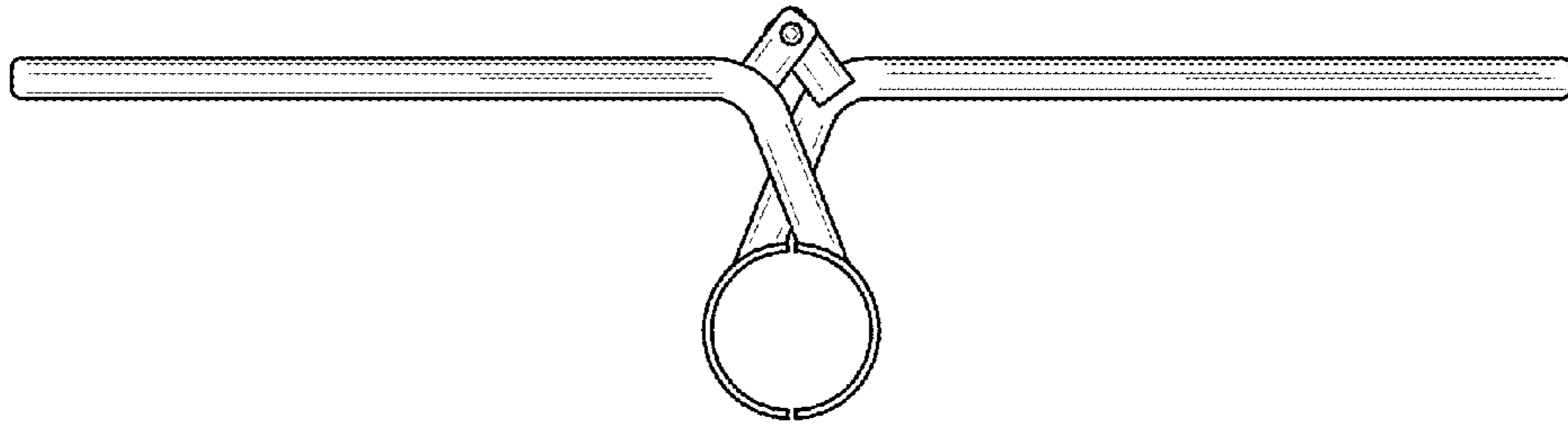


FIG. 2

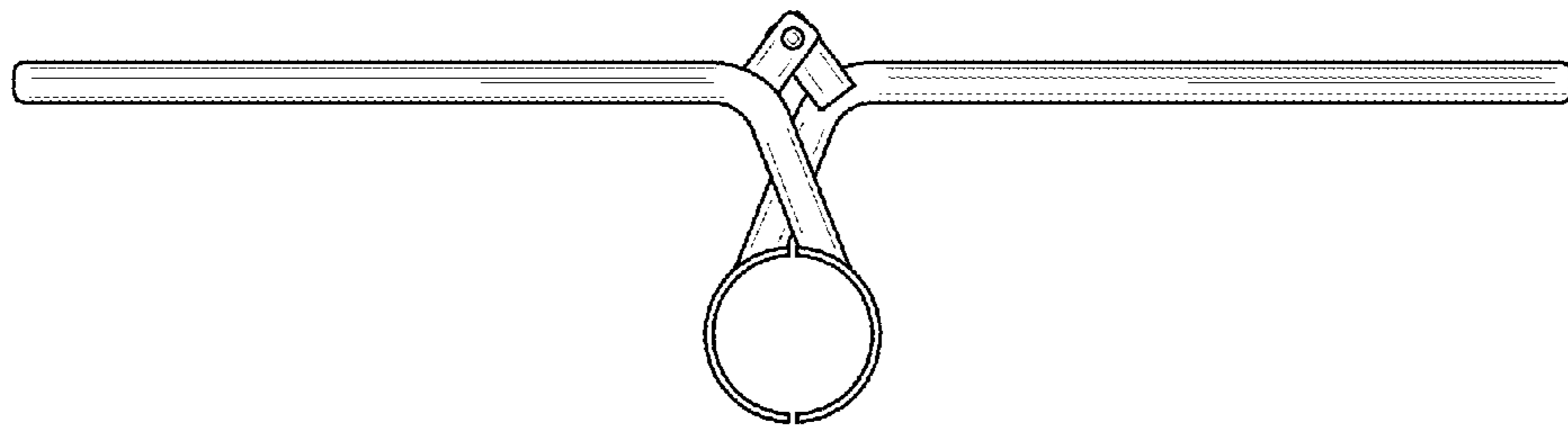


FIG. 3



FIG. 4



FIG. 5

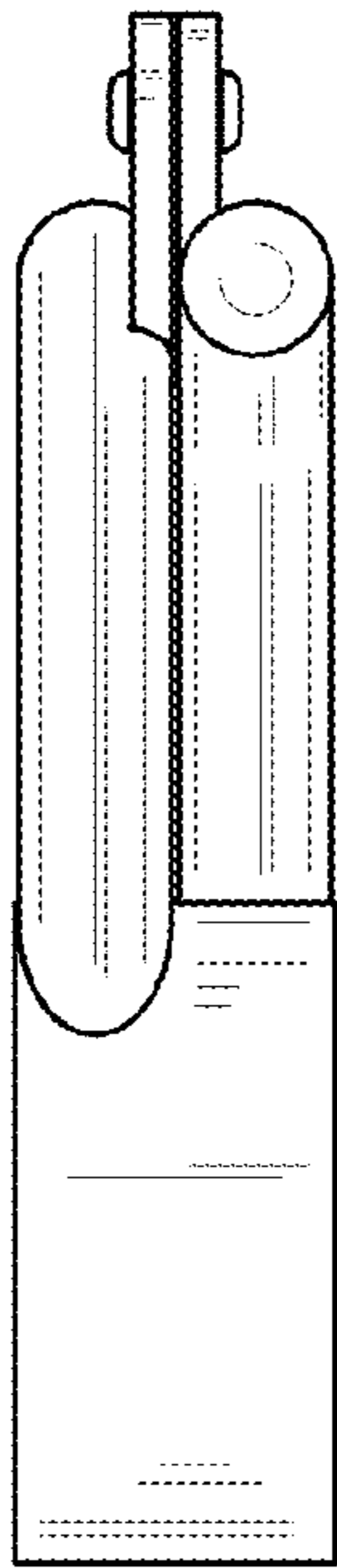


FIG. 6

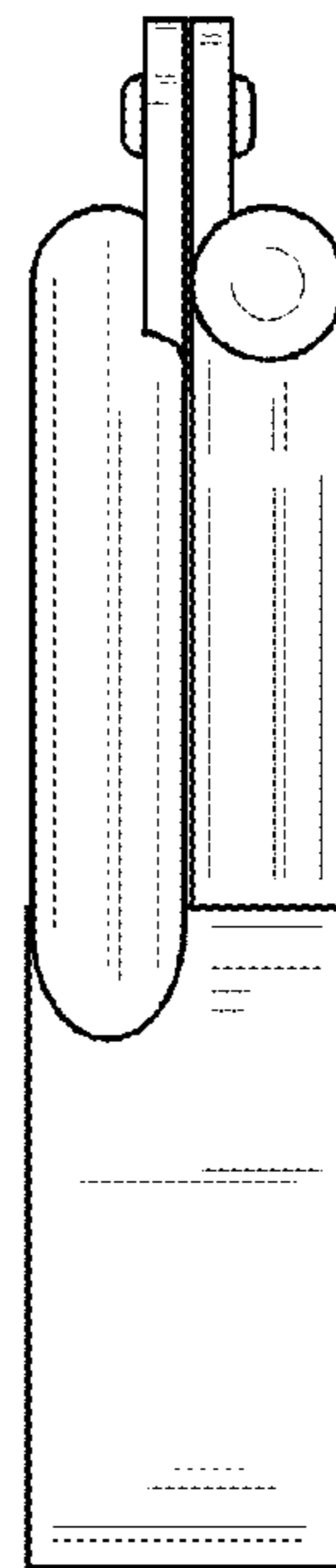


FIG. 7

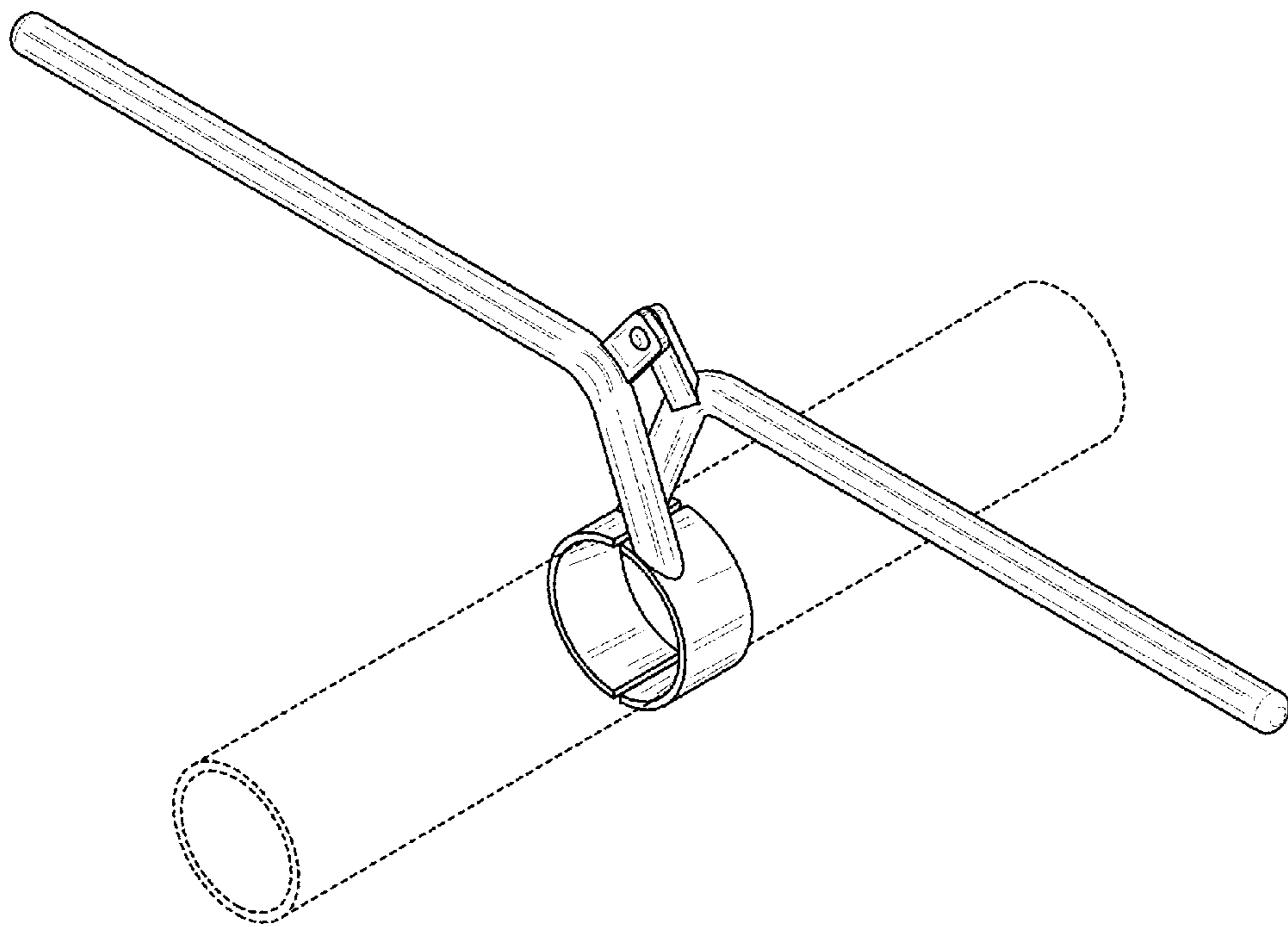


FIG. 8