



US00D760050S

(12) **United States Design Patent**
Liao et al.

(10) **Patent No.:** **US D760,050 S**
(45) **Date of Patent:** **** Jun. 28, 2016**

- (54) **PLIER TOOL**
- (71) Applicant: **HANLONG INDUSTRIAL CO., LTD.,**
New Taipei (TW)
- (72) Inventors: **Chien-Chou Liao,** Tu Cheng (TW);
Wan-Yu Chiang, Tu Cheng (TW)
- (73) Assignee: **Hanlong Industrial Co., Ltd.,** New
Taipei (TW)
- (**) Term: **14 Years**
- (21) Appl. No.: **29/490,709**
- (22) Filed: **May 13, 2014**
- (51) **LOC (10) Cl.** **08-05**
- (52) **U.S. Cl.**
USPC **D8/52; D8/55; D8/56**
- (58) **Field of Classification Search**
USPC D8/4, 5, 51-56
CPC H02G 1/1204; H02G 1/1214; B25F 1/003;
B25F 1/04; B25B 7/02; B25B 7/22
See application file for complete search history.

- 5,894,617 A * 4/1999 Liou B25B 7/02
7/107
- 6,012,357 A * 1/2000 John H02G 1/1214
30/90.1
- D421,376 S * 3/2000 Neff D8/58
- 6,477,776 B1 * 11/2002 Jee H02G 1/1224
30/90.1
- 6,619,158 B2 * 9/2003 Bates H02G 1/1214
30/90.1
- D485,146 S * 1/2004 Rivera D8/105
- 7,171,712 B2 * 2/2007 Konen H02G 1/1214
7/107
- D653,093 S * 1/2012 Hedrick D8/52
- 2003/0177587 A1 * 9/2003 Wang H02G 1/1214
7/107
- 2011/0113564 A1 * 5/2011 Liao H02G 1/1224
7/107
- 2015/0295391 A1 * 10/2015 Liao H01R 43/0421
7/107

* cited by examiner

Primary Examiner — Deanna L Pratt

(74) *Attorney, Agent, or Firm* — Alan D. Kamrath; Kamrath
IP Lawfirm, P.A.

(57) **CLAIM**

The ornamental design for a plier tool, as shown and
described.

DESCRIPTION

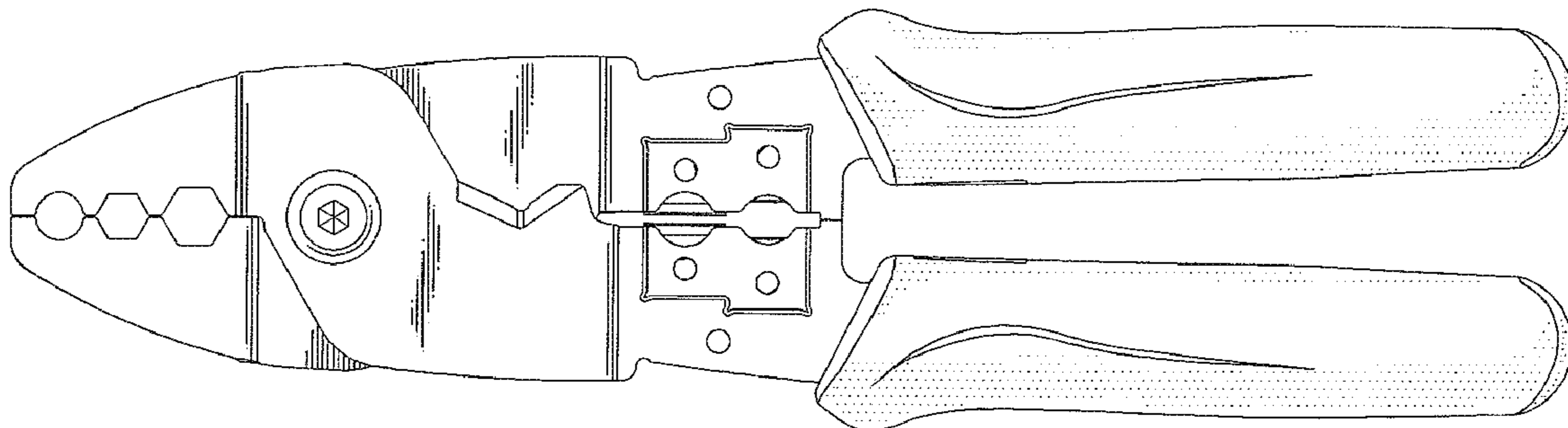
FIG. 1 is a perspective view of a plier tool in accordance with
the design;
FIG. 2 is a front view thereof;
FIG. 3 is a rear view thereof;
FIG. 4 is a left view thereof;
FIG. 5 is a right view thereof;
FIG. 6 is a top view thereof; and,
FIG. 7 is a bottom view thereof.

1 Claim, 5 Drawing Sheets

(56) **References Cited**

U.S. PATENT DOCUMENTS

- D188,071 S * 5/1960 Lee D8/52
- D213,848 S * 4/1969 Hindenburg D8/56
- 3,525,107 A * 8/1970 Hays H01R 43/042
7/107
- 3,947,905 A * 4/1976 Neff B25B 7/22
7/107
- D245,751 S * 9/1977 Wiener D8/52
- D245,752 S * 9/1977 Wiener D8/52
- D327,826 S * 7/1992 Neff D8/52
- 5,711,182 A * 1/1998 Yang H03G 1/1214
30/90.1



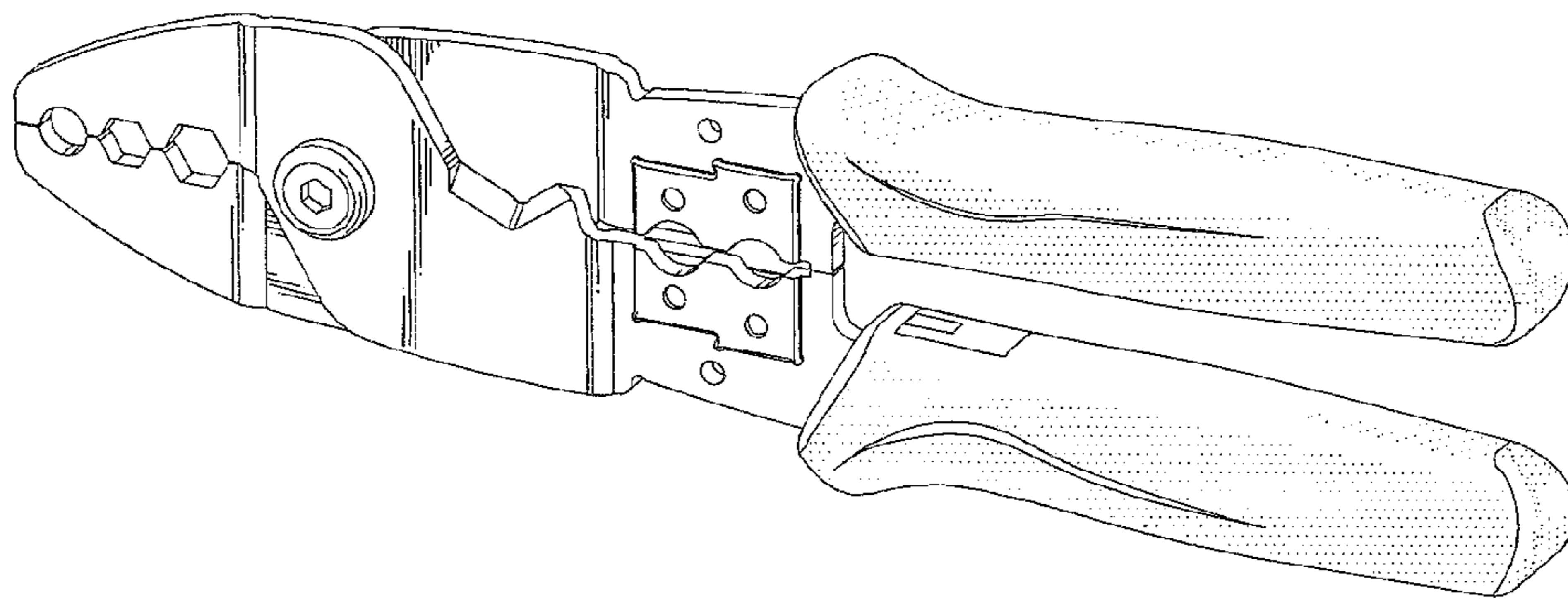


FIG. 1

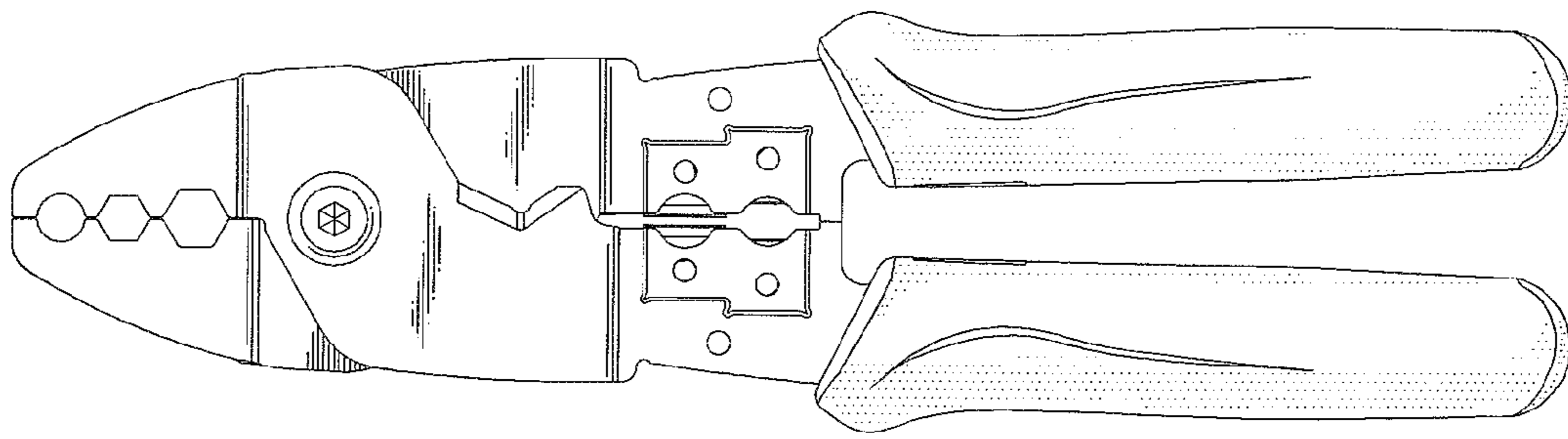


FIG. 2

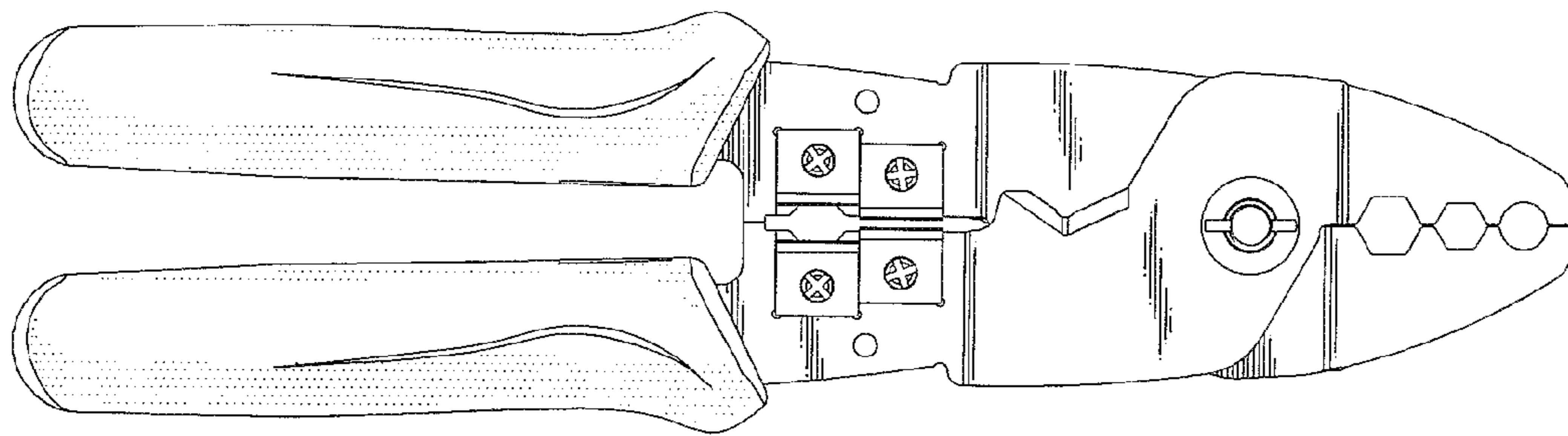


FIG. 3

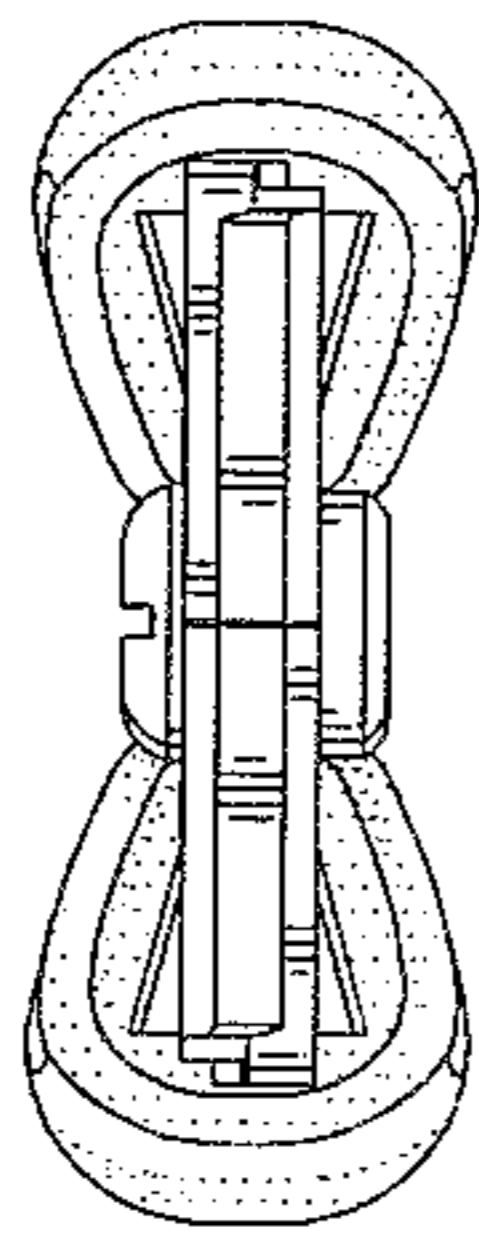


FIG. 4

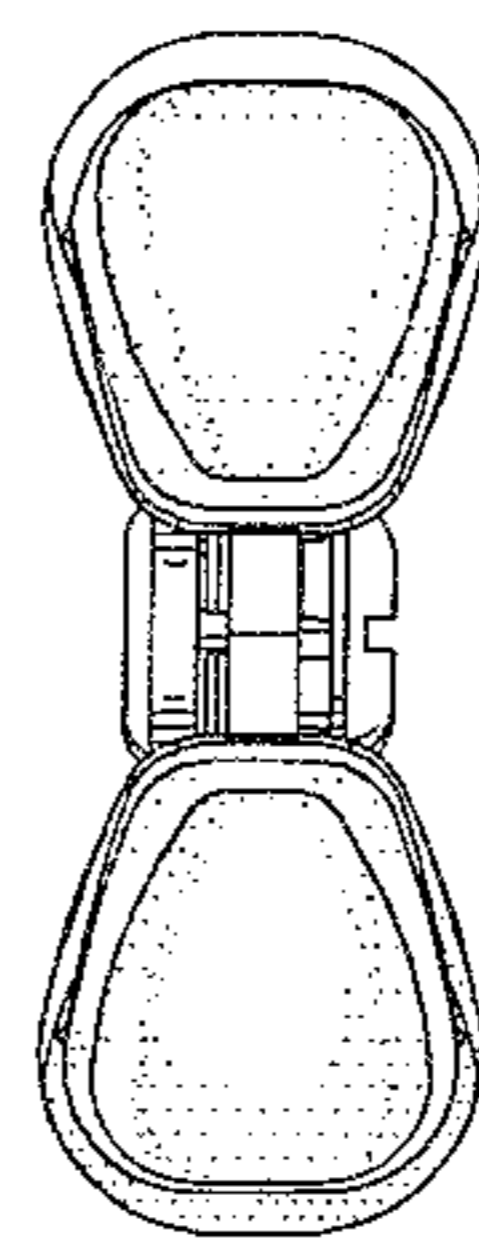


FIG. 5

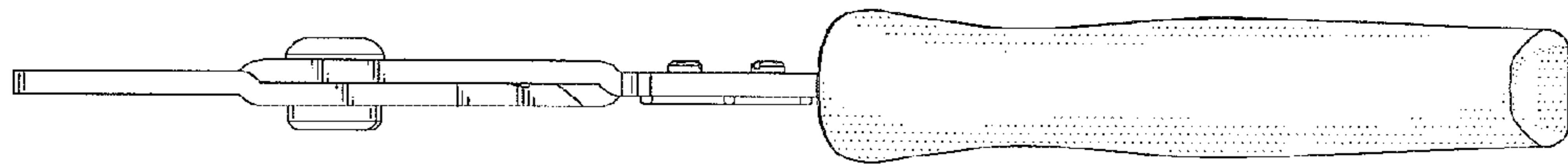


FIG. 6

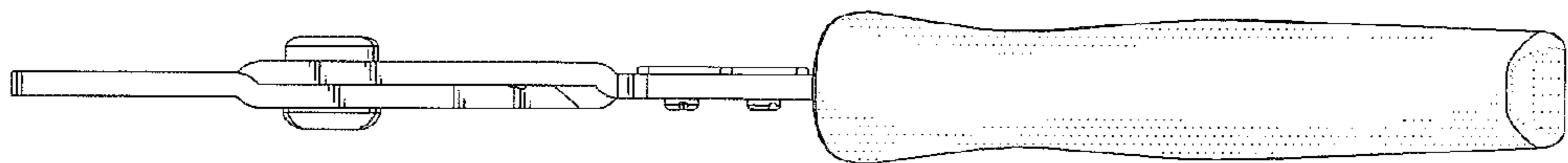


FIG. 7