



US00D760049S

(12) **United States Design Patent**
Levand

(10) **Patent No.:** **US D760,049 S**
(45) **Date of Patent:** **** Jun. 28, 2016**

(54) **SWIVEL PREP TOOL** 5,251,352 A * 10/1993 Cullison B25F 1/04
30/169

(71) Applicant: **THE SHERWIN-WILLIAMS** D345,289 S 3/1994 Sakai
COMPANY, Cleveland, OH (US) D347,374 S 5/1994 Sakai
D347,375 S 5/1994 Sakai

(72) Inventor: **Victor J. Levand, Lyndhurst, OH (US)** D348,599 S 7/1994 Sakai
D356,723 S 3/1995 Sakai
5,450,670 A 9/1995 Sakai

(73) Assignee: **THE SHERWIN-WILLIAMS** D367,599 S 3/1996 Sakai
COMPANY, Cleveland, OH (US) 5,546,625 A * 8/1996 Mealey, Sr. B05C 21/00
15/105

(**) Term: **14 Years** D399,621 S 10/1998 Henke
5,822,867 A 10/1998 Sakai
5,887,347 A 3/1999 Gibbs

(21) Appl. No.: **29/519,712** (Continued)

(22) Filed: **Mar. 6, 2015**

(51) **LOC (10) Cl.** **08-05**

(52) **U.S. Cl.**
USPC **D8/45; D32/46**

(58) **Field of Classification Search**
USPC D8/14, 45, 99, 105, 107; D32/40, 46,
D32/48, 49; 15/105, 105.5, 143.1; 425/458;
30/155, 161, 169, 172; 81/440, 489;
7/105, 164, 167
CPC B25F 1/00; B25F 1/02; B25F 1/04;
B25G 1/04; B25G 1/085; B25G 3/00; B44D
3/006; B44D 3/10; B44D 3/105; B44D 3/162;
B44D 3/164; B44C 7/02; B44C 7/08
See application file for complete search history.

(56) **References Cited**

U.S. PATENT DOCUMENTS

50,021 A * 9/1865 McCurdy B25B 15/008
81/440

98,949 A 1/1870 Gerelds

929,194 A 7/1909 Compton

960,624 A * 6/1910 Compton A46B 15/0002
15/105

996,231 A * 6/1911 Evens B26B 1/046
30/161

1,065,863 A * 6/1913 Carter B26B 1/02
30/155

1,264,430 A * 4/1918 Ossman B44D 3/162
7/105

D268,085 S * 3/1983 Brunson D8/14

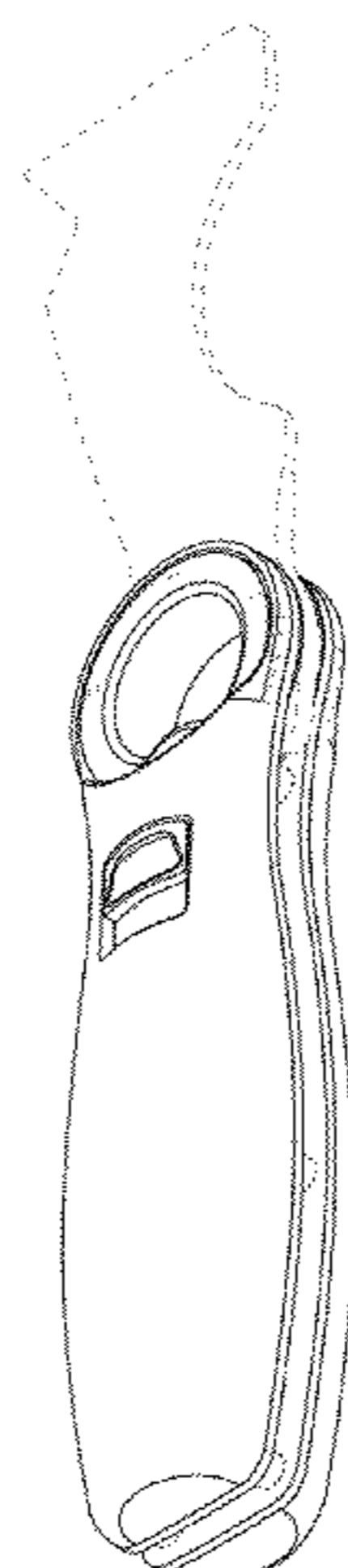
Primary Examiner — Philip S Hyder
Assistant Examiner — Roselynn Cody
(74) *Attorney, Agent, or Firm* — Daniel A. Sherwin; James
C. Scott; Vivien Y. Tsang

(57) **CLAIM**
The ornamental design for a swivel prep tool, as shown and
described.

DESCRIPTION

FIG. 1 is a top front perspective view of a swivel prep tool in
an open position showing our new design;
FIG. 2 is a bottom front perspective view of the swivel prep
tool illustrated in FIG. 1;
FIG. 3 is front view of the swivel prep tool illustrated in FIG.
1;
FIG. 4 is a rear view of the swivel prep tool illustrated in FIG.
1;
FIG. 5 is a left side view of the swivel prep tool illustrated in
FIG. 1;
FIG. 6 is a right side view of the swivel prep tool illustrated in
FIG. 1;
FIG. 7 is a top view of the swivel prep tool illustrated in FIG.
1; and,
FIG. 8 is a bottom view of the swivel prep tool illustrated in
FIG. 1.
The broken lines shown are for illustrative purposes only and
form no part of the claimed designed.

1 Claim, 4 Drawing Sheets



(56)

References Cited

U.S. PATENT DOCUMENTS

5,956,788	A *	9/1999	Henke	B44D 3/164				
						7/105			
5,964,035	A	10/1999	Poehlmann						
5,979,058	A	11/1999	Henke						
D419,851	S *	2/2000	Cheng	D8/107				
D424,390	S *	5/2000	Denton	D8/105				
6,131,222	A *	10/2000	Anderson	B25F 1/003				
						7/105			
D444,692	S *	7/2001	Marquardt	D7/395				
D445,320	S *	7/2001	Abbott	D32/46				
D446,104	S *	8/2001	Chen	D8/107				
D446,436	S *	8/2001	Christianson	D10/104.1				
D450,994	S *	11/2001	Abbott	D8/105				
6,421,860	B1 *	7/2002	Abbott	B25F 1/00				
						15/105			
6,427,274	B1 *	8/2002	Abbott	B44D 3/006				
						15/105			
D462,251	S *	9/2002	Collins	D8/107				
D487,387	S *	3/2004	Chen	D8/107				
6,826,836	B1	12/2004	Lin						
6,836,967	B1	1/2005	Sakai						
D520,827	S *	5/2006	Denton	D8/45				
D569,215	S *	5/2008	Chiu	D8/107				
D573,435	S *	7/2008	Tsuda	D8/99				
D609,992	S *	2/2010	Delaney	D32/49				
D609,993	S *	2/2010	Cain	D8/105				
D613,137	S *	4/2010	Wieberdink	D8/14				
D629,578	S *	12/2010	Molina	D32/46				
D657,651	S *	4/2012	Rubin	D8/105				
8,291,597	B2	10/2012	Hawk						
8,464,382	B2	6/2013	Chu						
8,490,288	B1	7/2013	Mollick et al.						
8,832,943	B2	9/2014	Sakai						
D733,517	S *	7/2015	Constantine	D8/107				
2007/0124881	A1 *	6/2007	Daugherty	B25G 1/08				
						15/143.1			
2009/0265860	A1 *	10/2009	Barber	B25F 1/04				
						7/167			
2010/0192381	A1	8/2010	Sakai						
2011/0107603	A1	5/2011	Giuntoli et al.						
2012/0144678	A1	6/2012	Chen						
2013/0227794	A1	9/2013	Wang						
2013/0255016	A1 *	10/2013	Berney	E04F 21/162				
						15/105			
2014/0109414	A1 *	4/2014	Lau	B26B 1/048				
						30/161			
2015/0026898	A1 *	1/2015	Arvinte	A47L 13/022				
						7/105			

* cited by examiner

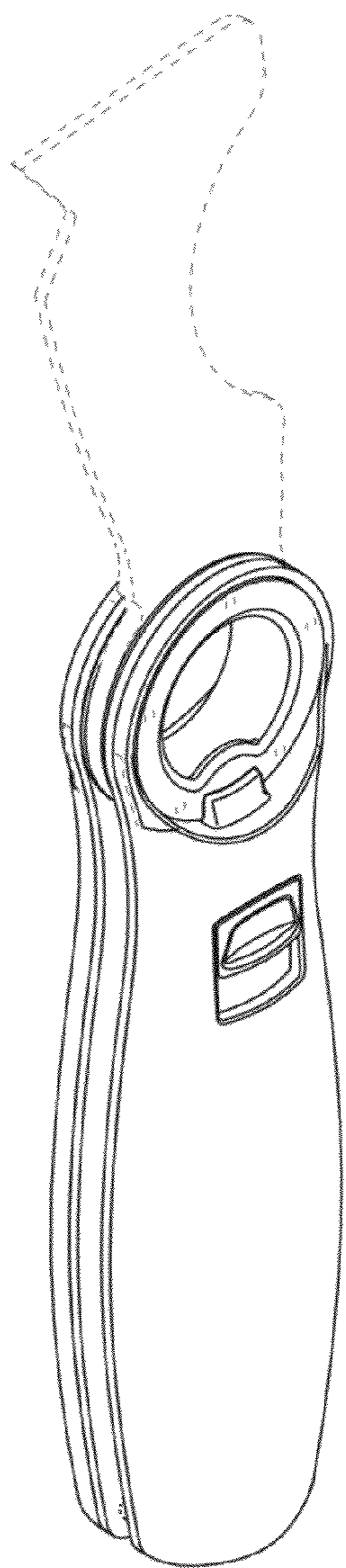


FIG. 1

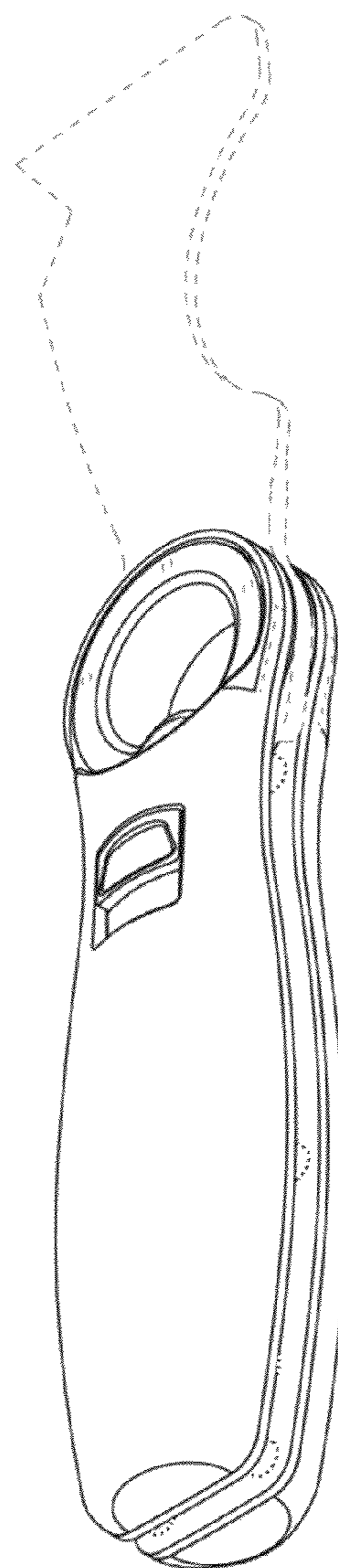


FIG. 2

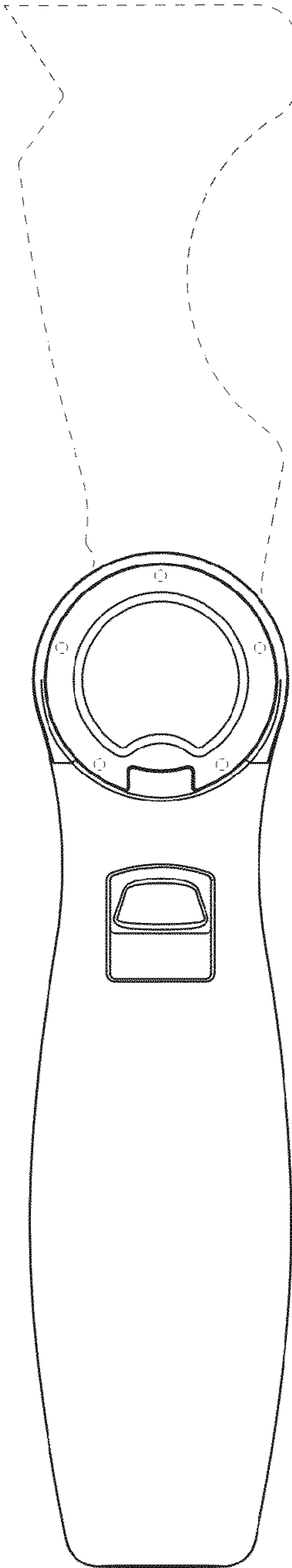


FIG. 3

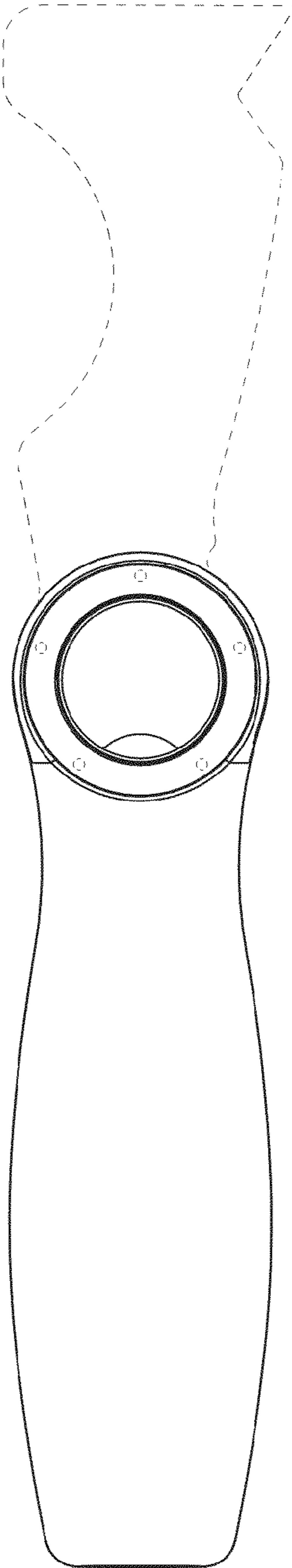


FIG. 4

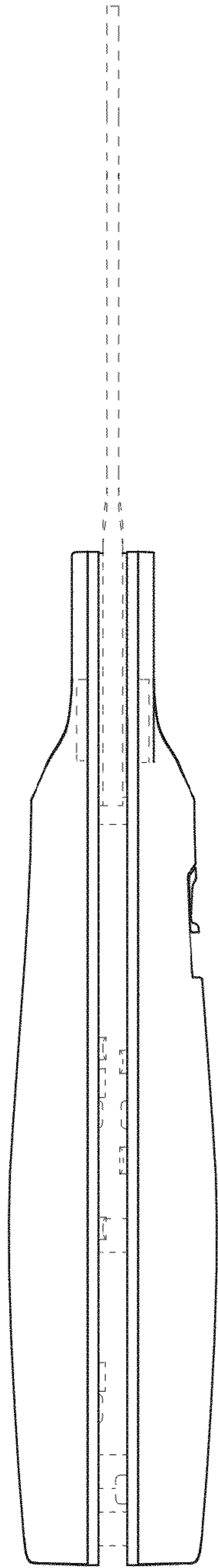


FIG. 5

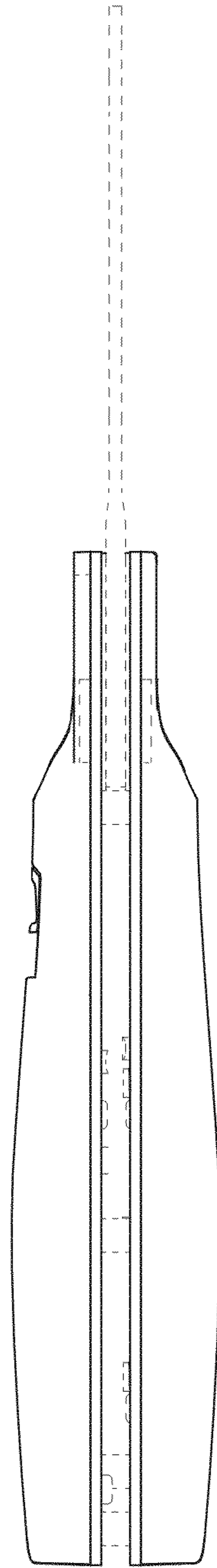


FIG. 6

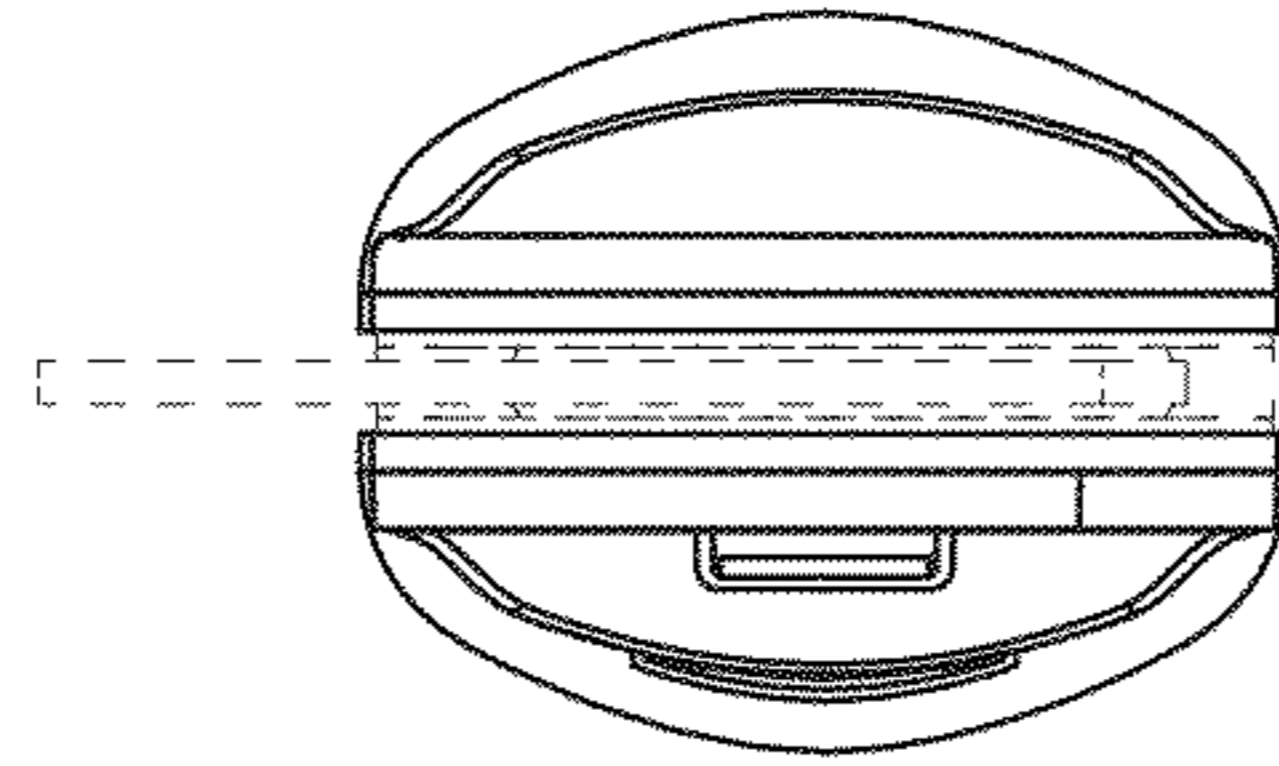


FIG. 7

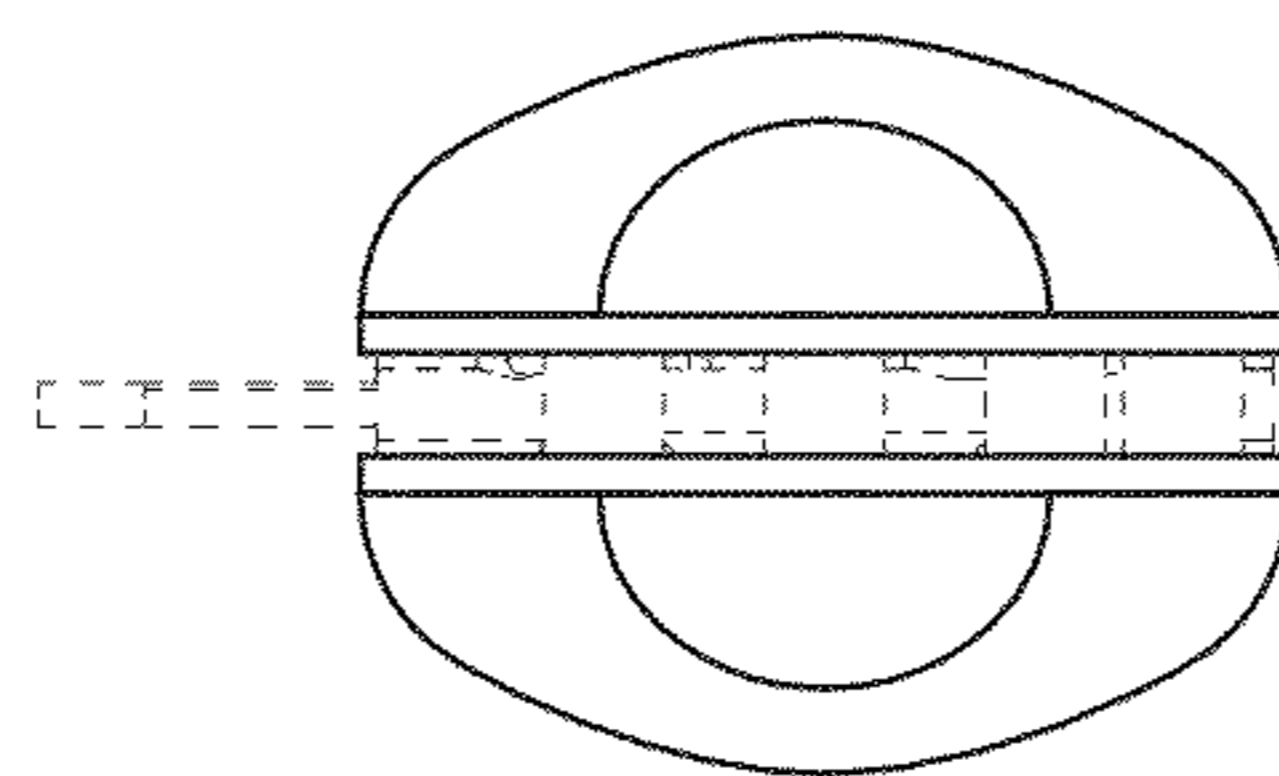


FIG. 8