

US00D760046S

(12) **United States Design Patent**
Caglar

(10) **Patent No.:** **US D760,046 S**
(45) **Date of Patent:** **** Jun. 28, 2016**

(54) **HANDLE**

(71) Applicant: **Stanley Black & Decker, Inc.**, New Britain, CT (US)

(72) Inventor: **Tolga Caglar**, Middletown, CT (US)

(73) Assignee: **Stanley Black & Decker Inc.**, New Britain, CT (US)

(**) Term: **15 Years**

(21) Appl. No.: **29/532,176**

(22) Filed: **Jul. 2, 2015**

(51) **LOC (10) Cl.** **08-05**

(52) **U.S. Cl.**
USPC **D8/25; D8/24**

(58) **Field of Classification Search**
USPC D8/17, 21-29; 81/60, 177.1, 177.85,
81/121.1, 124.3, 165-170, 110.1, 176.2,
81/124.6, 176.1, 176.15, 177.2; 16/110.1;
D15/144.1; 219/75, 227, 229, 121.16,
219/121.18
CPC B25B 13/00
See application file for complete search history.

(56) **References Cited**

U.S. PATENT DOCUMENTS

D447,678 S * 9/2001 Staton D8/107
D530,166 S * 10/2006 Becker D8/24
D566,497 S * 4/2008 Wang D8/25

D586,193 S * 2/2009 Escoe D8/24
D651,056 S * 12/2011 Robinson D8/25
D699,531 S * 2/2014 Olson D8/24
D702,519 S * 4/2014 Lee D8/24
D717,143 S * 11/2014 Jannitto D8/21
D720,590 S * 1/2015 Carl D8/85
D722,847 S * 2/2015 Lin D8/25

* cited by examiner

Primary Examiner — Randall Gholson

(74) *Attorney, Agent, or Firm* — Gabriel A. Haboubi

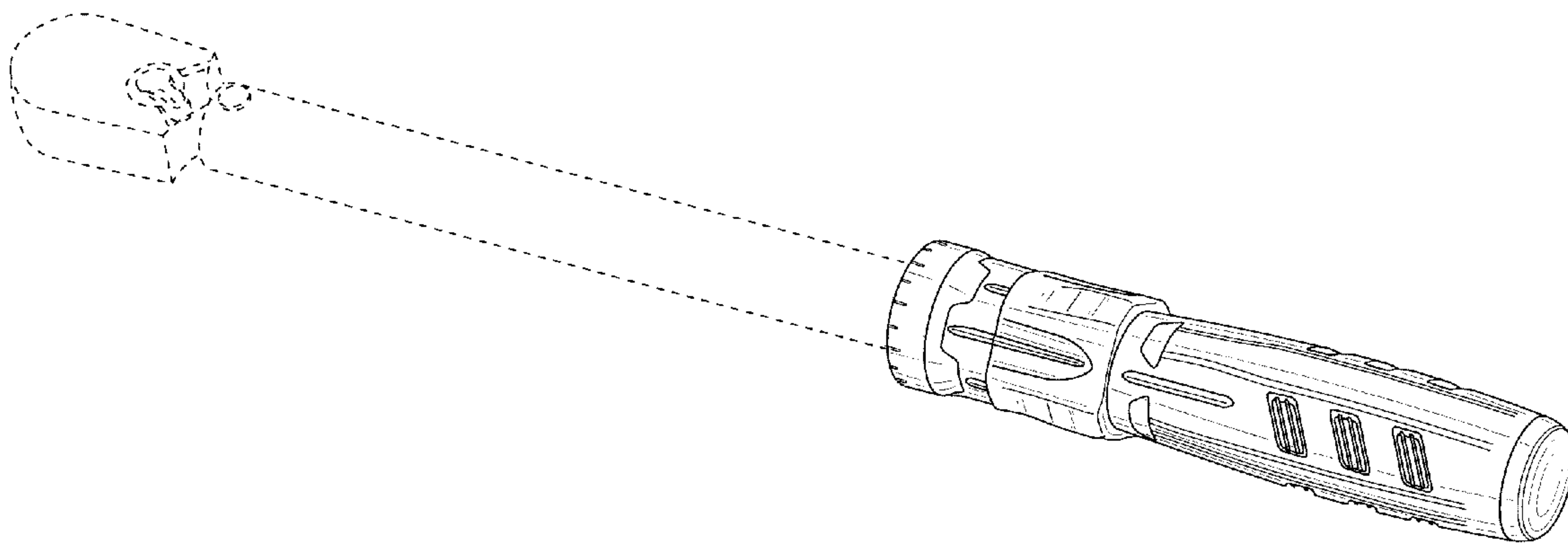
(57) **CLAIM**

The ornamental design for a handle, as shown and described.

DESCRIPTION

FIG. 1 is a perspective view of the new design.
FIG. 2 is a left side view thereof.
FIG. 3 is a right side view thereof.
FIG. 4 is a rear view thereof.
FIG. 5 is a front view thereof.
FIG. 6 is a top view thereof; and,
FIG. 7 is a bottom view thereof.
The broken lines shown in the drawings show unclaimed subject matter only and form no part of the claimed design.

1 Claim, 6 Drawing Sheets



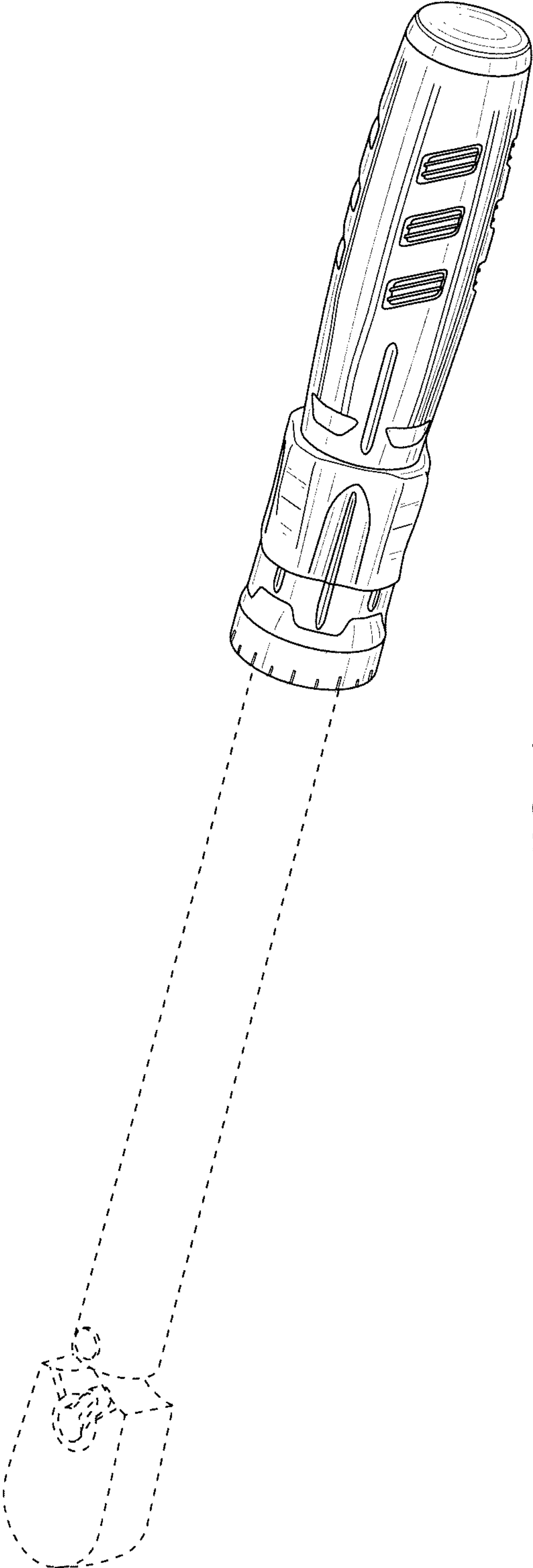


FIG. 1

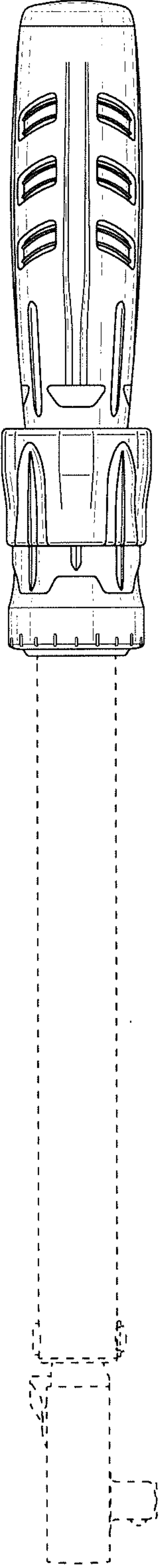


FIG. 2

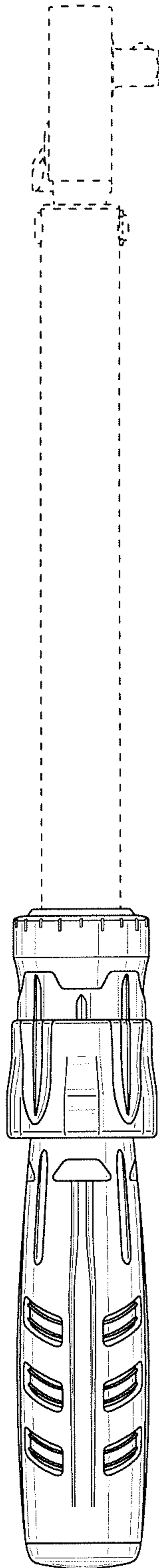


FIG. 3

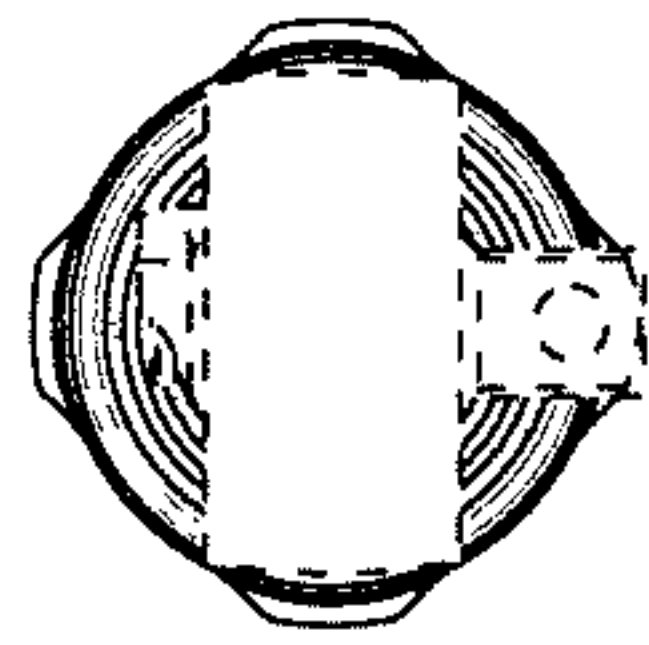


FIG. 5

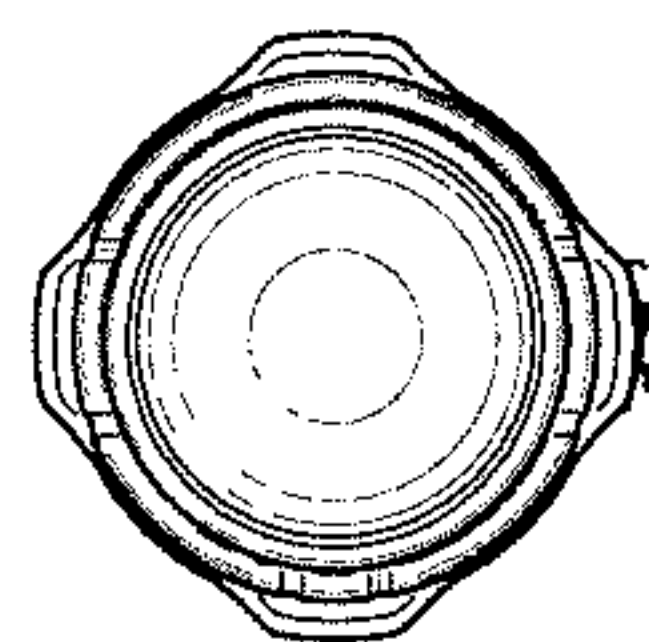


FIG. 4

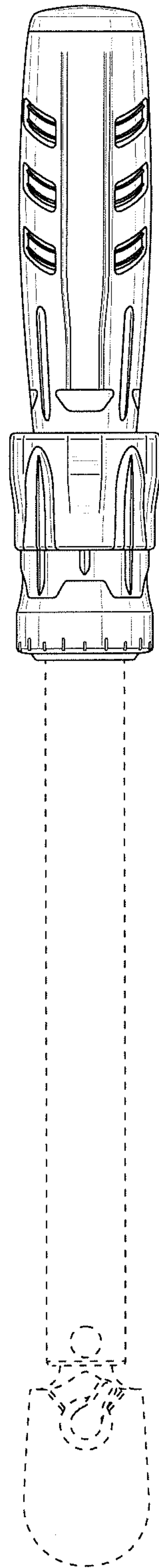


FIG. 6

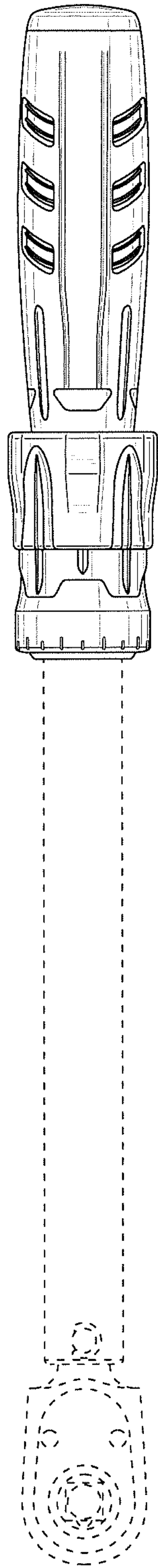


FIG. 7