



US00D760044S

(12) **United States Design Patent**  
**Yang**

(10) **Patent No.:** **US D760,044 S**  
(45) **Date of Patent:** **\*\* Jun. 28, 2016**

(54) **MULTIPLE USE WRENCH**

(71) Applicant: **Te-Chuan Yang**, Taichung (TW)

(72) Inventor: **Te-Chuan Yang**, Taichung (TW)

(\*\*) Term: **14 Years**

(21) Appl. No.: **29/525,064**

(22) Filed: **Apr. 27, 2015**

(51) **LOC (10) Cl.** ..... **08-05**

(52) **U.S. Cl.**  
USPC ..... **D8/21; D8/25**

(58) **Field of Classification Search**  
USPC ..... D8/21-29; 81/177.7, 177.8, 177.9,  
81/177.2, 60-63.2; 403/324, 84, 93, 96  
CPC ..... B25B 9/00  
See application file for complete search history.

(56) **References Cited**

**U.S. PATENT DOCUMENTS**

6,928,903 B1 *	8/2005	Liao	.....	B25B 13/466 81/177.8
D562,654 S *	2/2008	Yang	.....	D8/27
7,966,912 B1 *	6/2011	Hobden	.....	B25B 13/465 81/124.5
D684,832 S *	6/2013	Scott	.....	D8/28
8,474,353 B1 *	7/2013	Thoman	.....	B25G 1/007 81/177.6

\* cited by examiner

*Primary Examiner* — Randall Gholson

(74) *Attorney, Agent, or Firm* — Alan D. Kamrath; Kamrath IP Lawfirm, P.A.

(57) **CLAIM**

The ornamental design for a multiple use wrench, as shown and described.

**DESCRIPTION**

FIG. 1 is a perspective view of a multiple use wrench showing my design;  
FIG. 2 is a front elevational view thereof;  
FIG. 3 is a rear elevational view thereof;  
FIG. 4 is a left side elevational view thereof;  
FIG. 5 is a right side elevational view thereof;  
FIG. 6 is a top plan view thereof;  
FIG. 7 is a bottom plan view thereof;  
FIG. 8 is a perspective view showing an application of the present invention; and,  
FIG. 9 is a perspective view showing a second application of the present invention.  
The broken lines shown in the drawings show unclaimed subject matter only, and form no part of the claimed design.

**1 Claim, 9 Drawing Sheets**

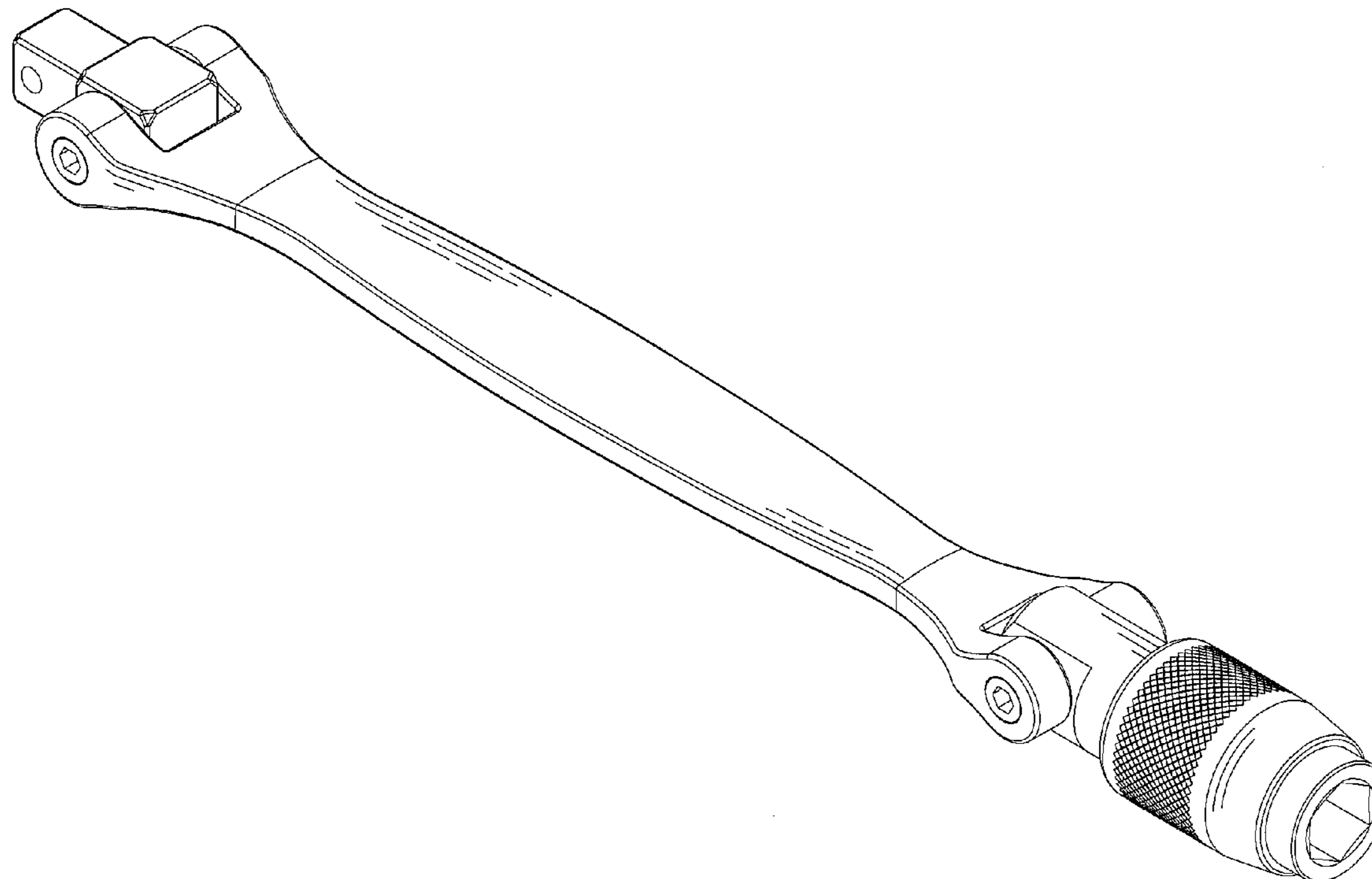




FIG. 1

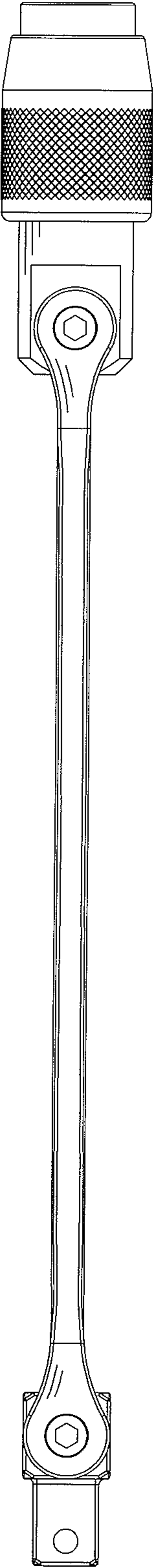


FIG. 2

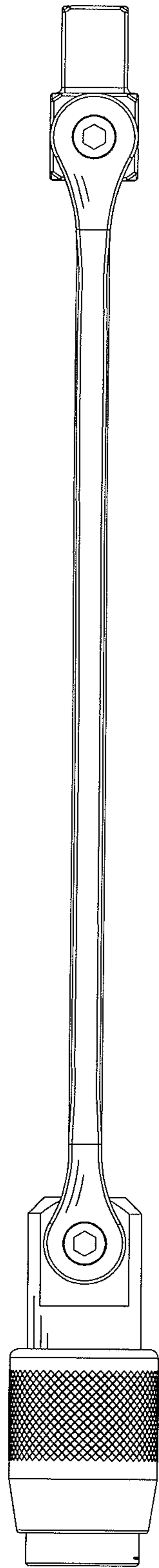


FIG. 3

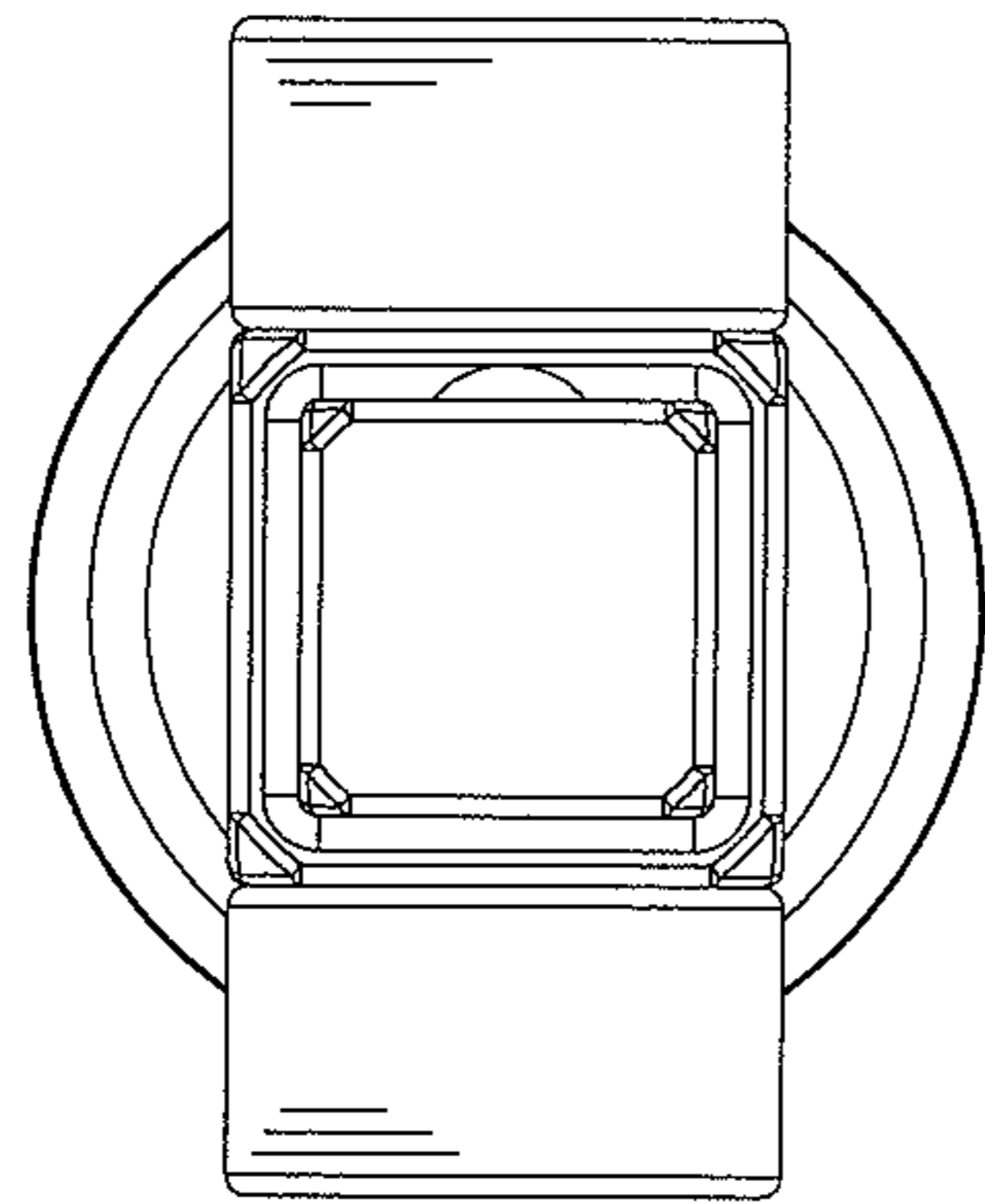


FIG. 4

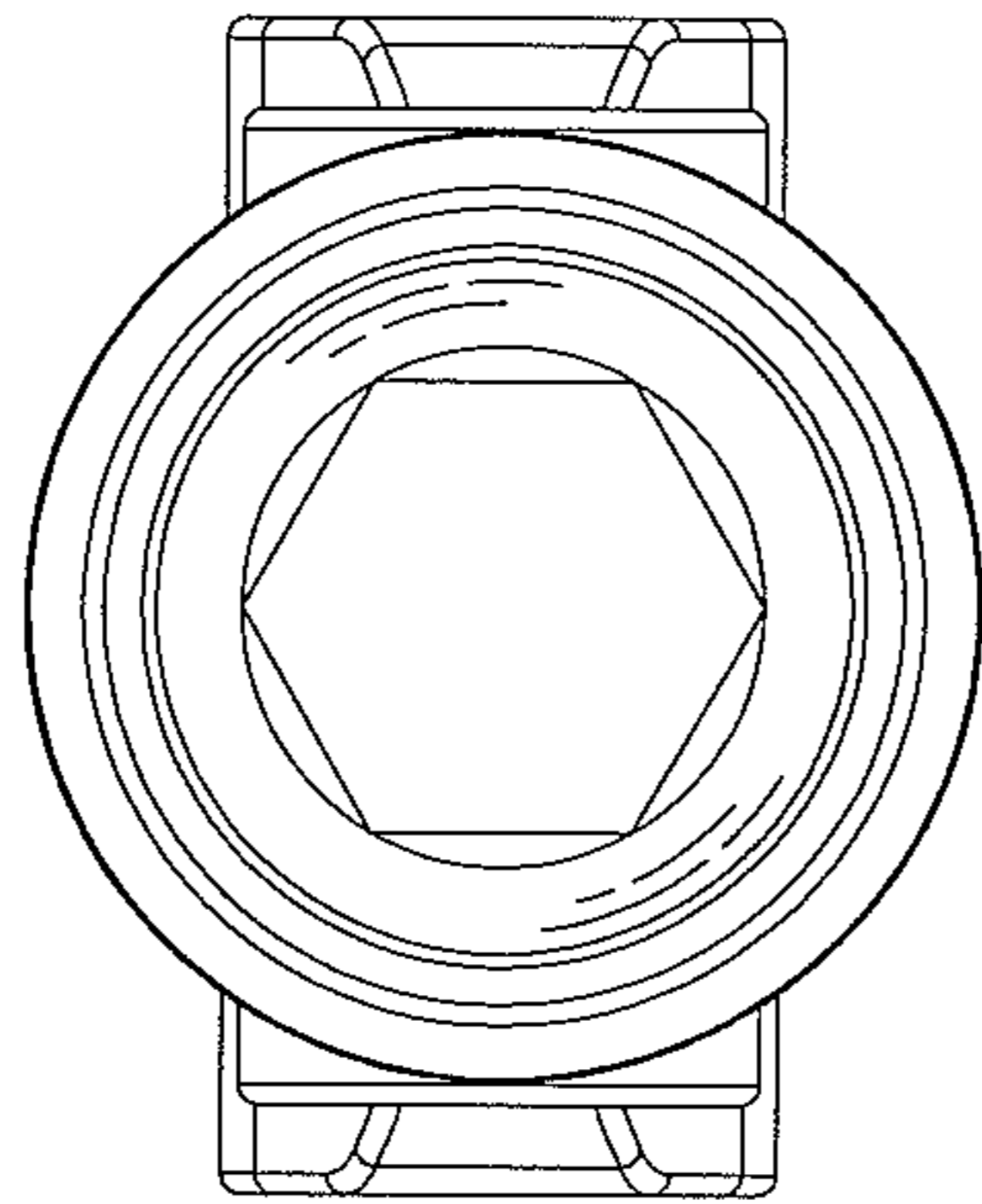


FIG. 5

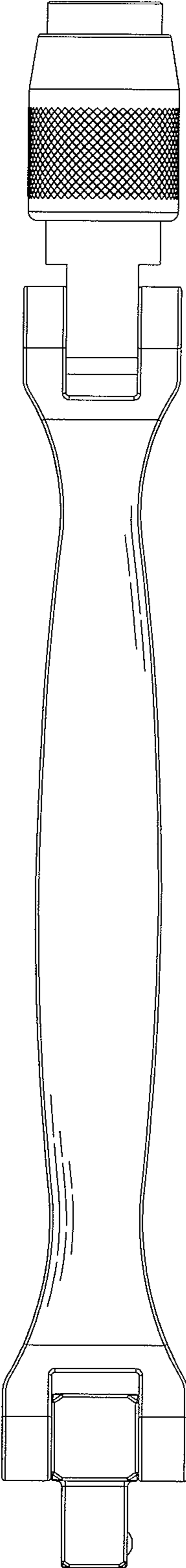


FIG. 6

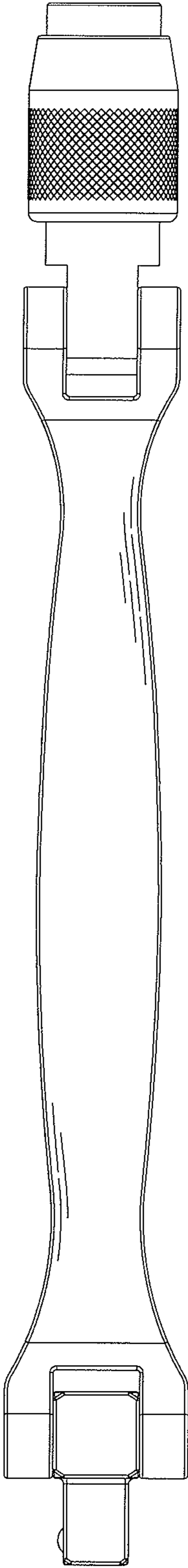


FIG. 7



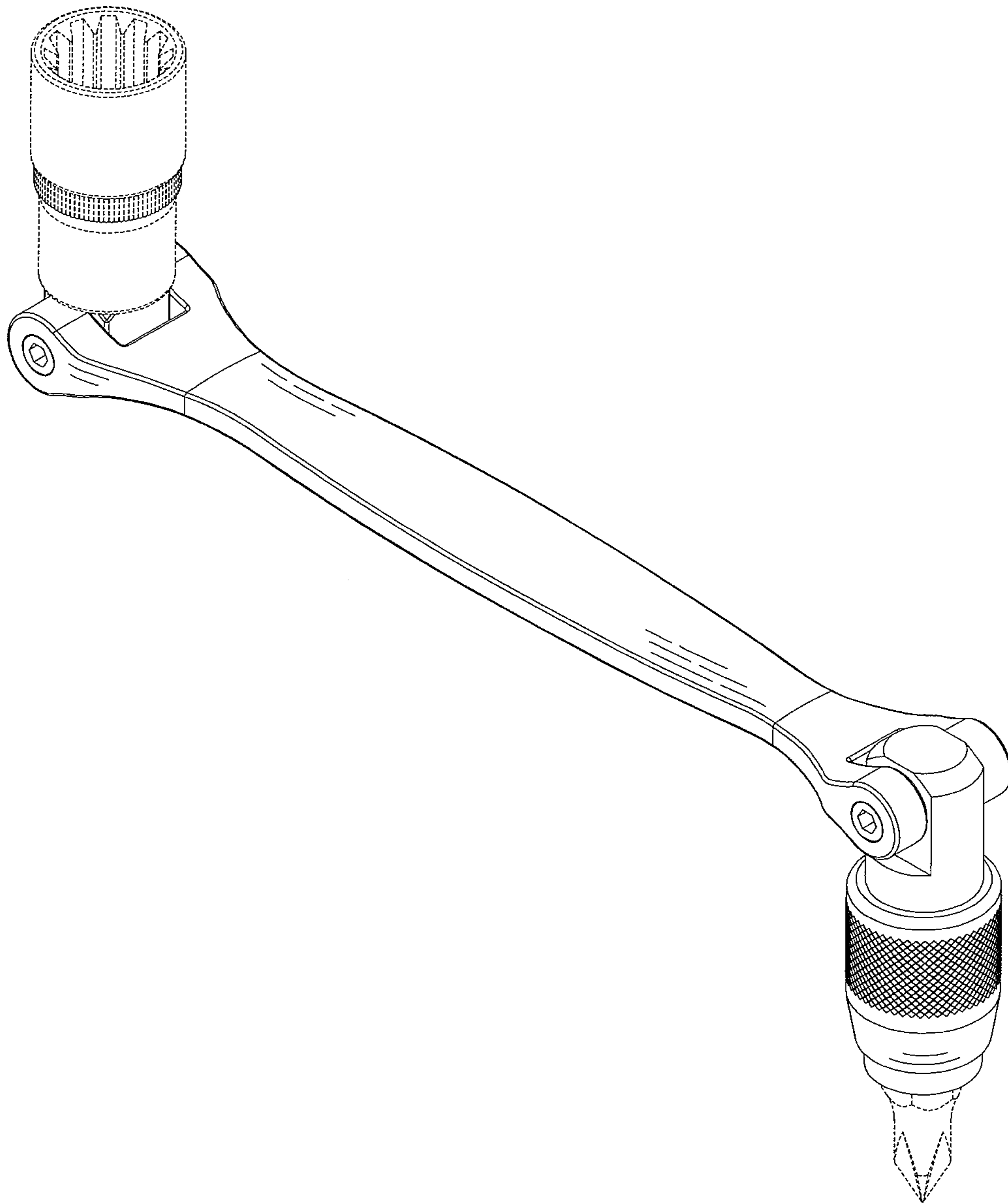


FIG. 8

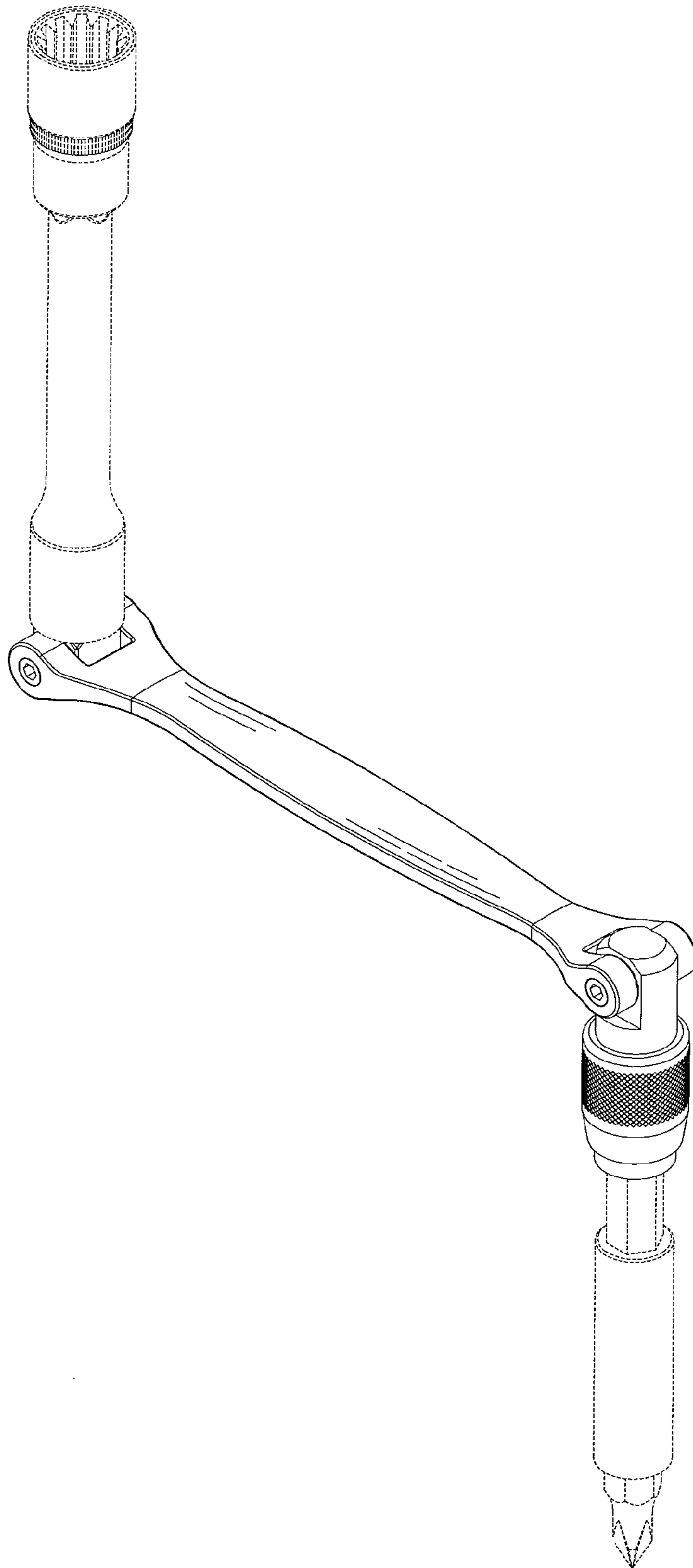


FIG. 9