

US00D760043S

(12) **United States Design Patent**
Dhawan et al.

(10) **Patent No.:** **US D760,043 S**
(45) **Date of Patent:** **** Jun. 28, 2016**

(54) **BLADE**

(71) Applicant: **SNOBLAD LIMITED**, Manchester (GB)

(72) Inventors: **Phillip Dhawan**, Manchester (GB);
Hadley Laurence Brooks, Preston (GB); **Alan Ramscar**, Godmanchester (GB)

(73) Assignee: **Snoblad Limited** (GB)

(**) Term: **14 Years**

(21) Appl. No.: **29/497,216**

(22) Filed: **Jul. 22, 2014**

(51) **LOC (10) Cl.** **08-01**

(52) **U.S. Cl.**
USPC **D8/10**

(58) **Field of Classification Search**
USPC D8/10, 11, 6, 7; D21/532
CPC E01H 5/02; E01H 5/104; E01H 5/10;
E01H 5/12; B60S 1/04; A01B 1/22; A01B
15/02

See application file for complete search history.

(56) **References Cited**

U.S. PATENT DOCUMENTS

813,983	A *	2/1906	Lumey	294/54.5
4,538,847	A *	9/1985	Lapshansky	294/51
D307,378	S *	4/1990	D'Alessandro	D8/10
5,039,151	A *	8/1991	Davis	294/54.5
RE36,588	E *	2/2000	Tisbo et al.	294/54.5
6,053,548	A *	4/2000	Bowles, Jr.	294/54.5
D467,140	S *	12/2002	Dedrick	D8/10
D553,921	S *	10/2007	Melady	D8/10

D586,192	S *	2/2009	Chesness	D8/10
7,810,259	B1	10/2010	Goldman		
D670,548	S *	11/2012	Coutu	D8/10
2005/0184542	A1	8/2005	Moreschini et al.		
2007/0145756	A1*	6/2007	DeWinter	294/54.5
2011/0265353	A1	11/2011	Kaplan		

FOREIGN PATENT DOCUMENTS

CA	2712534	11/2010		
DE	615155 C *	6/1935	A01B 1/22
DE	202010016343	3/2011		
EP	001976325001	1/2012		
WO	WO 2005086986 A1 *	9/2005	E01H 5/02

* cited by examiner

Primary Examiner — Sheryl Lane

Assistant Examiner — Ieisha Price

(74) *Attorney, Agent, or Firm* — Niels Haun; Dann, Dorfman, Herrell and Skillman, P.C.

(57) **CLAIM**

The ornamental design for a blade, substantially as shown and described.

DESCRIPTION

FIG. 1 is a front perspective view of an ornamental design for a blade;

FIG. 2 is a rear perspective view of FIG. 1;

FIG. 3 is a front view of FIG. 1;

FIG. 4 is a rear view of FIG. 1;

FIG. 5 is a top view of FIG. 1;

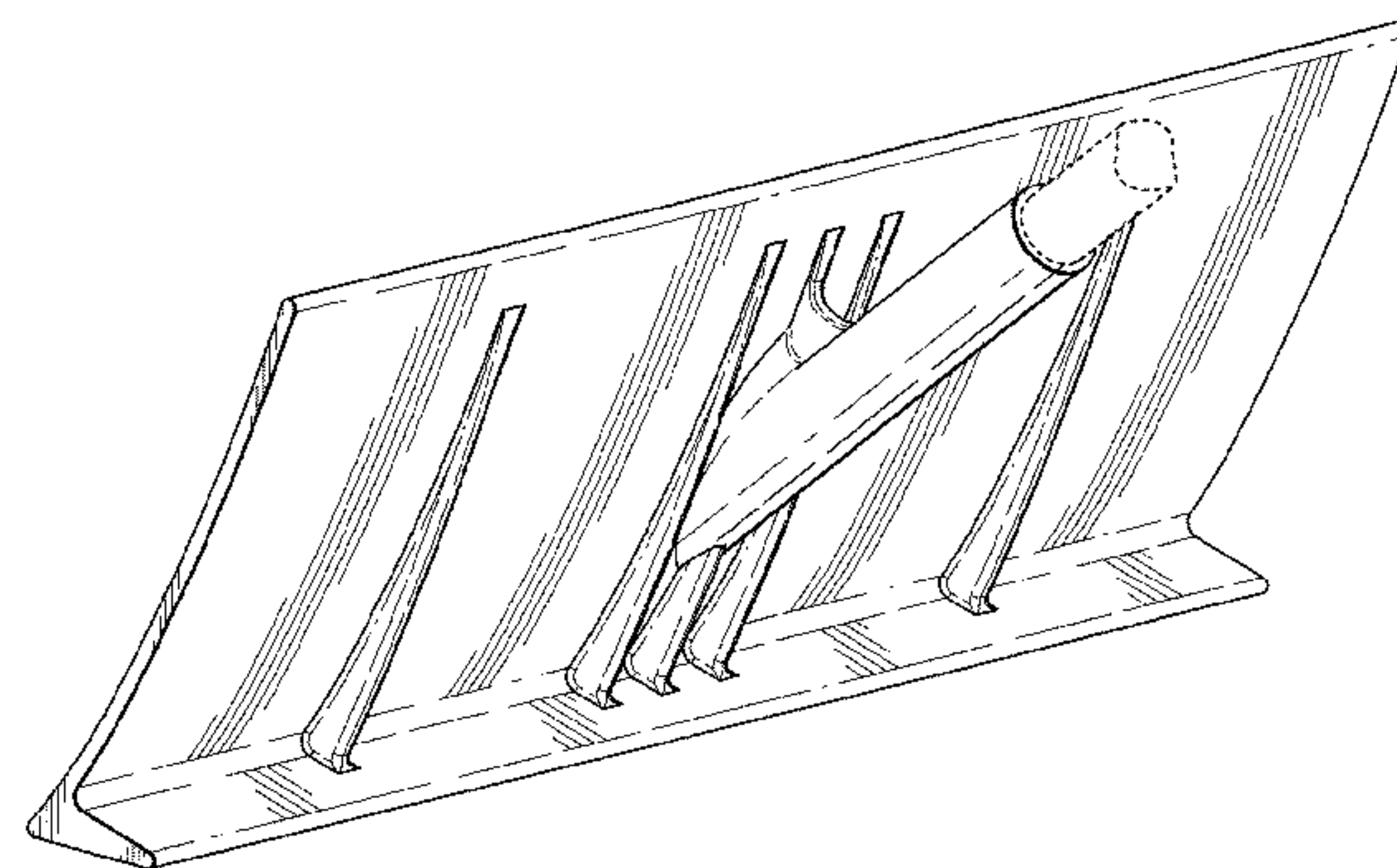
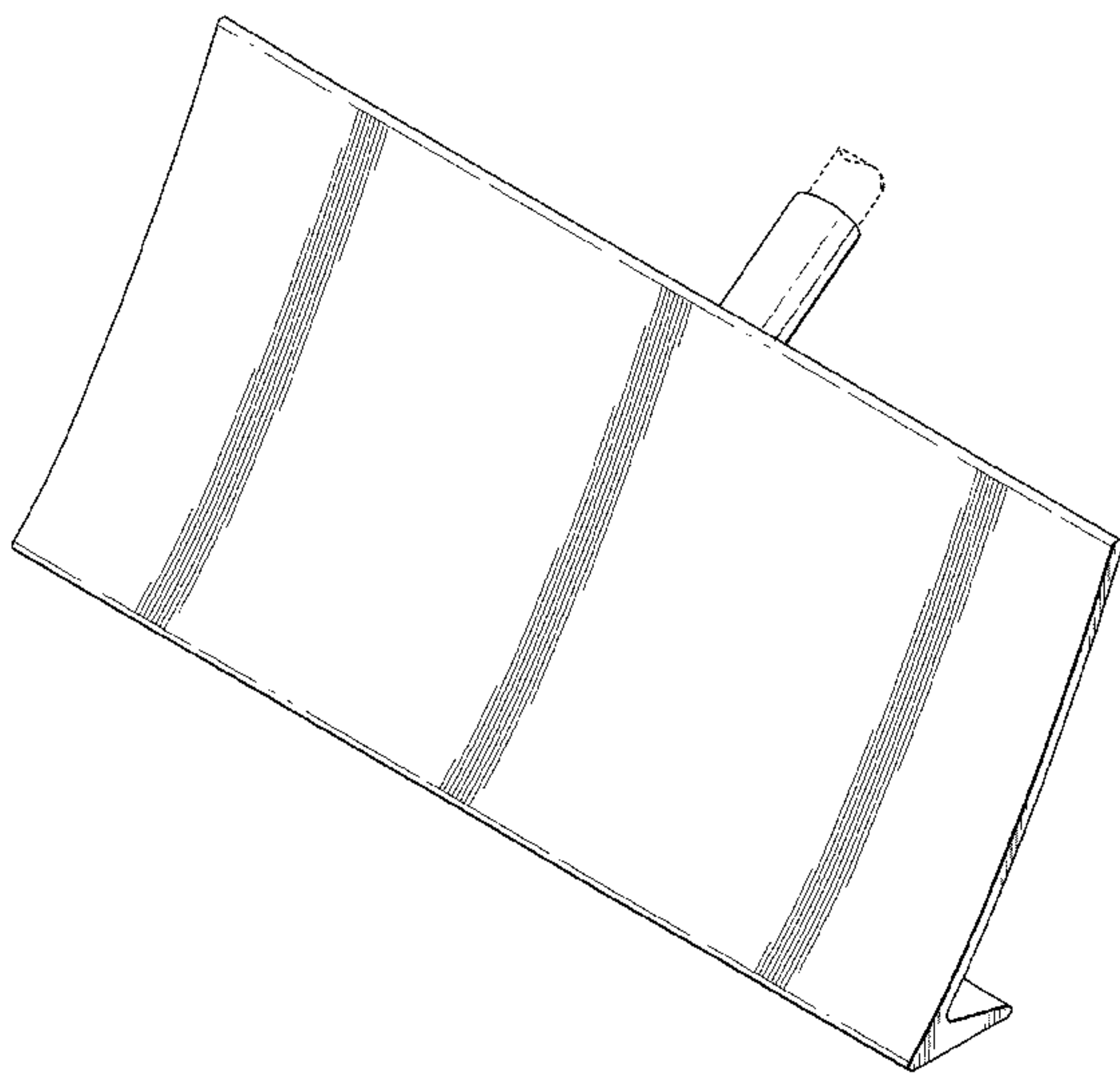
FIG. 6 is a bottom view of FIG. 1;

FIG. 7 is a right side view of FIG. 1; and,

FIG. 8 is a left side view of FIG. 1.

The broken line shown in the drawings represent the environment of the claimed design and form no part thereof.

1 Claim, 5 Drawing Sheets



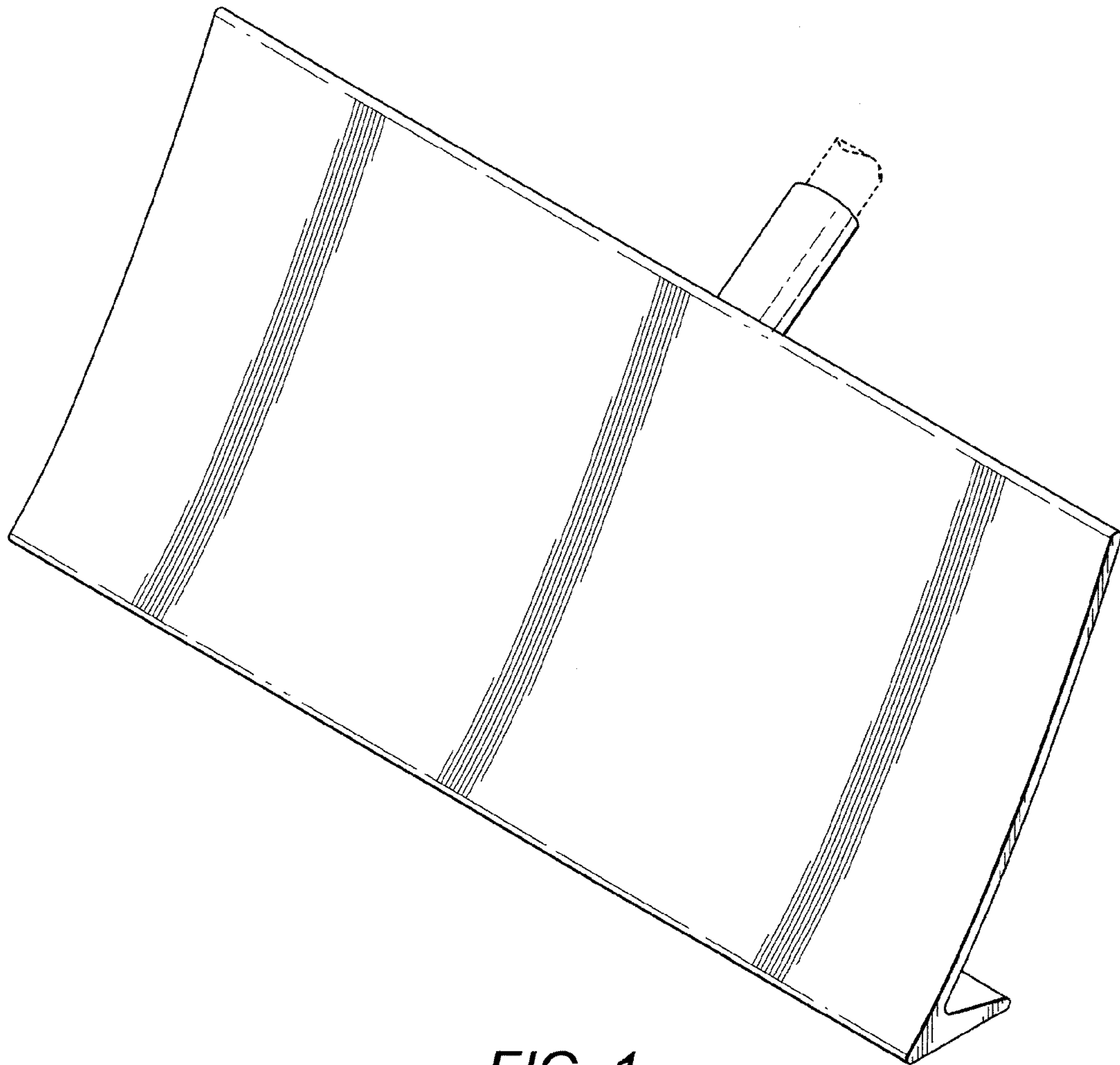


FIG. 1

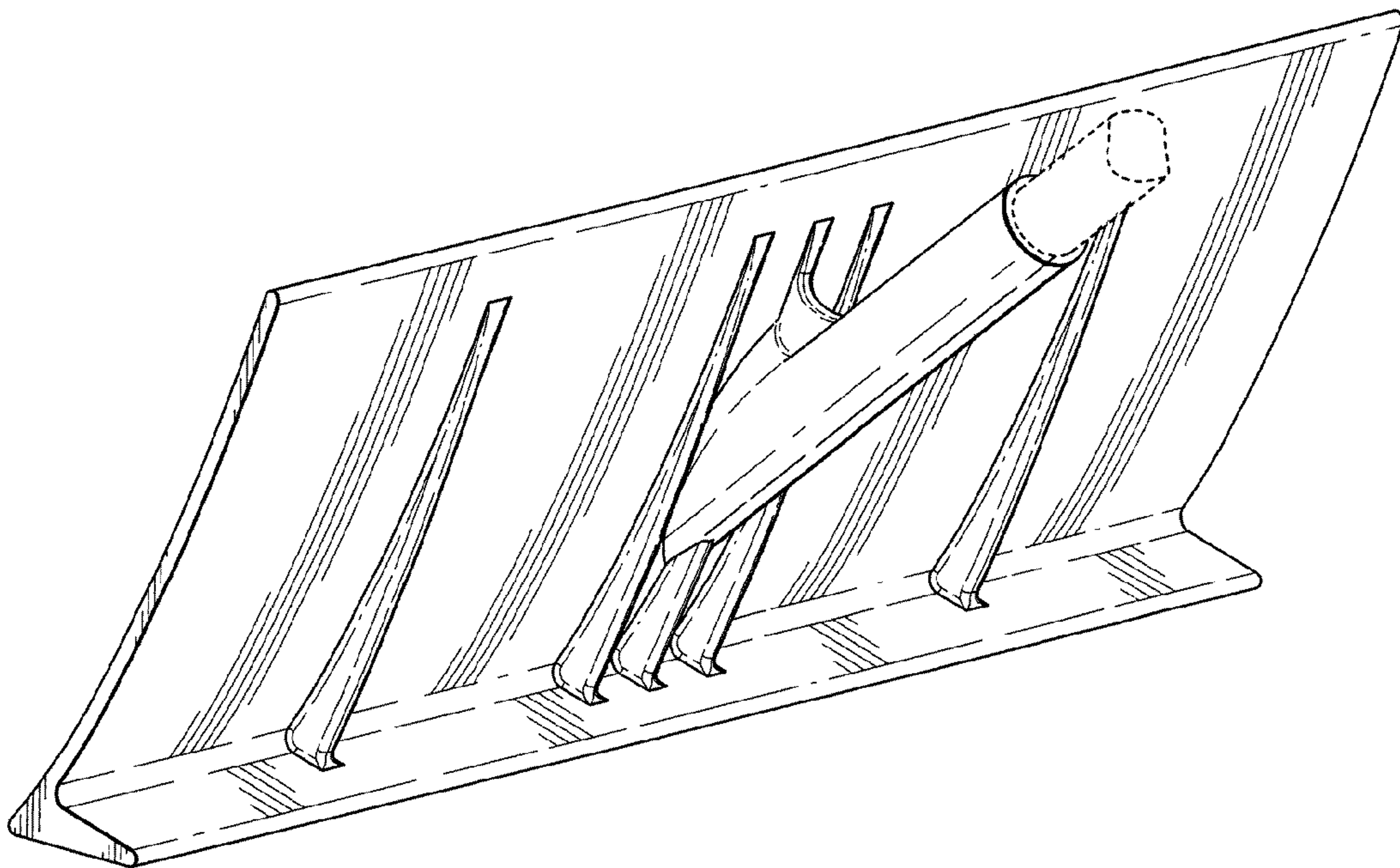


FIG. 2

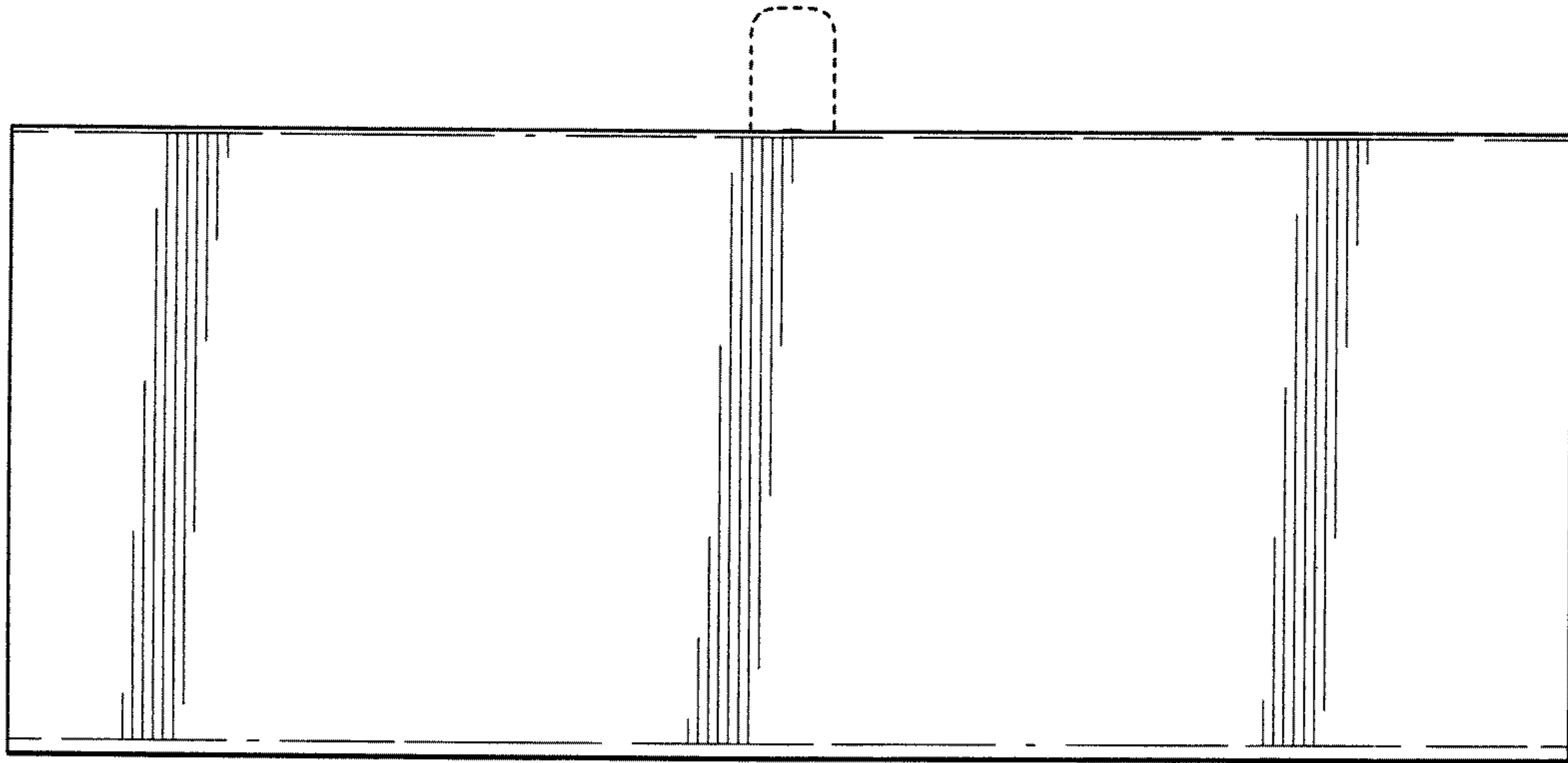


FIG. 3

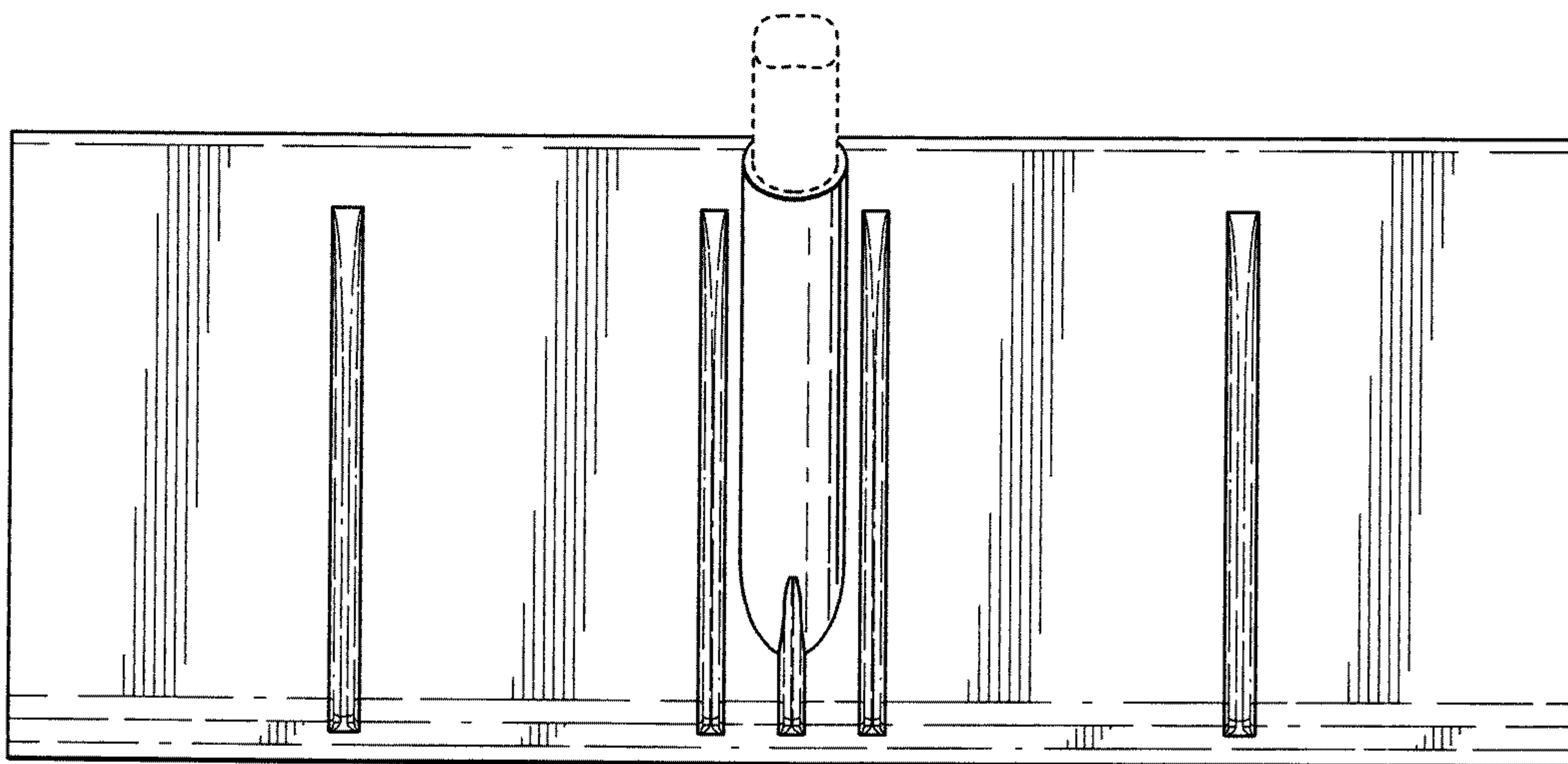


FIG. 4

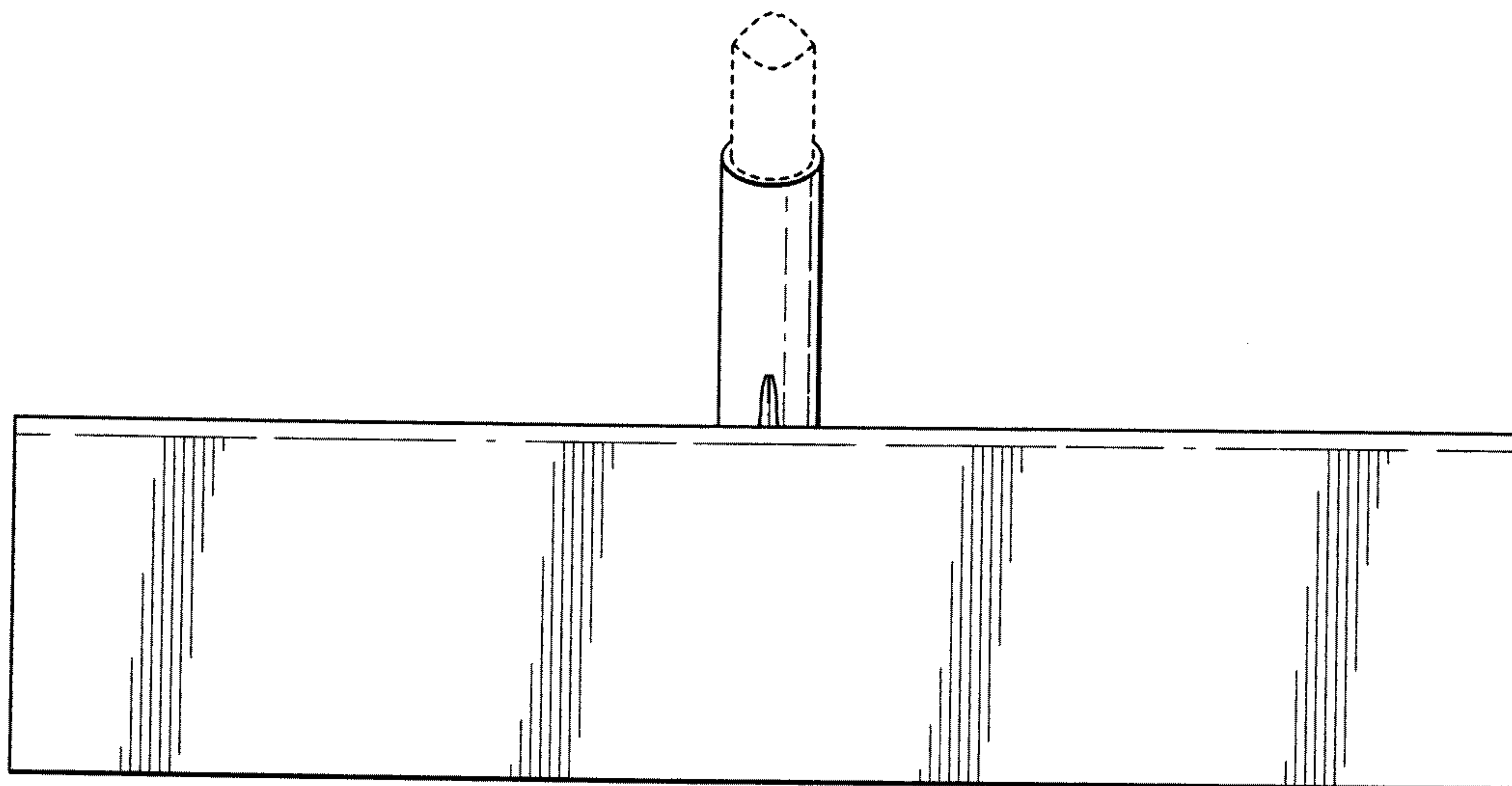


FIG. 5

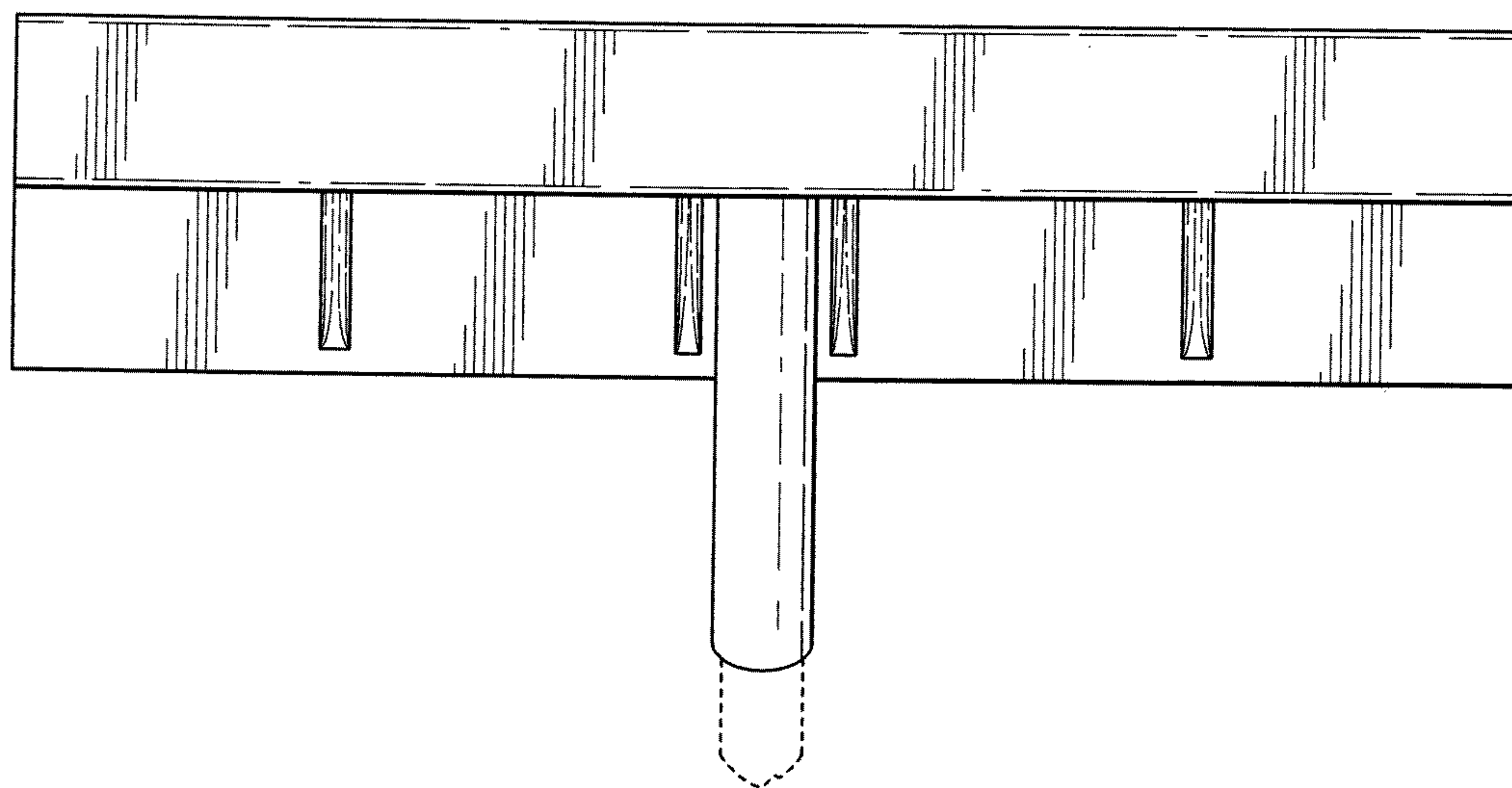


FIG. 6

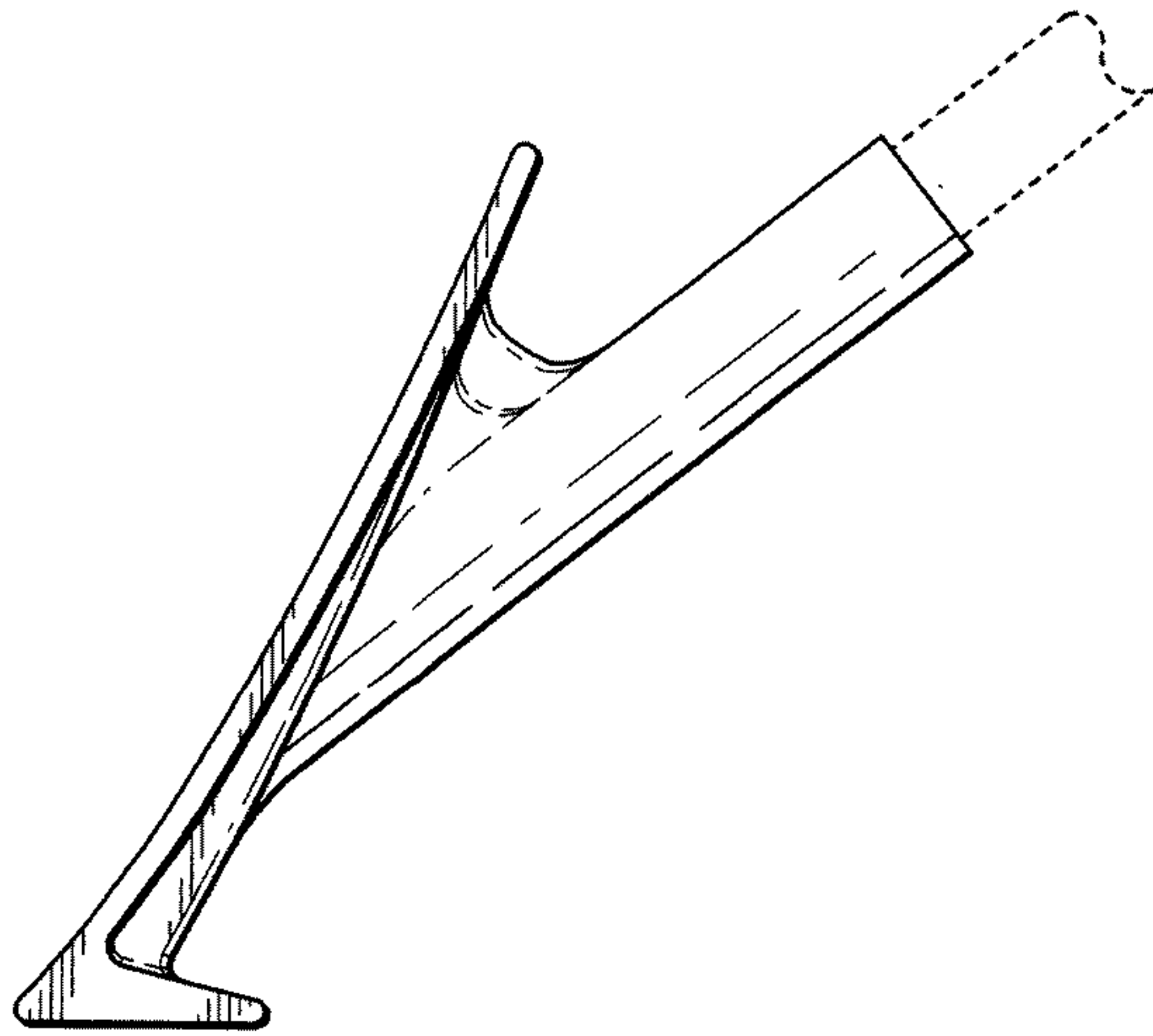


FIG. 7

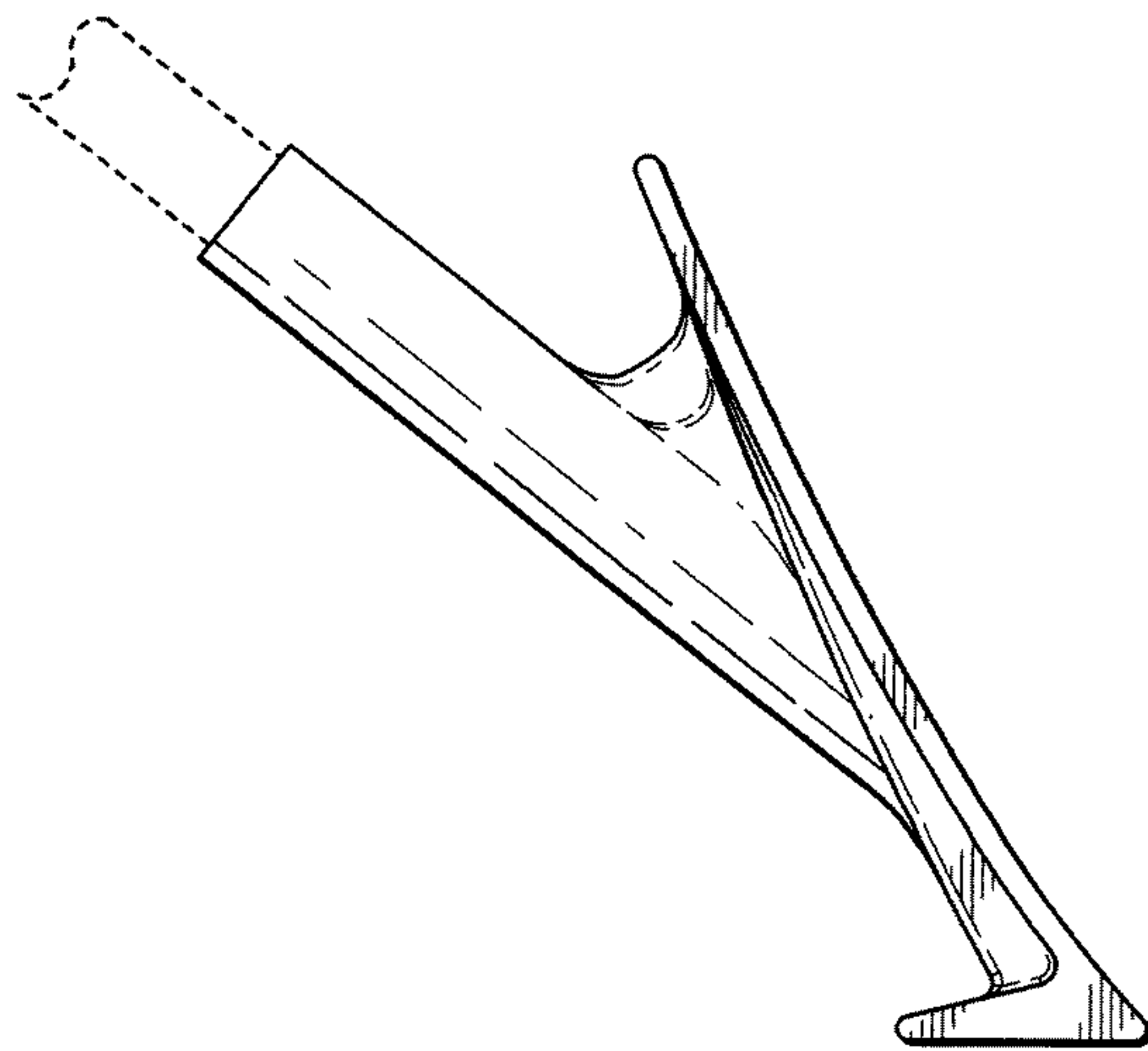


FIG. 8