



US00D760040S

(12) **United States Design Patent**  
**Chang**

(10) **Patent No.:** **US D760,040 S**  
(45) **Date of Patent:** **\*\* Jun. 28, 2016**

(54) **EGGSHELL CUTTER**

(71) Applicant: **Tsung-Chih Chang**, Taichung (TW)

(72) Inventor: **Tsung-Chih Chang**, Taichung (TW)

(\*\*) Term: **14 Years**

(21) Appl. No.: **29/512,553**

(22) Filed: **Dec. 19, 2014**

(51) **LOC (10) Cl.** ..... **07-06**

(52) **U.S. Cl.**  
USPC ..... **D7/693**

(58) **Field of Classification Search**  
USPC ..... D17/22-24; 84/411 R, 402, 411 P, 723,  
84/738

CPC ..... G10D 13/02; G10D 13/08; G10H 1/02;  
G10H 3/00

See application file for complete search history.

(56) **References Cited**

**U.S. PATENT DOCUMENTS**

- 3,721,180 A \* 3/1973 Strang ..... A47G 19/28  
99/571
- 4,817,213 A \* 4/1989 Scobie ..... B23B 5/365  
29/527.6
- D722,254 S \* 2/2015 Henry ..... D7/693

**OTHER PUBLICATIONS**

MSK, Hen Egg Top Cutter, Publication Date unknown, [site visited  
Mar. 24, 2016], Available on the Internet URL: <<http://msk-ingredi->

ents.com/Equipment/ServingandPresentation/EggShellsandEg-  
gTopCutters/HenEggTopCutter-3282>.\*

\* cited by examiner

*Primary Examiner* — Susan Bennett Hattan

*Assistant Examiner* — S. Bryan Reinholdt, Jr.

(74) *Attorney, Agent, or Firm* — Akerman LLP; Peter A.  
Chiabotti

(57) **CLAIM**

The ornamental design for eggshell cutter, as shown and  
described.

**DESCRIPTION**

FIG. 1 is a perspective view of eggshell cutter showing my  
new design;

FIG. 2 is a front elevational view thereof;

FIG. 3 is a rear elevational view thereof;

FIG. 4 is a left side elevational view thereof;

FIG. 5 is a right side elevational view thereof;

FIG. 6 is a top plan view thereof;

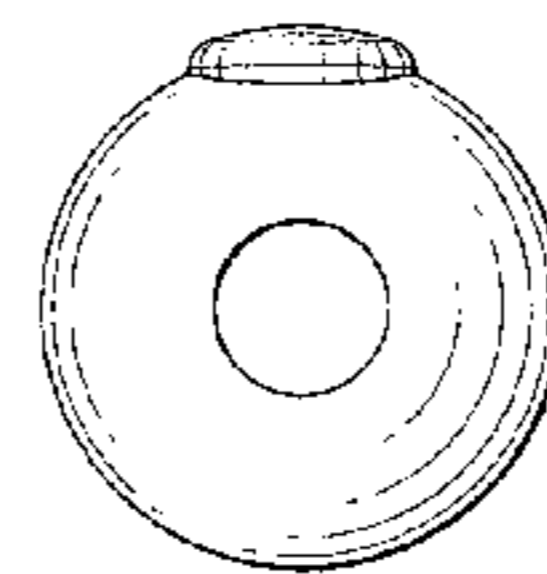
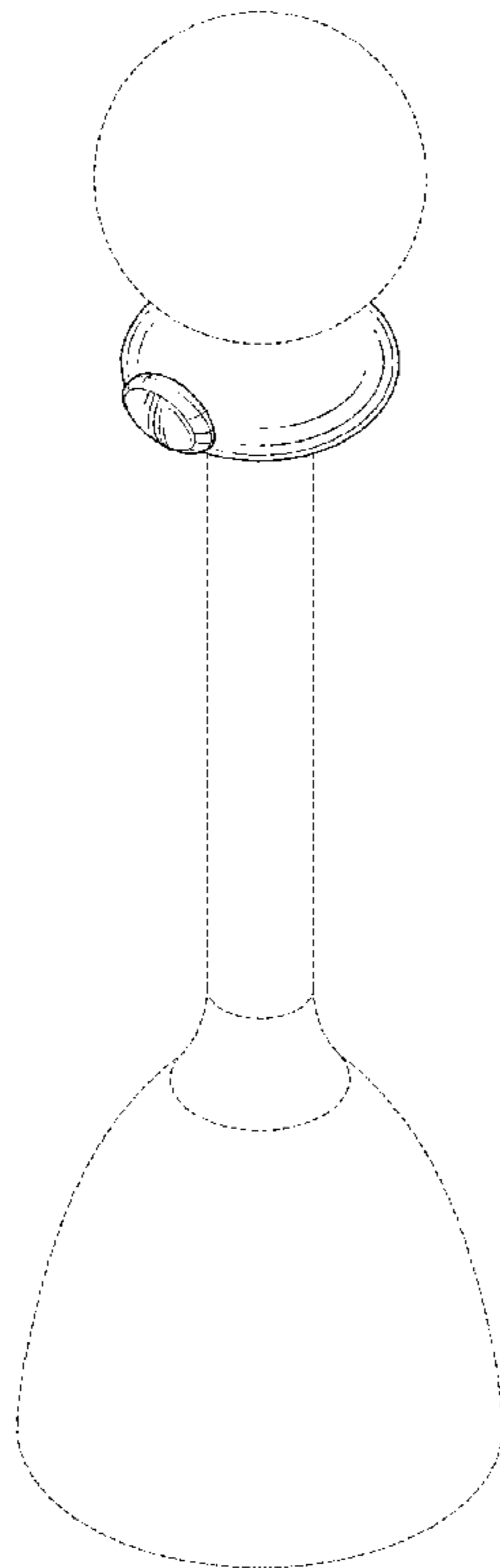
FIG. 7 is a bottom plan view thereof;

FIG. 8 is a top plan view of an operating portion thereof; and,

FIG. 9 is a bottom plan view of the operating portion thereof.

The dashed lines in the drawings depict environment that  
forms no part of the claimed design.

**1 Claim, 7 Drawing Sheets**



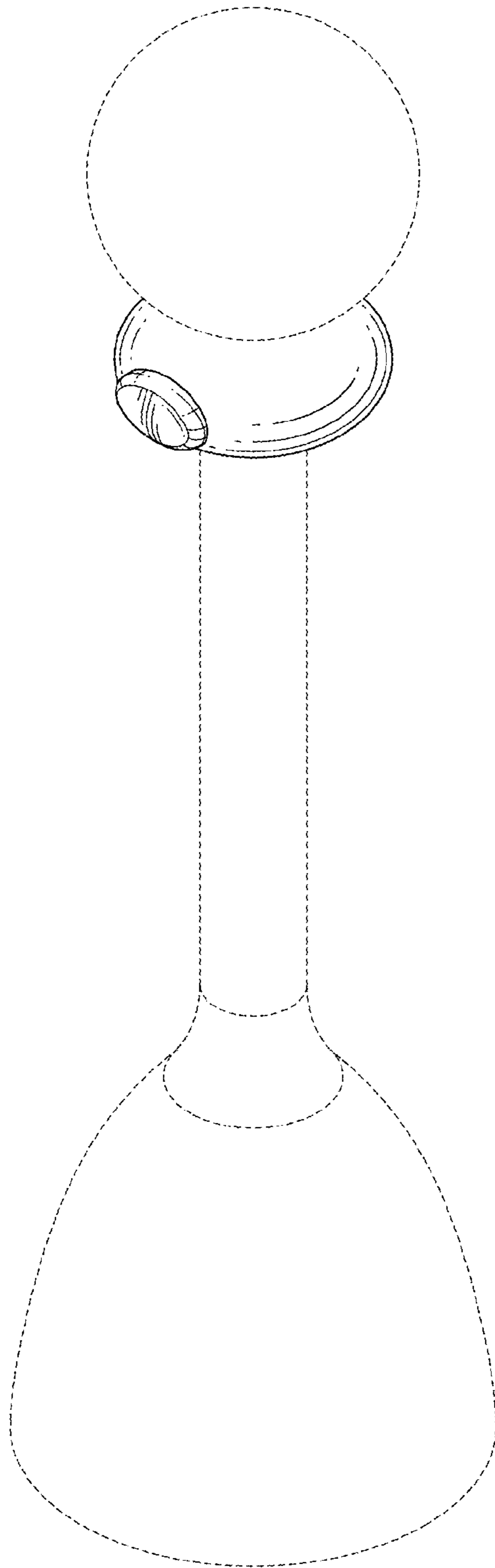


FIG.1

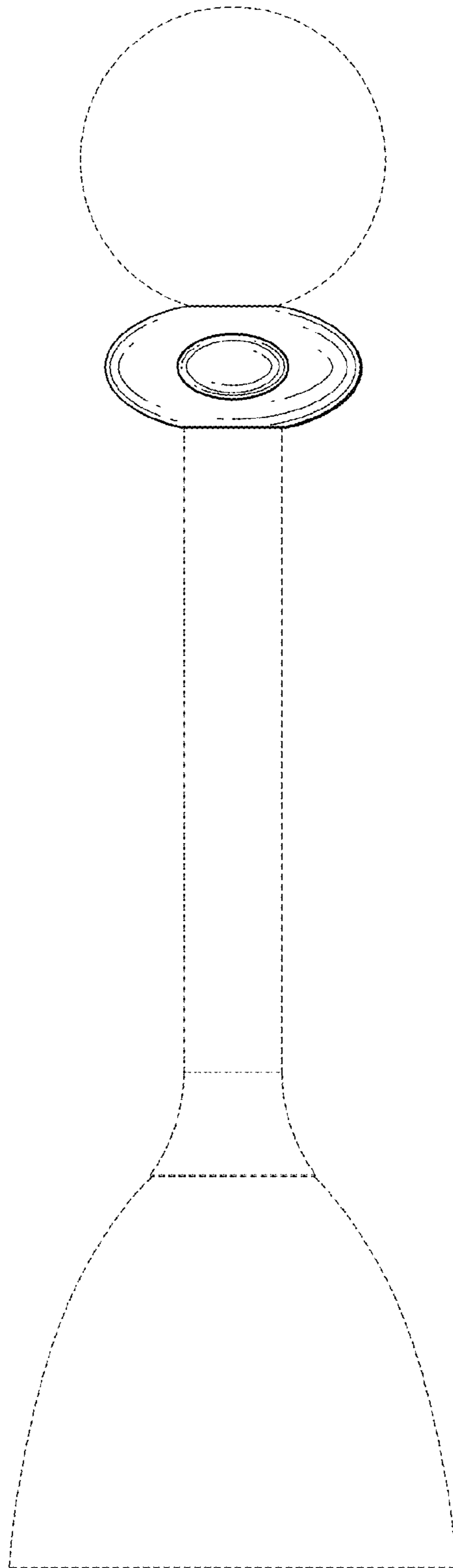


FIG. 2

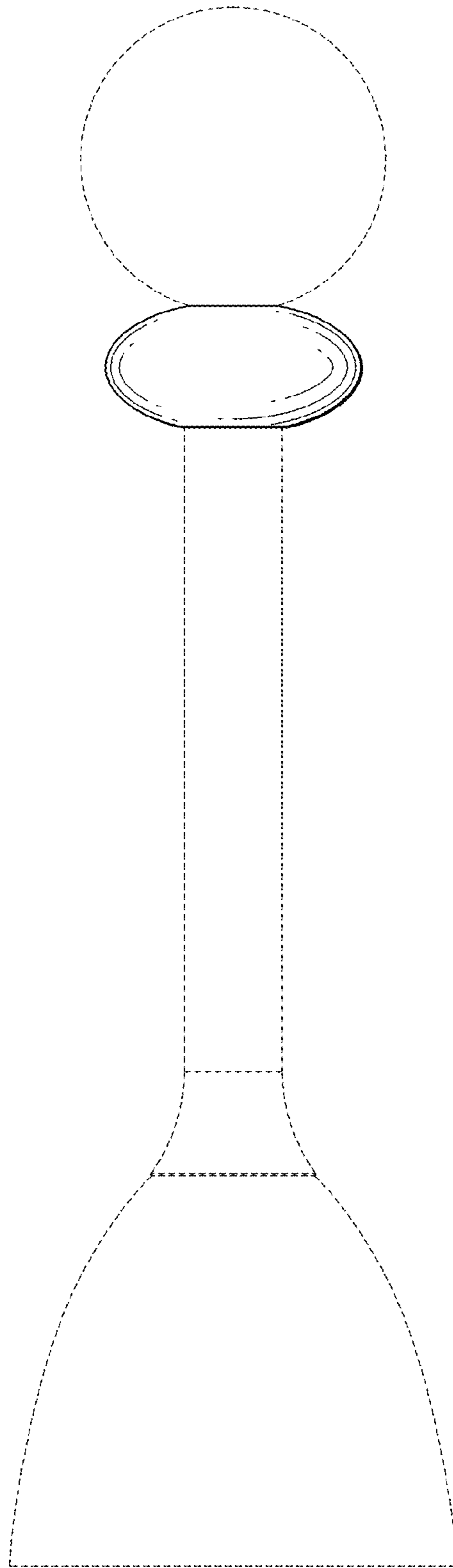


FIG.3

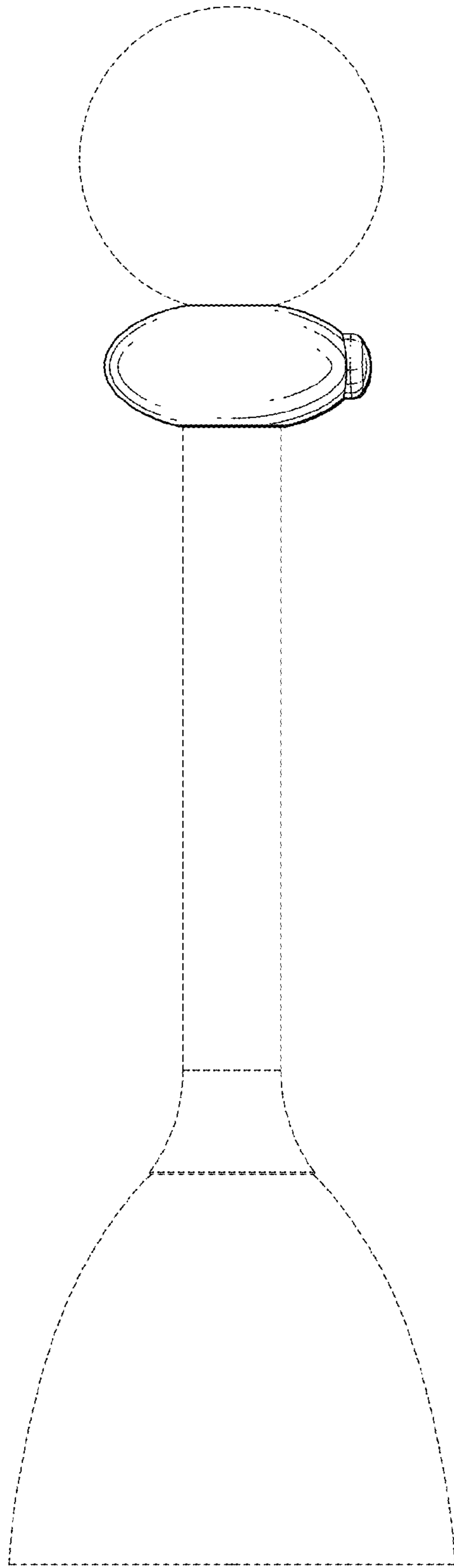


FIG. 4

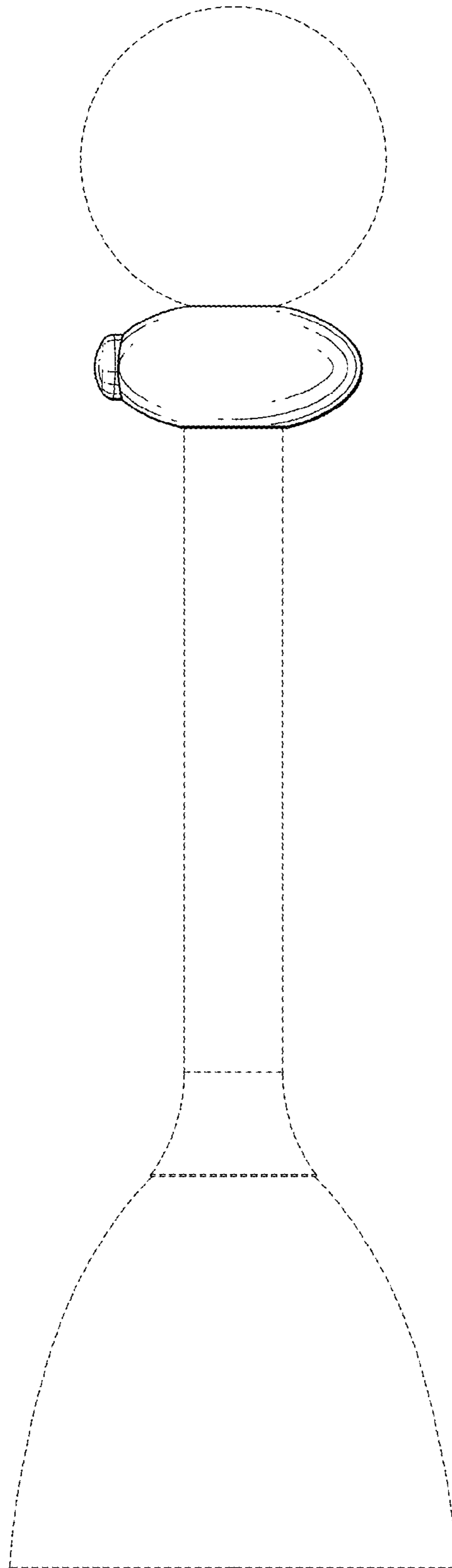


FIG. 5

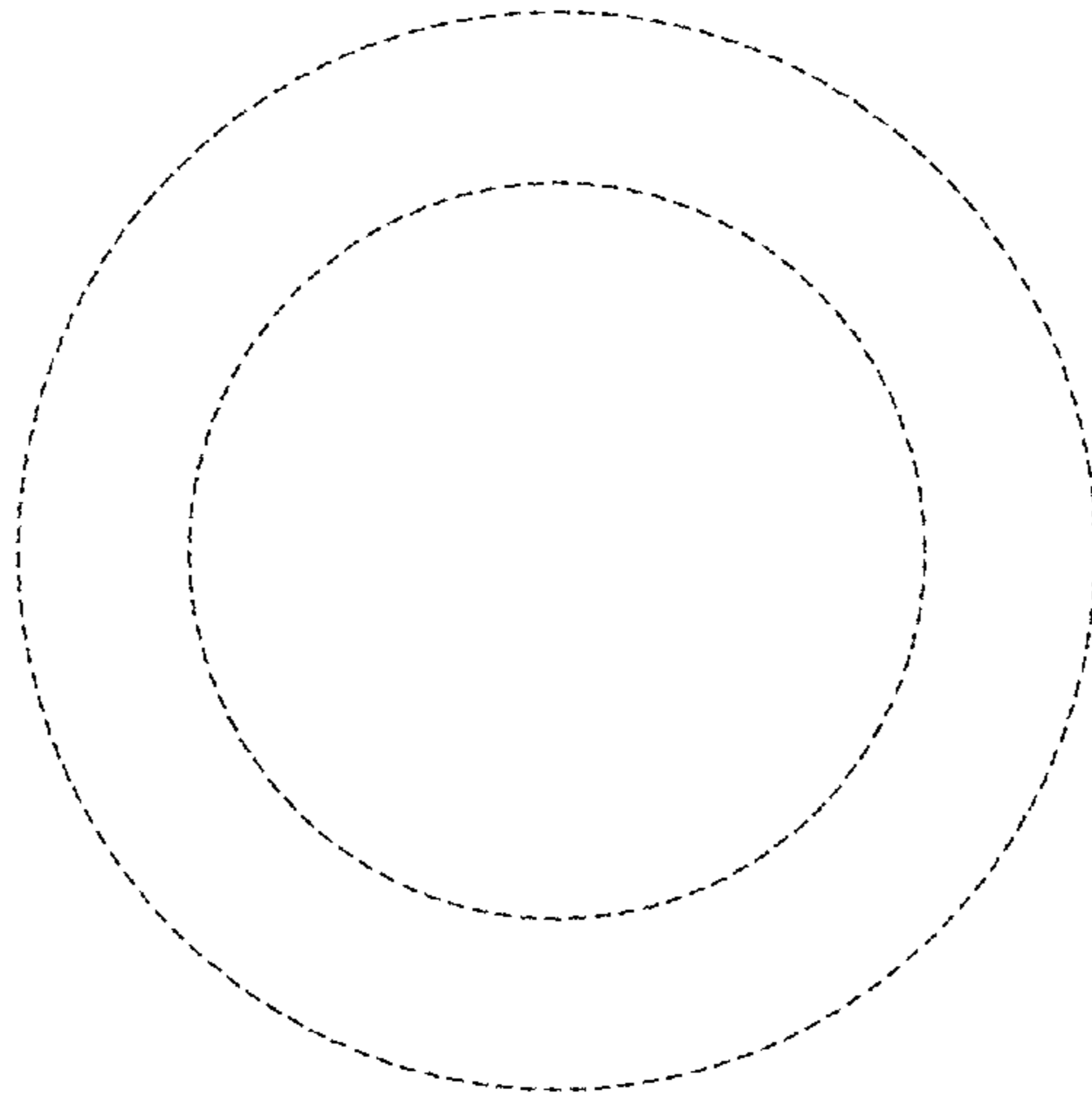


FIG. 6

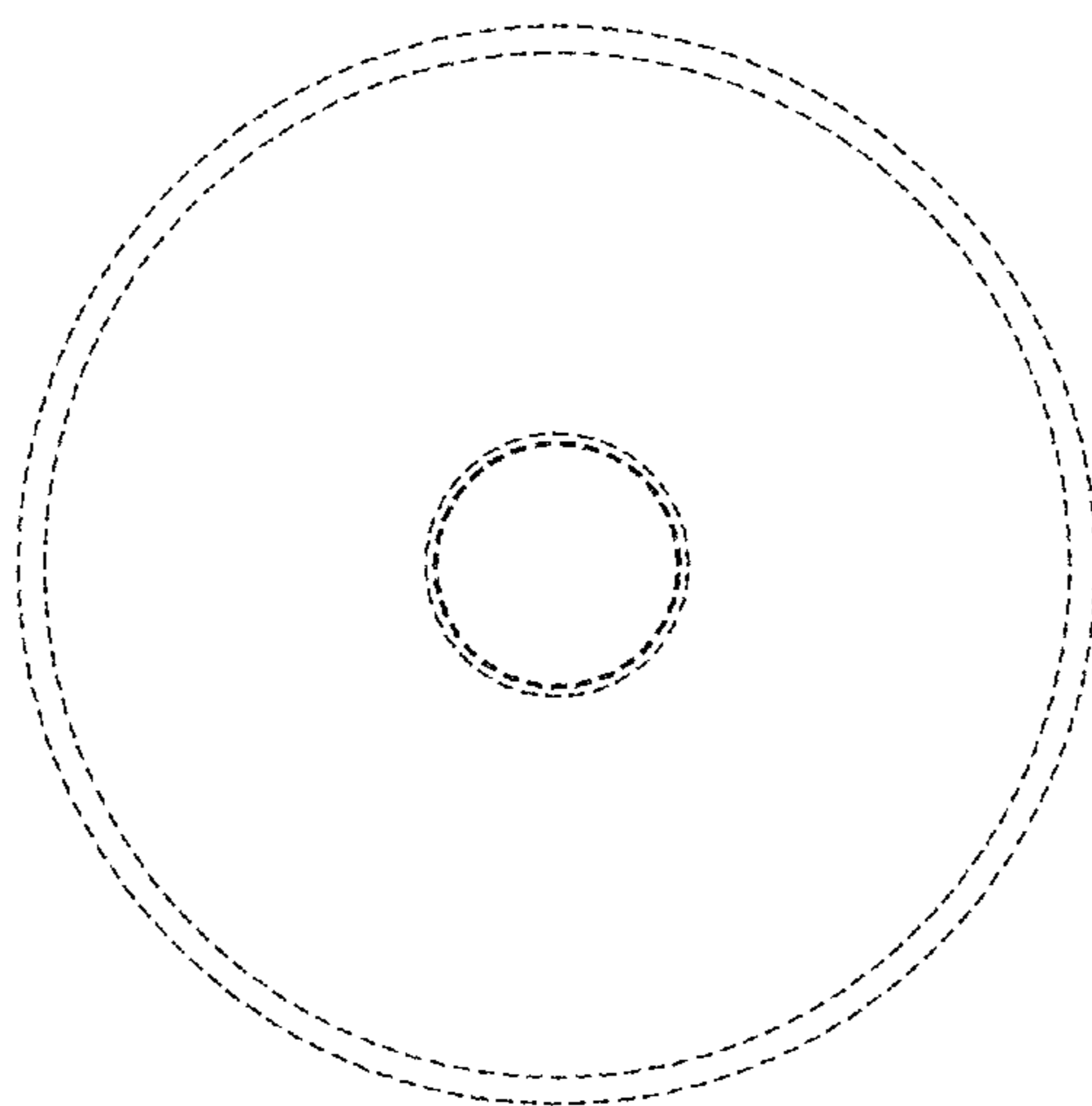


FIG. 7

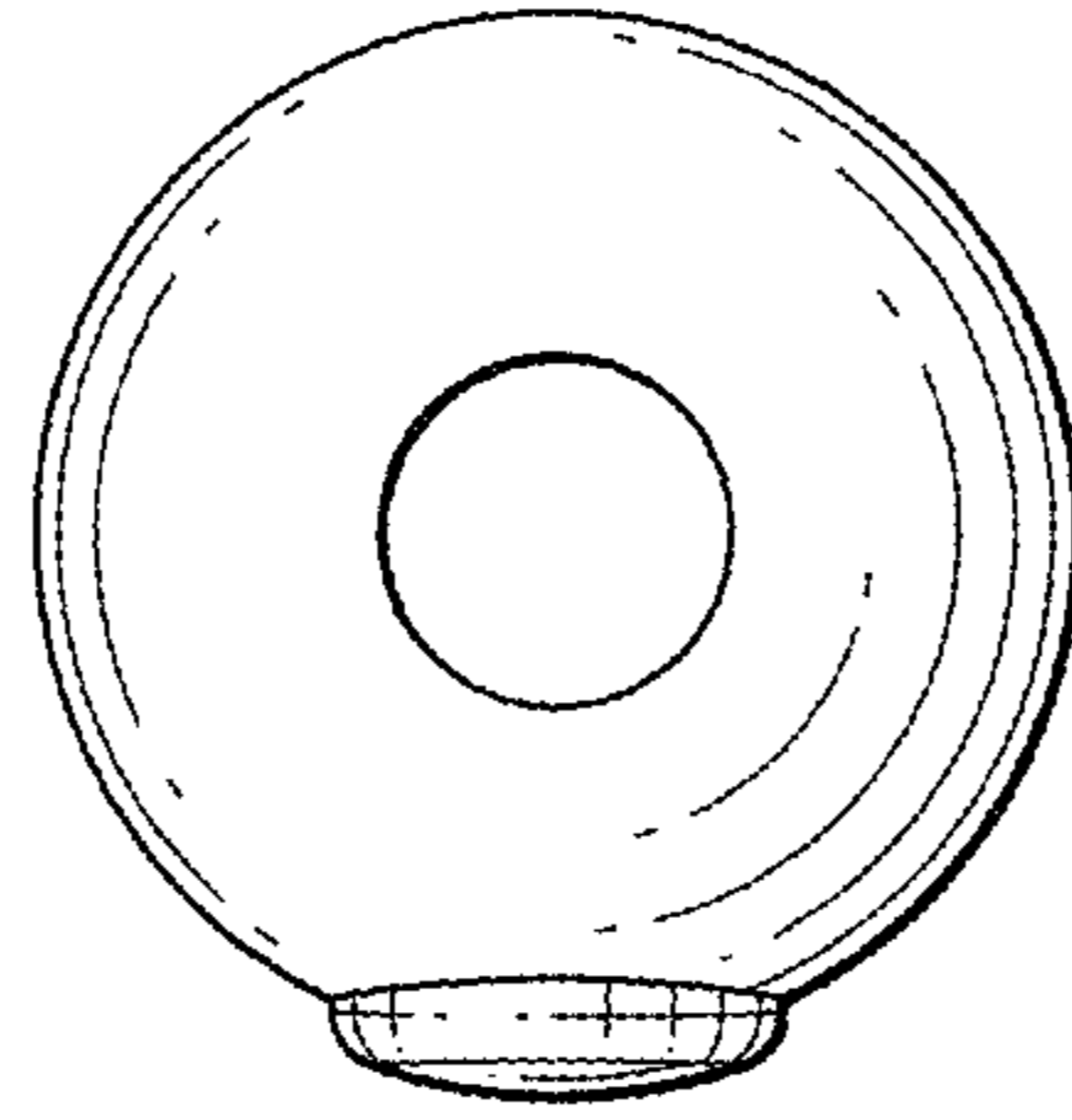


FIG. 8

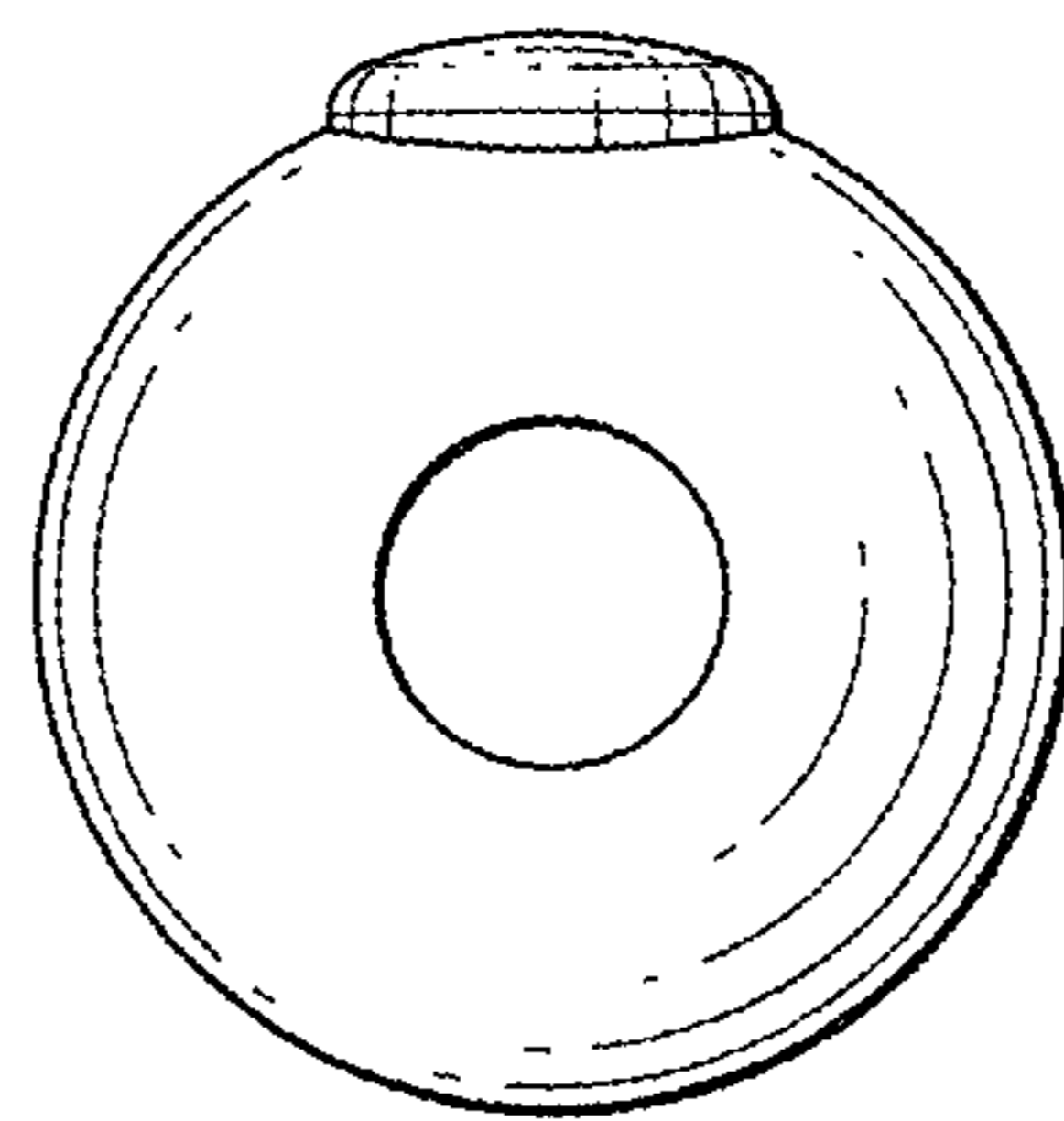


FIG. 9