



US00D760038S

(12) **United States Design Patent**
Riha, IV et al.

(10) **Patent No.:** **US D760,038 S**
(45) **Date of Patent:** **** Jun. 28, 2016**

(54) **SIFTER APPARATUS**

(71) Applicants: **Vincent John Riha, IV**, Cleveland, OH (US); **Christian Stewart Dixon**, Cleveland, OH (US)

(72) Inventors: **Vincent John Riha, IV**, Cleveland, OH (US); **Christian Stewart Dixon**, Cleveland, OH (US)

(**) Term: **14 Years**

(21) Appl. No.: **29/434,765**

(22) Filed: **Dec. 13, 2012**

(51) **LOC (10) Cl.** **07-04**

(52) **U.S. Cl.**
USPC **D7/667**

(58) **Field of Classification Search**
USPC D7/667, 668, 368, 376, 387, 412, 378, D7/380, 384; 209/233, 235, 275, 365.1, 209/365.2, 358; 366/154.1, 154.2, 299
See application file for complete search history.

(56) **References Cited**

U.S. PATENT DOCUMENTS

673,349	A *	4/1901	Wright	460/141
2,537,852	A *	1/1951	Peterson	209/355
2,650,741	A *	9/1953	Van Guilder	141/363
2,710,098	A *	6/1955	Tilton	209/358
D251,472	S *	4/1979	Hutzler et al.	D7/668
4,179,904	A *	12/1979	McClenny	62/342
D266,819	S *	11/1982	Doyel	D7/668
D279,499	S *	7/1985	Case	D24/220
D290,921	S *	7/1987	Dardashti	D7/668
D312,188	S *	11/1990	Otto	D7/376
D390,069	S *	2/1998	DeCoster	D7/668
D395,194	S *	6/1998	Wong	D7/384
D398,234	S *	9/1998	Cautereels	D9/447
5,850,923	A *	12/1998	DeCoster et al.	209/417
D424,370	S *	5/2000	Drees	D7/412

(Continued)

Primary Examiner — Mark Goodwin

(57) **CLAIM**

The ornamental design for a sifter apparatus, as shown and described.

DESCRIPTION

FIG. 1 is a front elevation view of a first embodiment for a sifter apparatus showing our new design in a left handed configuration;

FIG. 2: is Rear Elevation view of the first embodiment thereof;

FIG. 3: is Left Elevation view of the first embodiment thereof;

FIG. 4: is Right Elevation view of the first embodiment thereof;

FIG. 5: is Top view of the first embodiment thereof;

FIG. 6: is Bottom view of the first embodiment thereof;

FIG. 7: is Front Left Isometric view of the first embodiment thereof;

FIG. 8: is Front Right Isometric view of the first embodiment thereof;

FIG. 9: is Rear Right Isometric view of the first embodiment thereof;

FIG. 10: is Rear Left Isometric view of the first embodiment thereof;

FIG. 11 is a front elevation view of a second embodiment for a sifter apparatus showing our new design in a right handed configuration;

FIG. 12: is Rear Elevation view of the second embodiment thereof;

FIG. 13: is Left Elevation view of the second embodiment thereof;

FIG. 14: is Right Elevation view of the second embodiment thereof;

FIG. 15: is Top view of the second embodiment thereof;

FIG. 16: is Bottom view of the second embodiment thereof;

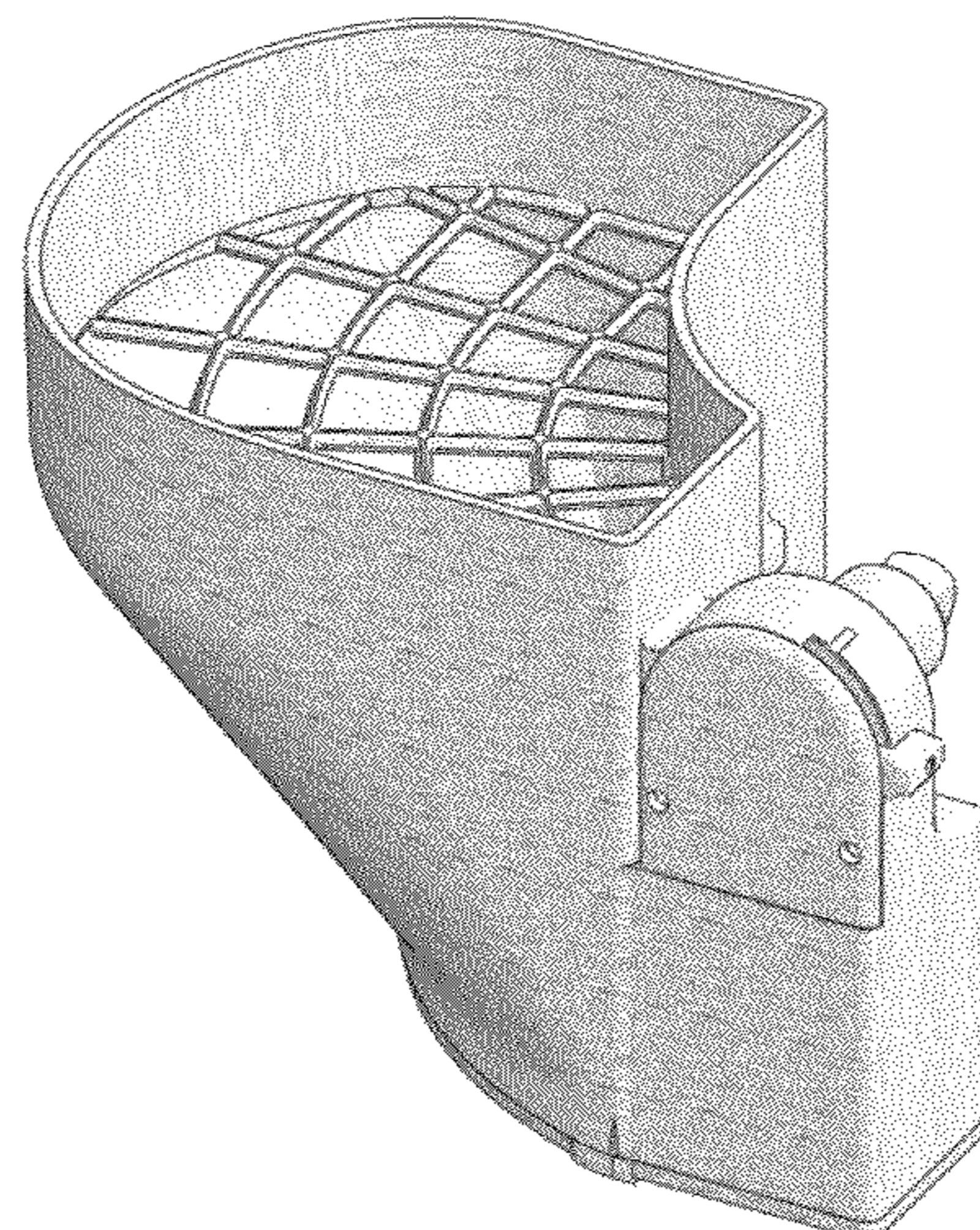
FIG. 17: is Front Left Isometric view of the second embodiment thereof;

FIG. 18: is Front Right Isometric view of the second embodiment thereof;

FIG. 19: is Rear Right Isometric view of the second embodiment thereof; and,

FIG. 20: is Rear Left Isometric view of the second embodiment thereof.

1 Claim, 20 Drawing Sheets



(56)

References Cited

U.S. PATENT DOCUMENTS

D426,422 S *	6/2000	Otto	D7/384	6,886,972 B2 *	5/2005	Buchsteiner	366/154.2
D438,761 S *	3/2001	Settele	D7/668	D511,275 S *	11/2005	Fritz et al.	D7/668
D448,966 S *	10/2001	Hsieh	D7/376	D633,334 S *	3/2011	Kaiser et al.	D7/379
D463,205 S *	9/2002	Schlichting	D7/376	D683,578 S *	6/2013	Nordwall	D7/379
D473,420 S *	4/2003	Lo et al.	D7/376	2003/0081498 A1 *	5/2003	Buchsteiner	366/197
D475,238 S *	6/2003	Feil	D7/376	2005/0162971 A1 *	7/2005	Buchsteiner	366/154.2
D480,613 S *	10/2003	Wong	D7/693	2005/0237852 A1 *	10/2005	Chandran	366/136
6,669,359 B1 *	12/2003	Ancona et al.	366/197	2010/0256804 A1 *	10/2010	Freeman	700/223
				2014/0102951 A1 *	4/2014	Riha et al.	209/233
				2015/0014227 A1 *	1/2015	Riha et al.	209/236

* cited by examiner

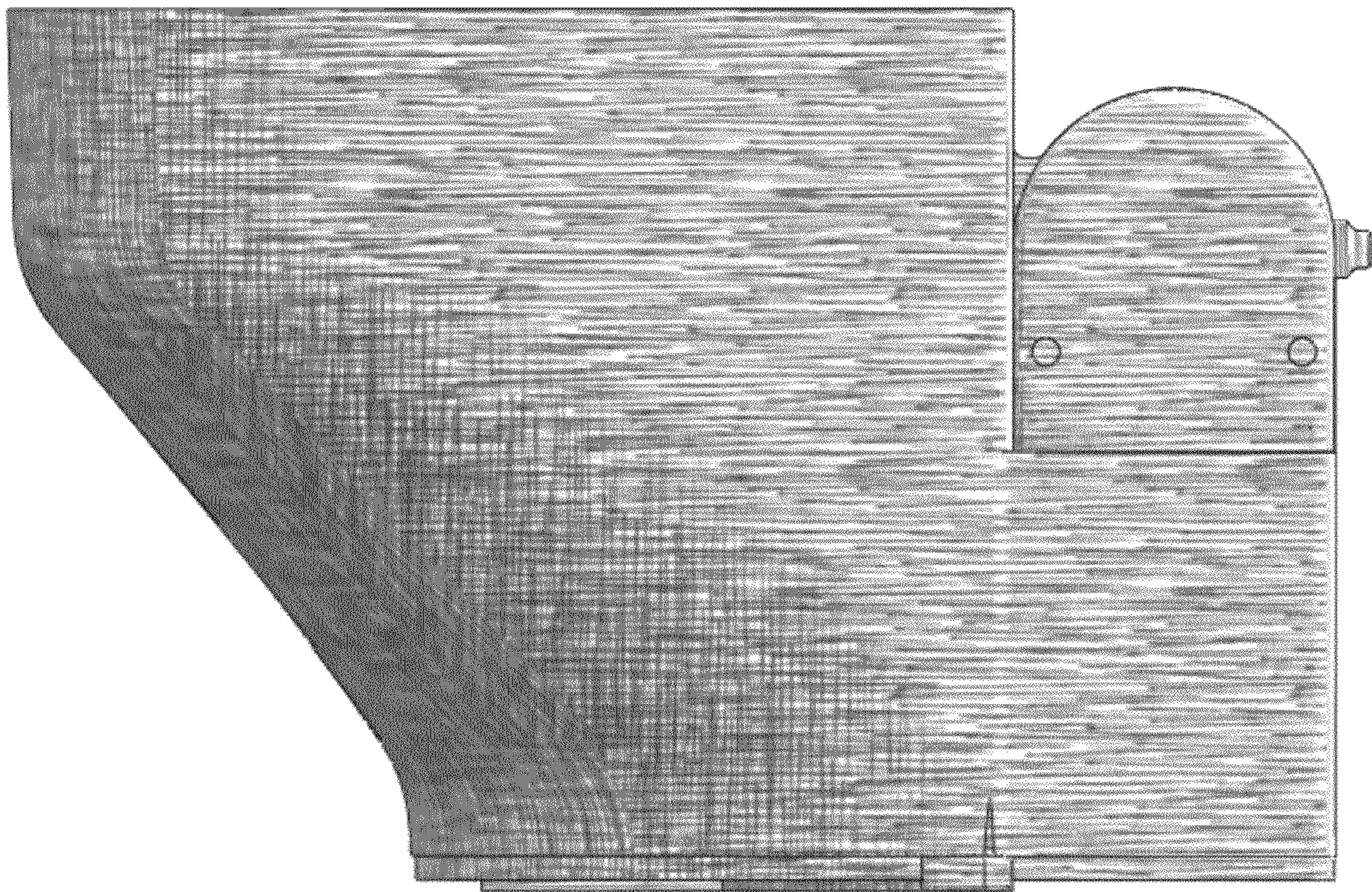


Fig.1

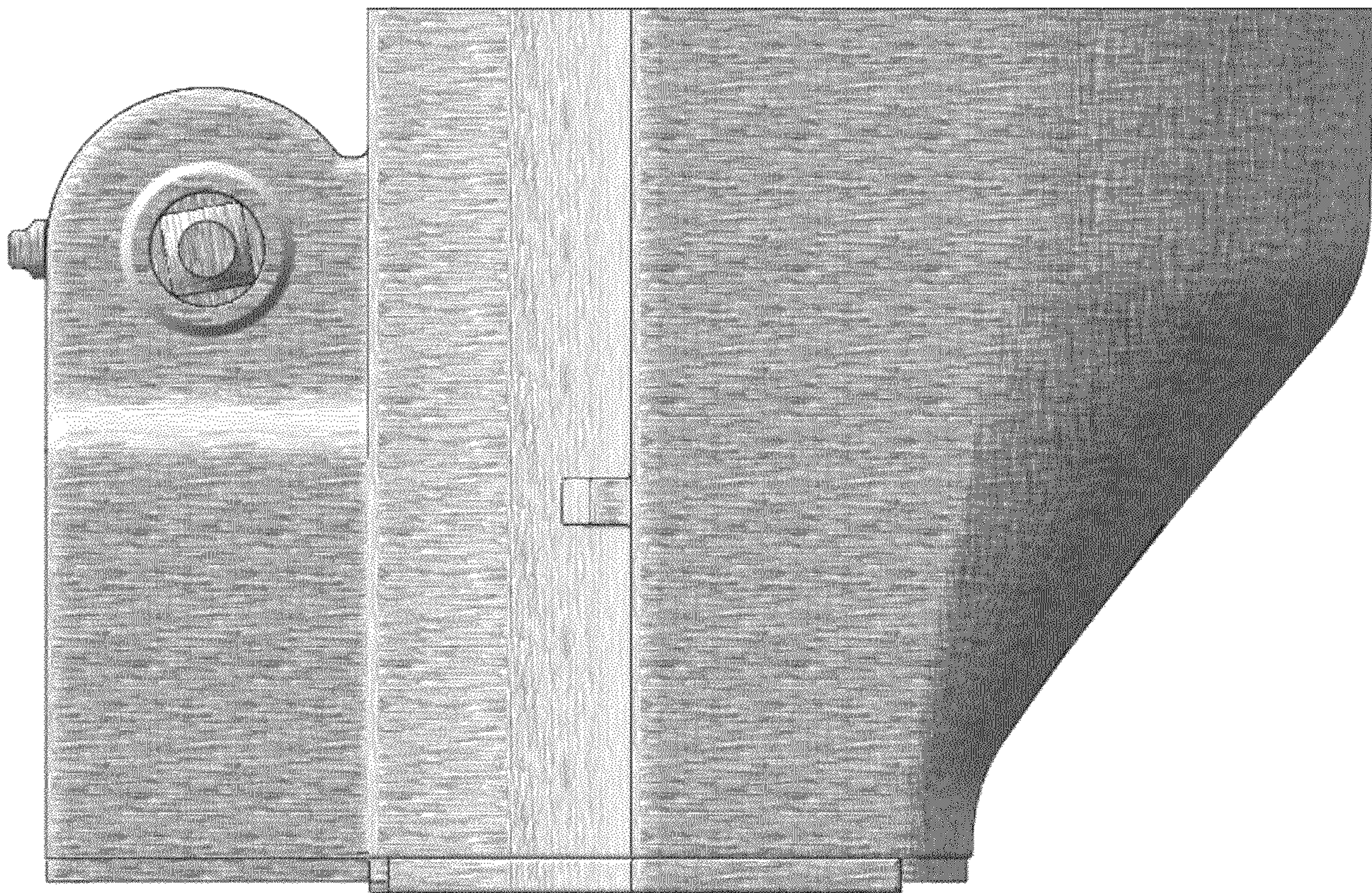


Fig. 2

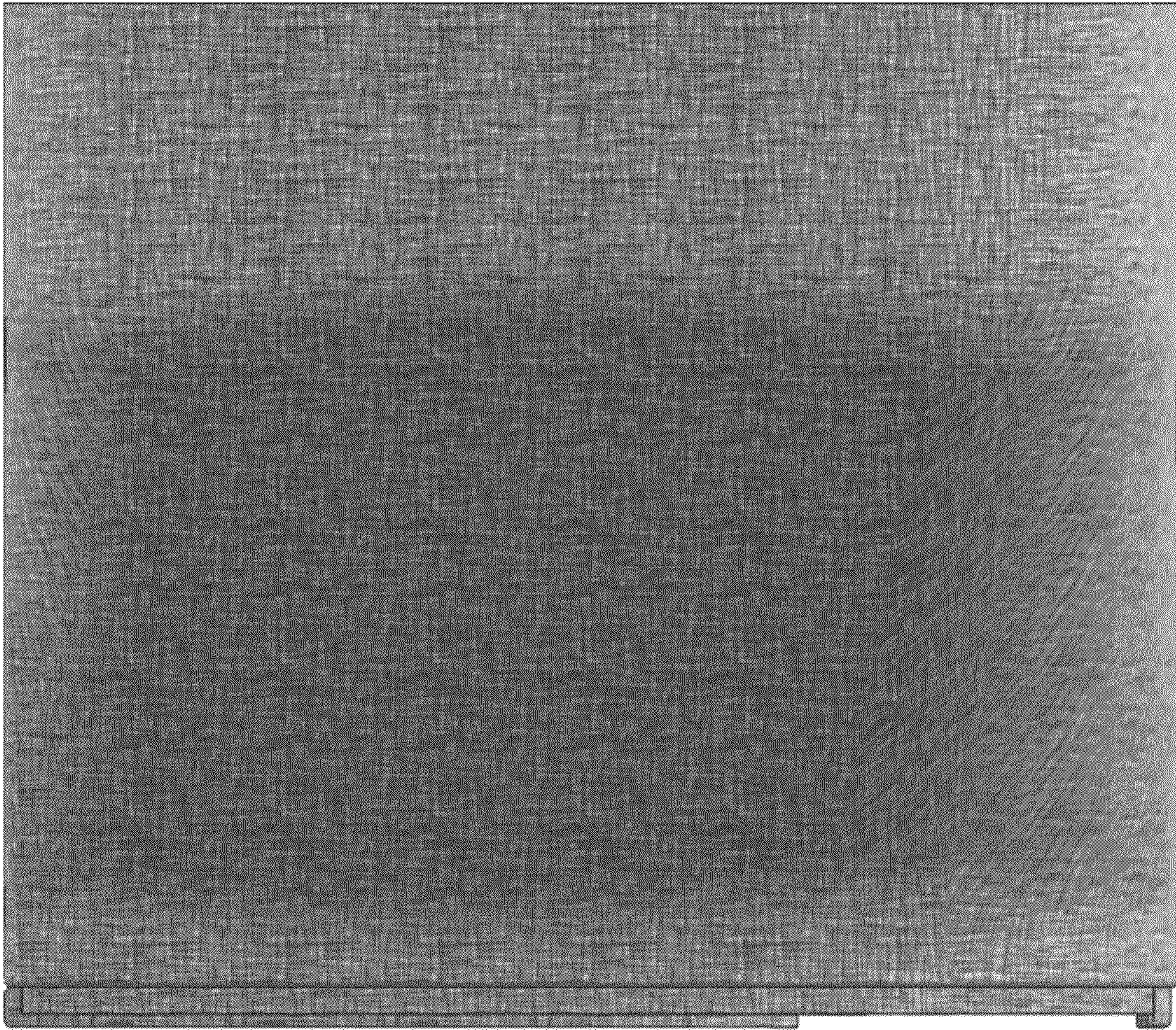


Fig.3

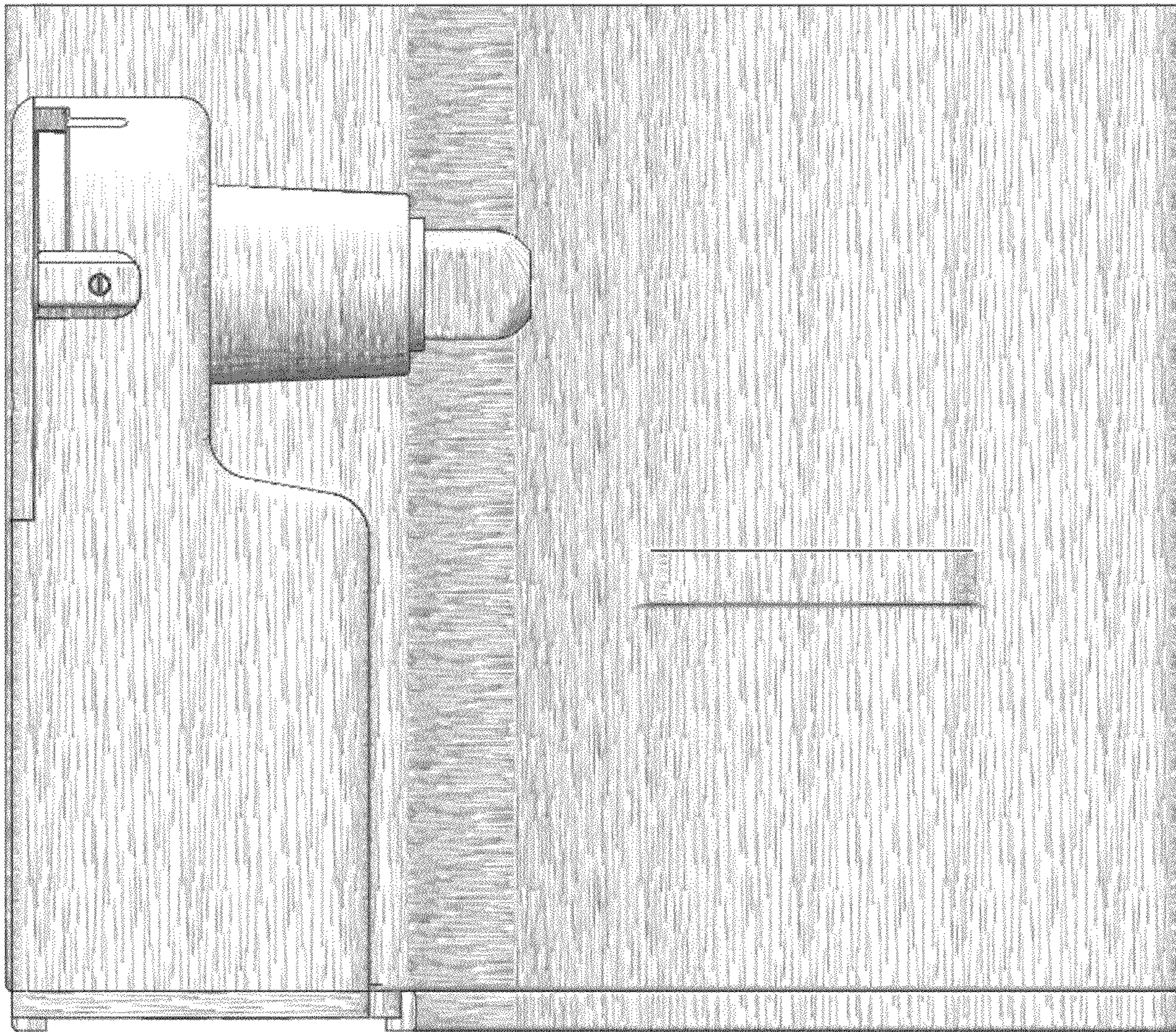


Fig.4

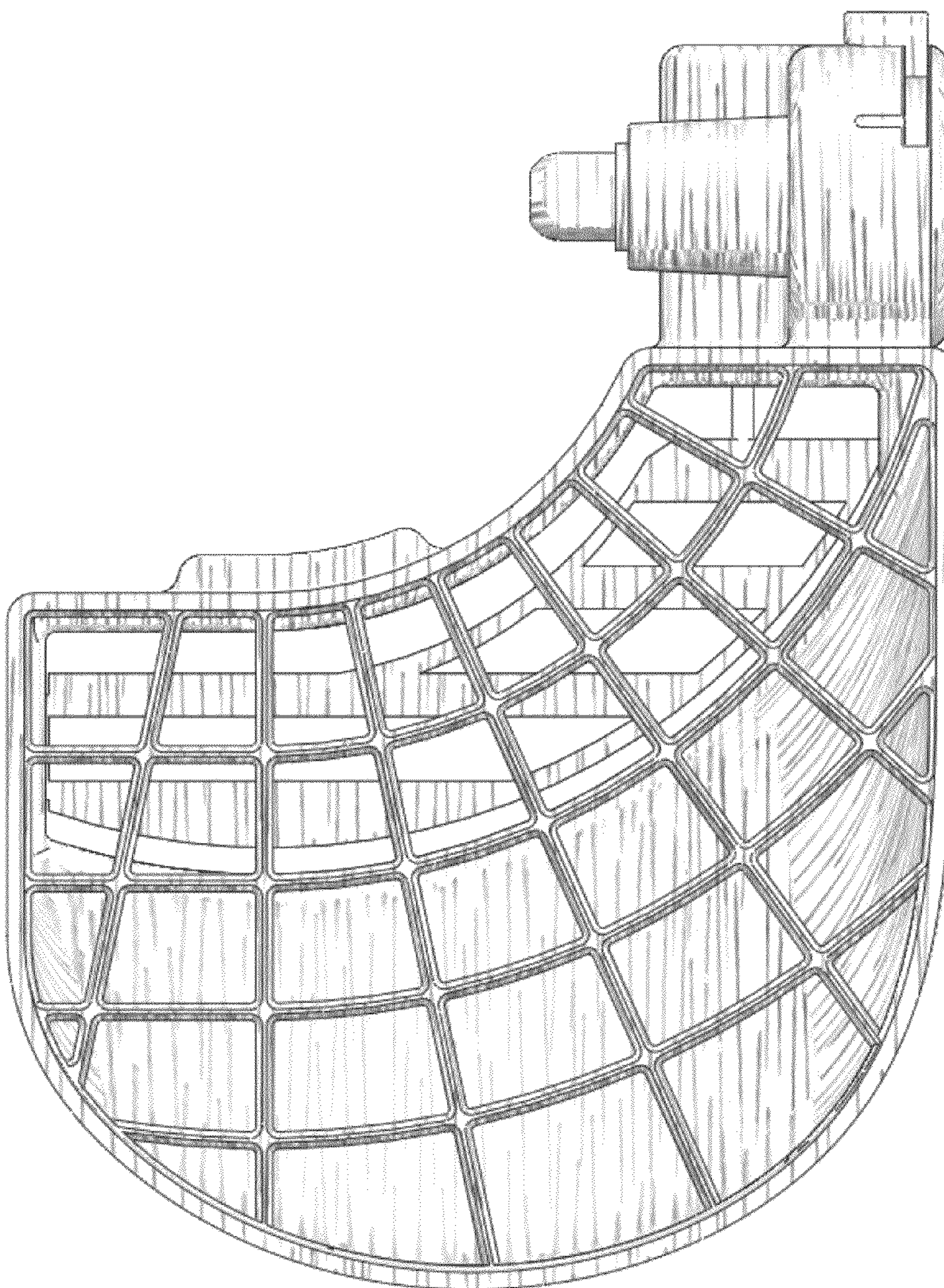


Fig. 5

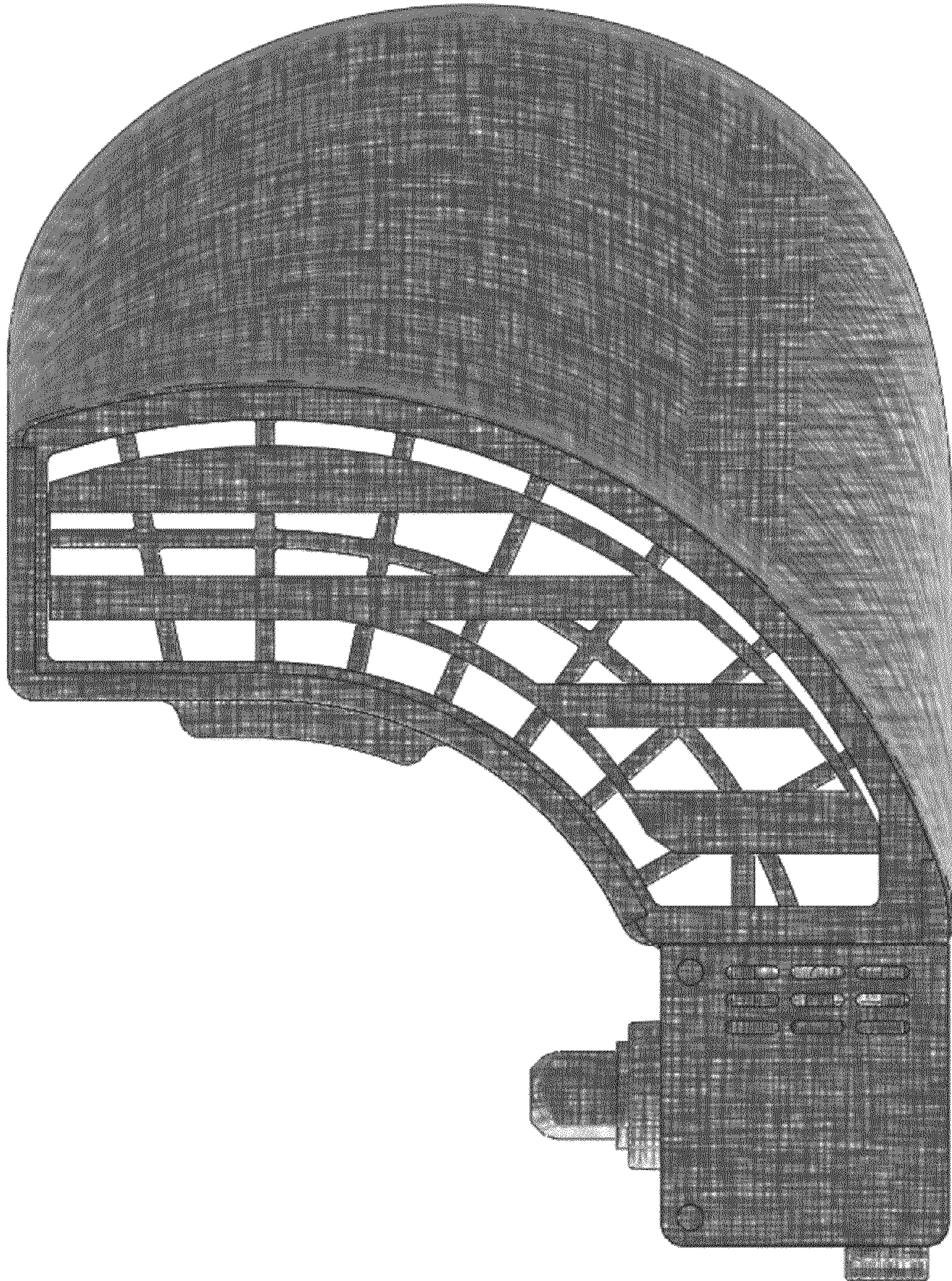


Fig.6

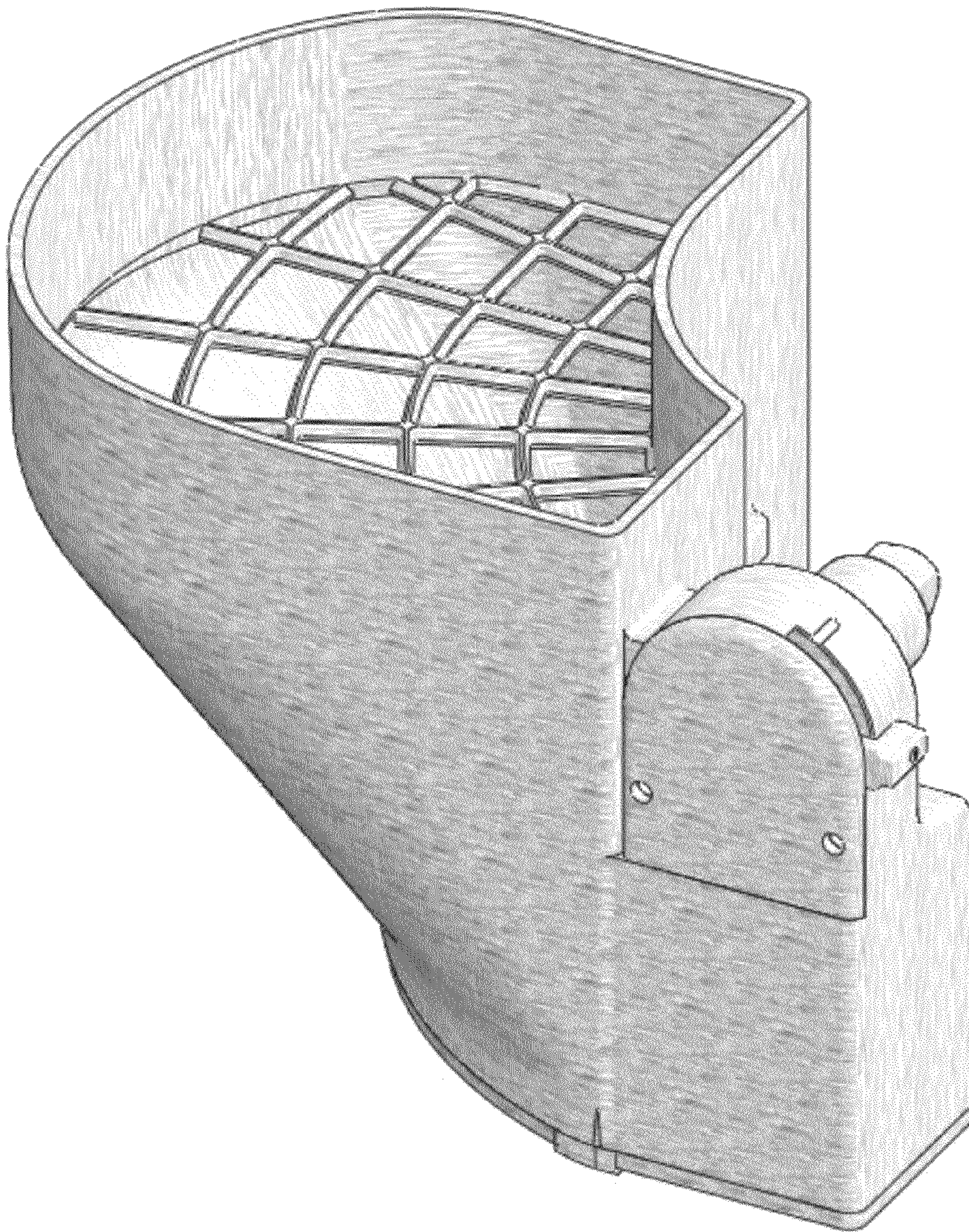


Fig.7

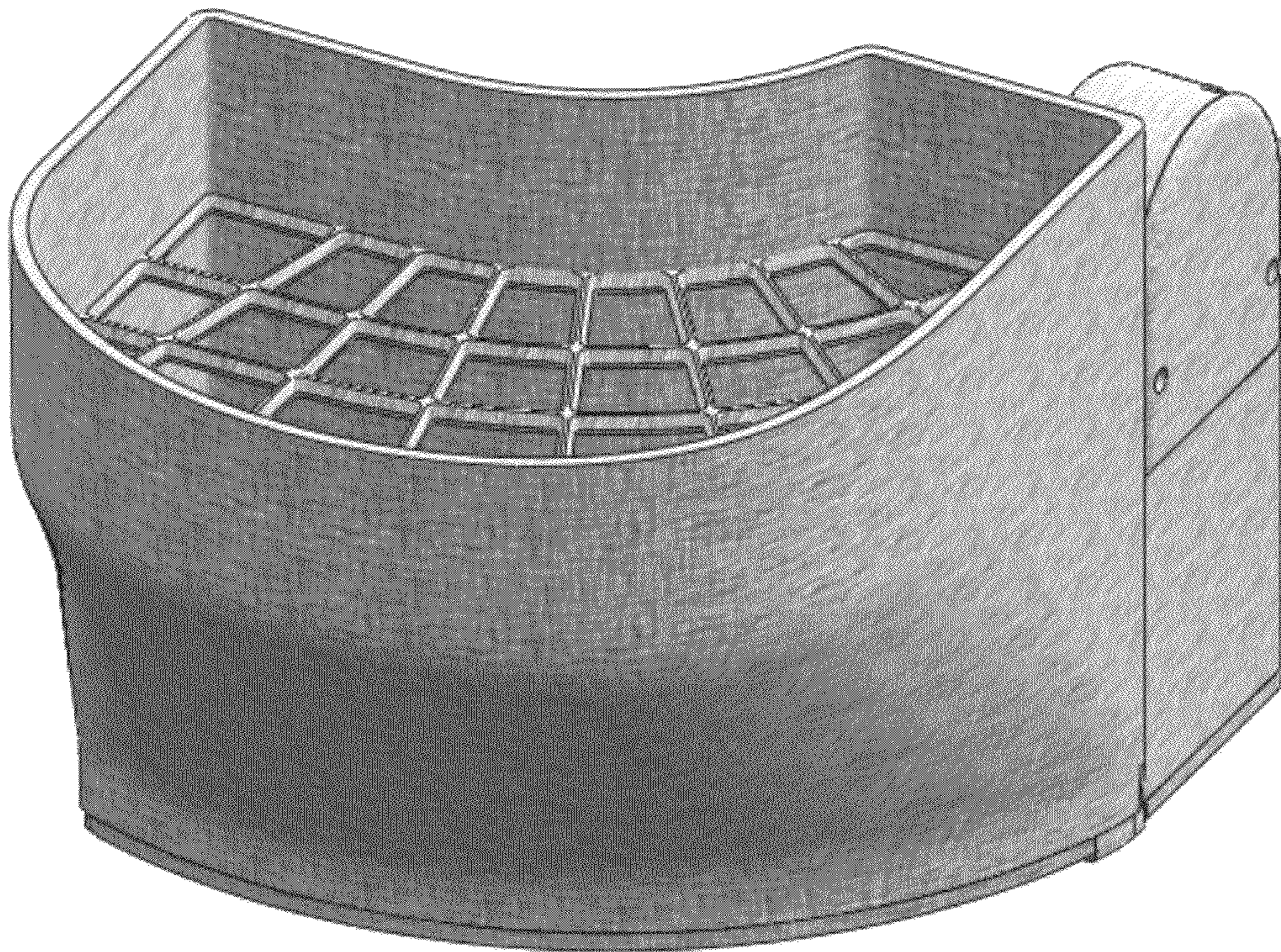


Fig.8

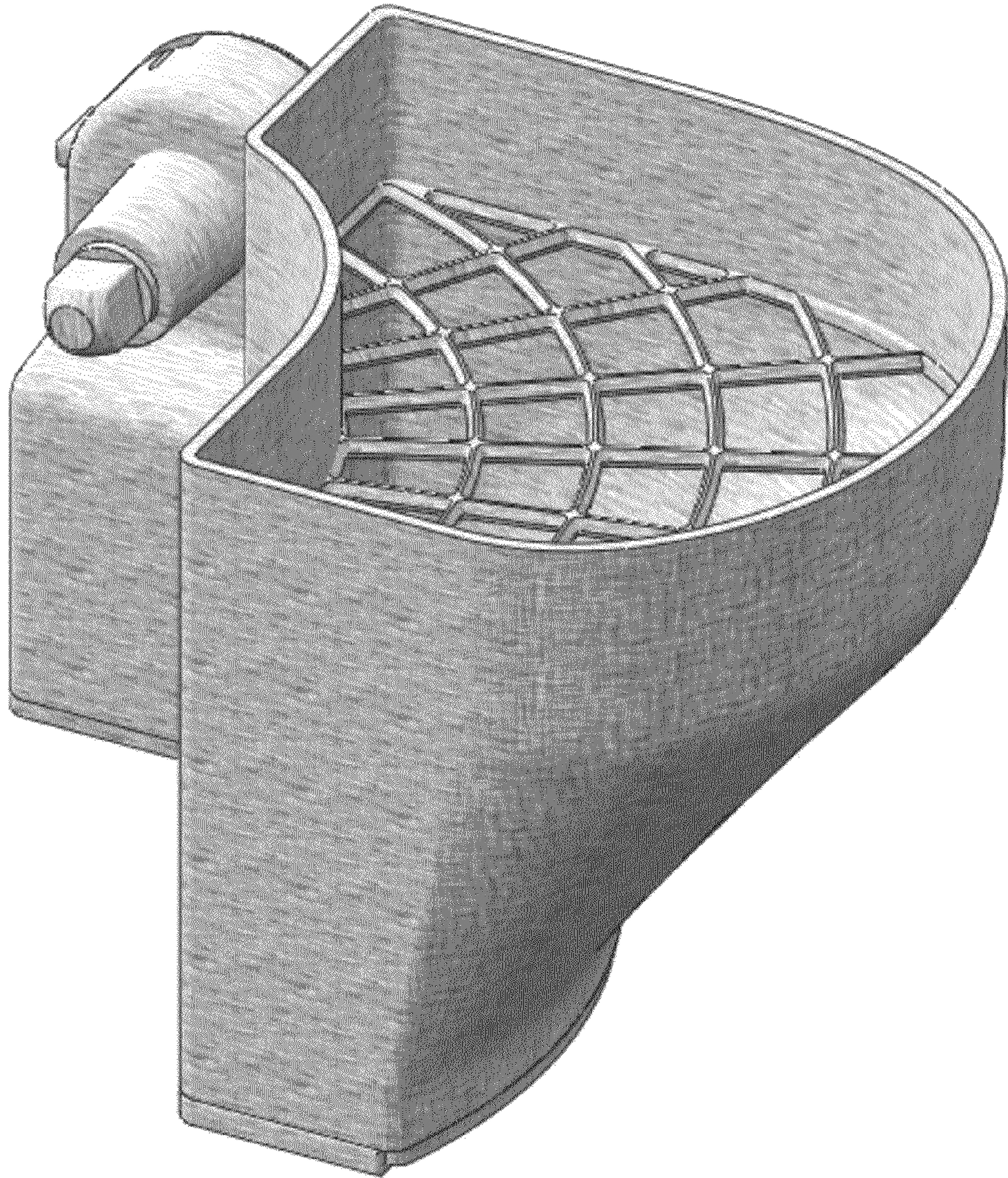


Fig.9

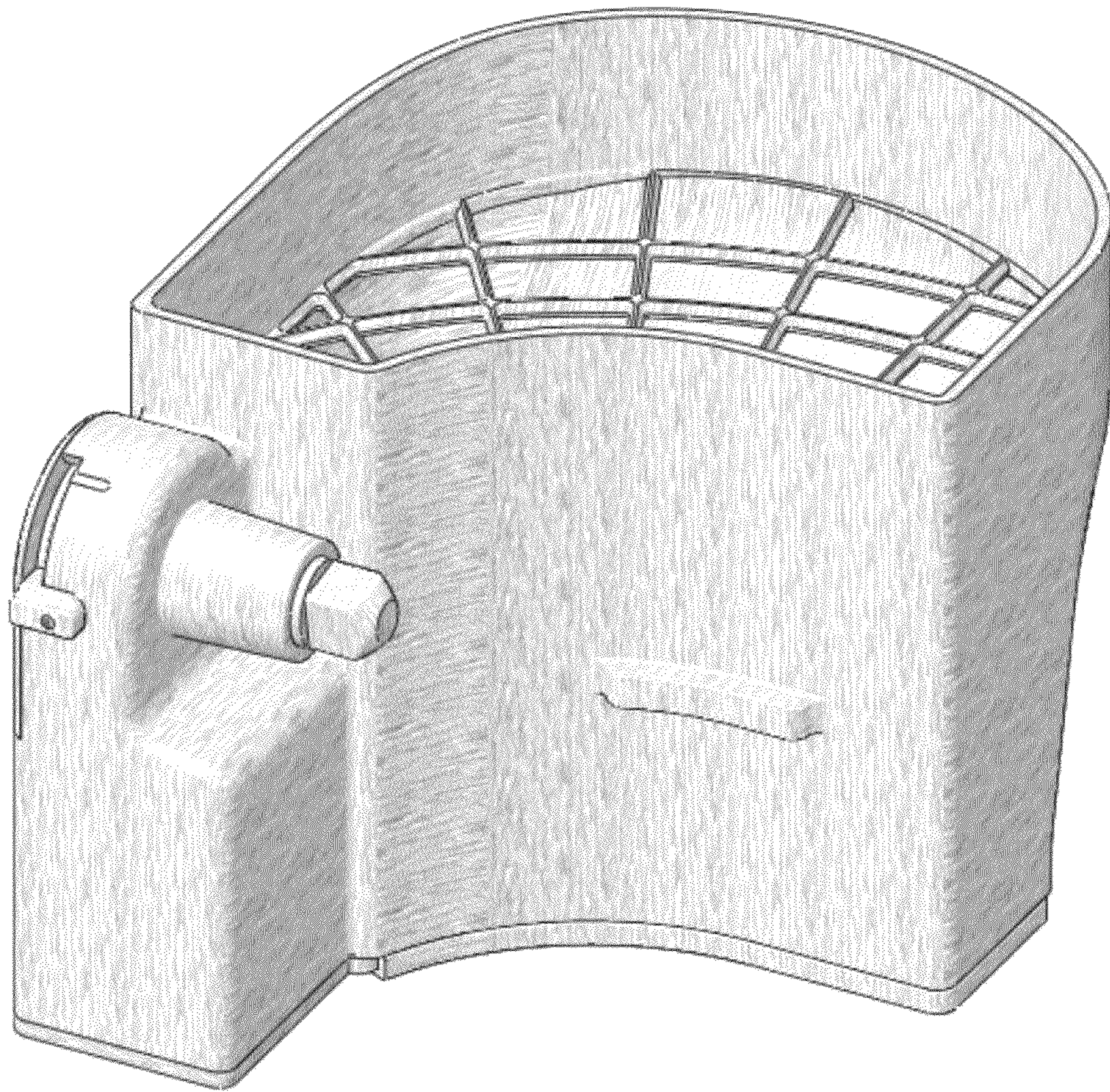


Fig.10

Second Embodiment

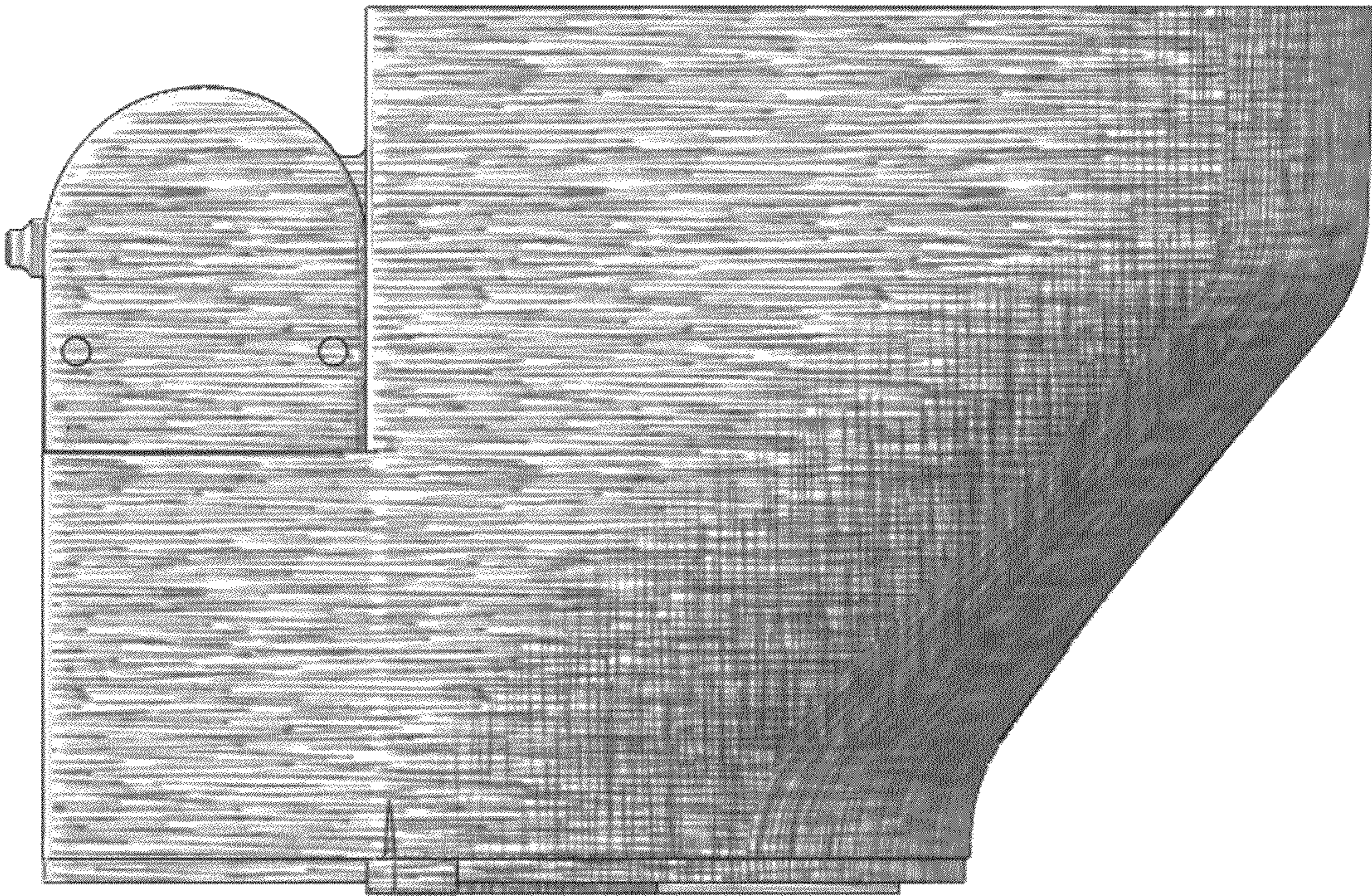


Fig. 11

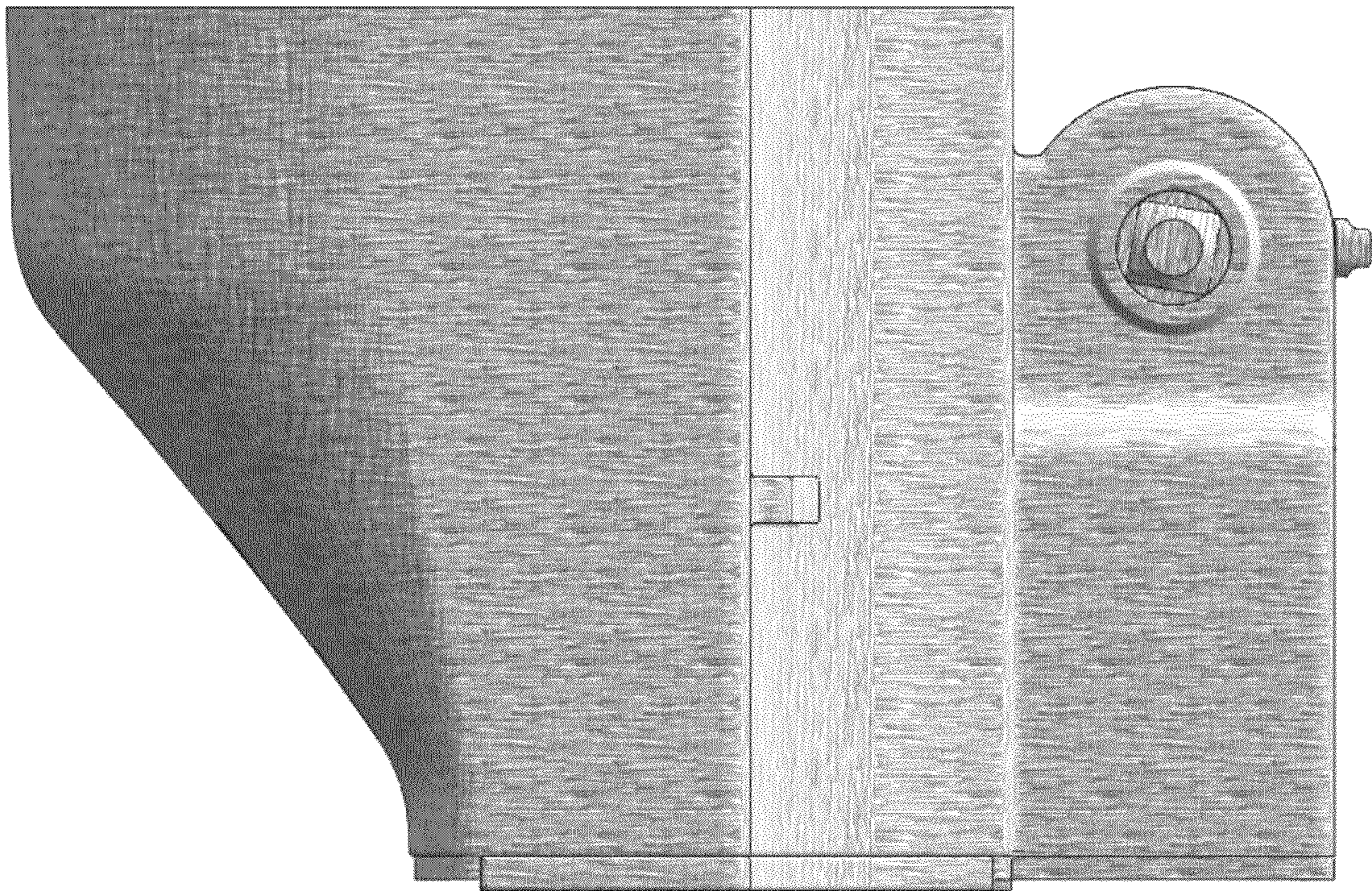


Fig.12

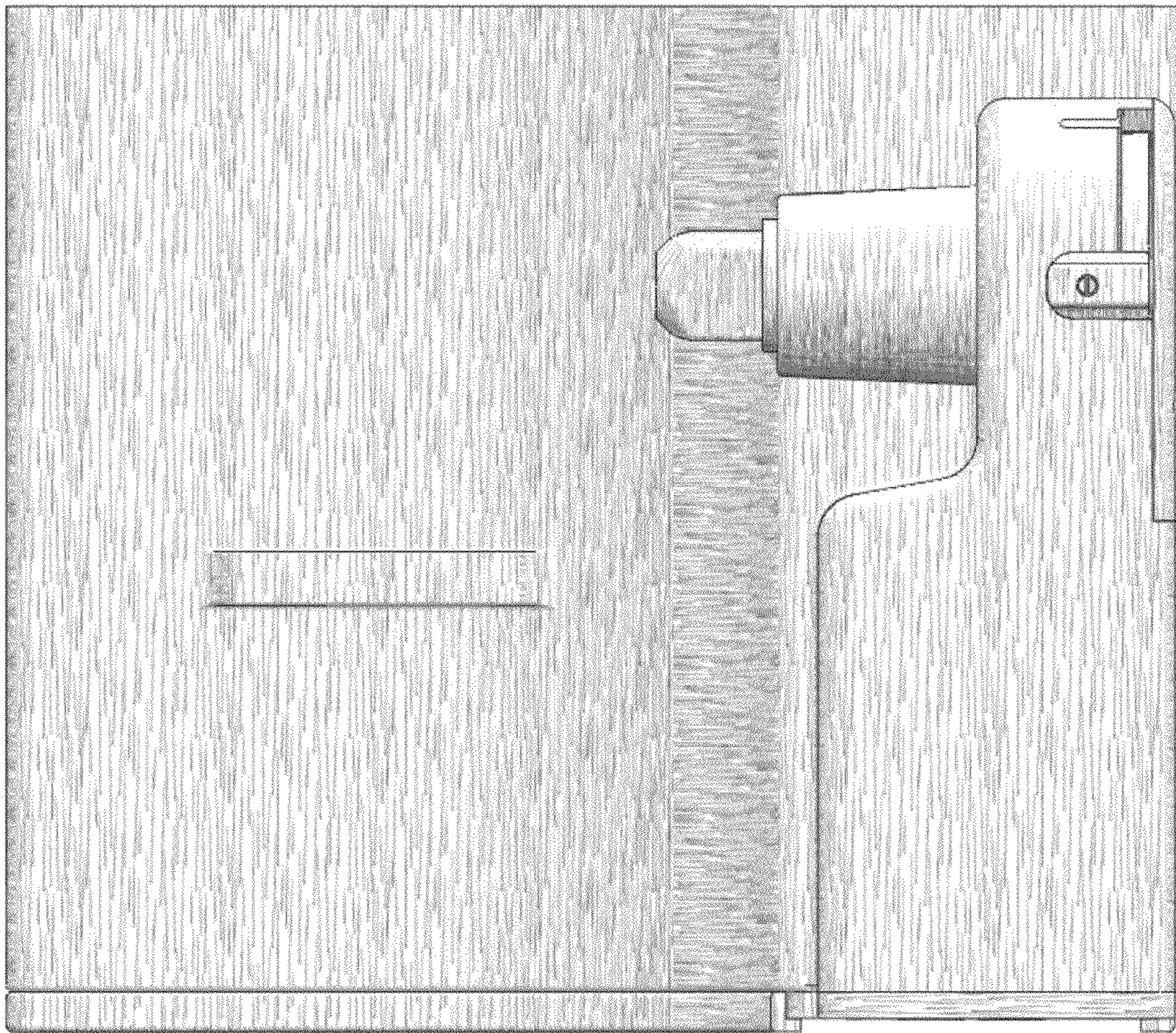


Fig. 13

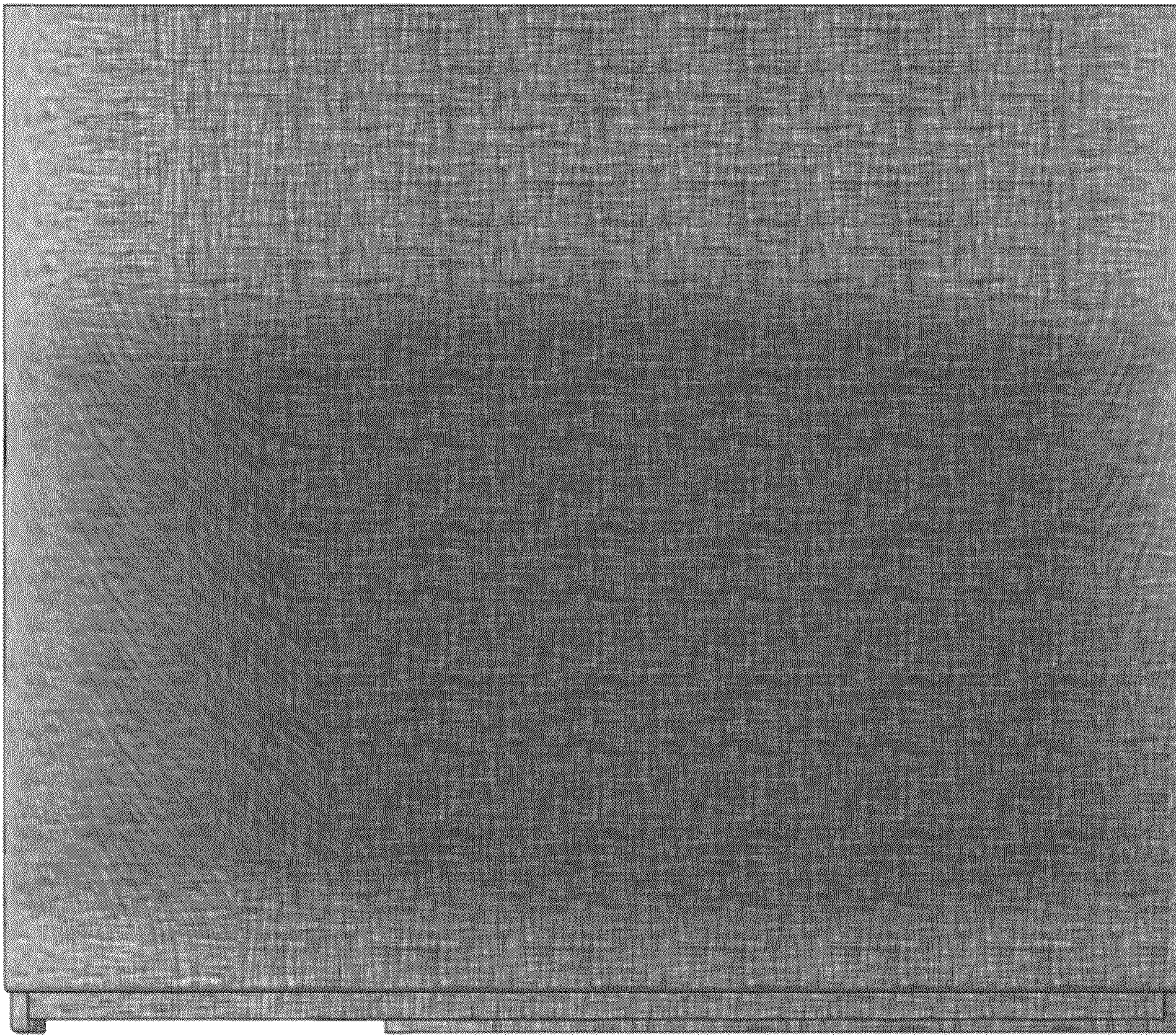


Fig.14

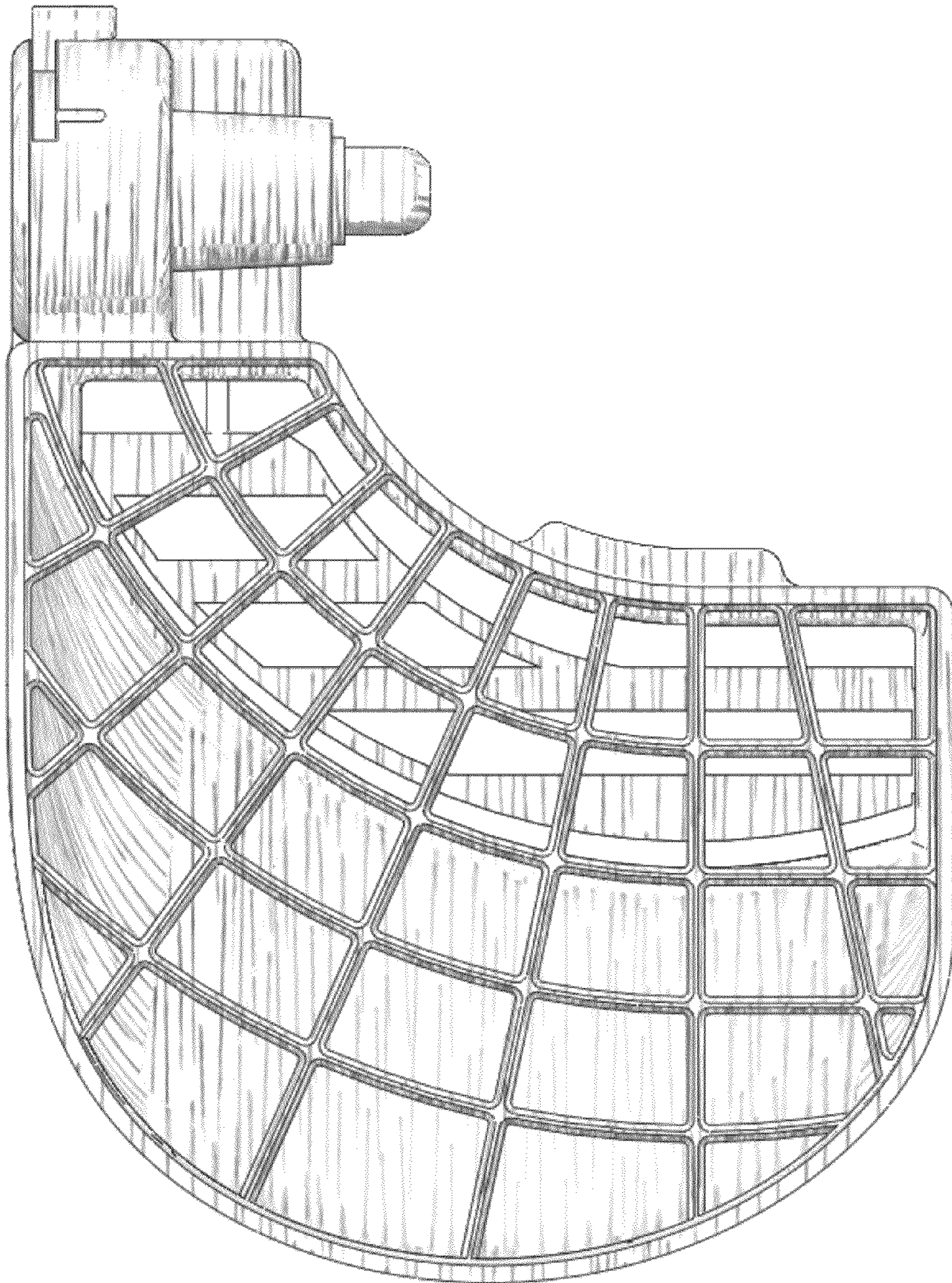


Fig. 15

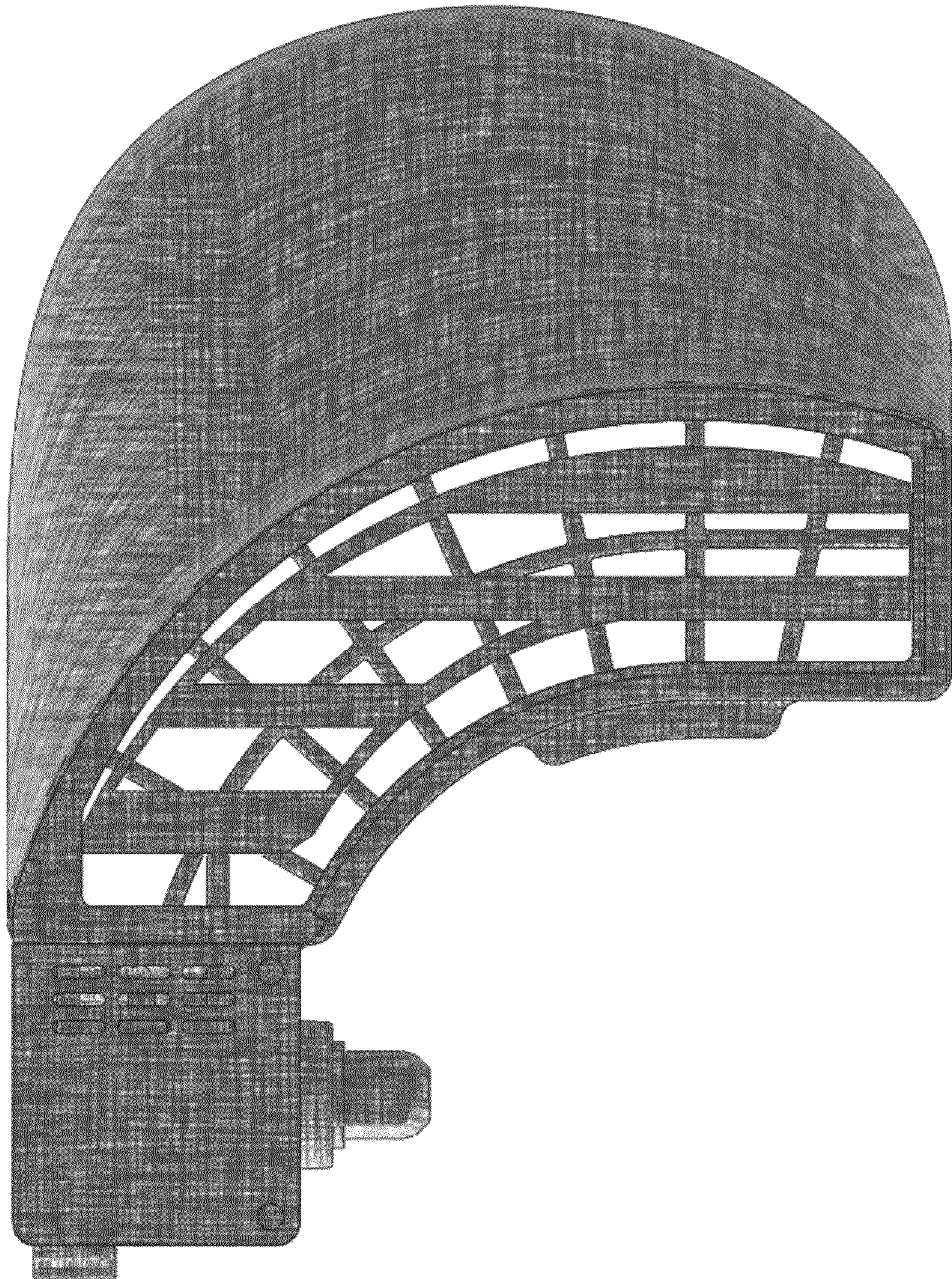


Fig.16

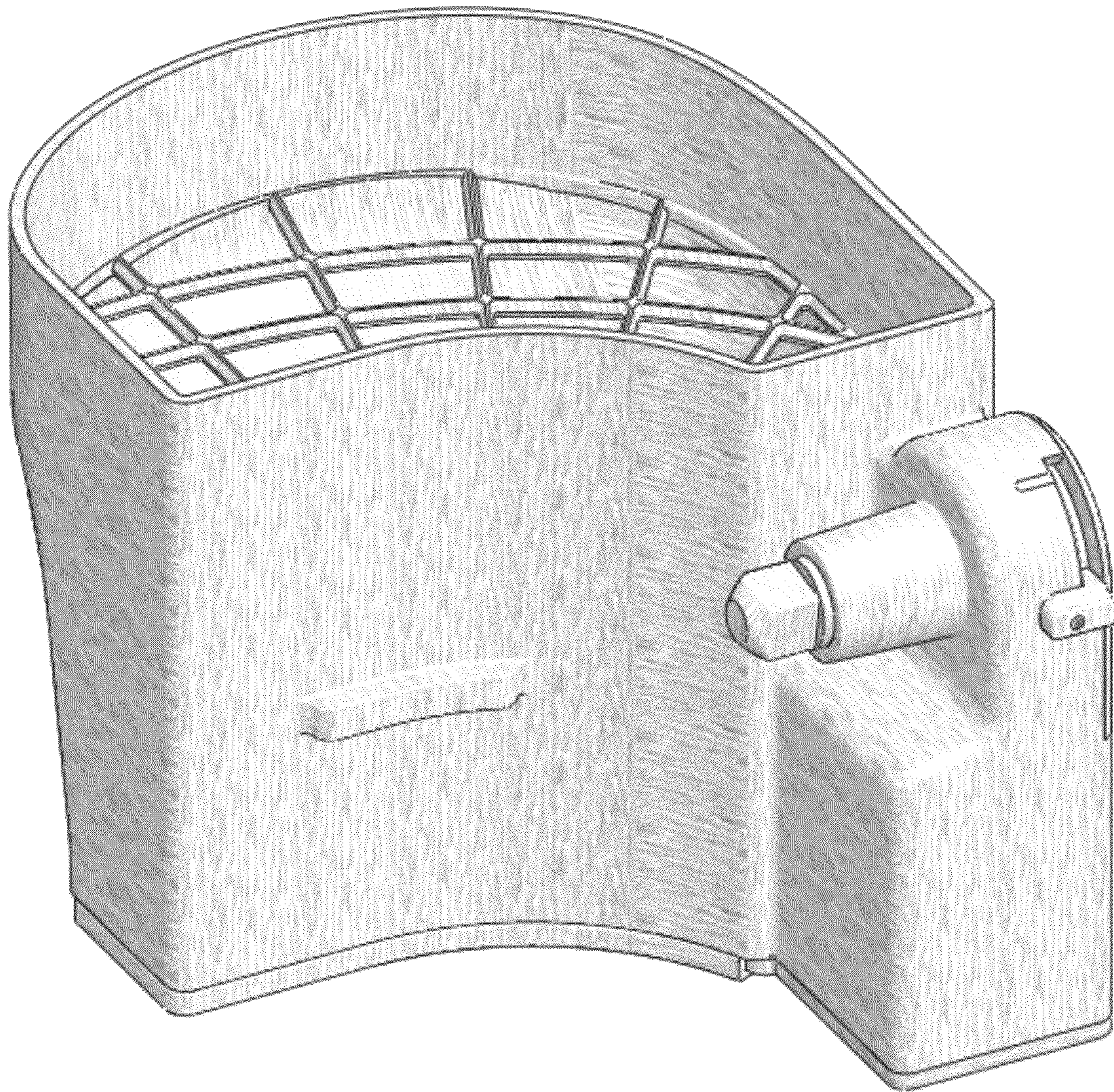


Fig. 17

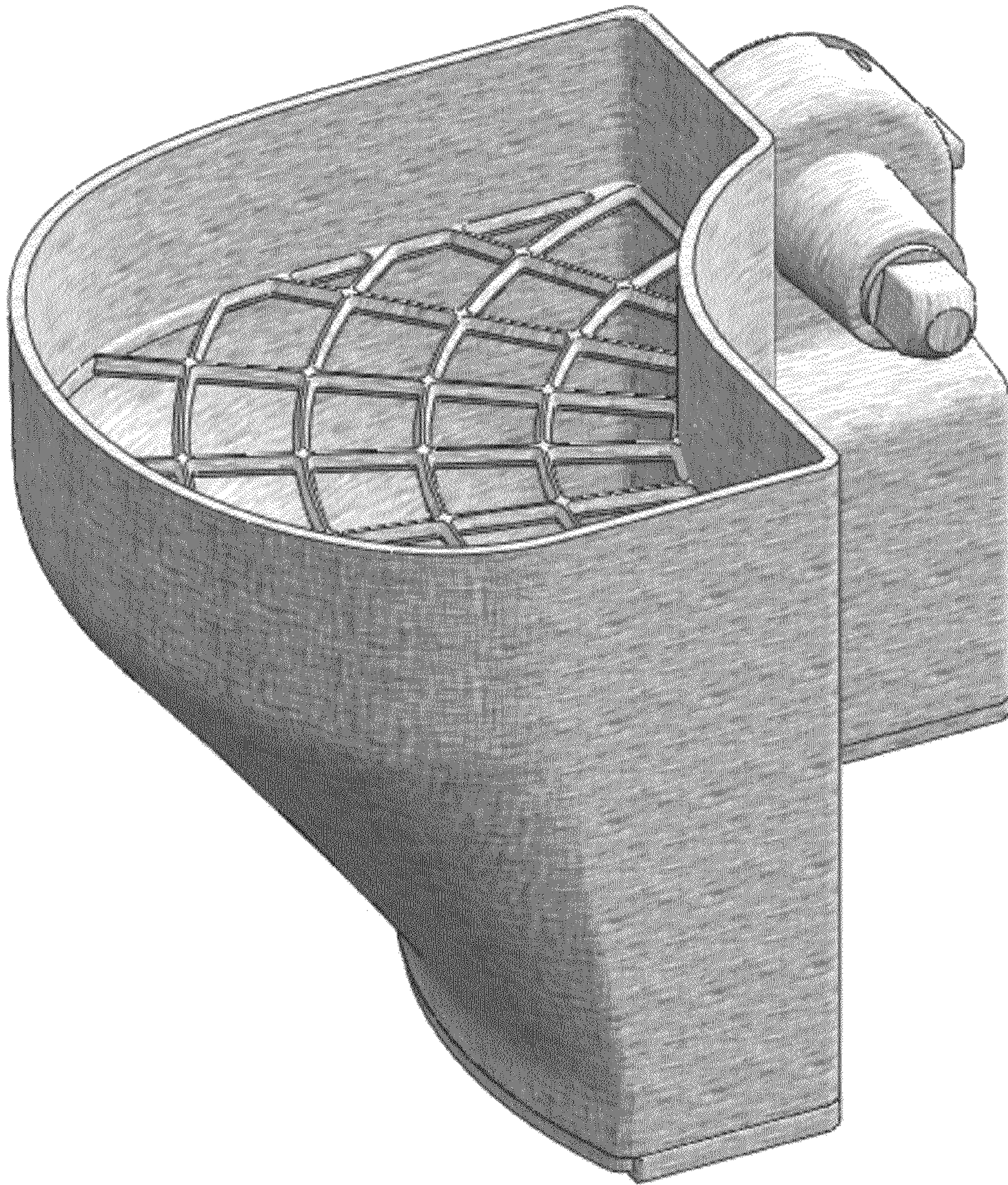


Fig.18

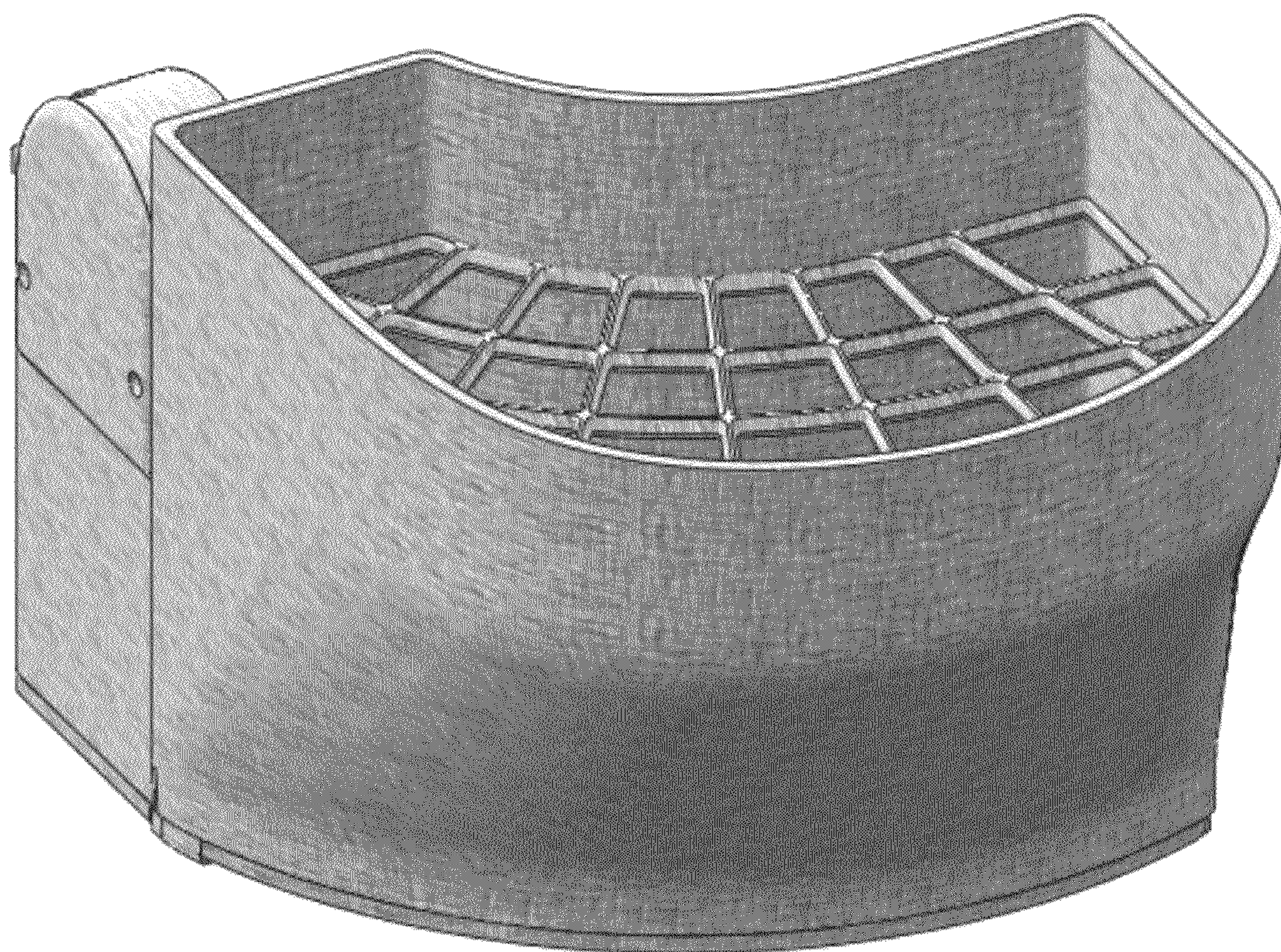


Fig. 19

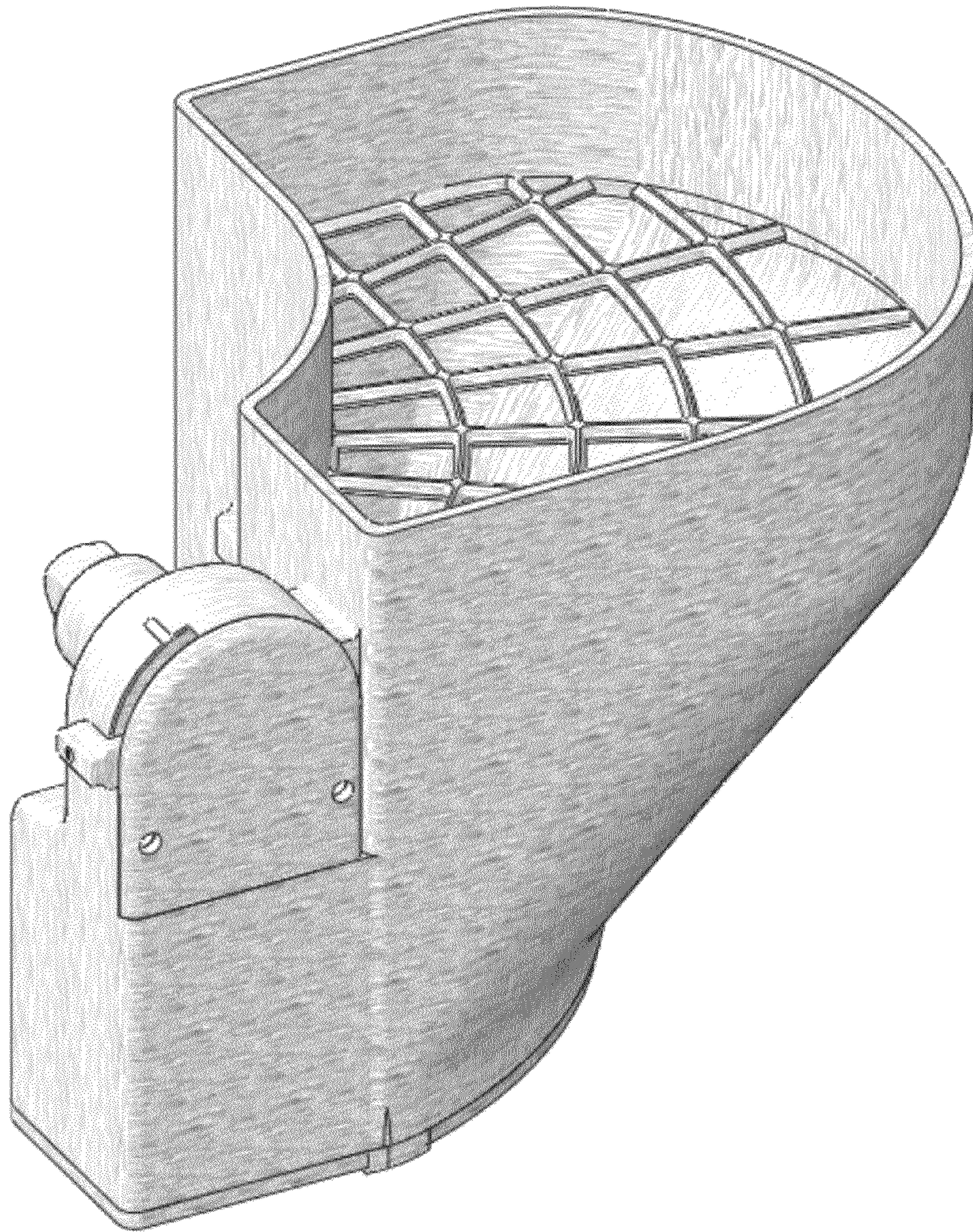


Fig.20