



US00D760036S

(12) **United States Design Patent**
Hucuptan

(10) **Patent No.:** **US D760,036 S**
(45) **Date of Patent:** **** Jun. 28, 2016**

- (54) **PACKAGE**
- (71) Applicant: **Burak Hucuptan**, Bayrakli Izmir (TR)
- (72) Inventor: **Burak Hucuptan**, Bayrakli Izmir (TR)
- (73) Assignee: **CHEF SEASONS GIDA SANAYI VE TICARET LIMITED SIRKETI**, Bayrakli, Izmir (TR)
- (**) Term: **14 Years**
- (21) Appl. No.: **29/511,837**
- (22) Filed: **Dec. 15, 2014**
- (51) **LOC (10) Cl.** **07-01**
- (52) **U.S. Cl.**
USPC **D7/629**
- (58) **Field of Classification Search**
USPC D7/629, 628, 630, 601, 602, 538–542,
D7/612–615; D9/424–432; D3/201
CPC B65D 43/02; B65D 43/14; B65D 43/16;
B65D 2543/00092; B65D 2543/00296; B65D
2543/00537
See application file for complete search history.

- D699,591 S * 2/2014 Malley D9/711
- D710,213 S * 8/2014 Birchmeier D9/711
- 8,866,056 B2 * 10/2014 Shapiro B65D 1/34
219/735
- D731,883 S * 6/2015 Davidson D9/415
- D742,759 S * 11/2015 Ryan D9/702
- D743,253 S * 11/2015 Kui D9/429

* cited by examiner

Primary Examiner — George D Kirschbaum

Assistant Examiner — Clese Moore, Jr.

(74) *Attorney, Agent, or Firm* — Egbert Law Offices, PLLC

(57) **CLAIM**

The ornamental design for a package, as shown and described.

DESCRIPTION

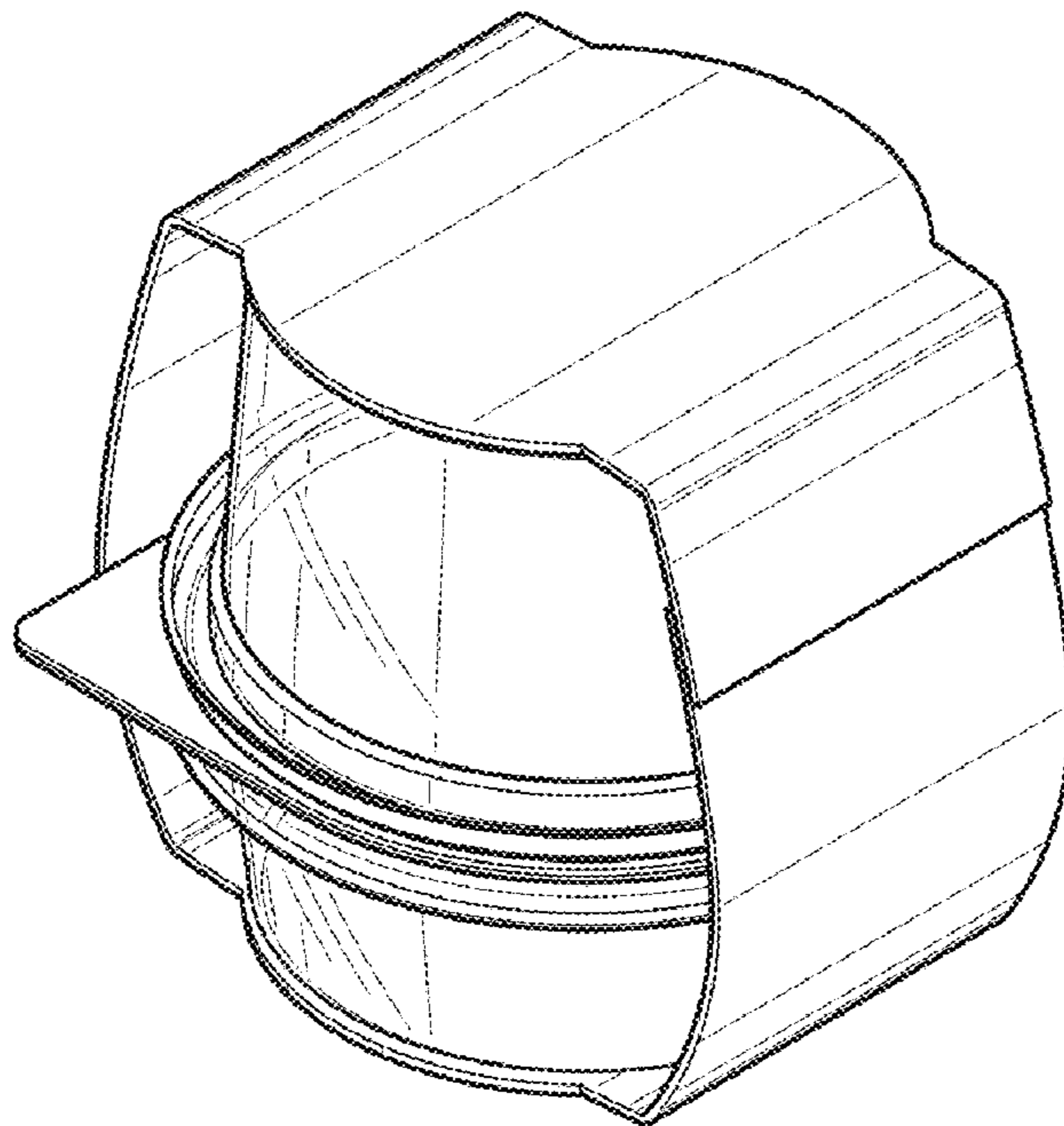
FIG. 1 is an upper perspective view of a package showing my new design.
 FIG. 2 is a front view thereof;
 FIG. 3 is a rear view thereof.
 FIG. 4 is a side view thereof;
 FIG. 5 is an opposite side view thereof;
 FIG. 6 is a top view thereof;
 FIG. 7 is a bottom view thereof;
 FIG. 8 is a top view of the wrap component of the package, a bottom view being identical;
 FIG. 9 is a side view of the wrap component of the package, an opposite side view being identical;
 FIG. 10 is an exploded perspective view showing the components of the package; and,
 FIG. 11 is another exploded perspective view showing the components of the package, wherein the wrap component is in an unfolded state.

(56) **References Cited**

U.S. PATENT DOCUMENTS

- D241,399 S * 9/1976 Christian D7/540
- D445,311 S * 7/2001 Emonet D7/629
- D577,295 S * 9/2008 Miller D9/711
- D639,186 S * 6/2011 Shapiro D9/711
- D641,256 S * 7/2011 Fisher D9/425
- D665,271 S * 8/2012 Halty D9/711
- D668,965 S * 10/2012 Crawford D9/711
- D693,242 S * 11/2013 Birchmeier D9/711

1 Claim, 4 Drawing Sheets



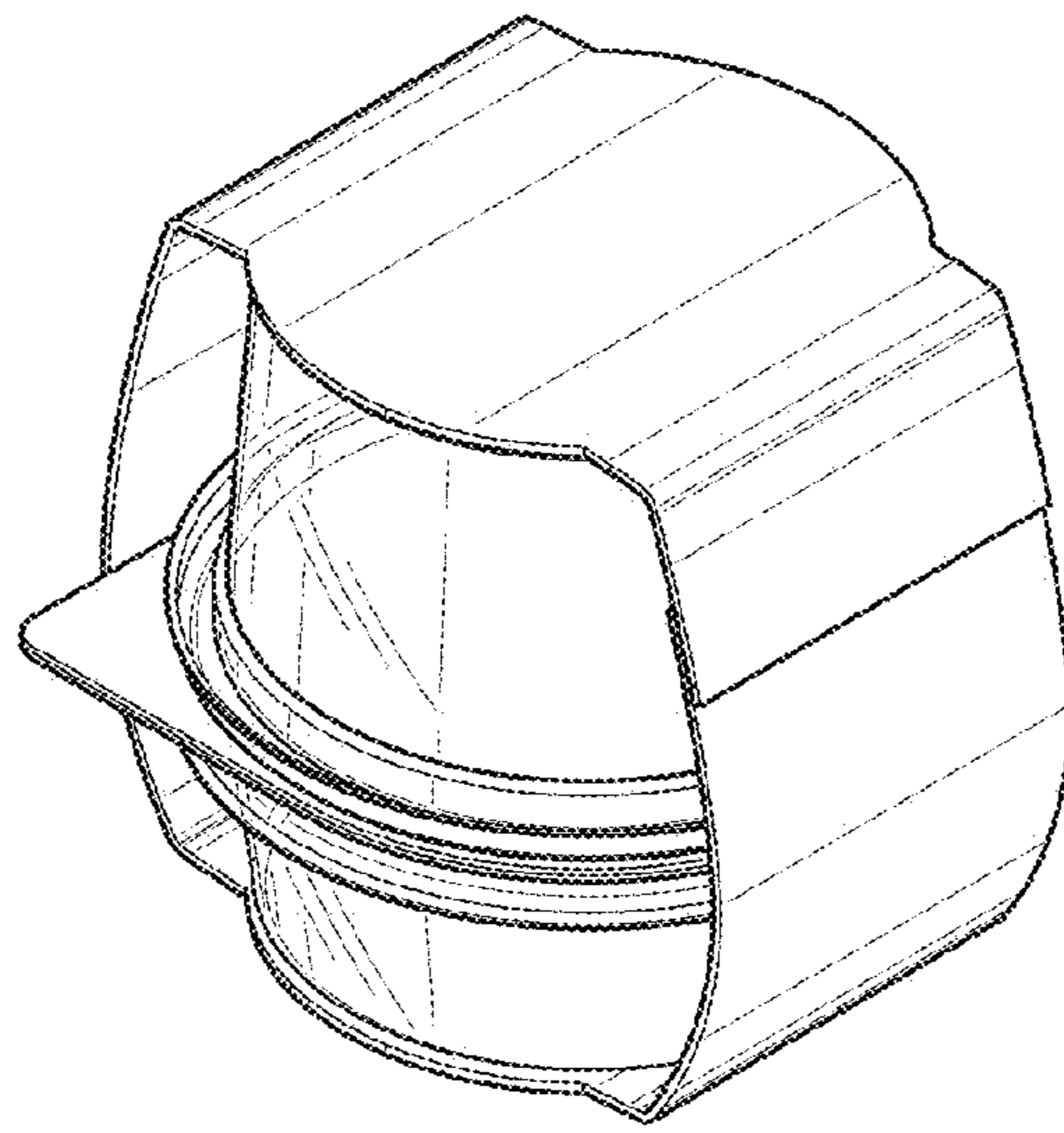


FIG. 1

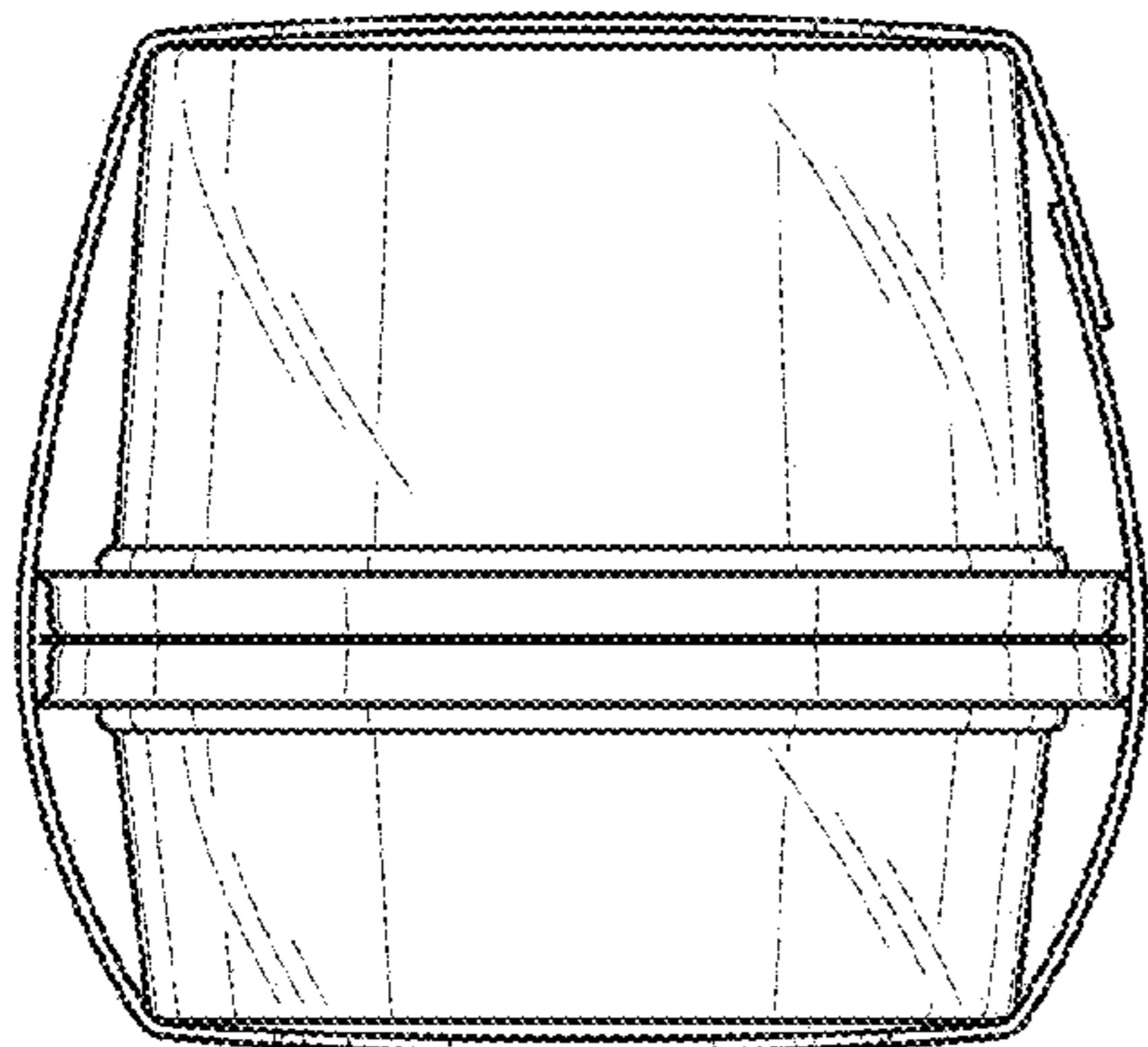


FIG. 2

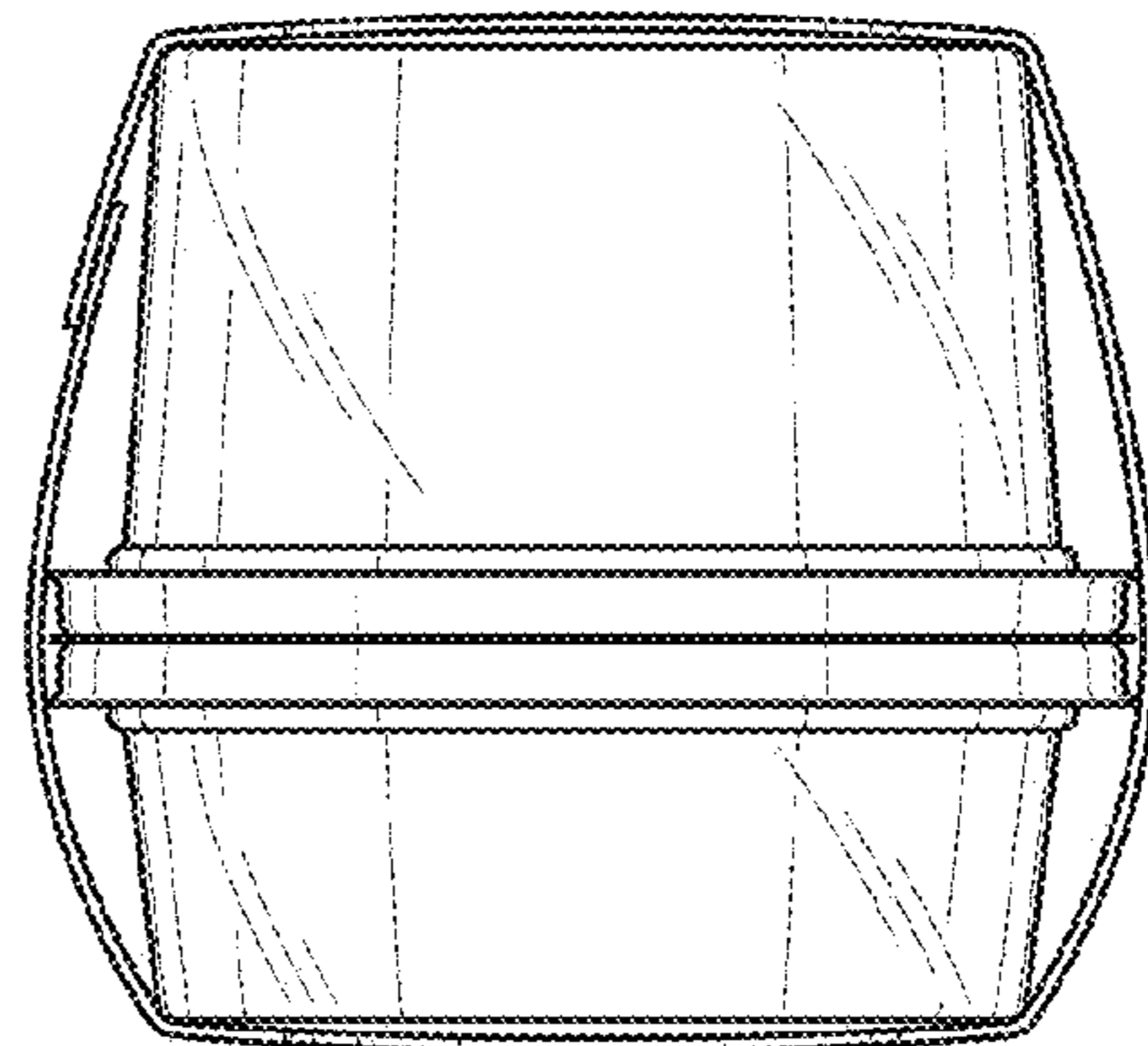


FIG. 3

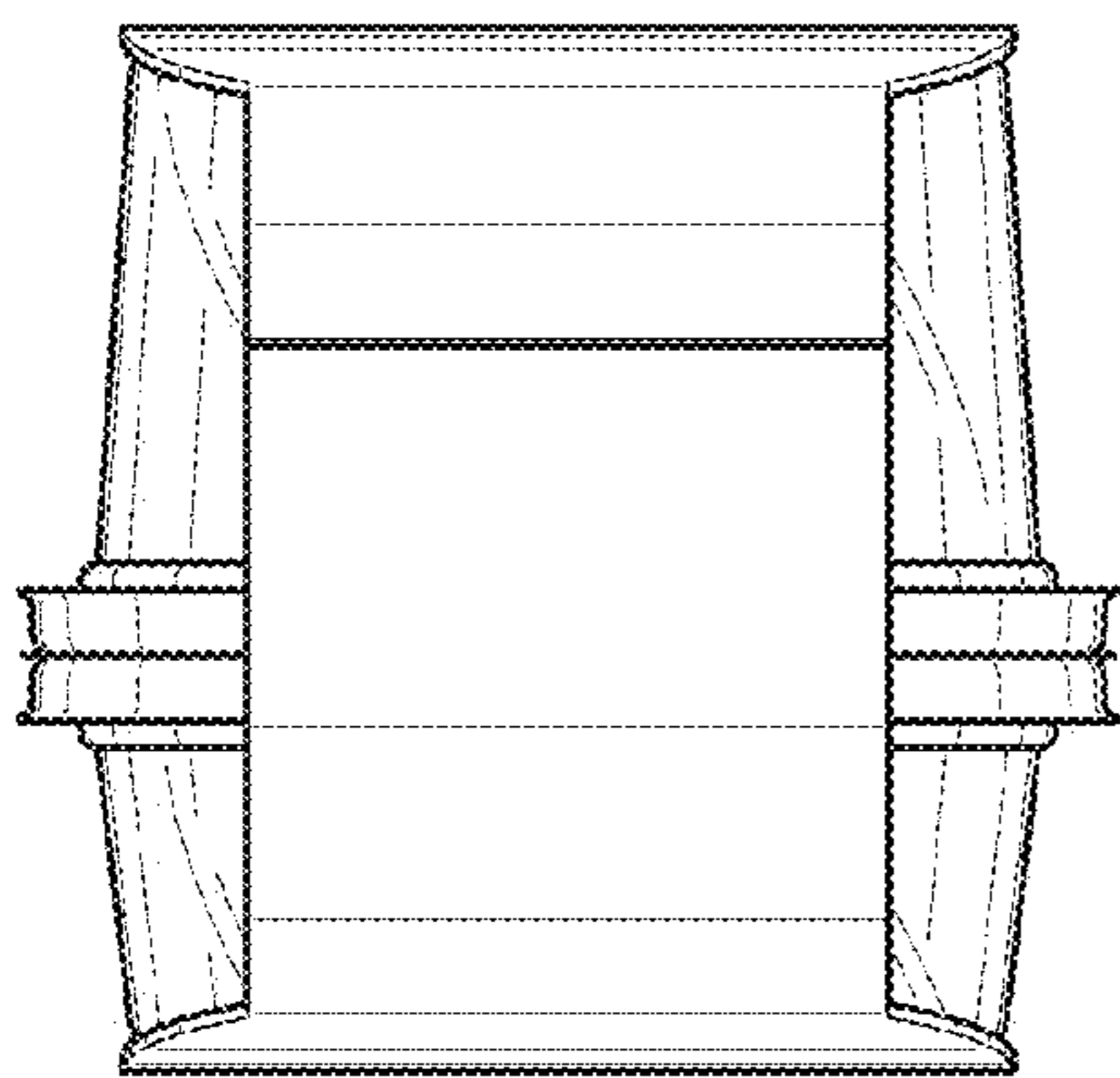


FIG. 4

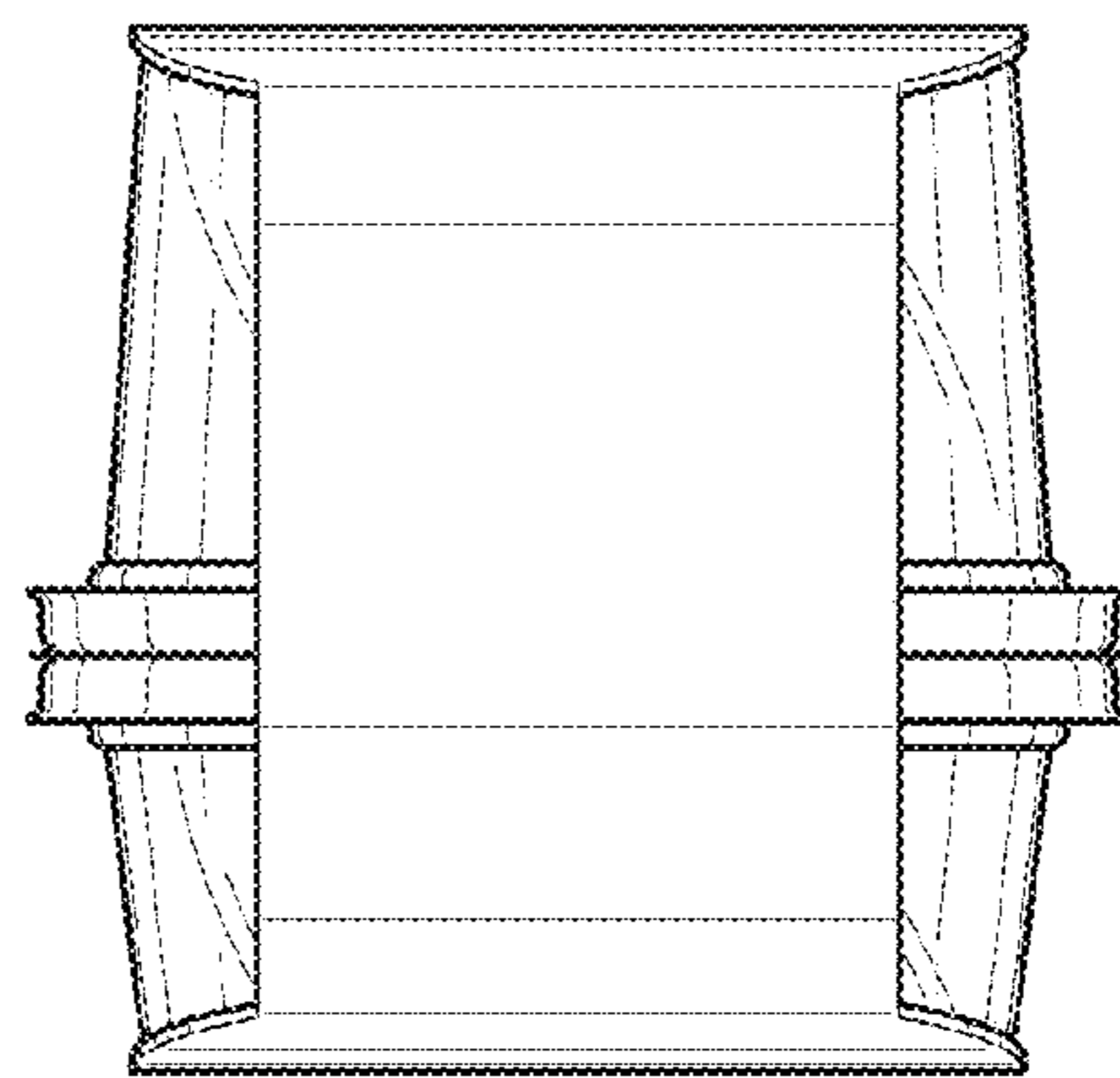


FIG. 5

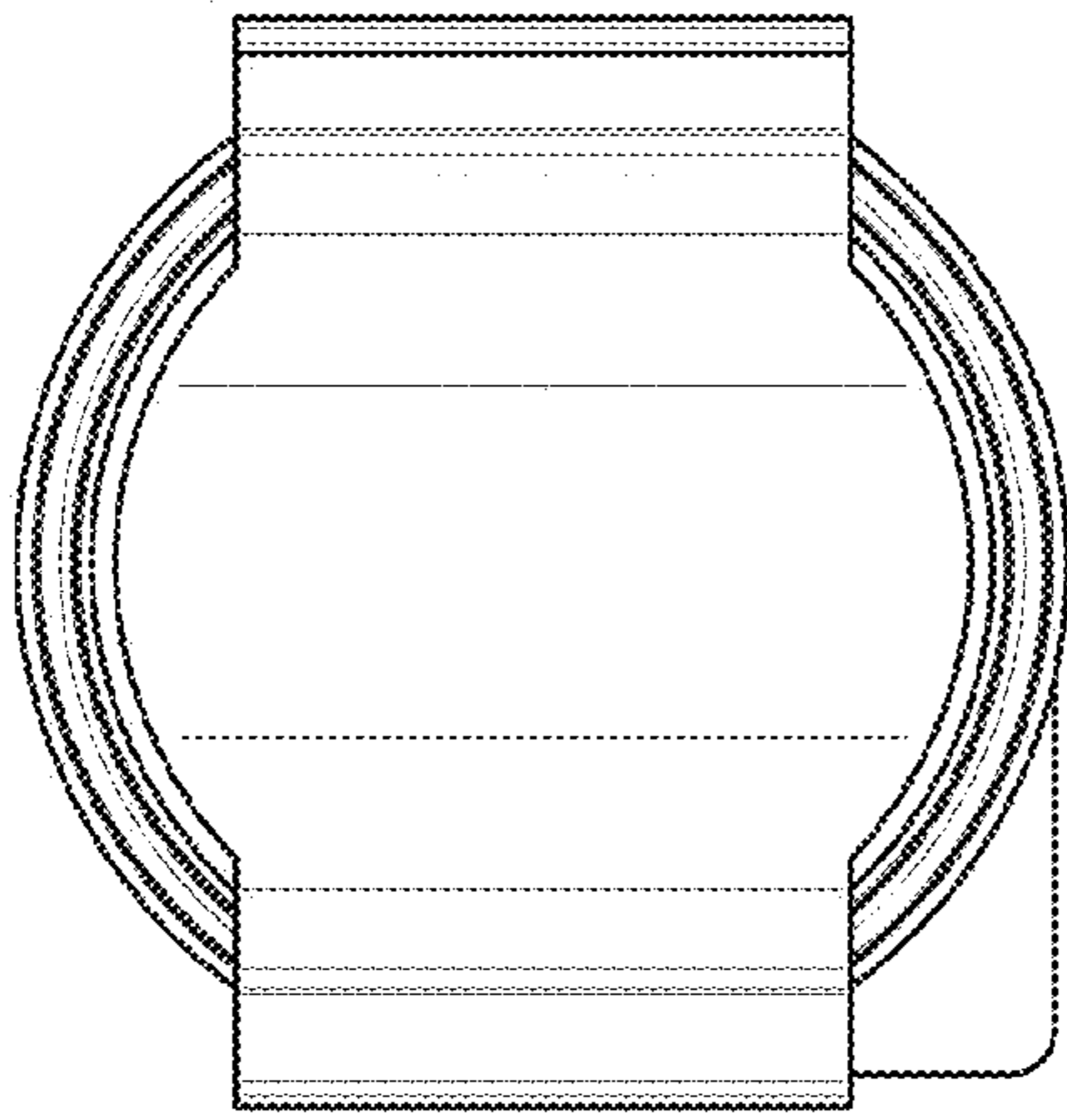


FIG. 6

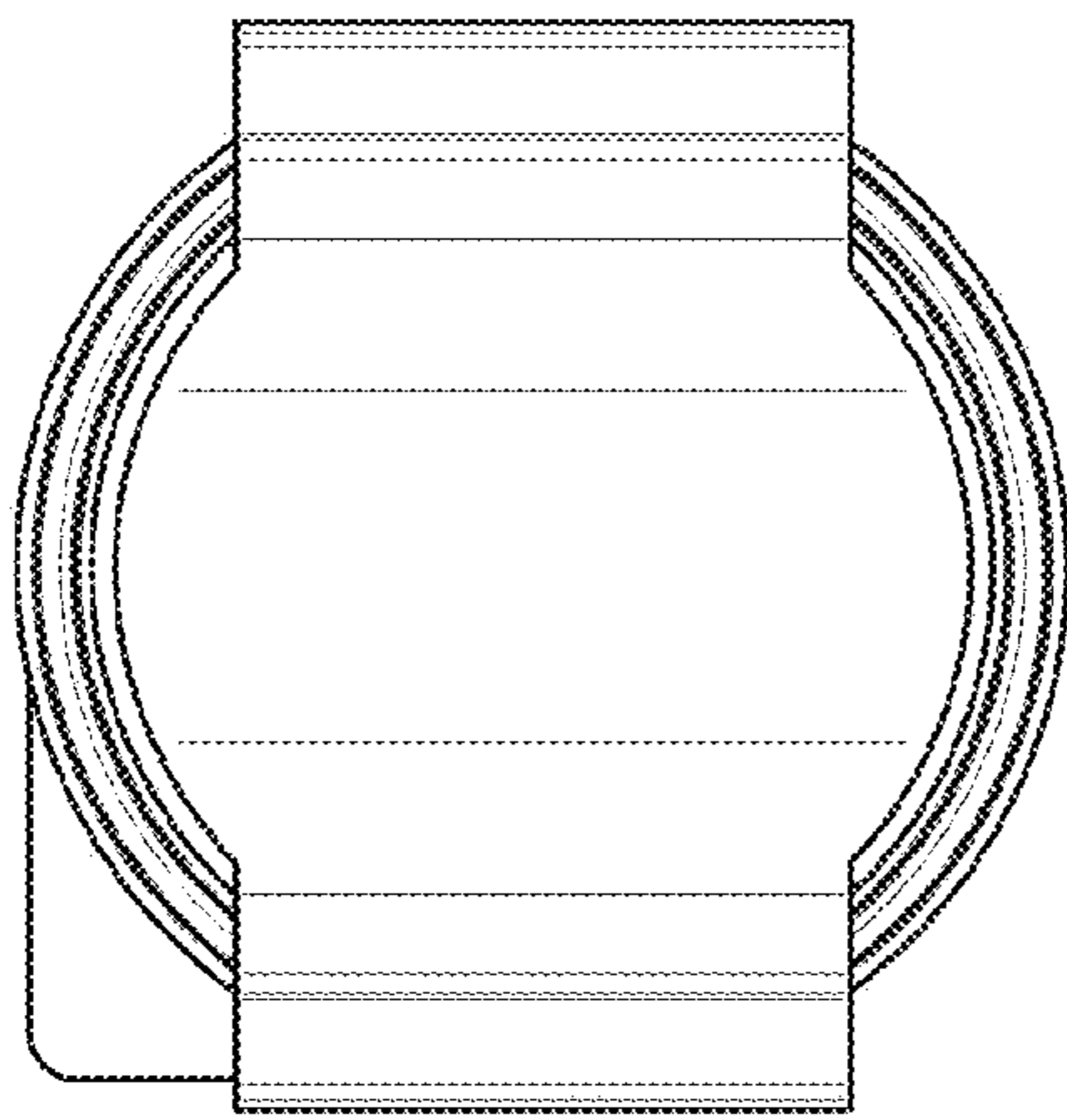


FIG. 7

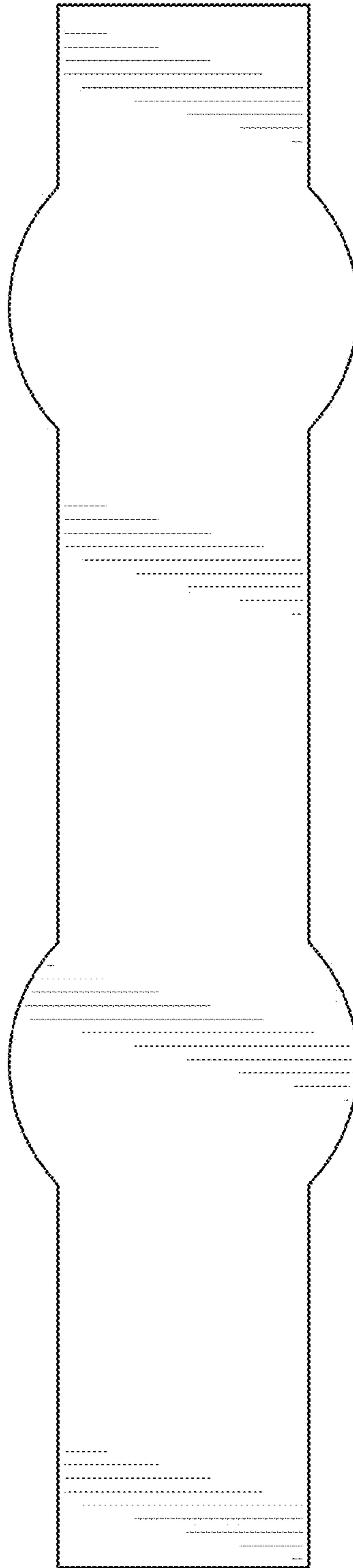


FIG. 8



FIG. 9

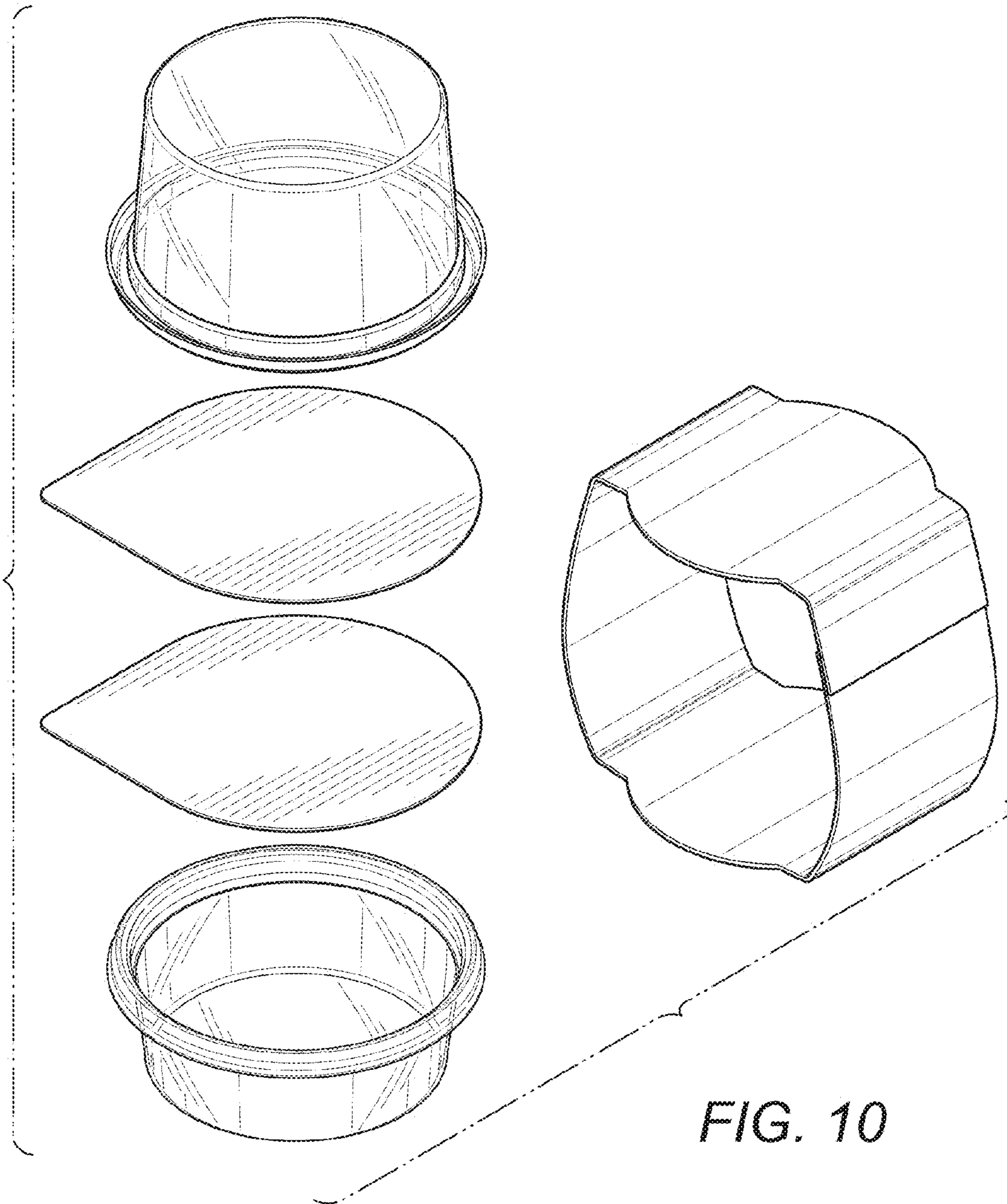


FIG. 10

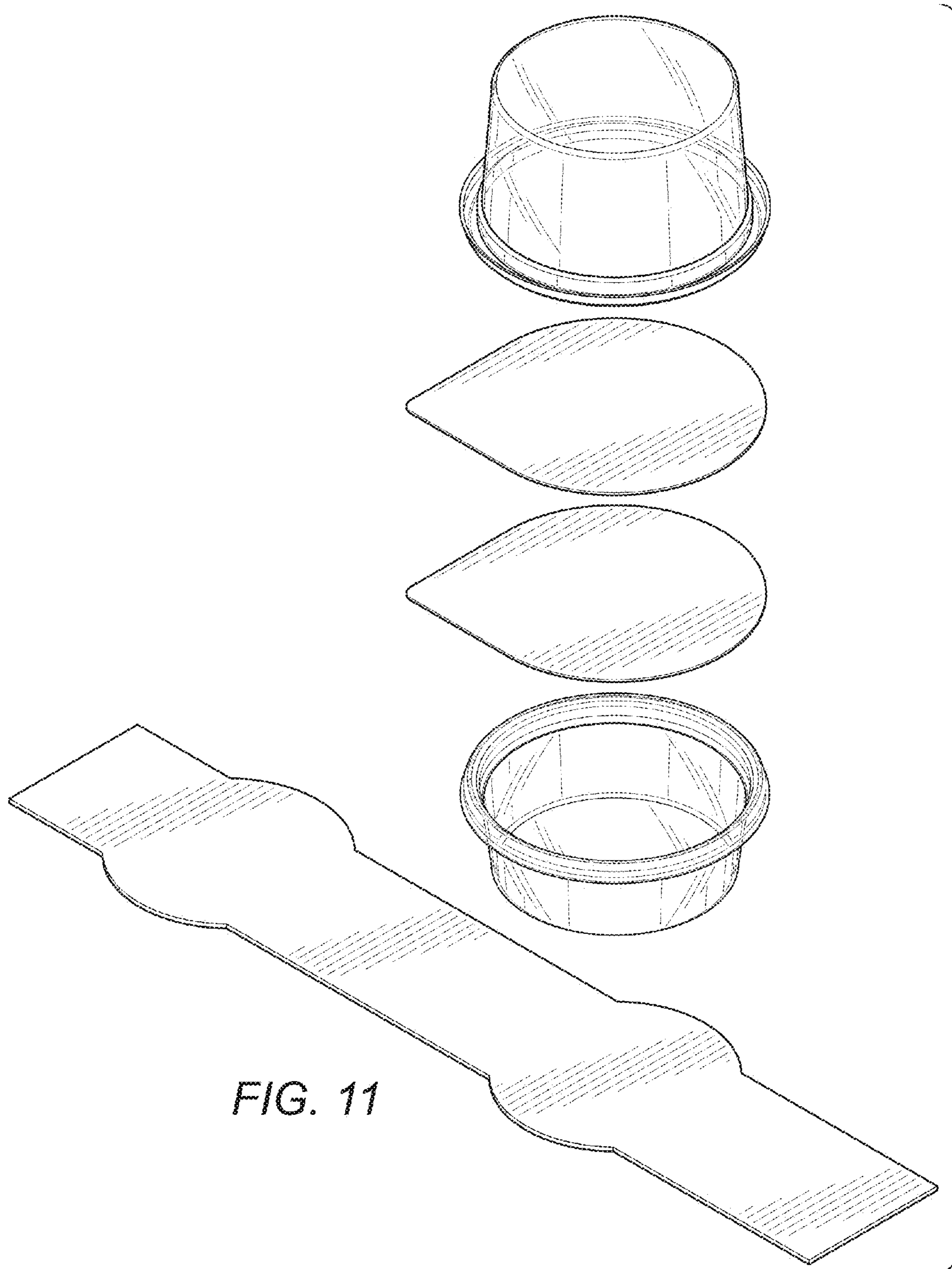


FIG. 11