



US00D760035S

(12) **United States Design Patent**
Kim

(10) **Patent No.:** **US D760,035 S**
(45) **Date of Patent:** **** Jun. 28, 2016**

(54) **FOOD STORAGE CONTAINER**

(71) Applicant: **Dong-myung Kim**, Gunpo-si (KR)

(72) Inventor: **Dong-myung Kim**, Gunpo-si (KR)

(**) Term: **14 Years**

(21) Appl. No.: **29/460,096**

(22) Filed: **Jul. 8, 2013**

(30) **Foreign Application Priority Data**

Jan. 10, 2013 (KR) 30-2013-0001651

(51) **LOC (10) Cl.** **07-01**

(52) **U.S. Cl.**
USPC **D7/629**

(58) **Field of Classification Search**

USPC D7/629, 550.1, 551.1, 552.1, 552.2,
D7/553.1, 553.2, 553.3, 553.4, 553.5,
D7/553.7, 554.2, 555, 556, 601, 602, 603,
D7/604, 605, 606, 612, 613, 701, 705, 706,
D7/708, 323, 324, 326, 331, 332, 337, 339,
D7/340, 341, 346, 347, 350.1, 350.3, 352,
D7/354, 355, 356, 357, 360, 362, 363, 364,
D7/365, 366, 367, 672, 630, 538-542, 584,
D7/586, 587, 392.1, 709; D3/273, 201,
D3/206, 276, 283, 284, 302; D9/500, 501,
D9/414, 432
CPC A47J 36/24; A47J 36/26; A47J 36/2405;
A47J 36/00; A47J 36/12; A47J 39/00; A47J
39/02; A47J 27/004; A47J 27/18; A47J 27/14;
A47J 27/06; F24C 7/006; B65D 7/00; B65D
7/02; B65D 7/12; B65D 7/42; B65D 11/00;
B65D 11/02; B65D 15/00; B65D 15/02;
B65D 15/22; B65D 15/24; B65D 15/10;
B65D 15/14; B65D 21/00; B65D 21/02;
B65D 21/08; B65D 21/0209; B65D 21/0233;
B65D 21/0234; B65D 2543/00; B65D
2543/00277; B65D 2543/00324; B65D
2543/00444; B65D 2588/00; B65D 2588/02;
B65D 2588/16; B65D 2588/74

See application file for complete search history.

(56) **References Cited**

U.S. PATENT DOCUMENTS

D168,905 S * 2/1953 O'Connell D7/355
3,179,287 A * 4/1965 Rickmeier, Jr. A47J 36/24
220/315
D213,717 S * 4/1969 Rickmeier D7/355
D246,560 S * 12/1977 Beauchamp 220/534
D272,029 S * 1/1984 Grusin D7/629
4,658,117 A * 4/1987 Sayward, Jr. A47J 27/004
126/33
4,920,873 A * 5/1990 Stevens A47J 27/14
126/246

(Continued)

Primary Examiner — Ian Simmons

Assistant Examiner — Shannon Morgan

(74) *Attorney, Agent, or Firm* — Park & Associates IP Law,
P.C.

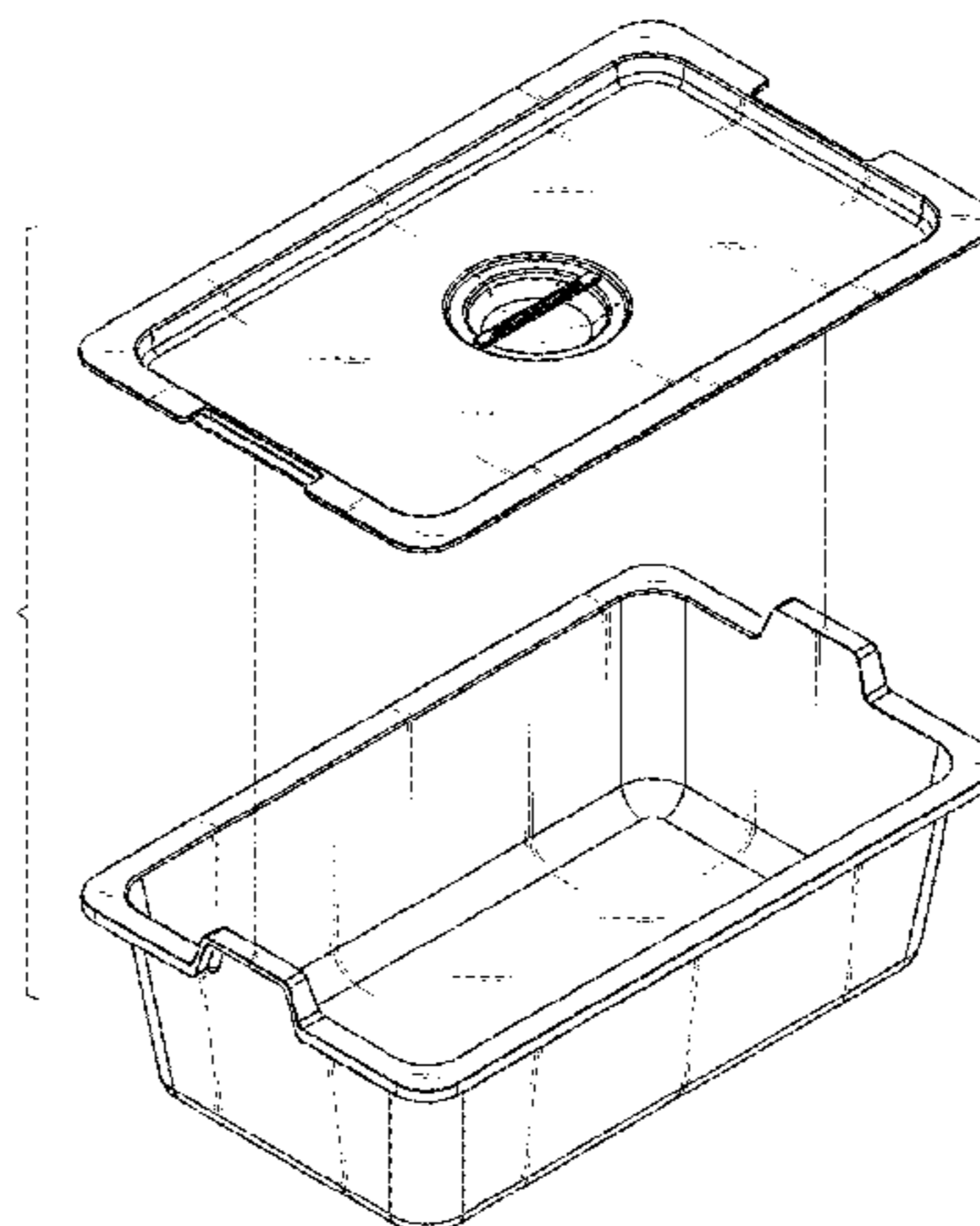
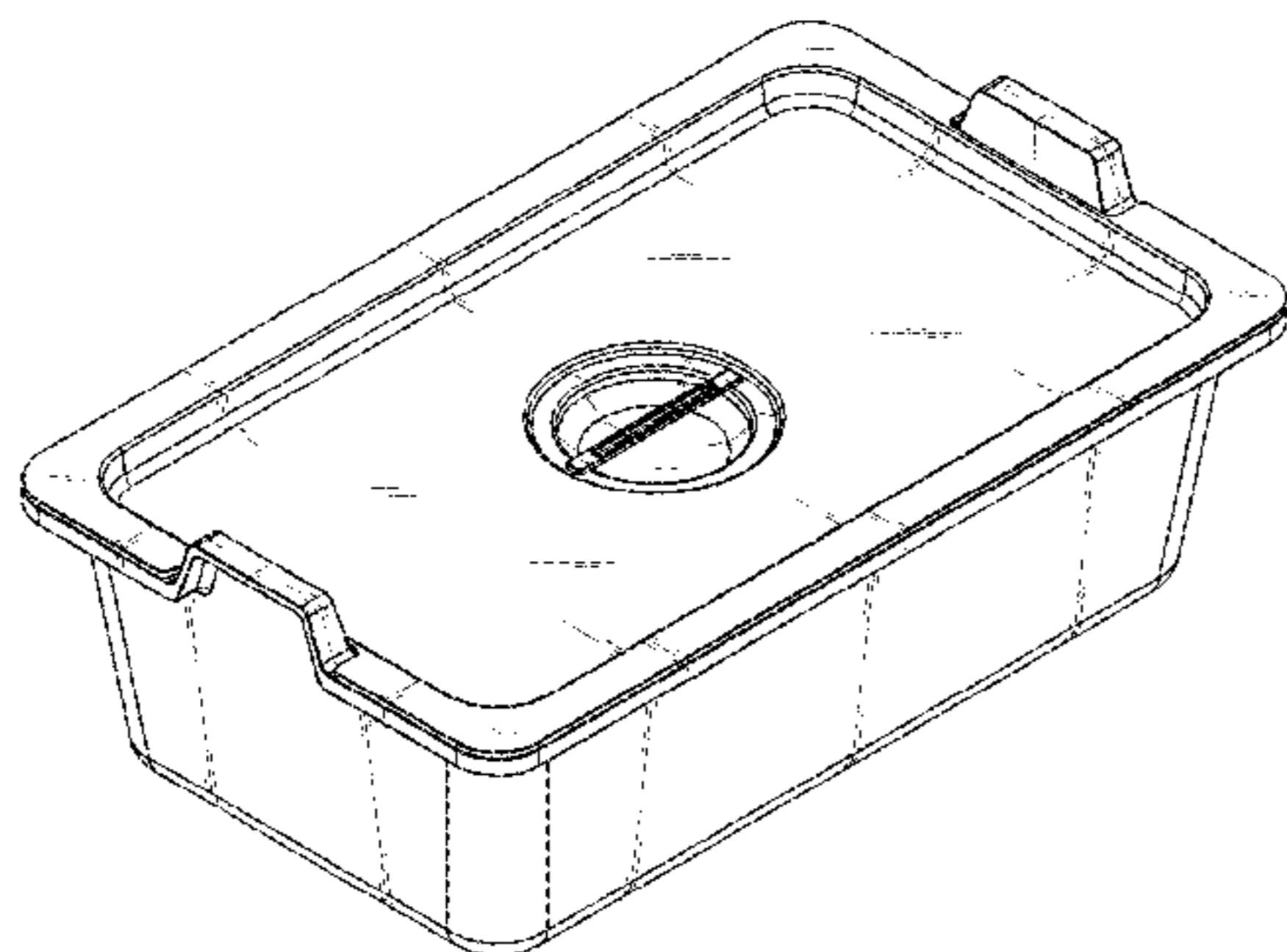
(57) **CLAIM**

The ornamental design for a food storage container, as shown
and described.

DESCRIPTION

FIG. 1 is a perspective view of a food storage container
showing my new design;
FIG. 2 is a front elevational view thereof;
FIG. 3 is a rear elevational view thereof;
FIG. 4 is a left side elevational view thereof;
FIG. 5 is a right side elevational view thereof;
FIG. 6 is a top plan view thereof;
FIG. 7 is a bottom plan view thereof;
FIG. 8 is an exploded perspective view of the food storage
container shown in FIG. 1 showing my new design; and,
FIG. 9 is another exploded perspective view of the food
storage container shown in FIG. 1 showing my new design.
The broken lines shown in the figures of the food storage
container are for the purpose of illustrating environment, and
form no part of the claimed design.

1 Claim, 5 Drawing Sheets



(56)

References Cited

U.S. PATENT DOCUMENTS

| | | | | | | | | | |
|-----------|-----|---------|-------------------|-------------------------|--------------|------|---------|-----------------|-------------------------|
| 4,976,370 | A * | 12/1990 | Cassel | B65D 1/22 220/792 | 2001/0019060 | A1 * | 9/2001 | Zank | A47J 27/12 220/573.1 |
| 5,045,672 | A * | 9/1991 | Scott | A47J 27/18 126/33 | 2003/0000396 | A1 * | 1/2003 | Leonard | A47J 36/24 99/482 |
| D348,377 | S * | 7/1994 | Douglas | D7/356 | 2003/0192525 | A1 * | 10/2003 | Ruiseco | A47J 36/24 126/33 |
| 5,453,596 | A * | 9/1995 | Verveniotis | H05B 3/82 219/433 | 2006/0016822 | A1 * | 1/2006 | Chen | B65D 43/0204 220/788 |
| 5,977,521 | A * | 11/1999 | Mehta | A47J 36/24 219/436 | 2007/0044667 | A1 * | 3/2007 | Steinmetz | A47J 36/24 99/483 |
| 5,992,406 | A * | 11/1999 | Lelle | A47J 36/26 126/33 | 2007/0062926 | A1 * | 3/2007 | Lee | A47J 36/2405 219/400 |
| 6,056,138 | A * | 5/2000 | Chen | B65D 43/0212 206/505 | 2008/0169294 | A1 * | 7/2008 | Liebzeit | A47J 27/16 220/573.1 |
| D466,808 | S * | 12/2002 | Liu | D9/425 | 2010/0293979 | A1 * | 11/2010 | Shei | A47J 36/2483 62/258 |
| D468,580 | S * | 1/2003 | Ruiseco | D7/355 | 2011/0017079 | A1 * | 1/2011 | Wall | A47J 36/26 99/449 |
| D468,637 | S * | 1/2003 | Chou | D9/425 | 2012/0217253 | A1 * | 8/2012 | Plott | A47G 19/027 220/574 |
| D528,376 | S * | 9/2006 | Munson | D7/356 | 2013/0186903 | A1 * | 7/2013 | Leonard | A47J 27/002 220/574 |
| D529,755 | S * | 10/2006 | Lobman | D7/354 | 2015/0108286 | A1 * | 4/2015 | Barnes | A47J 43/287 248/37.6 |
| D590,655 | S * | 4/2009 | Freeman | D7/354 | | | | | |
| D606,812 | S * | 12/2009 | Wu | D7/629 | | | | | |
| D614,950 | S * | 5/2010 | Colacitti | D7/354 | | | | | |
| D664,427 | S * | 7/2012 | Chen | D9/425 | | | | | |

* cited by examiner

FIG. 1

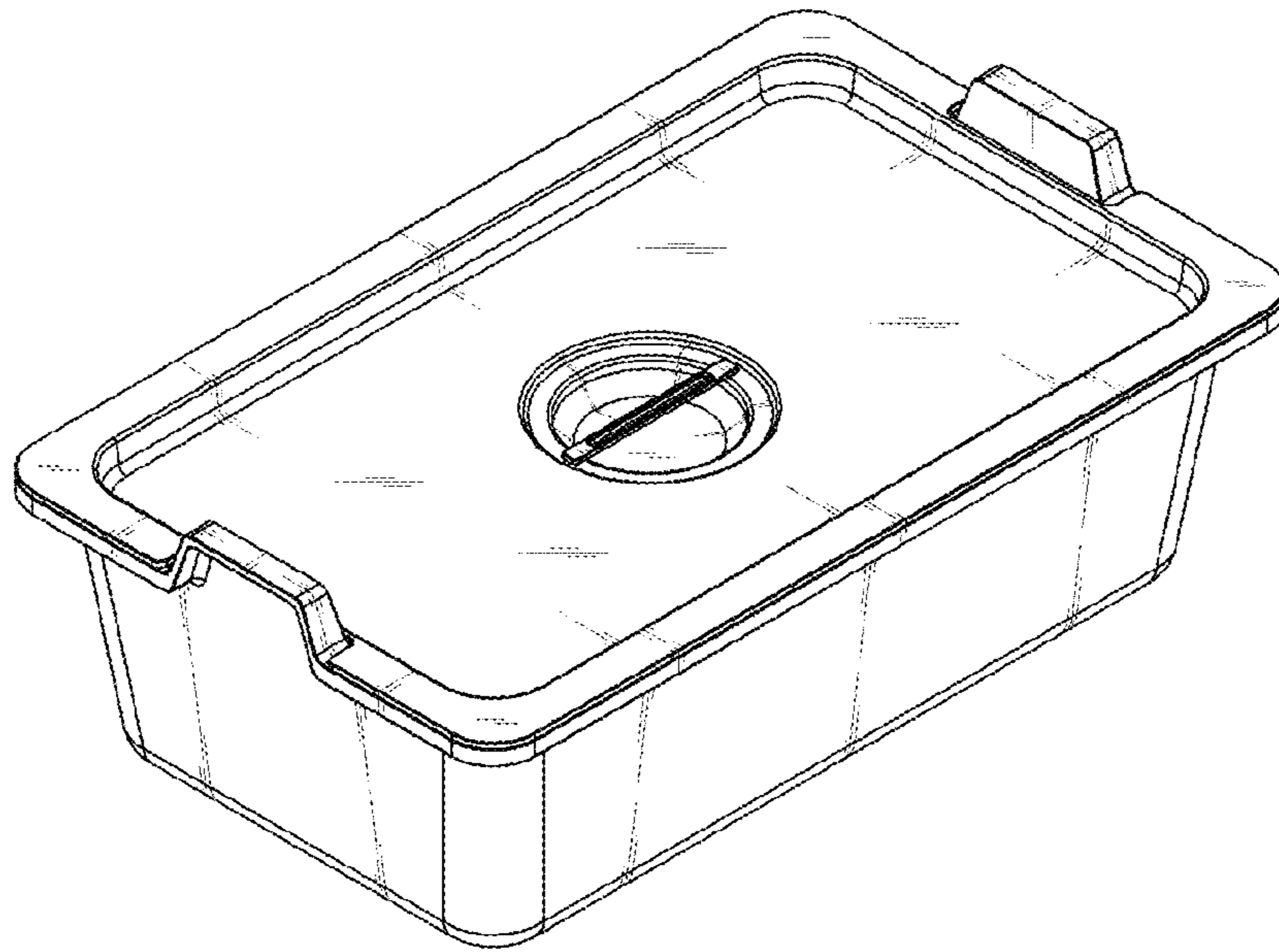


FIG. 2

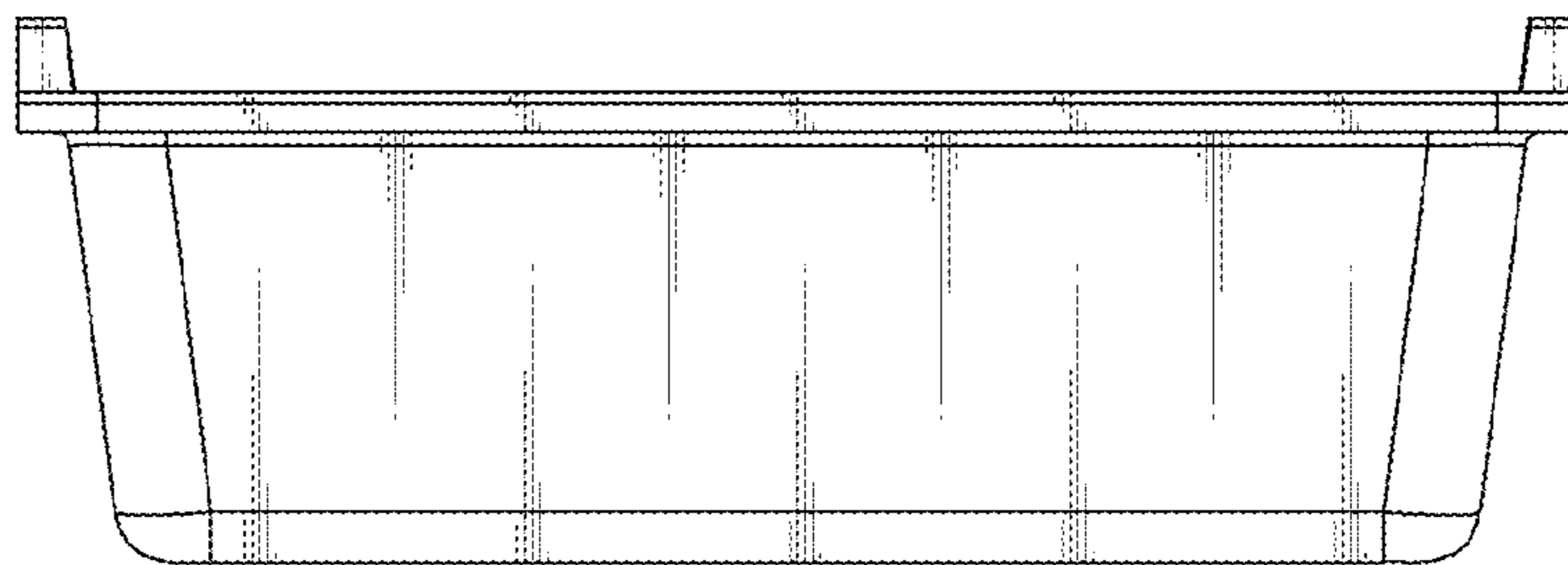


FIG. 3

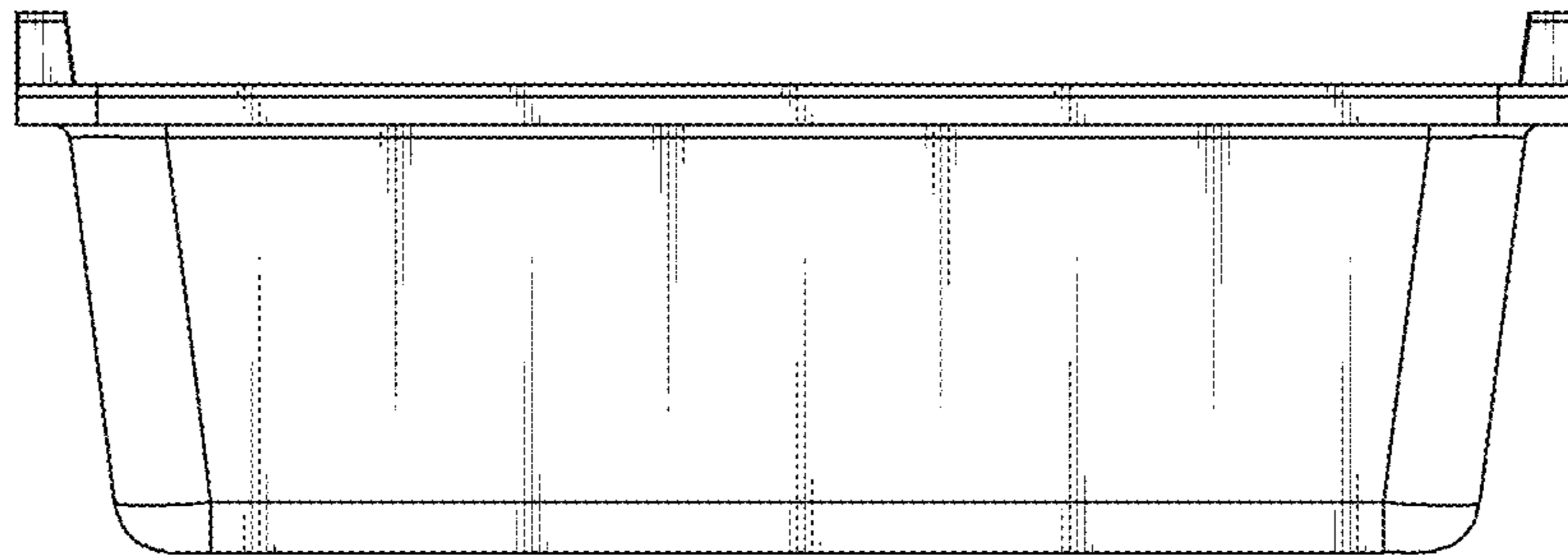


FIG. 4

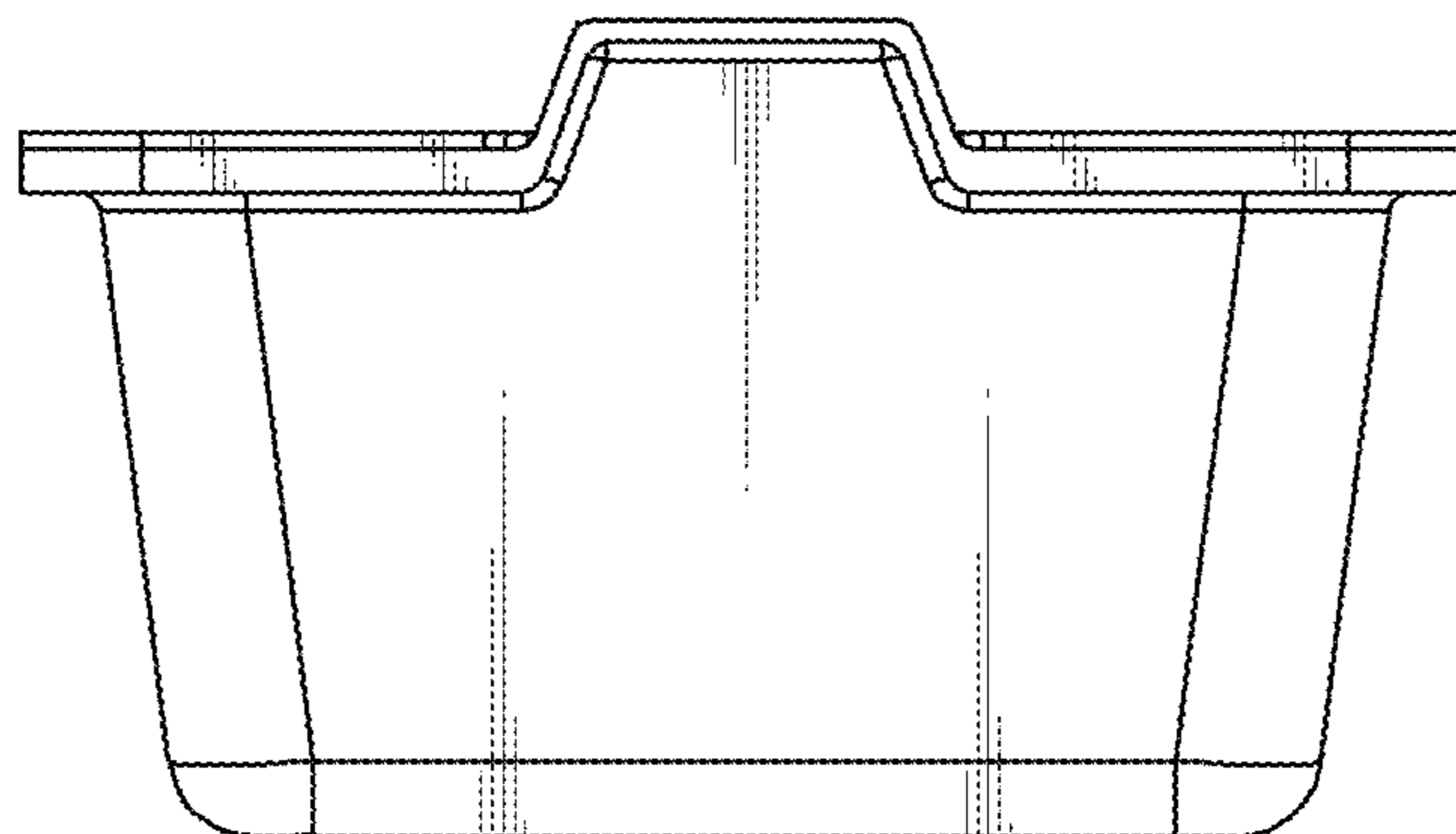


FIG. 5

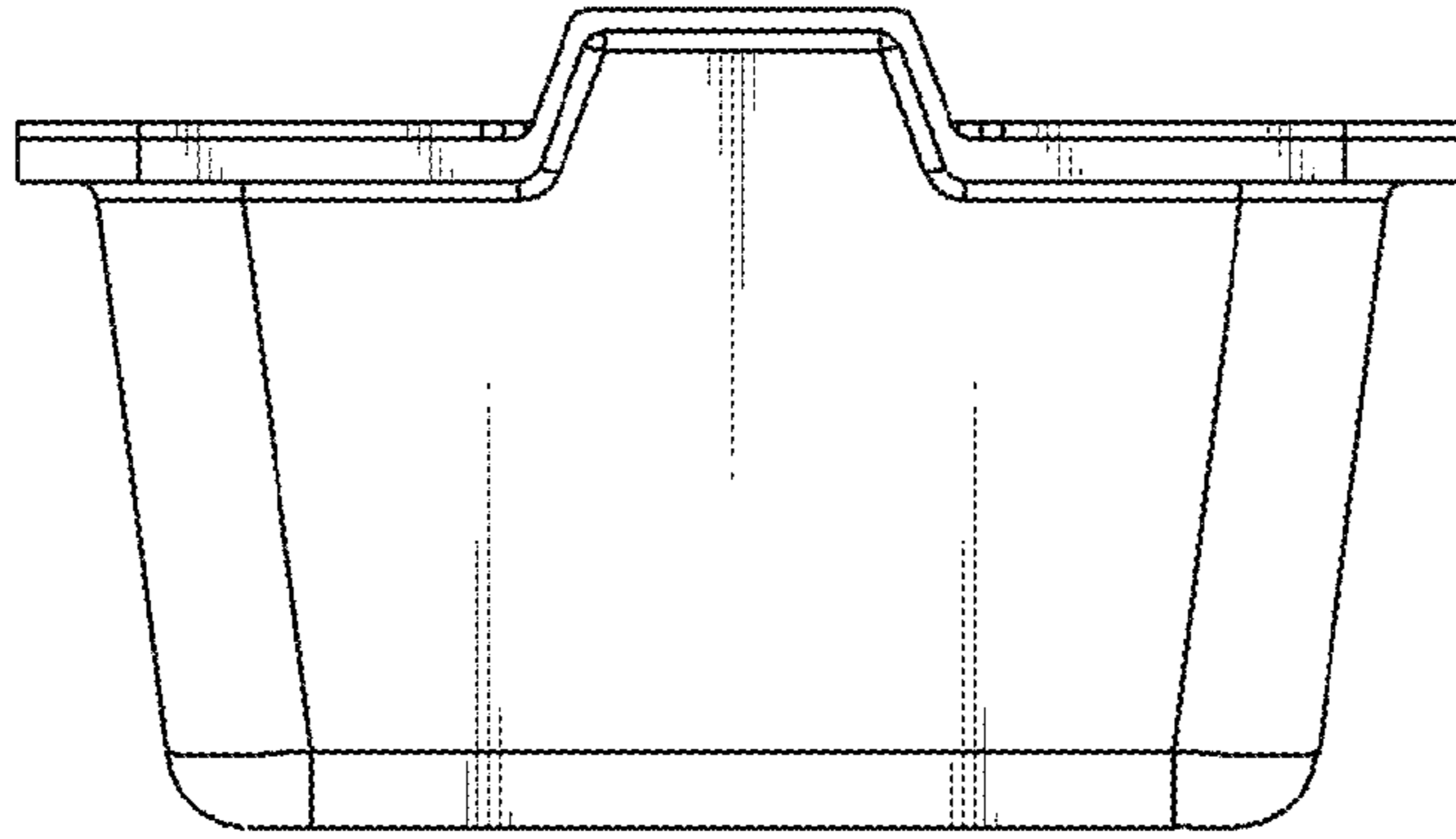


FIG. 6

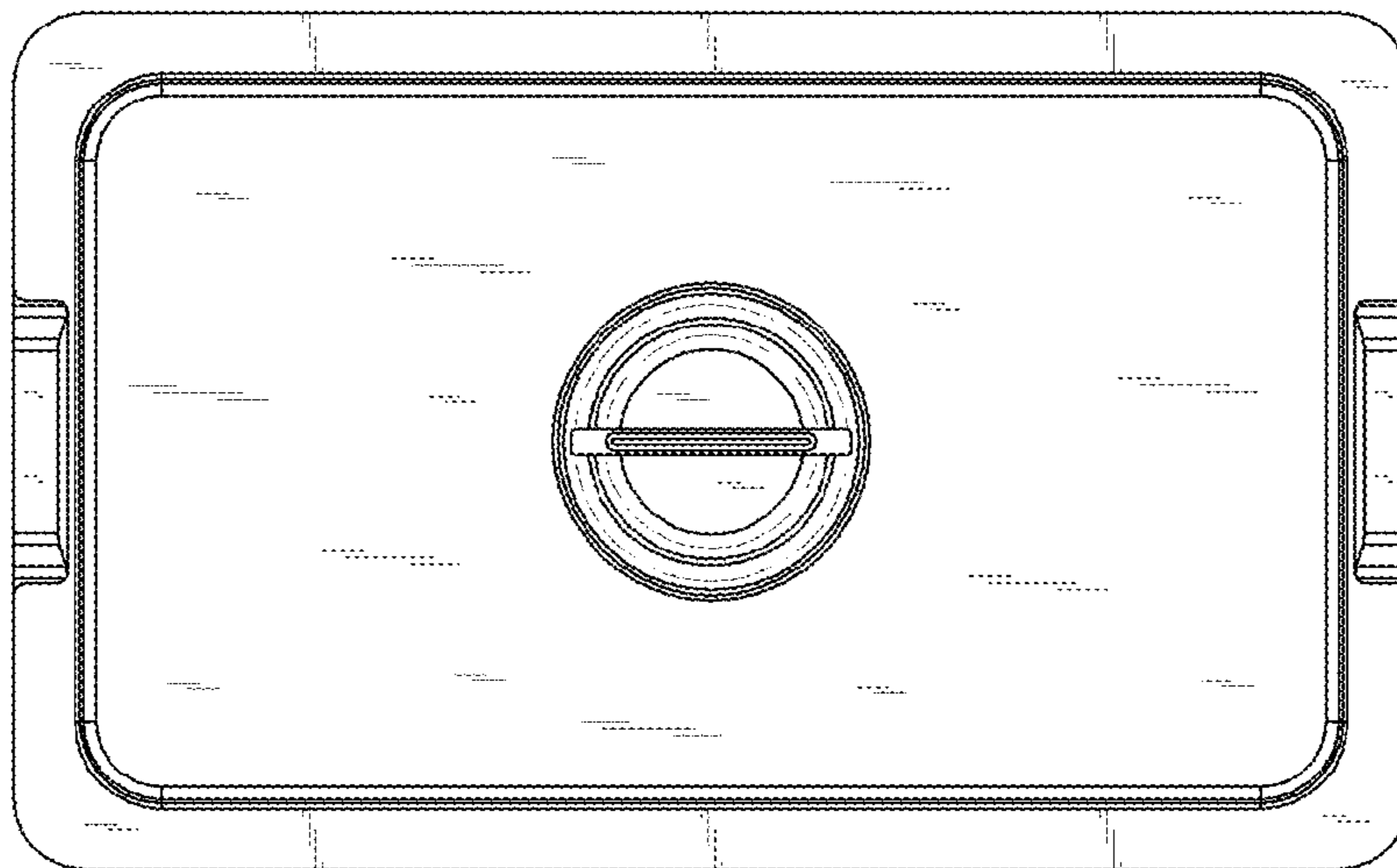


FIG. 7

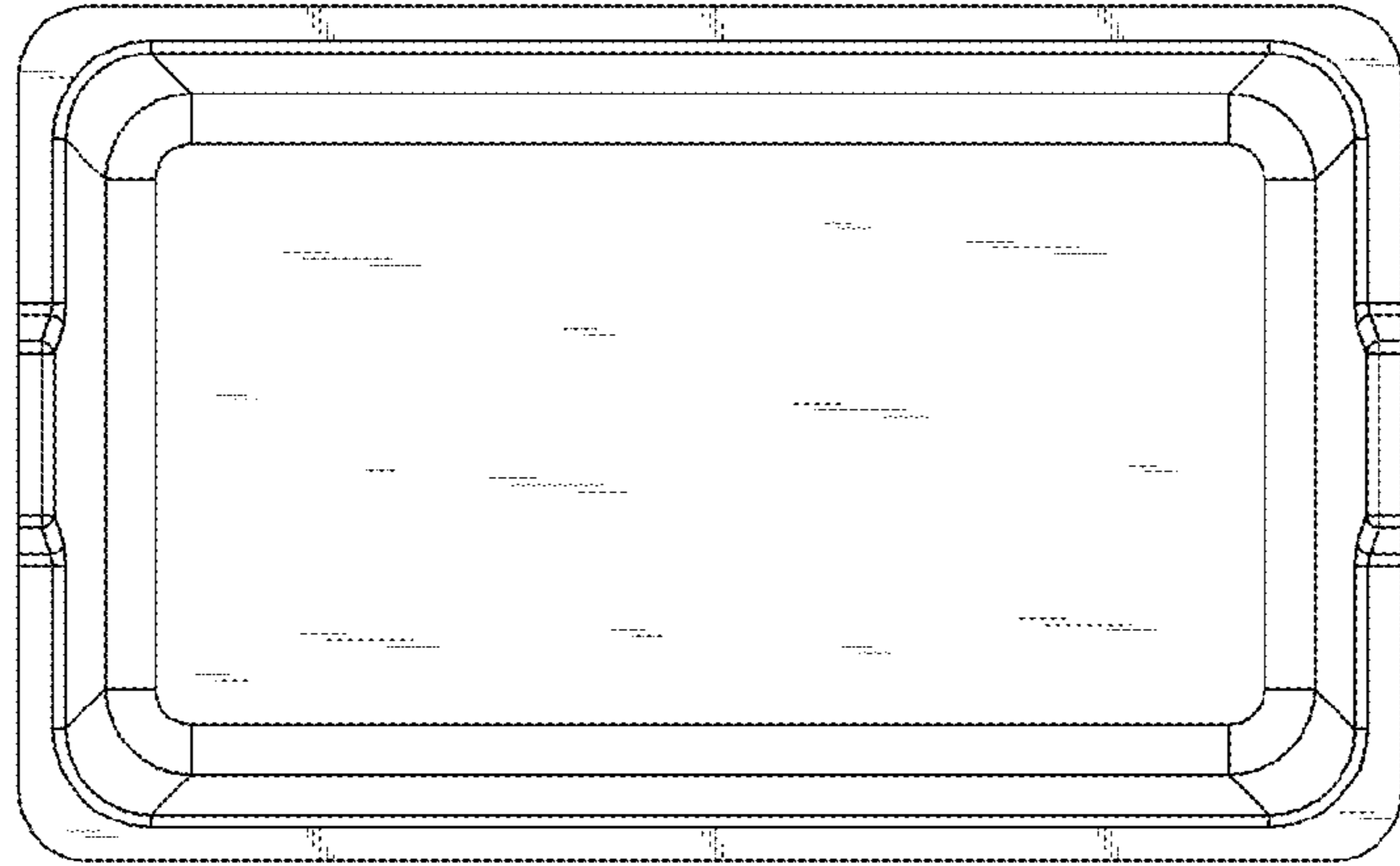


FIG. 8

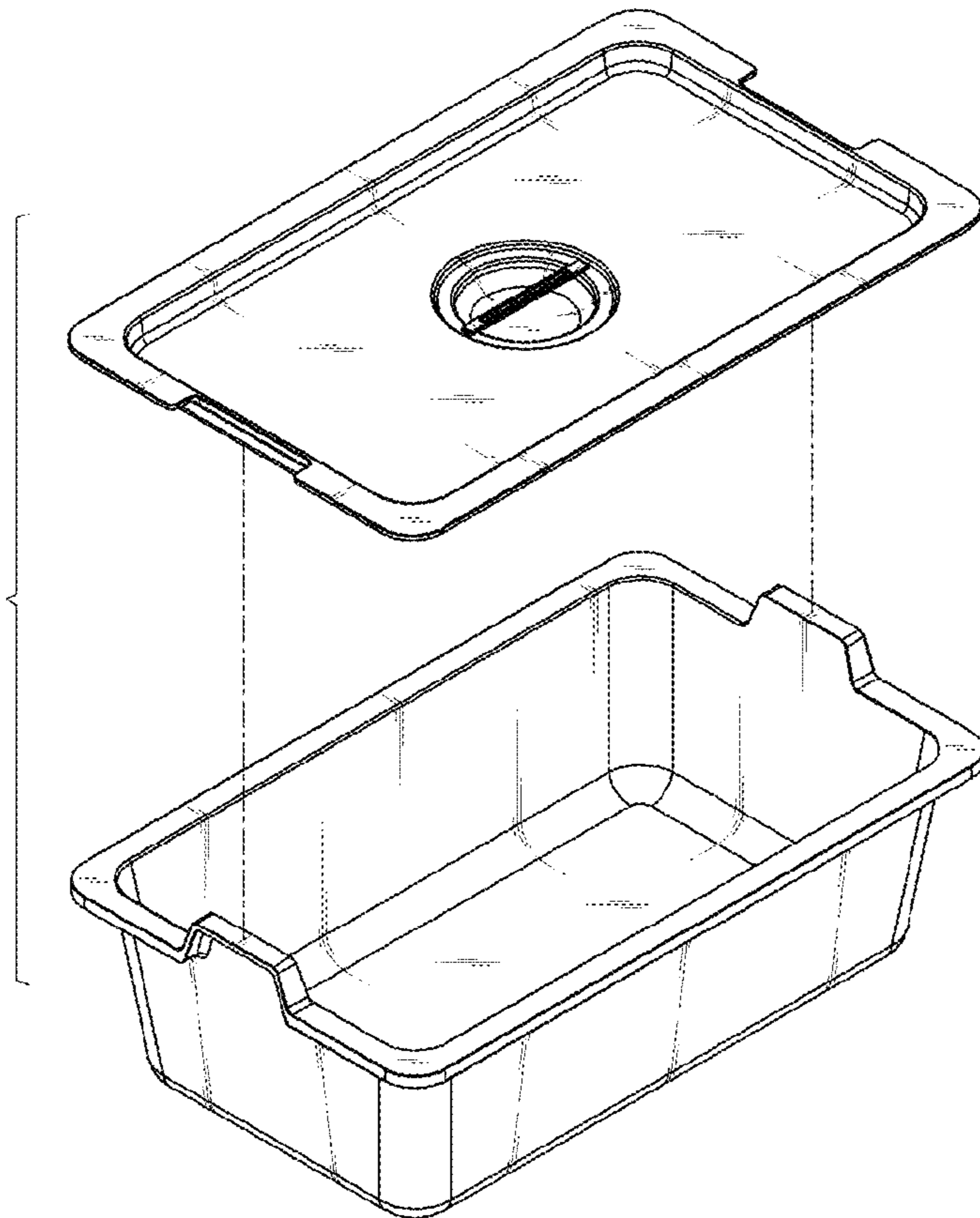


FIG. 9

