



US00D760034S

(12) **United States Design Patent**
Tang

(10) **Patent No.:** **US D760,034 S**
(45) **Date of Patent:** **** Jun. 28, 2016**

(54) **LIGHT-STORAGE CUP HOLDER**

(71) Applicant: **eMoMo Technology Co, Ltd**, Baoan,
Shenzhen (CN)

(72) Inventor: **Wenji Tang**, Shenzhen (CN)

(73) Assignee: **eMoMo Technology Co., Ltd.**,
Shenzhen (CN)

(**) Term: **14 Years**

(21) Appl. No.: **29/487,521**

(22) Filed: **Apr. 9, 2014**

(30) **Foreign Application Priority Data**

Mar. 14, 2014 (CN) 2014 3 0055181

(51) **LOC (10) Cl.** **07-06**

(52) **U.S. Cl.**
USPC **D7/624.1**

(58) **Field of Classification Search**
USPC D7/619.1-625, 606, 604; D3/271.4;
D2/866, 873, 886, 887, 888;
62/457.1-457.9, 3.2; 220/902, 903,
220/739-741, 592.2; 2/175.1-175.9;
248/311.2, 309.1
CPC A47C 7/725; A47G 23/02; B65D 81/3886;
A42B 1/02; A42B 1/004

See application file for complete search history.

(56) **References Cited**

U.S. PATENT DOCUMENTS

191,772	A *	6/1877	Nascimento	A42B 1/02 2/175.1
365,185	A *	6/1887	Kellner	A42B 1/02 2/175.2
622,040	A *	3/1899	Falkenbach	A42C 1/02 2/175.9
D48,440	S *	1/1916	Galitzki	D2/886
D373,078	S *	8/1996	Cheng	D2/869
D442,833	S *	5/2001	Shuman	D7/608
D505,300	S *	5/2005	Walsh	D7/608
D566,963	S *	4/2008	Staab	D3/271.4
7,766,293	B2 *	8/2010	Seidl	A47C 7/725 248/311.2
D643,252	S *	8/2011	Seidl	D7/619.1

* cited by examiner

Primary Examiner — Terry Wallace

(74) *Attorney, Agent, or Firm* — Bass, Berry & Sims PLC

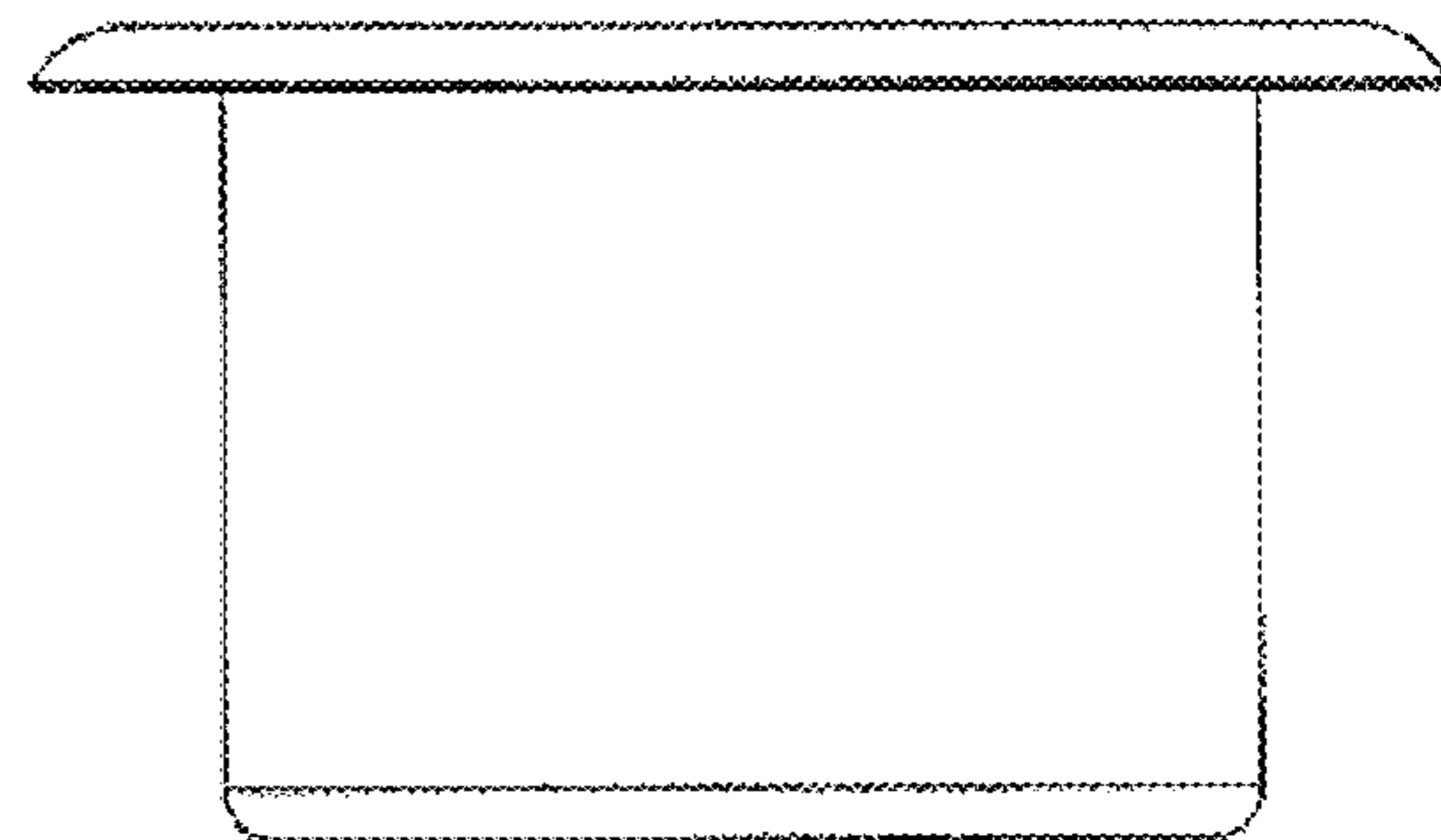
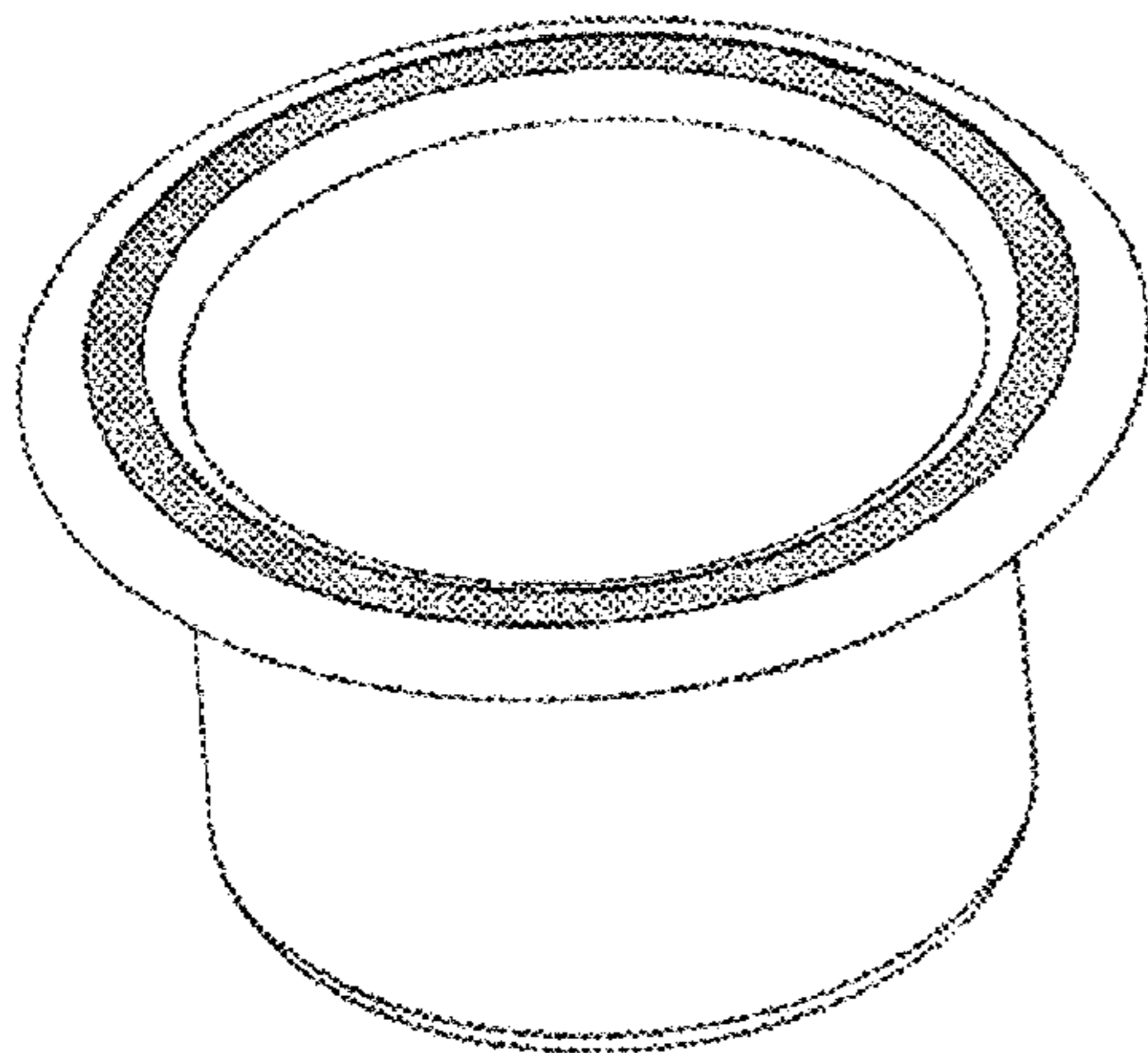
(57) **CLAIM**

The ornamental design for a light-storage cup holder, as shown and described.

DESCRIPTION

FIG. 1 is a front elevational view of an embodiment of a light-storage cup holder showing my new design with an annular luminous pattern;
FIG. 2 is a front view of the light-storage cup holder with an annular luminous pattern;
FIG. 3 is a top plan view of the light-storage cup holder with an annular luminous pattern;
FIG. 4 is a bottom perspective view of the light-storage cup holder with an annular luminous pattern; and,
FIG. 5 is a bottom plan view of the light-storage cup holder with an annular luminous pattern.

1 Claim, 1 Drawing Sheet



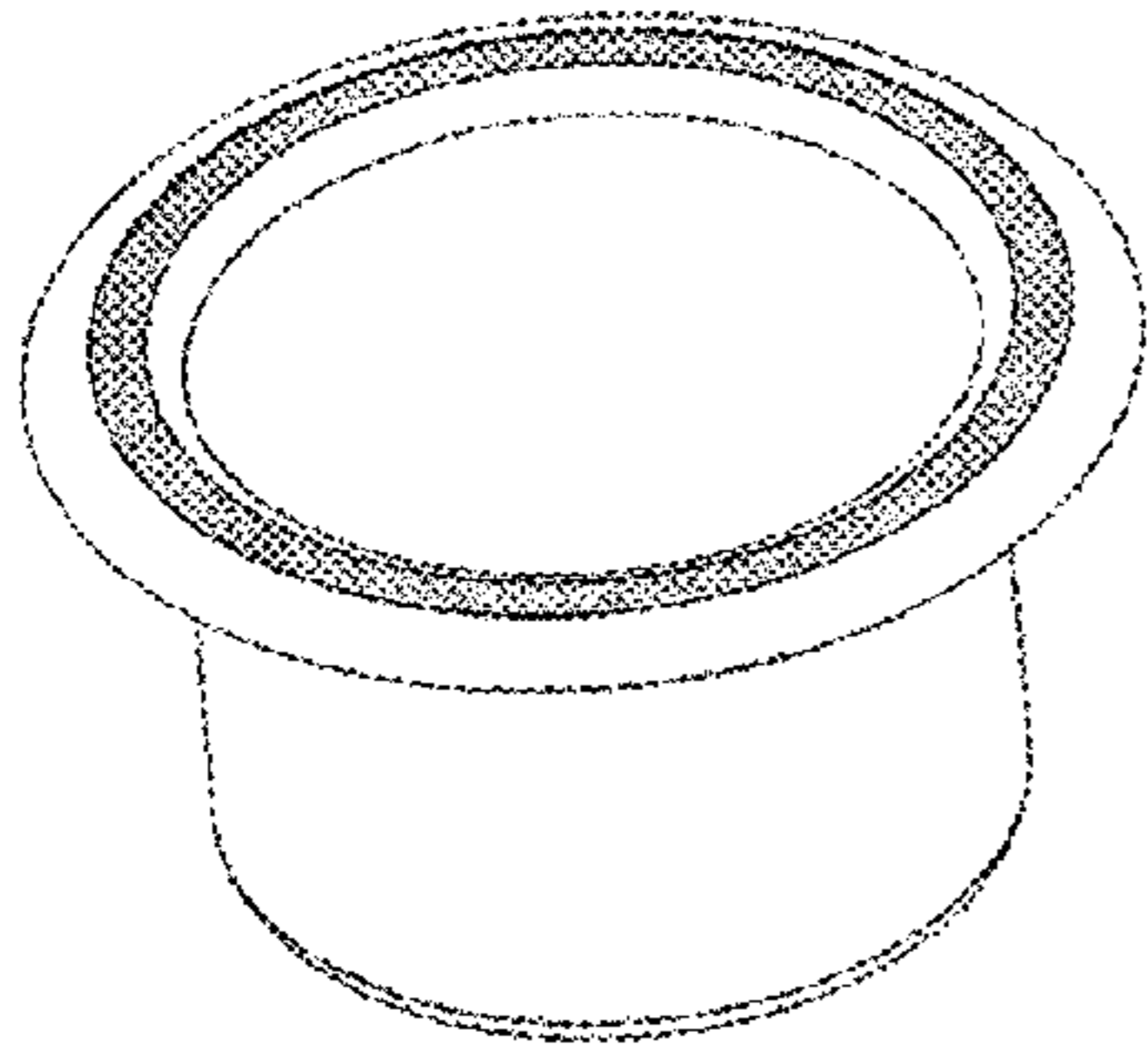


Fig. 1

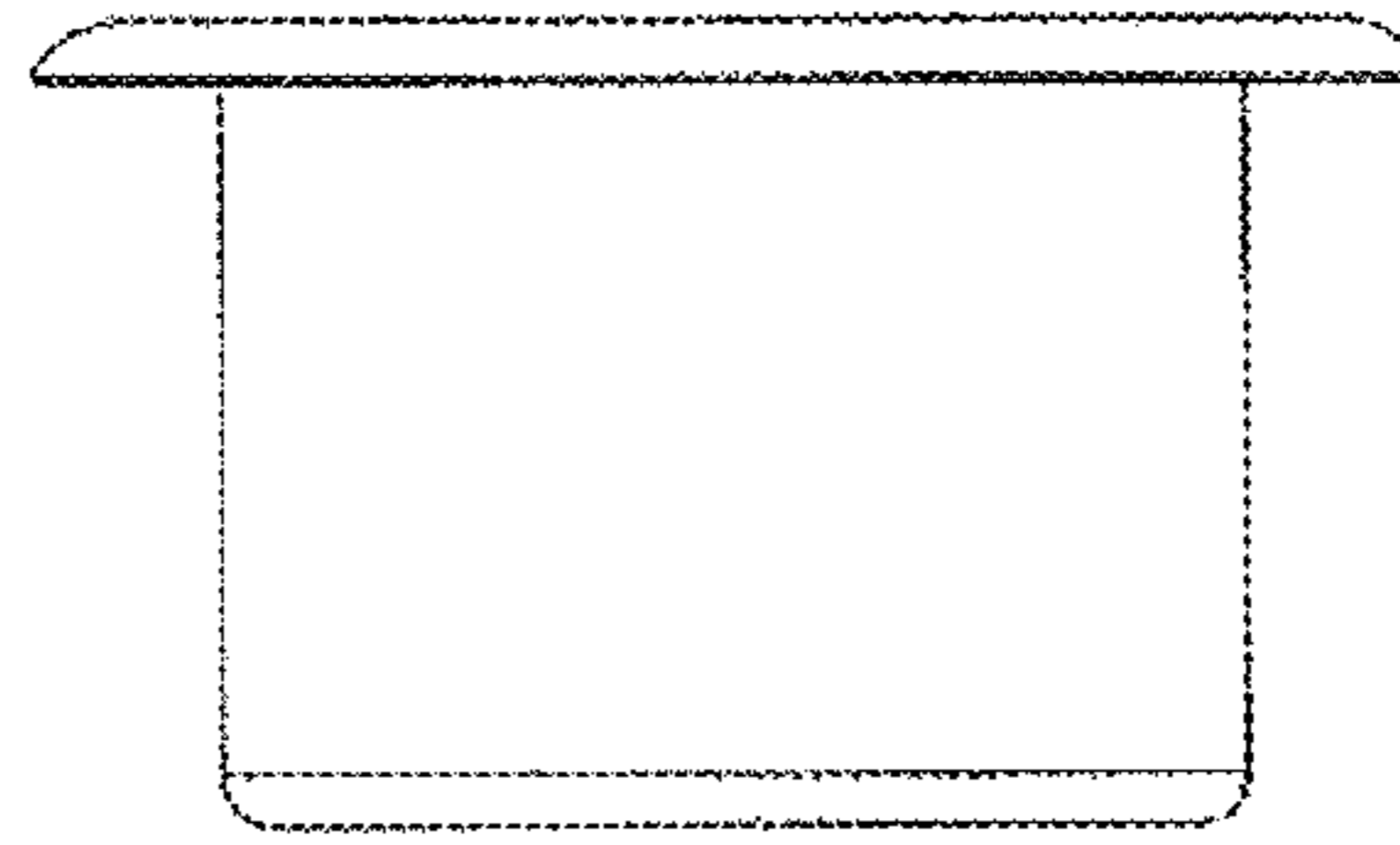


Fig. 2

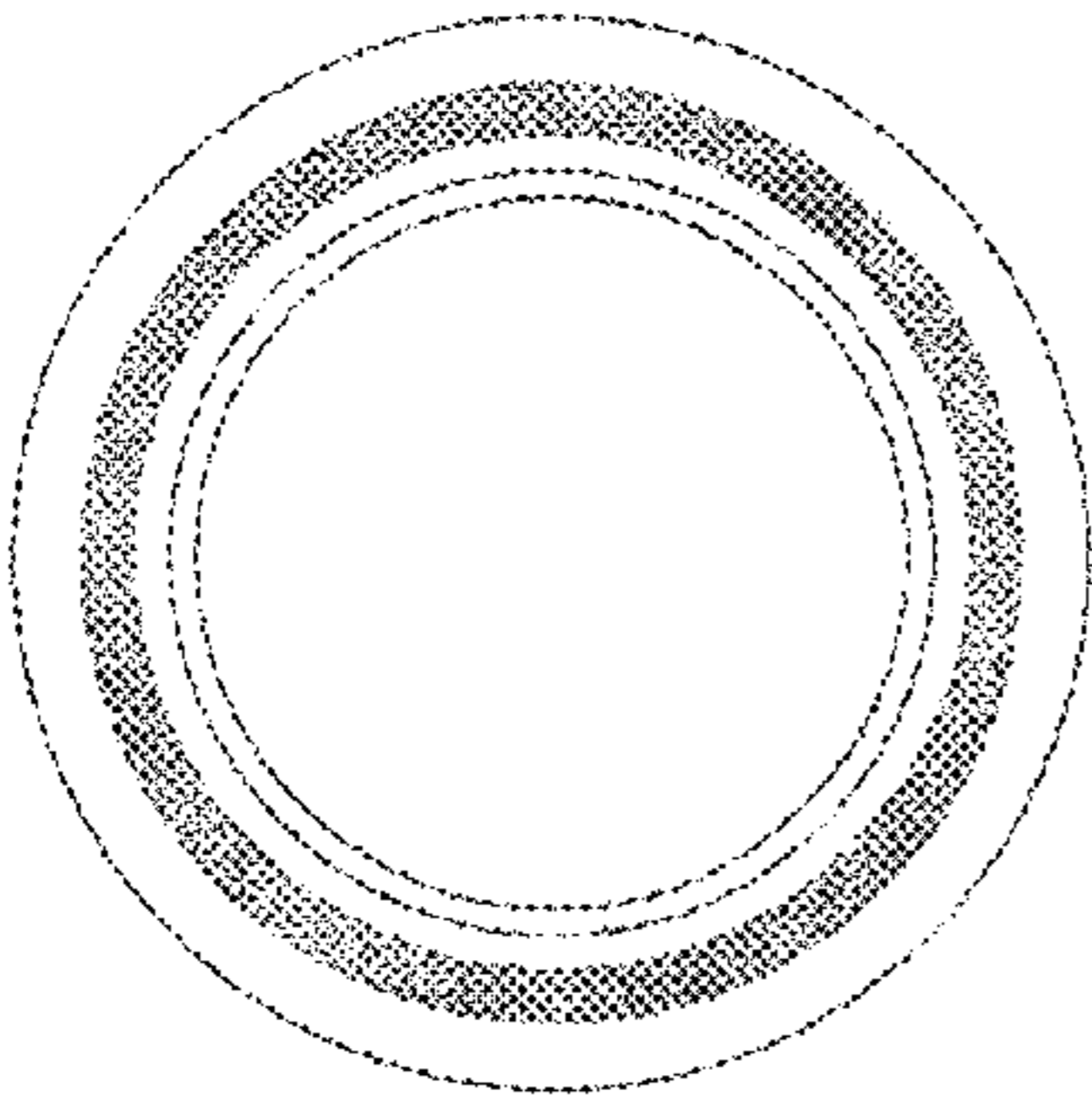


Fig. 3

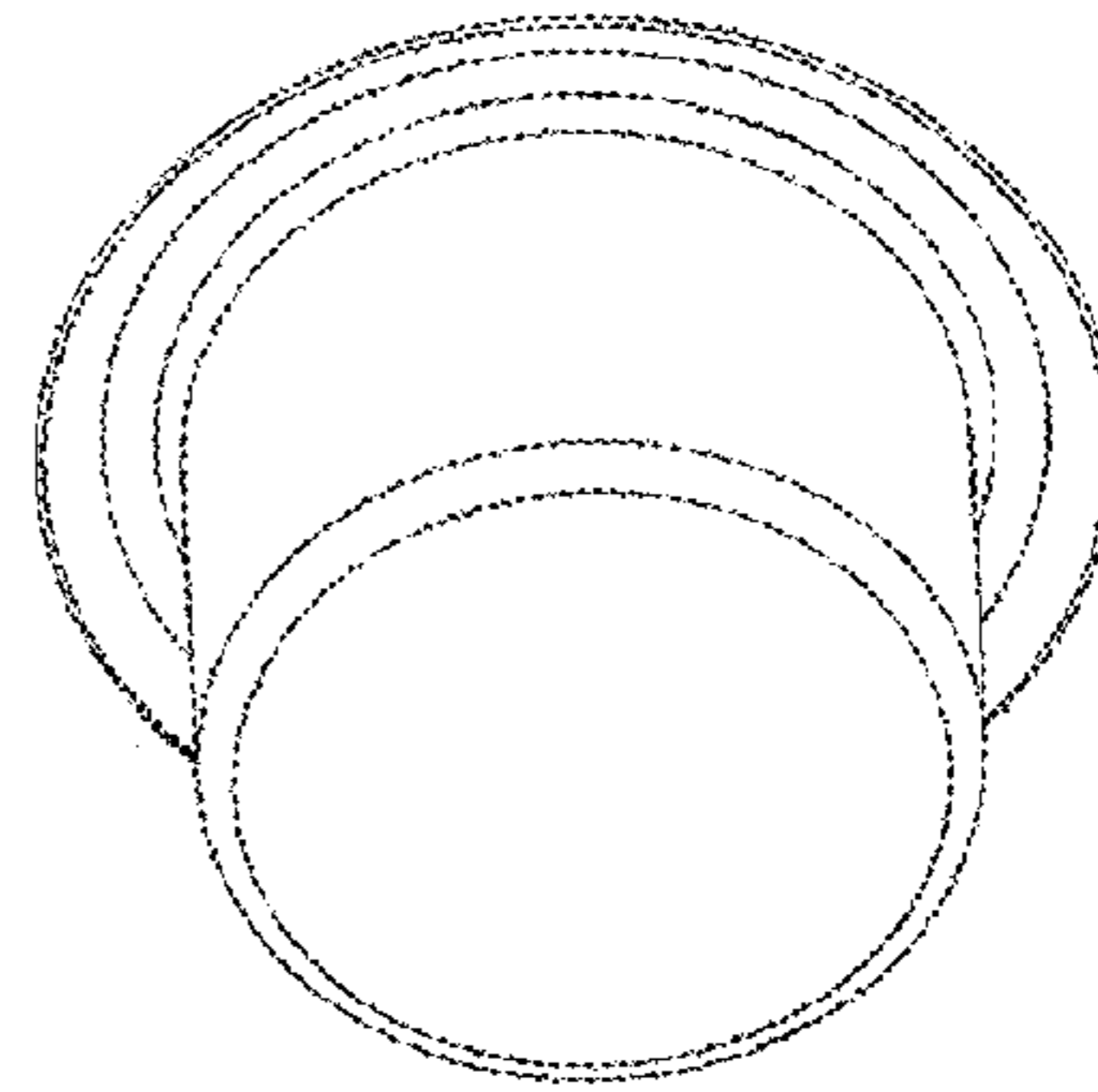


Fig. 4

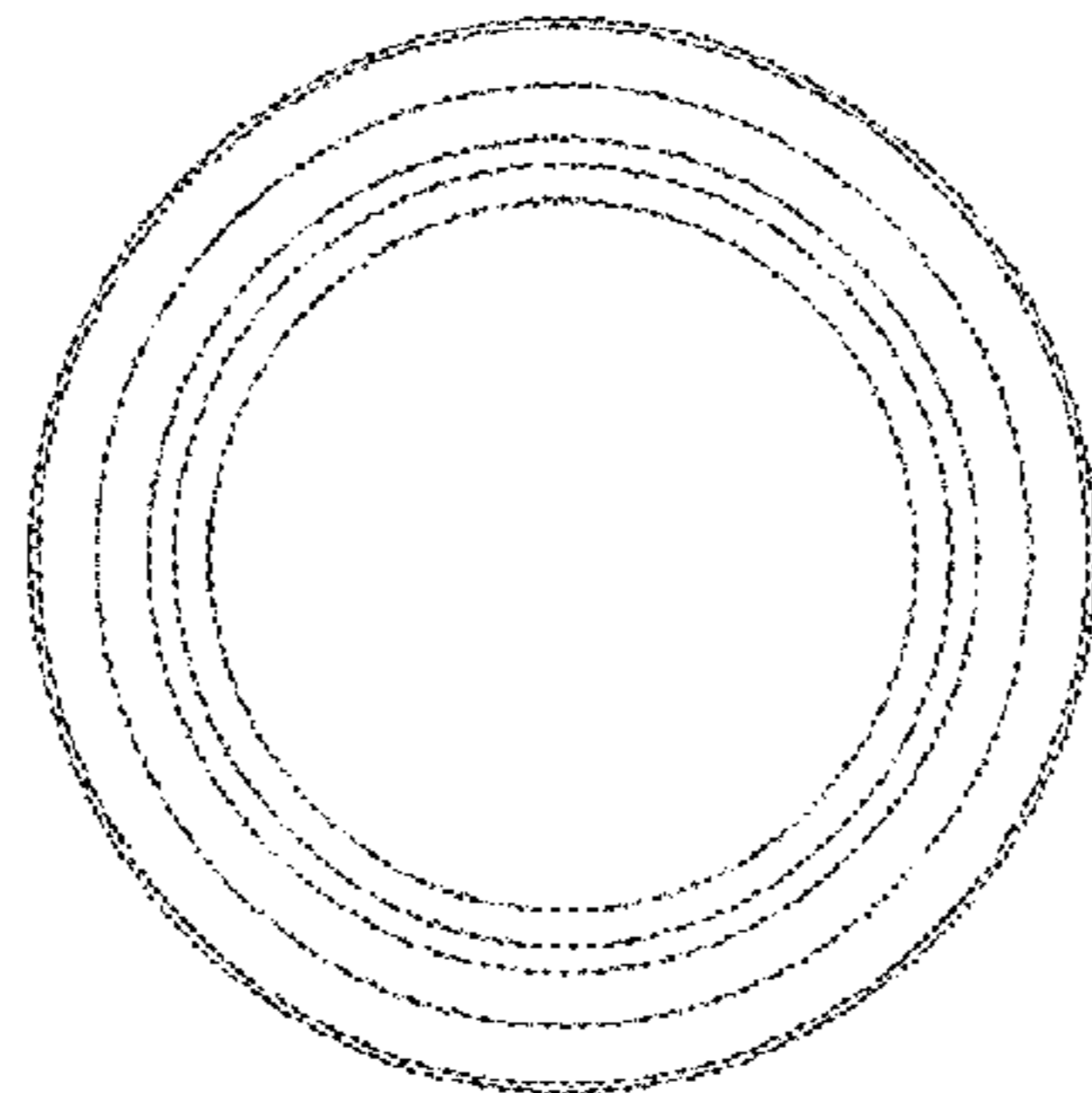


Fig. 5