



US00D760033S

(12) **United States Design Patent**  
**Khaitan**

(10) **Patent No.:** **US D760,033 S**  
(45) **Date of Patent:** **\*\* Jun. 28, 2016**

- (54) **THREE TIER SPICE RACK**
- (71) Applicant: **Anurag Khaitan**, Los Angeles, CA (US)
- (72) Inventor: **Anurag Khaitan**, Los Angeles, CA (US)
- (\*\*) Term: **14 Years**
- (21) Appl. No.: **29/500,812**
- (22) Filed: **Aug. 28, 2014**
- (51) **LOC (10) Cl.** ..... **07-06**
- (52) **U.S. Cl.**  
USPC ..... **D7/600.4**
- (58) **Field of Classification Search**  
USPC ..... D7/601, 600.1–600.4, 571–572,  
D7/576–577, 582–583, 602, 628, 631, 634,  
D7/637, 409, 504, 323, 590, 701–708;  
D6/315, 317, 319, 329, 673, 675,  
D6/675.2, 675.3, 675.5, 566, 567,  
D6/569–572, 574, 672, 682, 682.2, 682.4,  
D6/683–683.1, 677, 677.1, 677.2, 677.3,  
D6/677.5, 680, 680.1, 680.2, 680.3, 681,  
D6/681.1; D19/90–92, 75, 78  
CPC .... A47B 73/002; A47B 73/00; A47B 73/004;  
A47B 73/006; A47B 55/02; A47B 43/00;  
A47B 43/003; A47B 43/04; A47B 46/00;  
A47B 46/005; A47B 47/00; A47B 47/0008;  
A47B 47/0025; A47B 47/0058; A47B  
47/0075; A47B 47/0083; A47B 47/02; A47B  
47/021; A47B 47/03; A47B 47/04; A47B  
55/00; A47B 57/00; A47B 67/00; A47B  
67/02; A47B 71/00; A47B 75/00; A47B  
77/00; A47B 77/02; A47B 77/16; A47B  
2210/17; A47B 88/0411; B65D 21/0211;  
A47F 5/00; A47F 5/0018; A47F 5/0043;  
A47F 5/005; A47F 5/0056; A47F 5/0062;  
A47F 5/0081; A47F 5/01; A47F 7/00; A47F  
7/0007; A47F 7/0042; A47F 7/0057; A47F  
7/0064; A47F 7/0071; A47F 5/0807; A47F  
5/0876; A47F 5/0006; A47F 5/0012; A47F  
5/04; A47F 5/05; A47F 5/06; A47F 1/00;  
A47F 1/04; A47F 3/00; F16M 11/38  
See application file for complete search history.

- (56) **References Cited**  
U.S. PATENT DOCUMENTS  
D171,696 S \* 3/1954 Hall ..... 211/128.1  
2,903,137 A \* 9/1959 Brown ..... A47B 55/02  
211/104  
D210,335 S \* 2/1968 Rollins ..... D6/675.2  
D237,674 S \* 11/1975 Seltzer ..... D6/566  
D291,755 S \* 9/1987 Chap ..... D6/566  
D295,127 S \* 4/1988 Chap ..... D6/566  
5,326,062 A \* 7/1994 Remmers ..... F16B 12/42  
211/106  
5,460,279 A \* 10/1995 Emery ..... A47B 55/02  
211/106  
D367,790 S \* 3/1996 Munoz ..... D6/513  
D424,836 S \* 5/2000 Kopala, Jr. .... D6/675.2

(Continued)

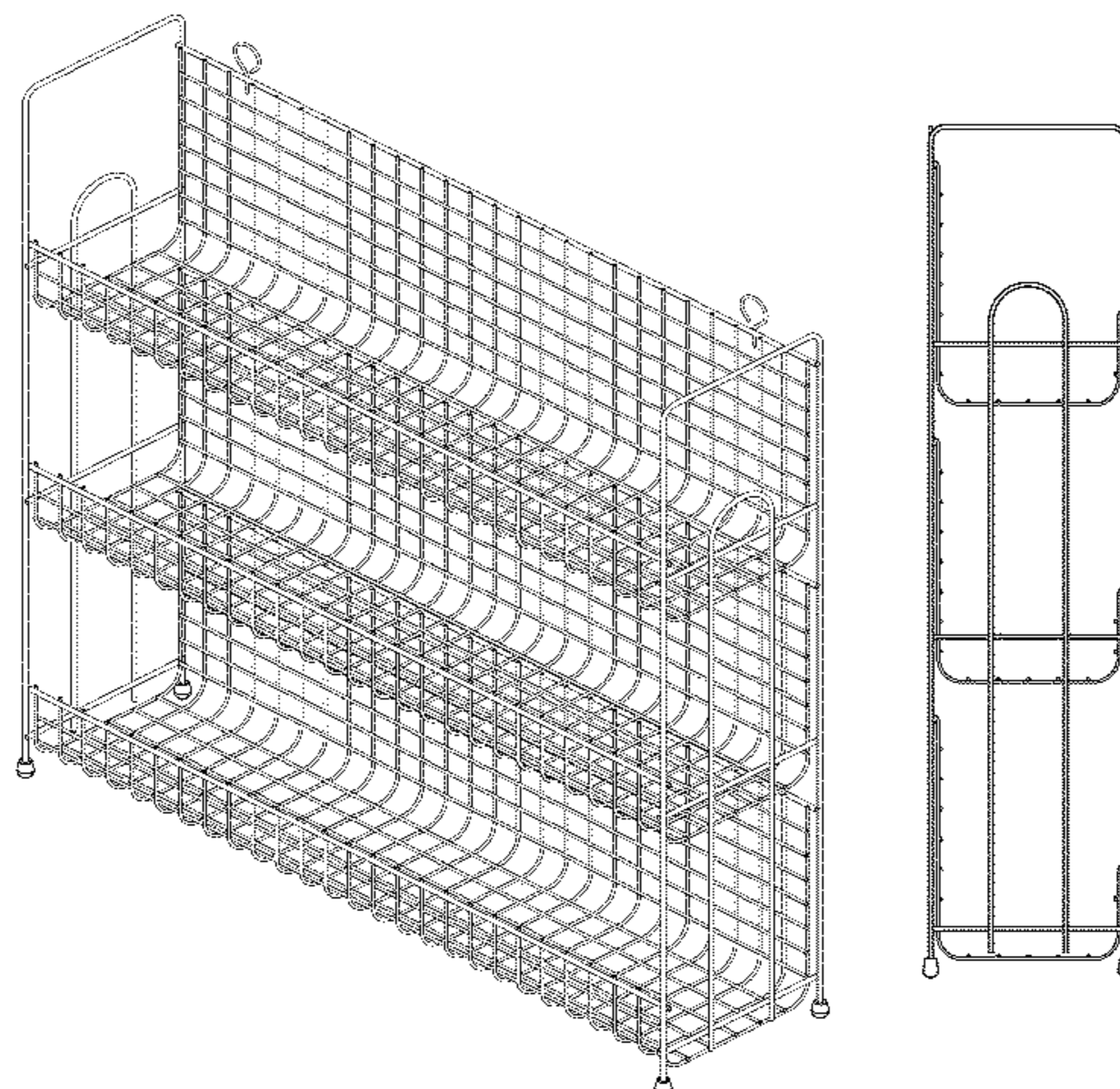
*Primary Examiner* — Ian Simmons  
*Assistant Examiner* — Shannon Morgan  
(74) *Attorney, Agent, or Firm* — Trojan Law Offices

(57) **CLAIM**  
The ornamental design for a three tier spice rack, as shown and described.

**DESCRIPTION**

FIG. 1 is a perspective view of a three tier spice rack, showing my new design;  
FIG. 2 is a front view of the three tier spice rack shown in FIG. 1;  
FIG. 3 is a rear view of the three tier spice rack shown in FIG. 1;  
FIG. 4 is a top view of the three tier spice rack shown in FIG. 1;  
FIG. 5 is a bottom view of the three tier spice rack holder shown in FIG. 1;  
FIG. 6 is a left side view of the three tier spice rack shown in FIG. 1; and,  
FIG. 7 is a right side view of the three tier spice rack shown in FIG. 1.

**1 Claim, 7 Drawing Sheets**



(56)

**References Cited**

U.S. PATENT DOCUMENTS

D437,165 S *	2/2001	Goodman	.....	D7/600.4	D628,842 S *	12/2010	Guindi	.....	D6/566
D442,002 S *	5/2001	Rodack	.....	D6/566	D637,850 S *	5/2011	Ghiorghie	.....	D3/306
D450,213 S *	11/2001	Snell	.....	D6/566	D643,657 S *	8/2011	Cittadino	.....	D6/525
D452,533 S *	12/2001	Goodman	.....	D19/90	D649,822 S *	12/2011	Goodman	.....	D6/566
D497,070 S *	10/2004	Tipping	.....	D6/566	D650,203 S *	12/2011	Klein	.....	D6/677.1
D498,632 S *	11/2004	Anderson	.....	D6/566	D660,052 S *	5/2012	Flores	.....	D6/675.2
D547,093 S *	7/2007	Butters	.....	D6/566	D699,478 S *	2/2014	Snider	.....	D6/566
D554,419 S *	11/2007	Thompson	.....	D6/566	D699,987 S *	2/2014	Angvall	.....	D6/675.5
D568,116 S *	5/2008	Goodman	.....	D6/525	D734,966 S *	7/2015	Greenspon	.....	D6/675.2
D578,815 S *	10/2008	Dominique	.....	D6/514	D739,681 S *	9/2015	Bee	.....	D7/600.4
D592,251 S *	5/2009	Goodman	.....	D19/90	2003/0085188 A1 *	5/2003	Klein	.....	A47B 57/10 211/118
D602,712 S *	10/2009	Ho	.....	D6/675.2	2006/0032829 A1 *	2/2006	Hutzler	.....	A47B 13/02 211/187
D626,356 S *	11/2010	Ho	.....	D6/675.2	2010/0288717 A1 *	11/2010	Morandi	.....	A47B 43/00 211/187

\* cited by examiner

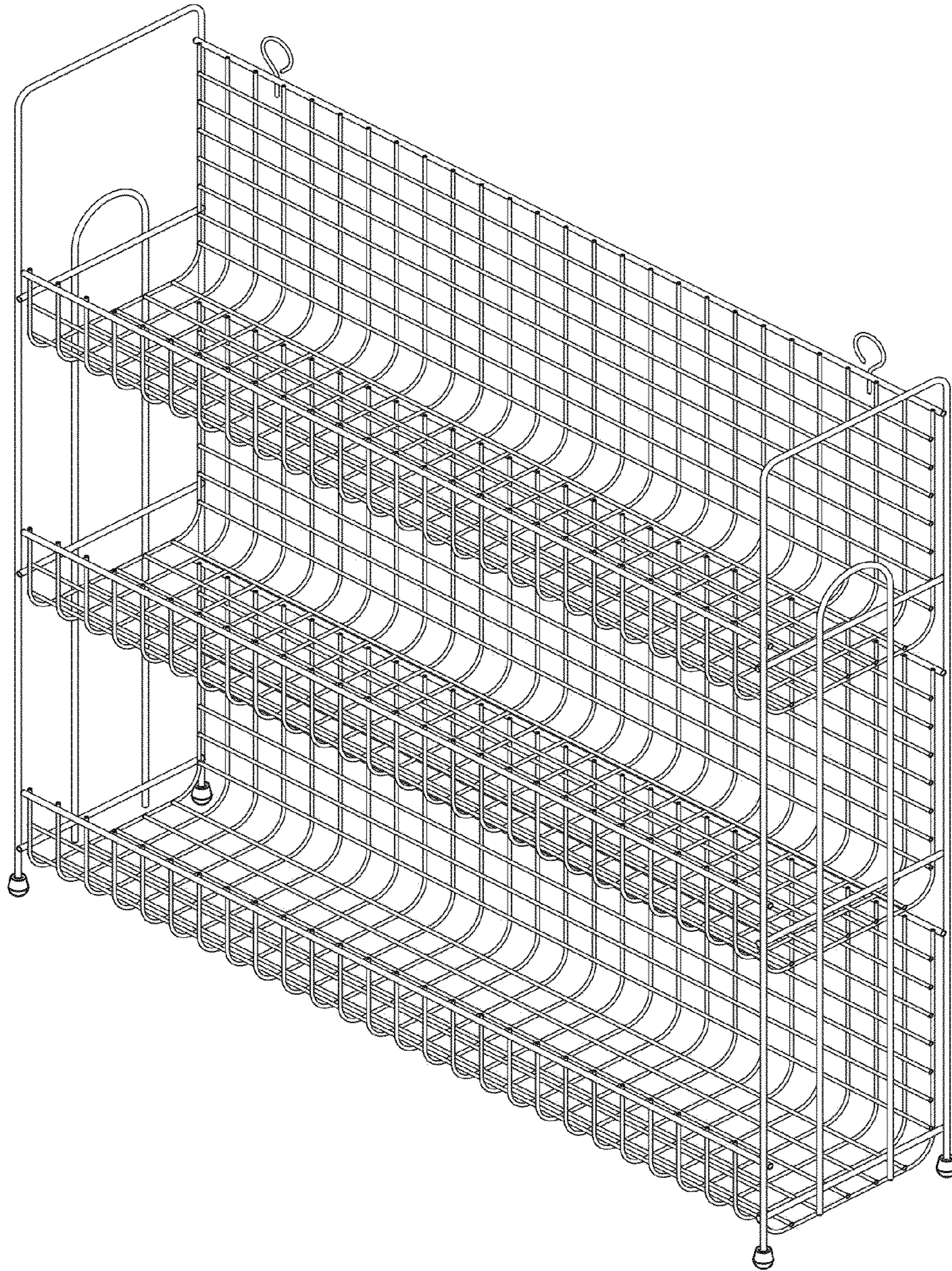


Fig. 1

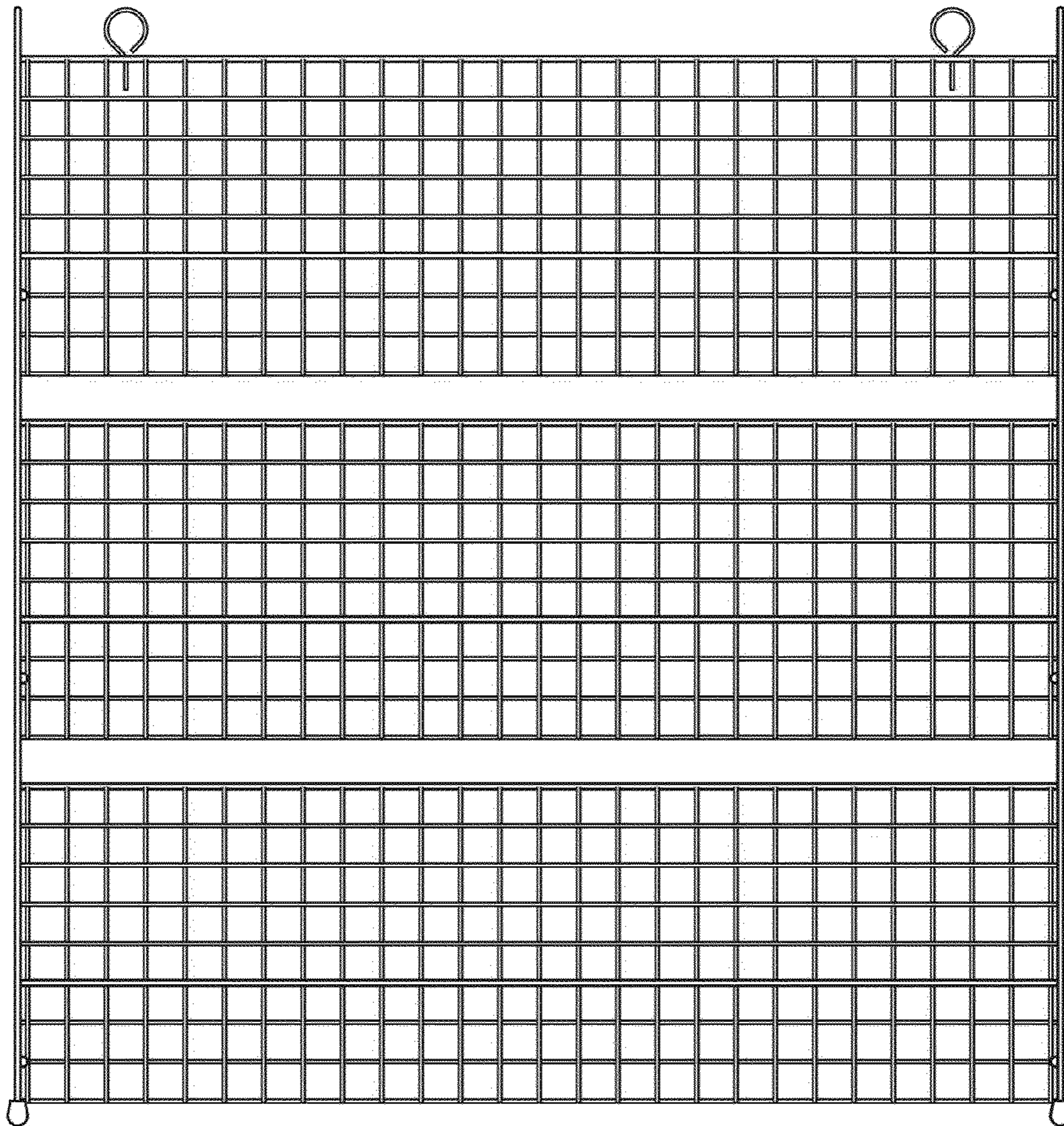


Fig. 2

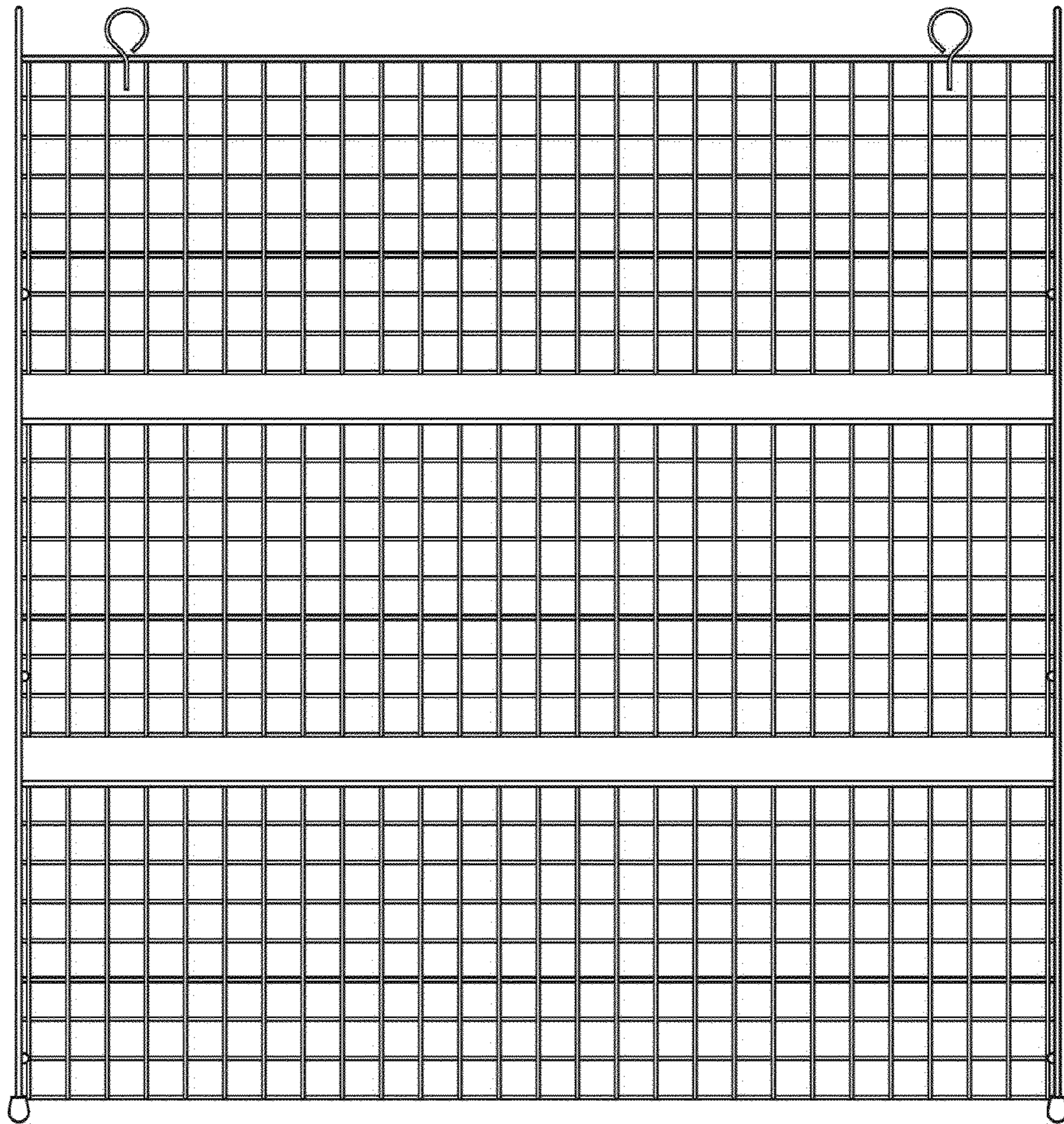
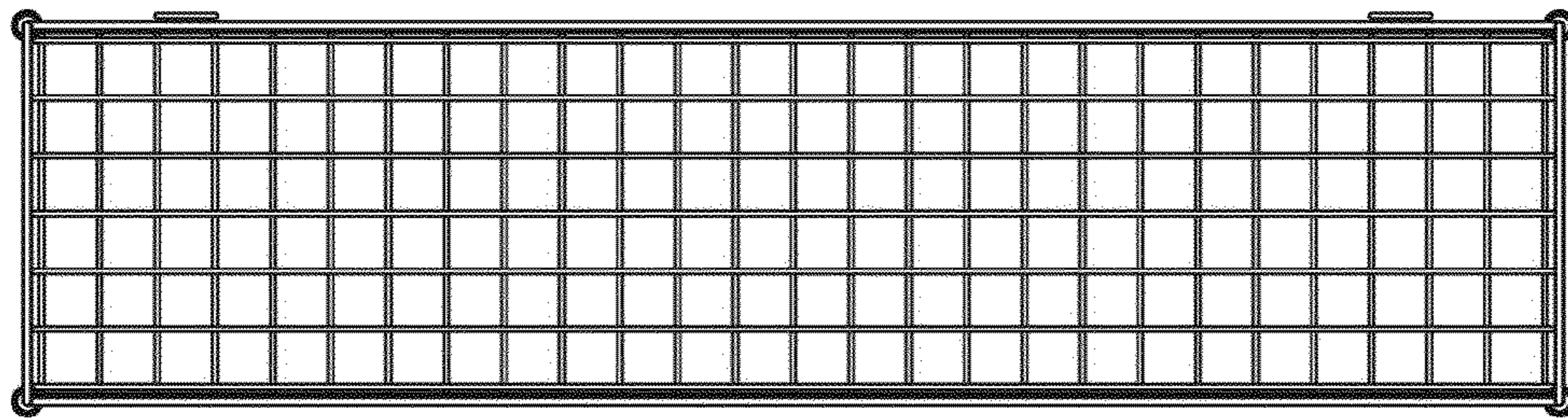
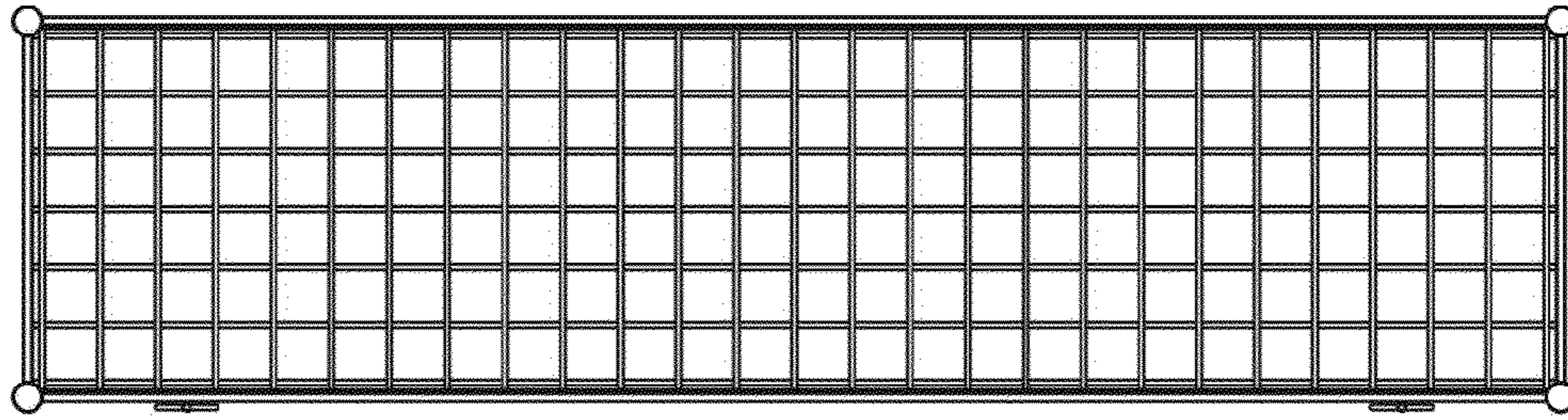


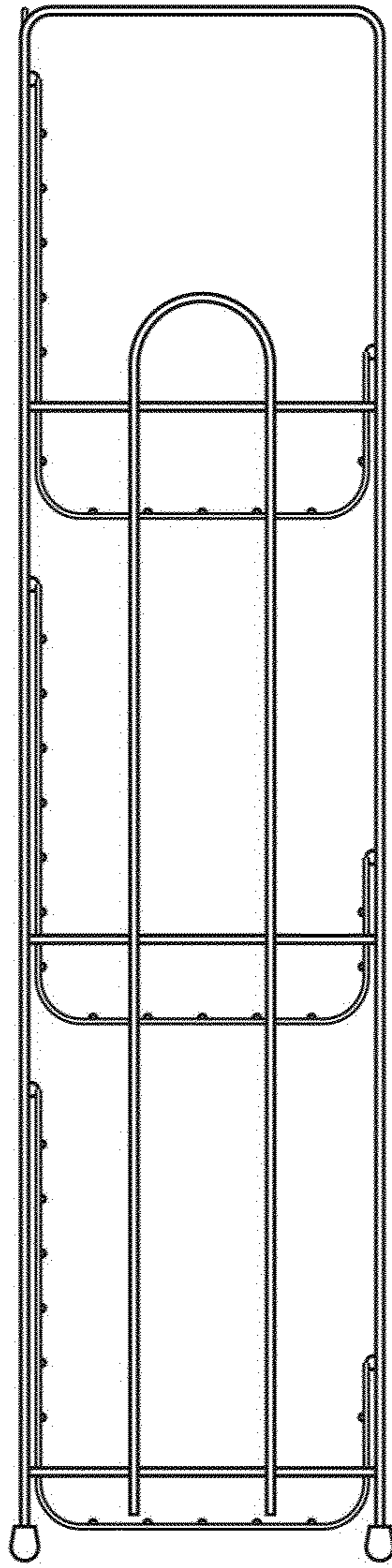
Fig. 3



**Fig. 4**

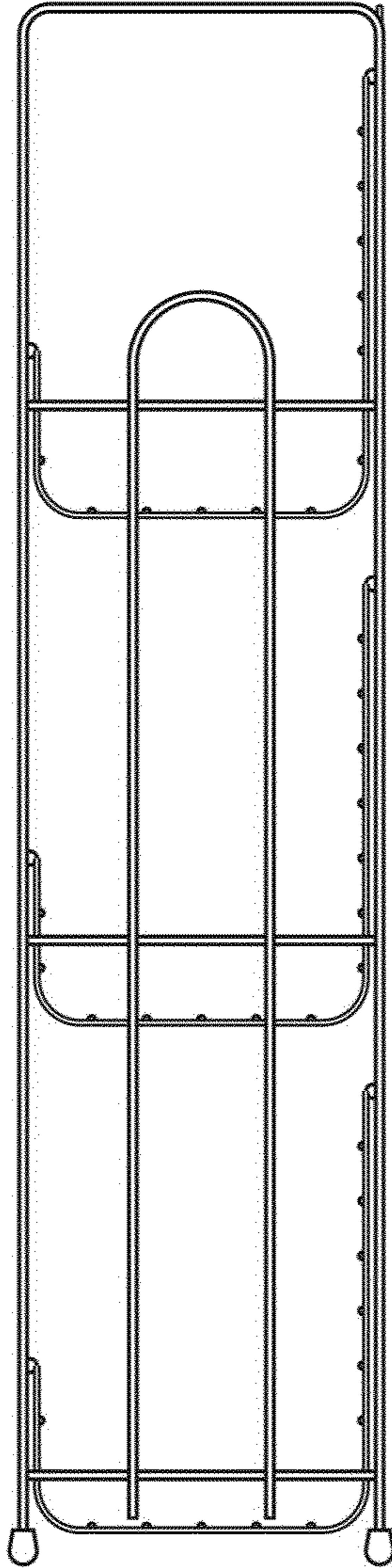


**Fig. 5**



**Fig. 6**





**Fig. 7**