

US00D760028S

(12) **United States Design Patent**
Di Giuseppantonio

(10) **Patent No.:** **US D760,028 S**
(45) **Date of Patent:** **** Jun. 28, 2016**

(54) **GOBLET**

(56) **References Cited**

(71) Applicant: **BORMIOLI LUIGI S.p.A.**, Parma (IT)

U.S. PATENT DOCUMENTS

(72) Inventor: **Vincenzo Di Giuseppantonio**, Fidenza (IT)

D44,204 S *	6/1913	Hunter	D7/524
D52,622 S *	11/1918	Balda	D7/524
D52,652 S *	11/1918	Heisey	D7/524
D62,838 S *	8/1923	McCracken	D7/524
D284,154 S *	6/1986	Blake	D7/524
D370,155 S *	5/1996	Harrison	D7/524
6,189,715 B1 *	2/2001	Dubois	A47G 19/2205 215/374
D544,306 S *	6/2007	Festa	D7/300.1
D617,148 S *	6/2010	Musso	D7/524
D674,236 S *	1/2013	Zimmer	D7/396.2
D692,725 S *	11/2013	Lehmann	D7/524

(73) Assignee: **BORMIOLI LUIGI S.P.A.**, Parma (IT)

(**) Term: **14 Years**

(21) Appl. No.: **29/499,449**

(22) Filed: **Aug. 14, 2014**

(30) **Foreign Application Priority Data**

Feb. 17, 2014 (EM) 002406025-0002

Feb. 17, 2014 (EM) 002406025-0003

(51) **LOC (10) Cl.** **07-01**

(52) **U.S. Cl.**
USPC **D7/524; D7/537**

(58) **Field of Classification Search**
USPC D7/507, 509, 510, 513, 523, 532-537,
D7/524-528, 213, 396.4, 387, 389, 393,
D7/395, 668; D9/533, 740, 439, 741, 742,
D9/743, 747, 440, 436, 417; 220/592.16,
220/592.17, 592.2, 592.26, 592.27, 703,
220/4.26, 4.27; 215/387, 388, 400, 382;
D24/196, 197; 206/217, 519; 99/459
CPC A47G 19/22; A47G 19/2205; A47G
19/2266; A47G 19/2272; A47G 19/23;
A47G 19/2288; A61J 7/0046; B29L
2031/7132; B65D 1/265; B65D 21/02

See application file for complete search history.

OTHER PUBLICATIONS

Wine Glass Guide—Riedel Restaurant.*
Mar. 18, 2013—Sensorik Goblet—www.Sahm.de.*

* cited by examiner

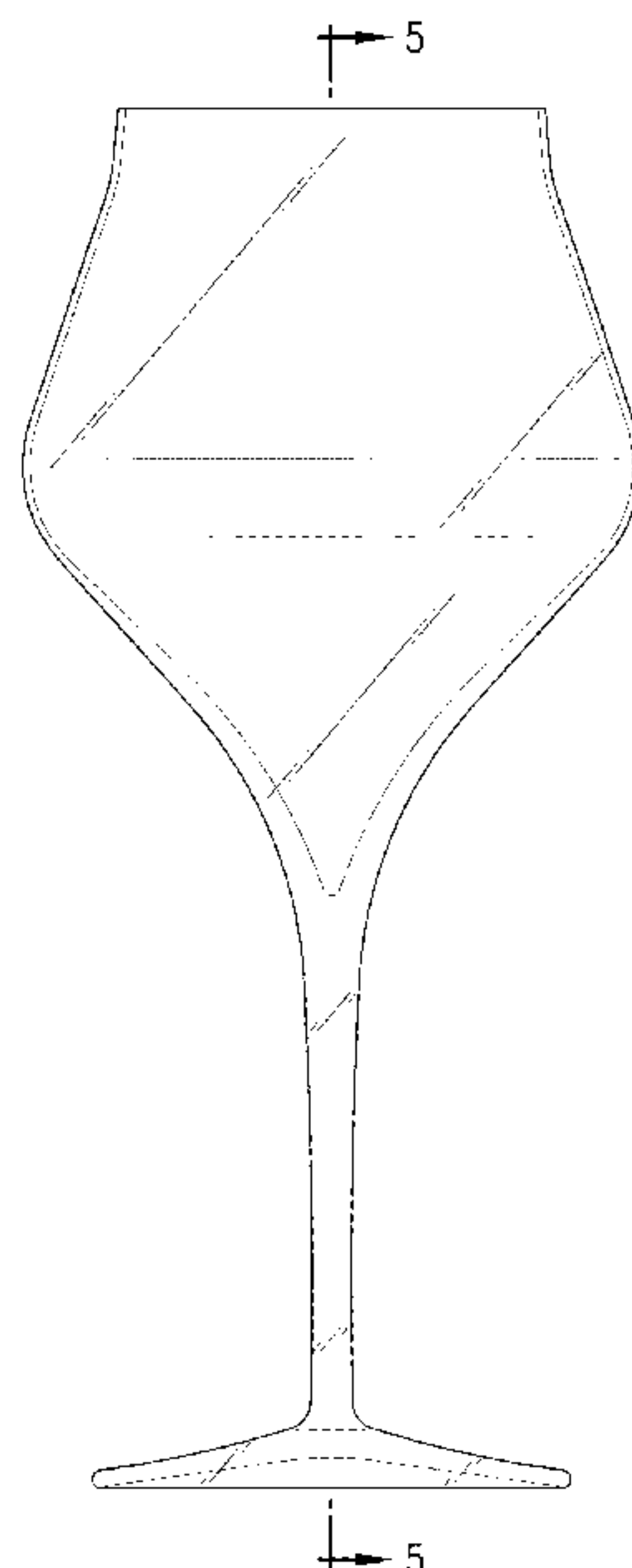
Primary Examiner — Marianne Pandozzi
Assistant Examiner — Jae Liang
(74) *Attorney, Agent, or Firm* — Hedman & Costigan, P.C.;
James V. Costigan; Kathleen A. Costigan

(57) **CLAIM**
I claim the ornamental design for a goblet, as shown and described.

DESCRIPTION

FIG. 1 is a perspective view of a goblet showing my new design;
FIG. 2 is a front elevational view thereof; the rear, right side, and left side elevational views being a mirror image thereof;
FIG. 3 is a top plan view thereof;
FIG. 4 is a bottom plan view thereof; and,
FIG. 5 is a cross section view showing a section taken along line 5-5 of FIG. 2.

1 Claim, 4 Drawing Sheets



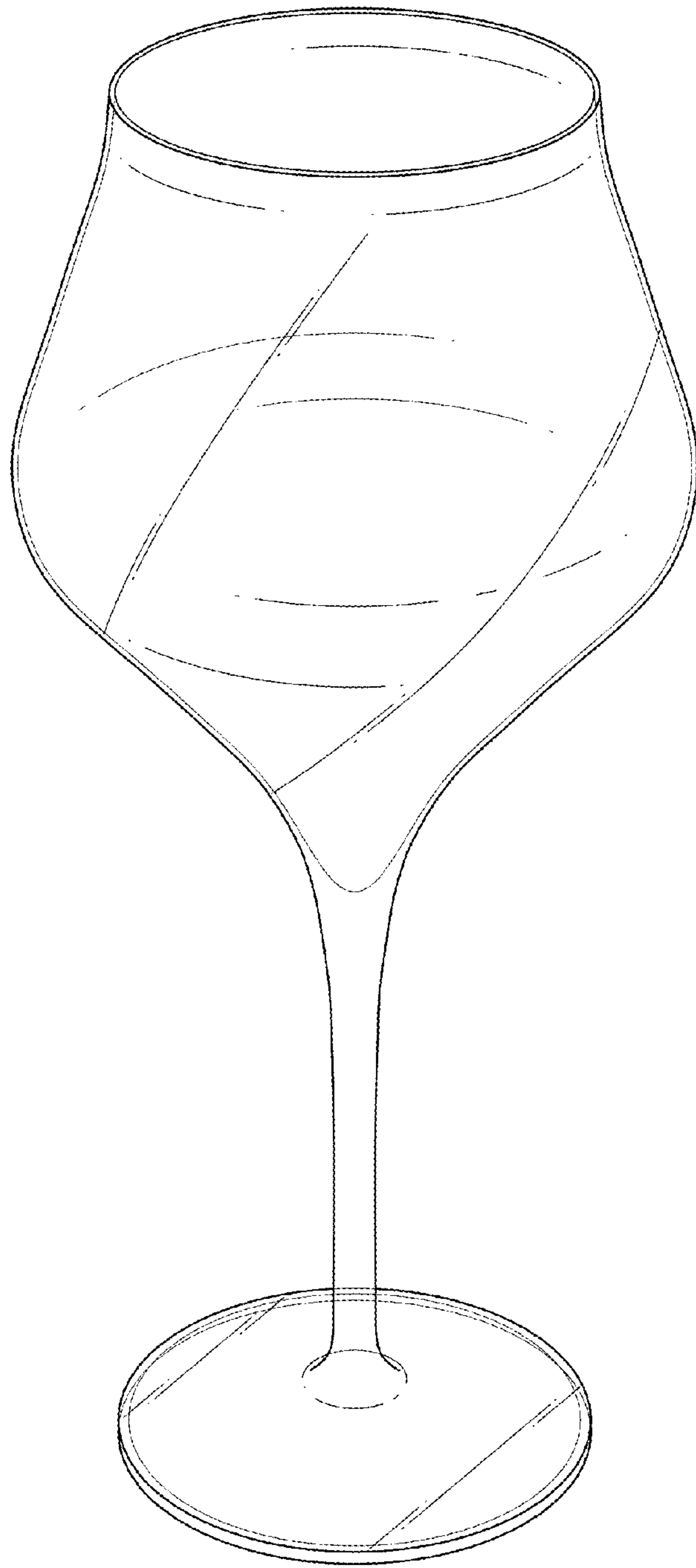


FIG. 1

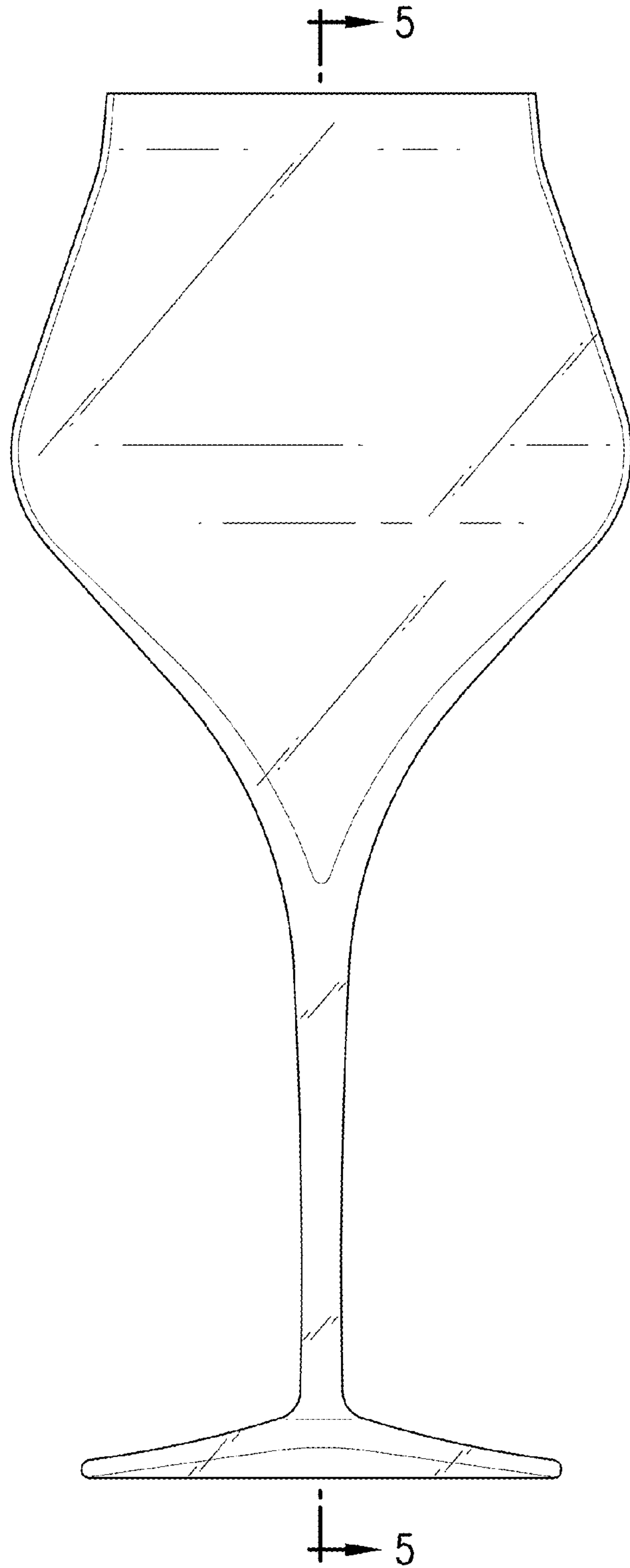


FIG. 2

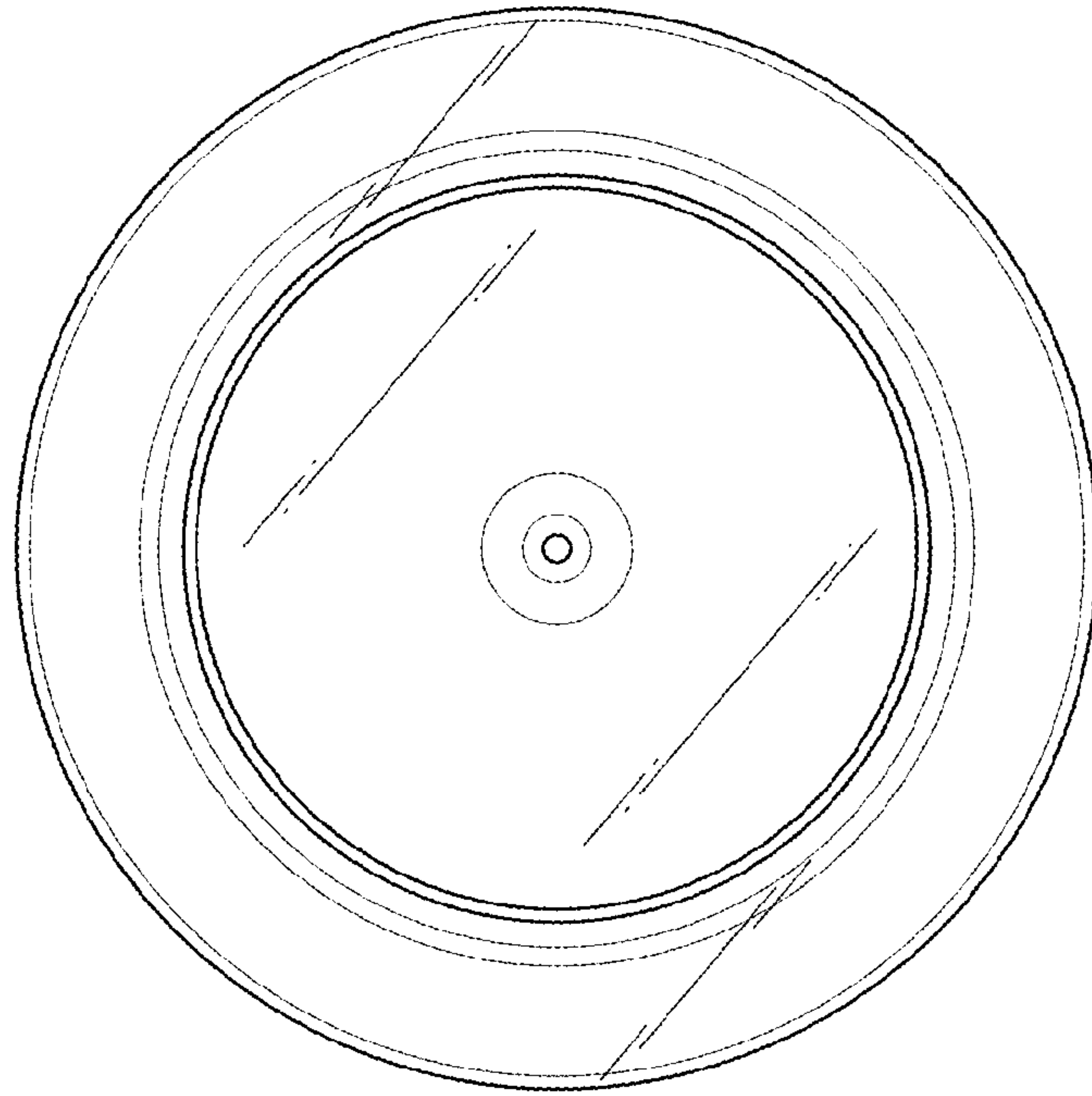


FIG. 3

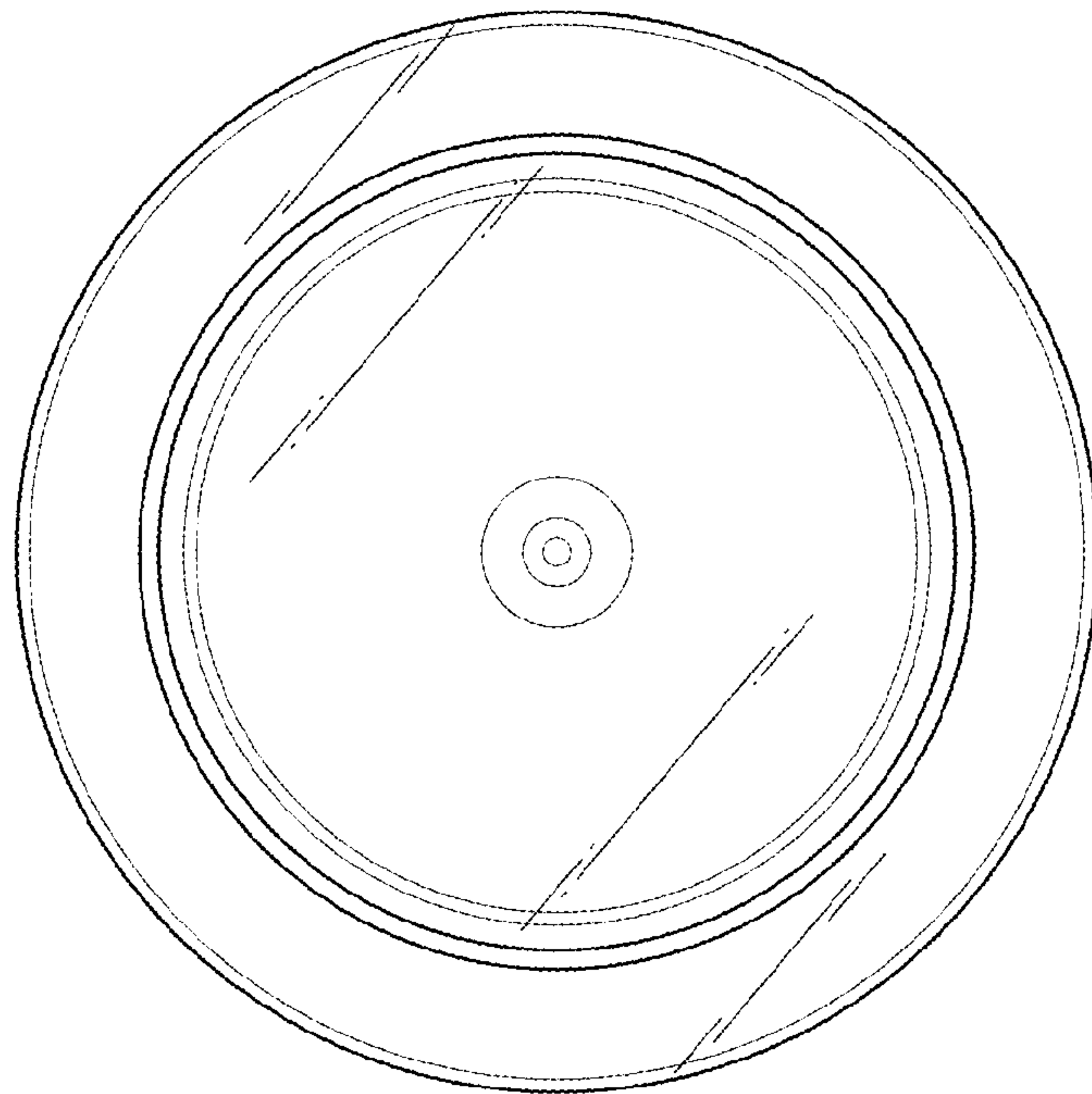


FIG. 4

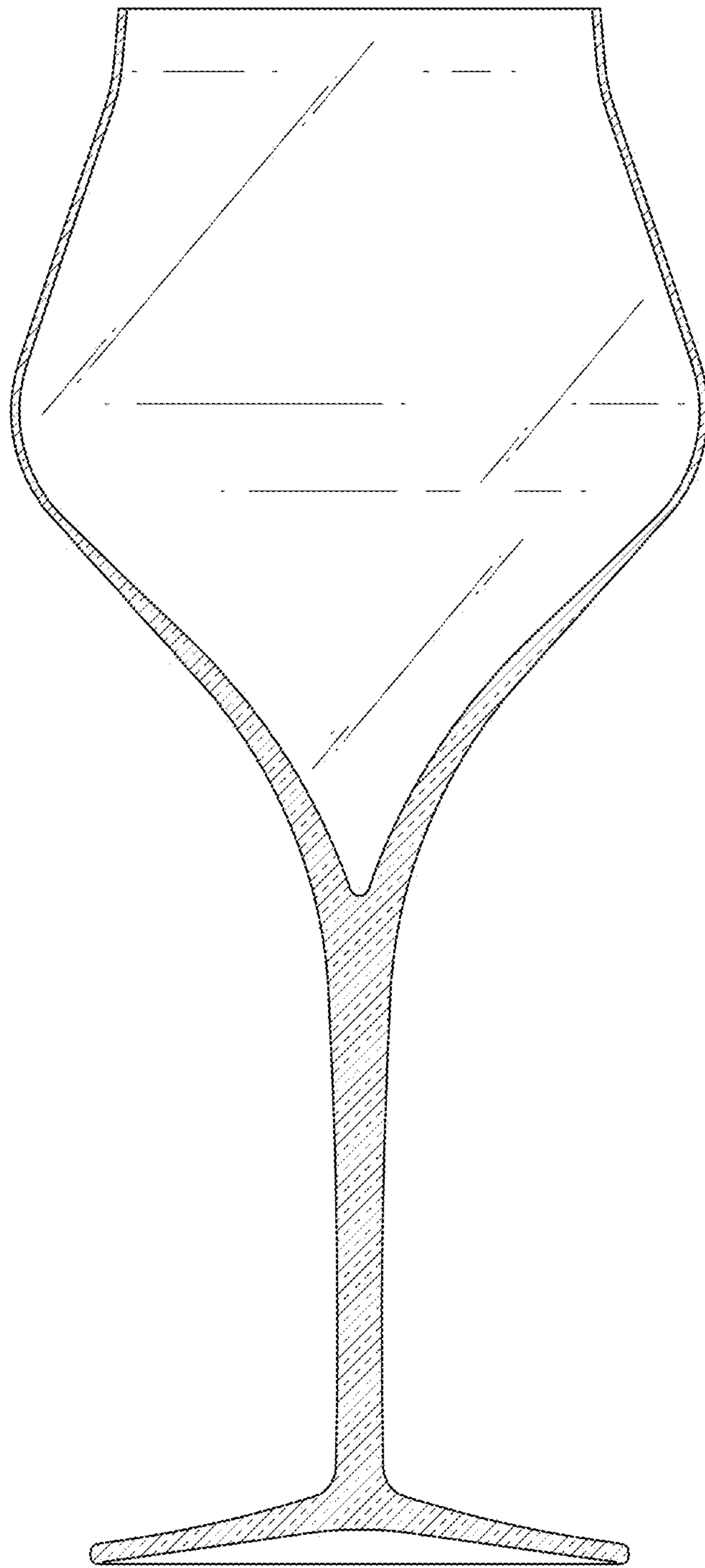


FIG. 5