



US00D760026S

(12) **United States Design Patent**
Smith et al.

(10) **Patent No.:** **US D760,026 S**
(45) **Date of Patent:** **** Jun. 28, 2016**

(54) **BLENDER CONTAINER**

(56) **References Cited**

(71) Applicant: **Euro-Pro Operating LLC**, Newton, MA (US)

U.S. PATENT DOCUMENTS

(72) Inventors: **Cory Smith**, Newton, MA (US); **David Audette**, Newton, MA (US)

D181,541 S	11/1957	Madl et al.
D185,780 S	8/1959	Tupper
D214,227 S	5/1969	Madl et al.
3,820,692 A	6/1974	Swett et al.
D241,404 S	9/1976	Mantelet
D278,963 S	5/1985	Dair et al.

(73) Assignee: **SHARKNINJA OPERATING LLC**, Newton, MA (US)

(Continued)

(**) Term: **14 Years**

FOREIGN PATENT DOCUMENTS

(21) Appl. No.: **29/518,186**

DK	MA02601955	8/1995
KR	0233885 S	3/1999

(22) Filed: **Feb. 20, 2015**

OTHER PUBLICATIONS

Related U.S. Application Data

Sunbeam Kitchen Assistant—Model: 2774; Supplied by Japanese Patent Office Action Jan. 5, 2015; URL: <http://www.sunbeam.com/productdetail.aspx?section=kitchen&cid=1684&pid=4936>; 2 Pages.

(63) Continuation of application No. 29/484,128, filed on Mar. 6, 2014, now Pat. No. Des. 734,988, and a continuation of application No. 29/484,129, filed on Mar. 6, 2014, now Pat. No. Des. 735,530.

Primary Examiner — Ricky Pham

(51) **LOC (10) Cl.** **31-00**

(74) *Attorney, Agent, or Firm* — Cantor Colburn LLP

(52) **U.S. Cl.**

(57) **CLAIM**

USPC **D7/413**; D7/376; D7/378

The ornamental design for a blender container, as shown and described.

(58) **Field of Classification Search**

DESCRIPTION

USPC D7/372, 376–386, 412–413, 510, 602, D7/629, 665–666, 669, 679, 693–694; D9/429

FIG. 1 is a perspective view of an embodiment of a blender container showing our new design;

CPC A21C 1/02; A21C 1/04; A23N 1/00;

FIG. 2 is a front elevational view thereof;

A23N 1/02; A47J 19/027; A47J 43/04;

FIG. 3 is a rear elevational view thereof;

A47J 43/25; A47J 43/27; A47J 43/042;

FIG. 4 is a left side elevational view thereof;

A47J 43/044; A47J 43/046; A47J 43/075;

FIG. 5 is a right side elevational view thereof;

A47J 43/0722; A47J 43/0727; B01F 3/00;

FIG. 6 is a top plan view thereof; and,

B01F 3/0807; B01F 3/0853; B01F 13/0059;

FIG. 7 is a bottom plan view thereof.

B01F 13/0064; B02C 1/08; B02C 2/04;

The broken lines in the drawings are for illustrative purposes only and form no part of the claimed design.

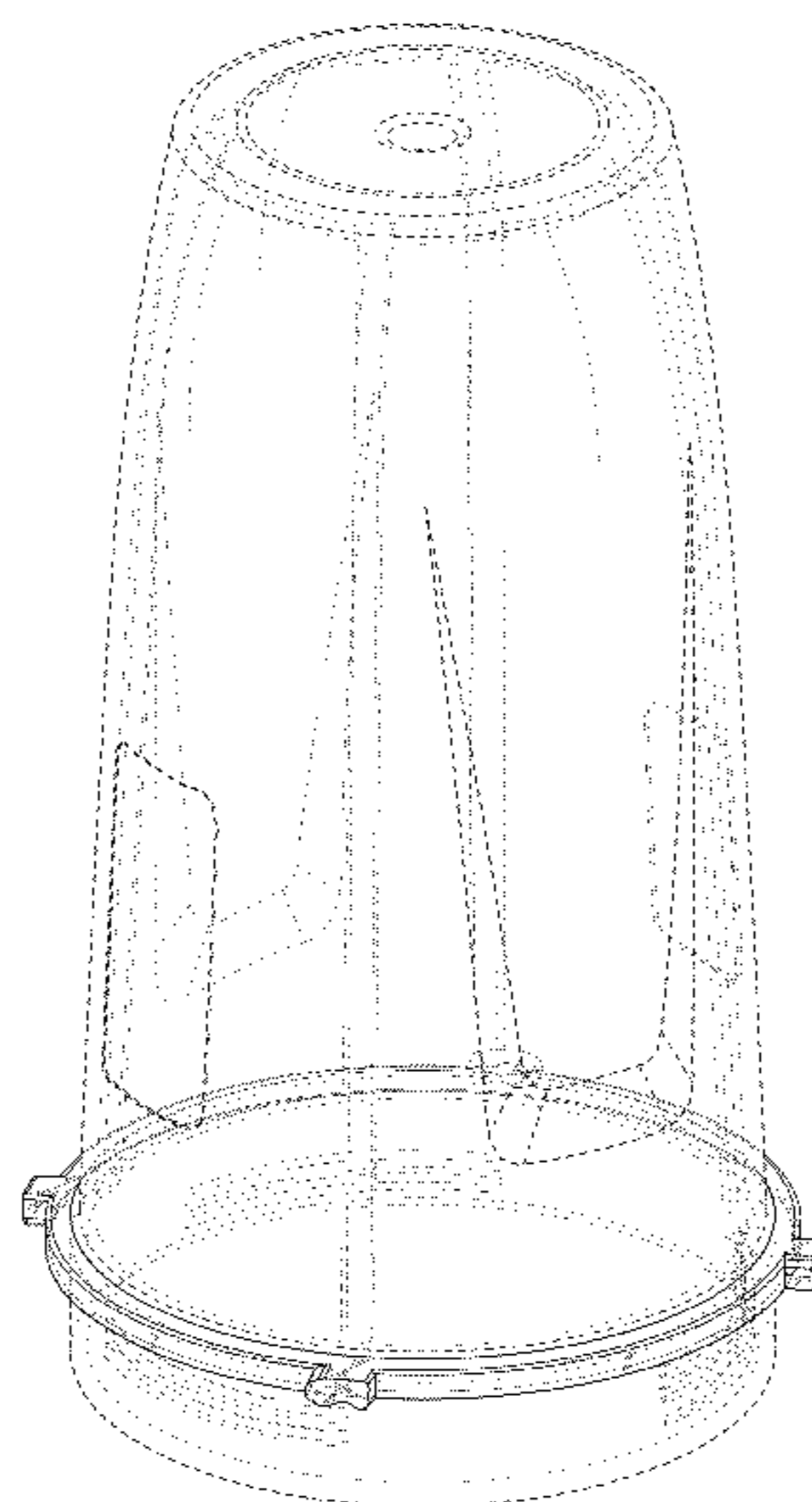
B02C 4/42; B02C 4/142; B02C 4/143; B02C

4/423; B02C 13/1835; B28C 5/10; B28C

5/12; B28C 5/14; B28C 5/16

See application file for complete search history.

1 Claim, 7 Drawing Sheets



(56)

References Cited

U.S. PATENT DOCUMENTS

D301,824 S	6/1989	Machuron	
D305,503 S	1/1990	Bormioli	
D349,423 S	8/1994	Burgel	
D400,757 S	11/1998	Hippen et al.	
D406,154 S	2/1999	Copland et al.	
D416,443 S	11/1999	Kilpatrick et al.	
D417,589 S	12/1999	Parker	
D417,591 S	12/1999	Roehrig	
6,029,568 A	2/2000	Pascotti et al.	
D426,423 S	6/2000	Lee	
D428,768 S	8/2000	Betras	
D431,469 S	10/2000	Solland et al.	
D432,865 S	10/2000	Cohen	
D438,430 S	3/2001	Gabrhel	
D444,344 S	7/2001	Barthelemy et al.	
D459,947 S	7/2002	Cheng	
D462,236 S	9/2002	Hurlbut	
D466,362 S	12/2002	Moore	
D471,064 S	3/2003	Renz	
D475,582 S	6/2003	To	
D478,779 S	8/2003	Stamper, III et al.	
D479,949 S	9/2003	Janky	
D480,601 S	10/2003	Pettaweebuncha	
D487,668 S	3/2004	Sands	
D488,672 S	4/2004	Oas	
D490,272 S	5/2004	Rohe	
D498,642 S	11/2004	Huang	
D501,759 S	2/2005	Sands	
D507,721 S	7/2005	Schuler	
D510,678 S *	10/2005	Krasne	D7/376
D517,862 S	3/2006	Sands	
D518,994 S *	4/2006	Lin	D7/378
D521,802 S	5/2006	Sands	
7,044,051 B2	5/2006	Le Rouzic	
D522,304 S	6/2006	Huang	
D528,364 S	9/2006	Kolar et al.	
D536,216 S	2/2007	Sands	
D537,677 S	3/2007	Bresler	
D540,124 S	4/2007	Ross	
D540,979 S	4/2007	Chen	
D547,610 S	7/2007	Edelstein et al.	
D548,008 S	8/2007	Lin	
D549,043 S *	8/2007	Beesley	D7/374
D553,435 S	10/2007	De Groot	
D553,904 S *	10/2007	Romandy	D7/378
D554,427 S	11/2007	Sands	
D565,353 S *	4/2008	Roth	D7/510
D580,227 S	11/2008	Roth et al.	
D580,986 S	11/2008	Farnworth et al.	
D587,969 S	3/2009	Gilbert	
D617,136 S *	6/2010	Bock	D7/378
D621,206 S	8/2010	Matta et al.	
D625,141 S	10/2010	Moore	
D631,293 S	1/2011	Ross	
D632,133 S	2/2011	Giraud et al.	
D632,918 S	2/2011	Gordon	
D638,665 S *	5/2011	Wu	D7/378
D644,065 S	8/2011	Llerena	
D644,478 S	9/2011	Czach	
D654,305 S	2/2012	Gursel et al.	
D655,133 S	3/2012	Brinckerhoff et al.	
D661,547 S	6/2012	Brinckerhoff et al.	
D682,606 S	5/2013	Machovina et al.	
D683,590 S *	6/2013	Austin	D7/510
D696,063 S	12/2013	Coakley et al.	
D697,798 S *	1/2014	Sorensen	D9/429
D698,210 S	1/2014	Lavy et al.	
D699,996 S	2/2014	De Leo	
D702,999 S	4/2014	Audette et al.	
D705,606 S *	5/2014	Coakley	D7/376
D708,903 S	7/2014	Wong	
D712,196 S *	9/2014	Ho	D7/378
D734,988 S *	7/2015	Smith	D7/376
2004/0066705 A1	4/2004	Linz et al.	
2005/0047272 A1 *	3/2005	Sands	A47J 19/027 366/199
2010/0058940 A1	3/2010	Rivera	

* cited by examiner

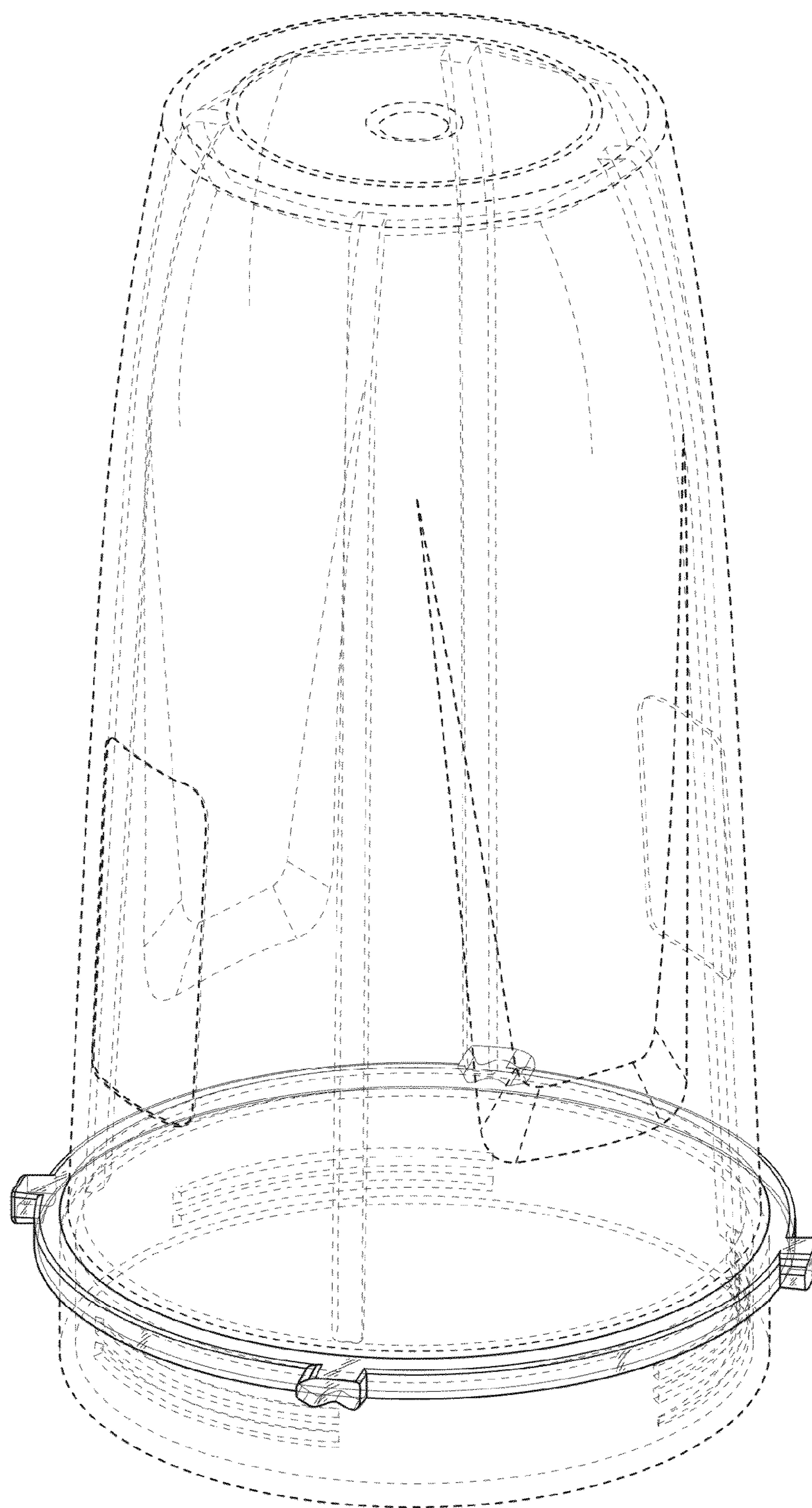


FIG. 1

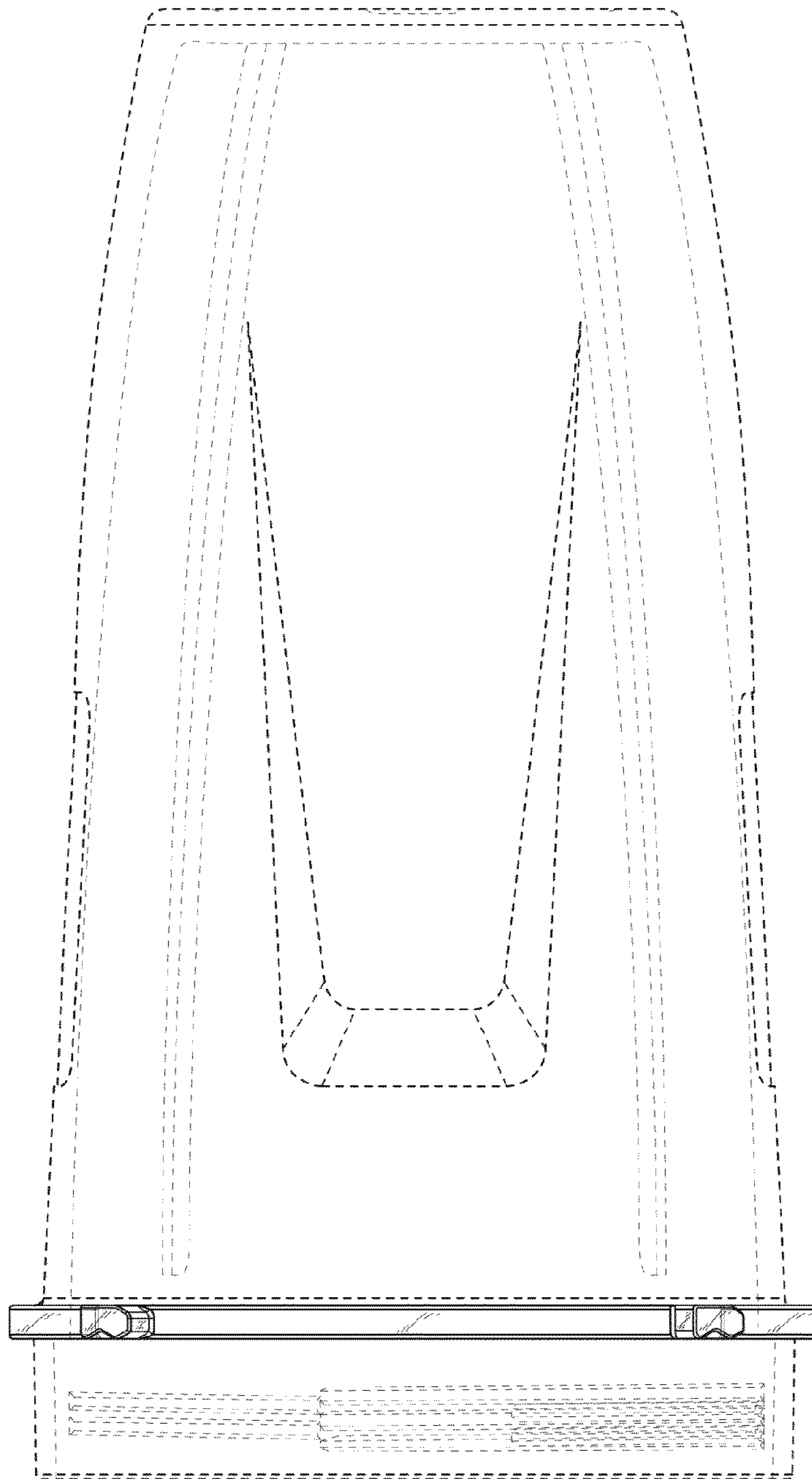


FIG. 2

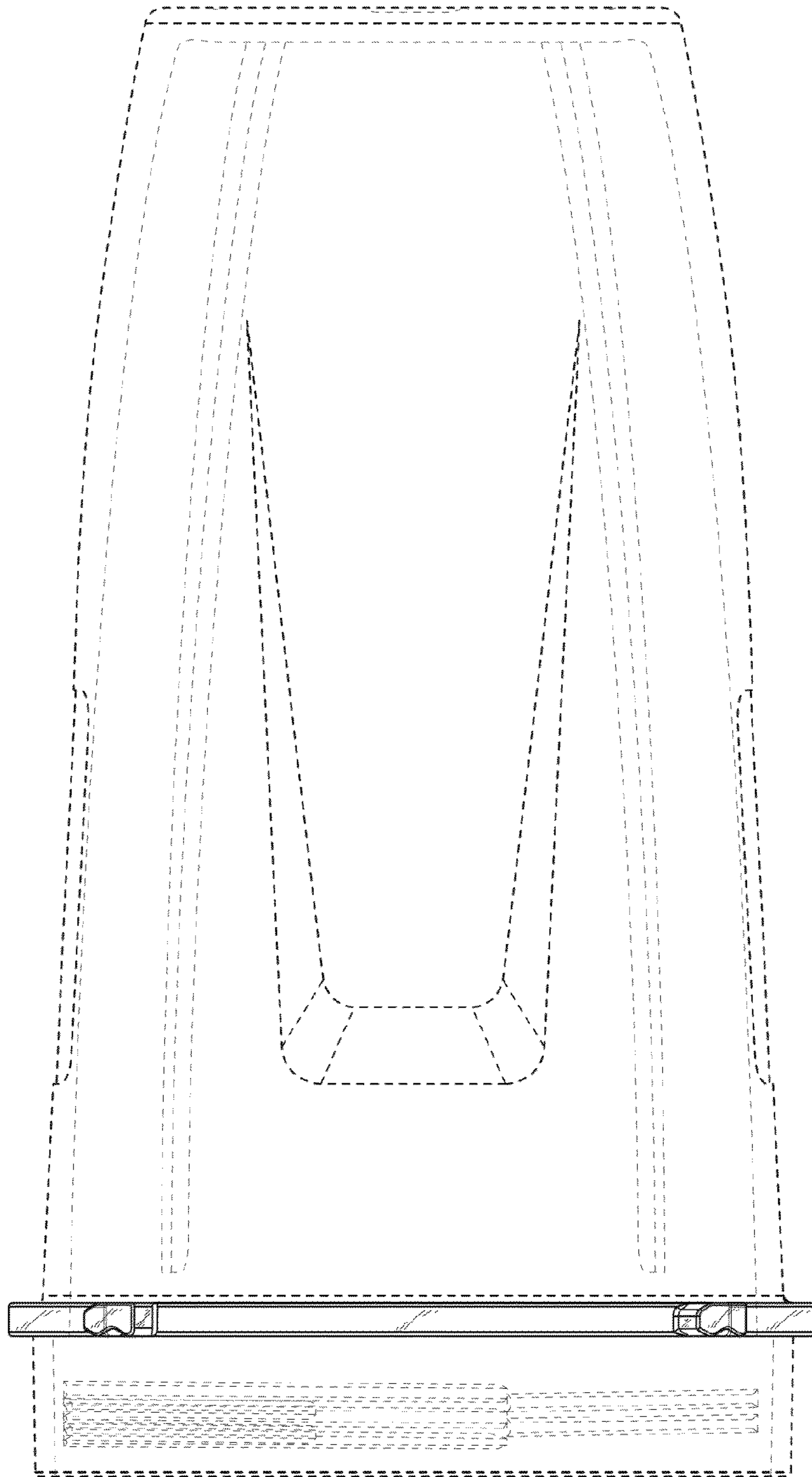


FIG. 3

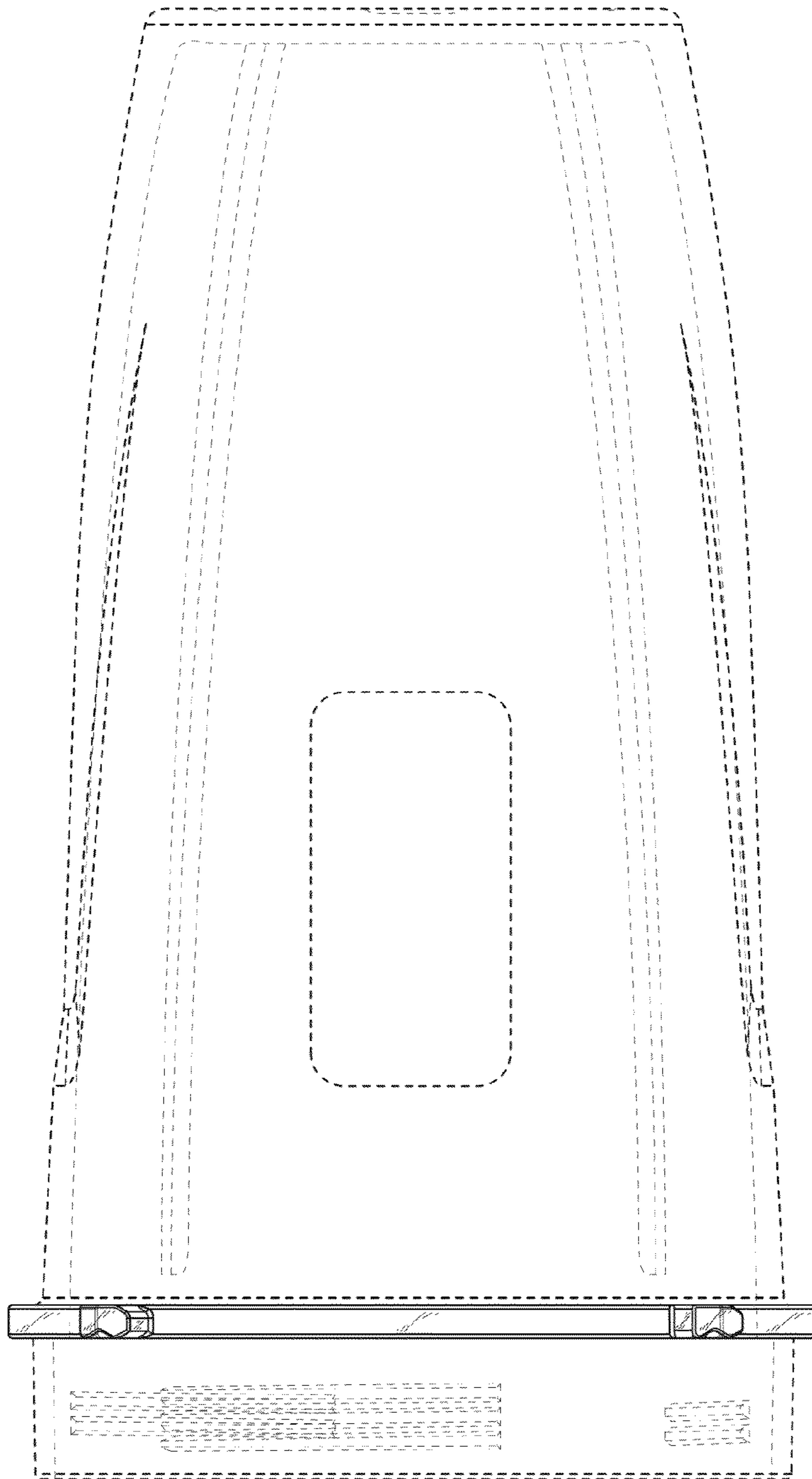


FIG. 4

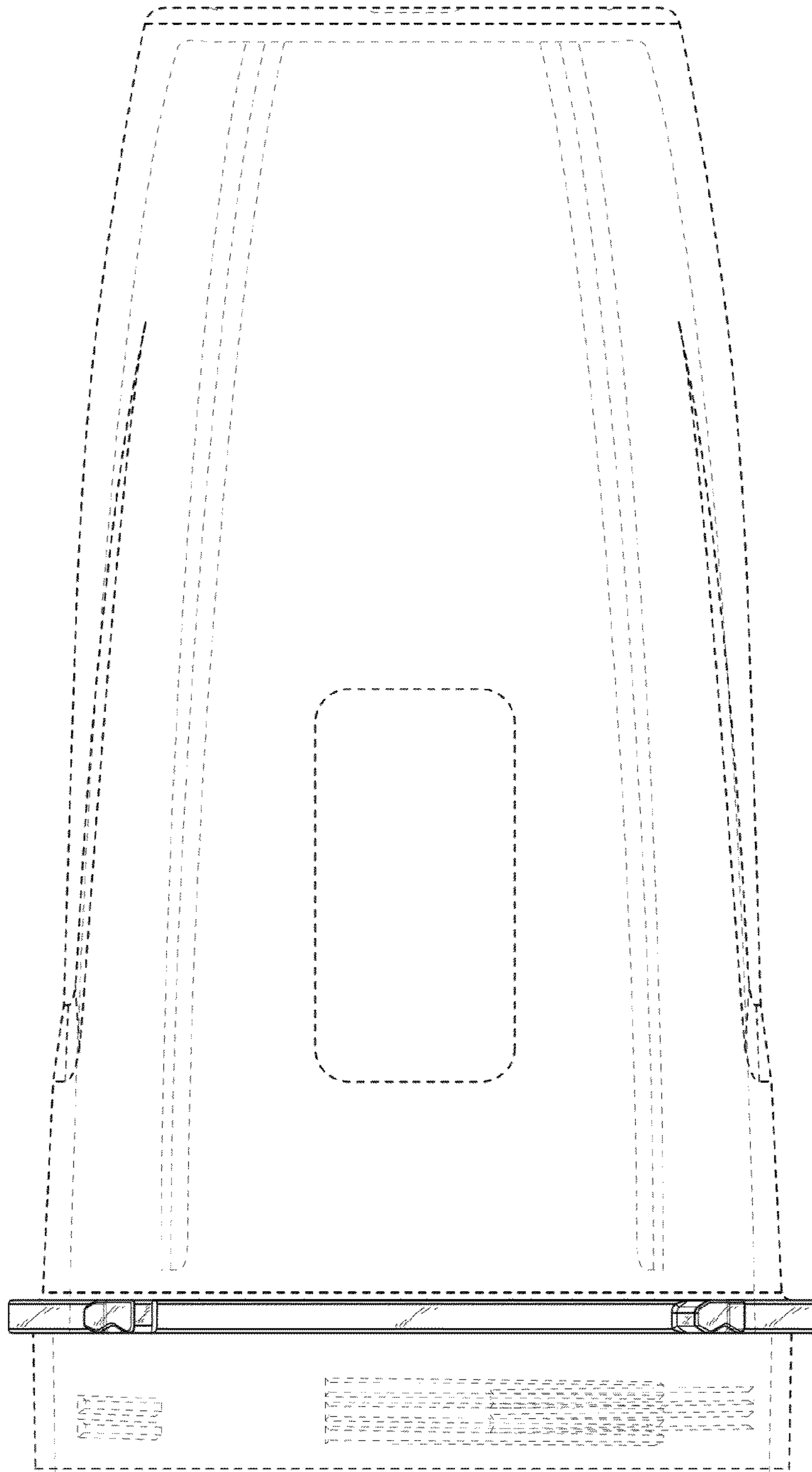


FIG. 5

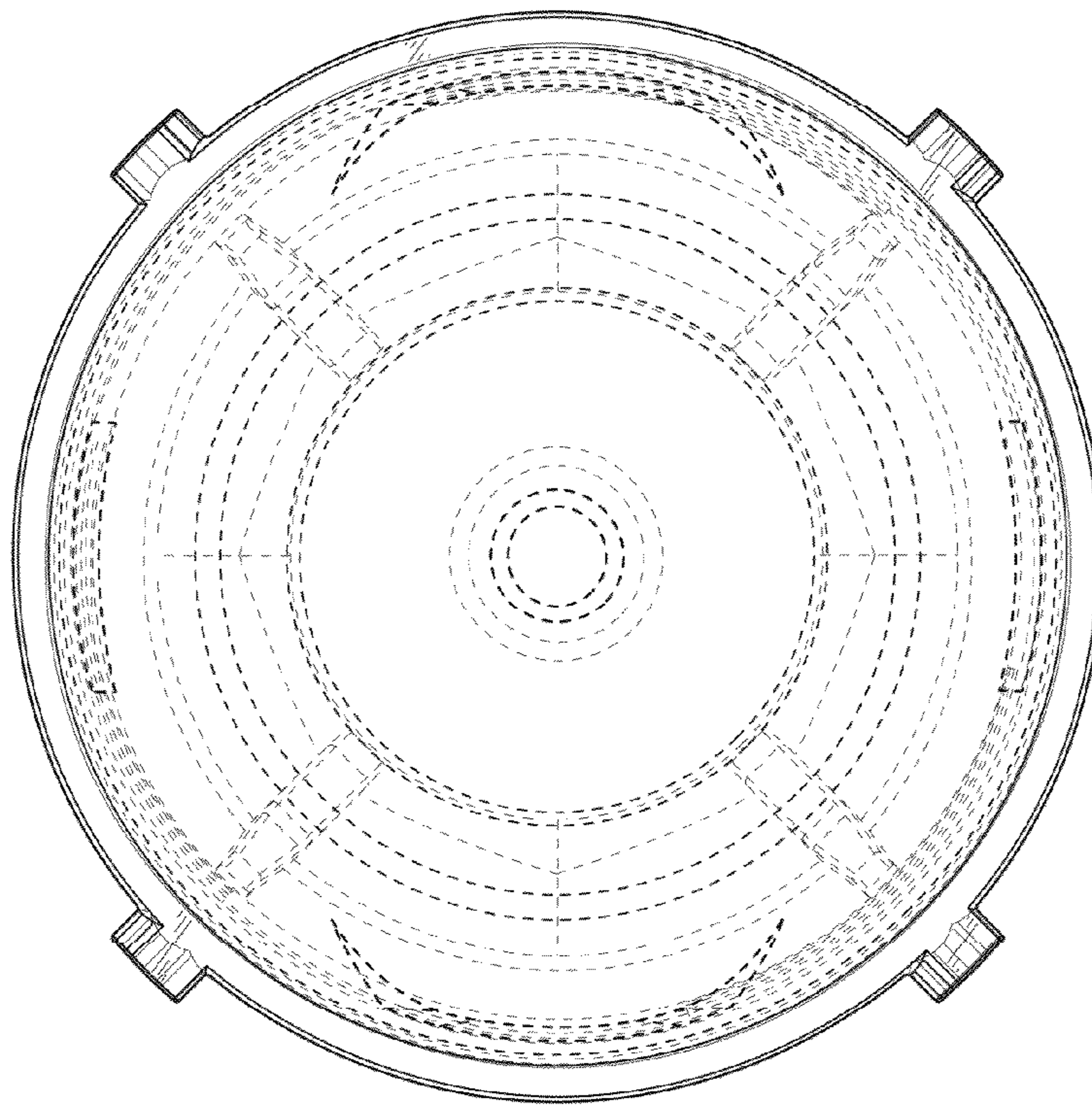


FIG. 6

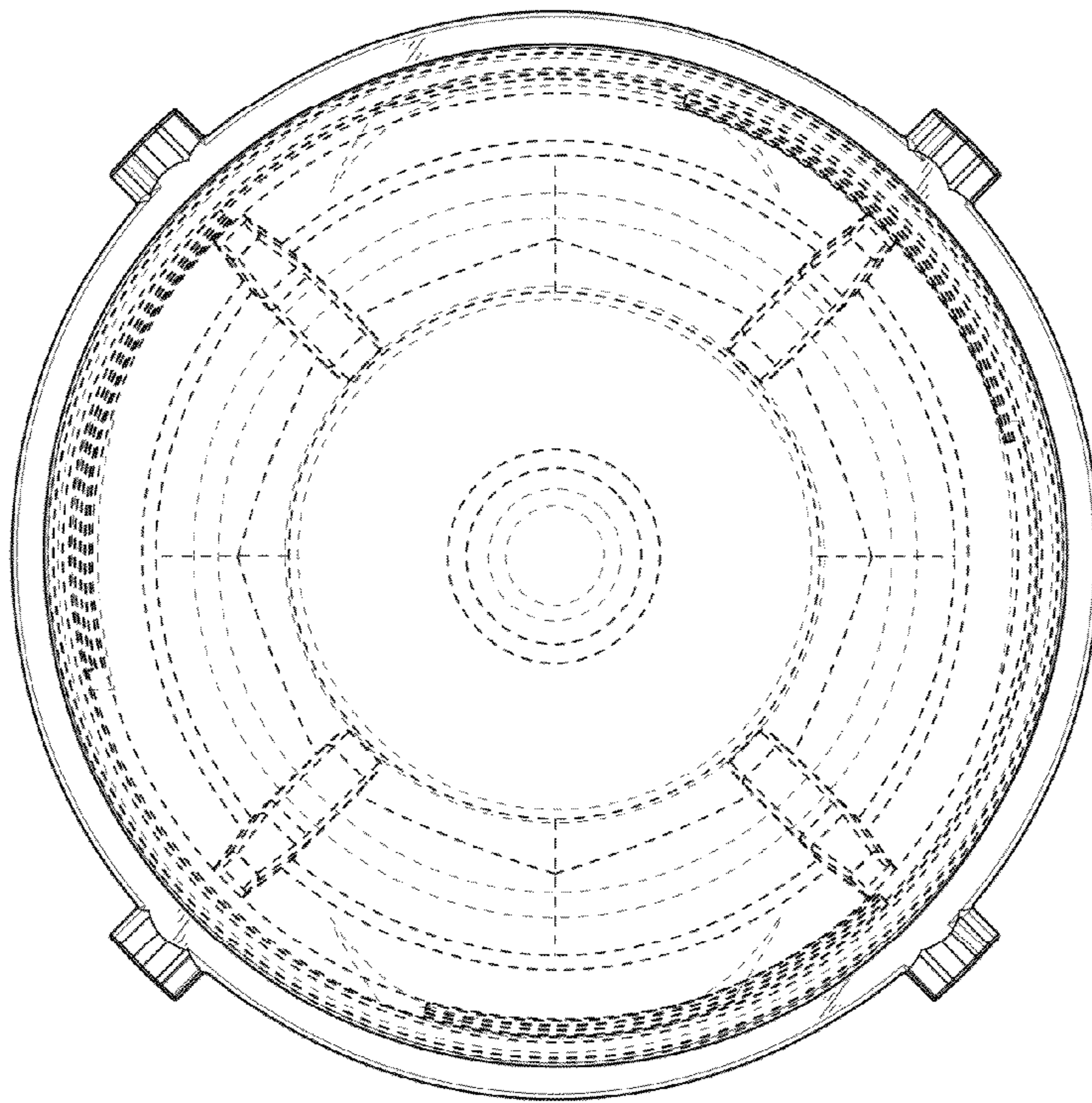


FIG. 7