



US00D760025S

(12) **United States Design Patent**
Potter et al.

(10) **Patent No.:** **US D760,025 S**
(45) **Date of Patent:** **** Jun. 28, 2016**

- (54) **DRIVE UNIT FOR A BLENDER**
- (71) Applicant: **SharkNinja Operating LLC**, Newton, MA (US)
- (72) Inventors: **Daniel Stephen Potter**, Seabrook, NH (US); **Michael Joseph Smith**, Arlington, MA (US); **Devin Joseph Coakley**, Bellingham, MA (US); **Bryan deBlois**, Canton, CT (US)
- (73) Assignee: **SHARKNINJA OPERATING LLC**, Newton, MA (US)
- (**) Term: **14 Years**
- (21) Appl. No.: **29/496,508**
- (22) Filed: **Jul. 14, 2014**
- (51) **LOC (10) Cl.** **07-02**
- (52) **U.S. Cl.**
USPC **D7/412; D7/376; D7/378**
- (58) **Field of Classification Search**
USPC D7/309, 372, 376–386, 412–413, 591, D7/602, 629, 665–666, 669, 679, D7/693–694; D9/504
CPC A21C 1/02; A21C 1/04; A23N 1/00; A23N 1/02; A47G 19/24; A47J 43/04; A47J 43/25; A47J 43/27; A47J 43/042; A47J 43/044; A47J 43/046; A47J 43/075; A47J 43/0722; A47J 43/0727; B01F 3/00; B01F 3/0807; B01F 3/0853; B01F 13/0059; B01F 13/0064; B02C 1/08; B02C 2/04; B02C 4/42; B02C 4/142; B02C 4/143; B02C 4/423; B02C 13/1835; B28C 5/10; B28C 5/12; B28C 5/14; B28C 5/16

See application file for complete search history.

- (56) **References Cited**
U.S. PATENT DOCUMENTS
3,235,130 A * 2/1966 Waither A47G 19/24 222/142.9
D455,324 S * 4/2002 Wright D7/679
D484,371 S * 12/2003 Tang D7/679
D529,758 S 10/2006 Beesley et al.
D560,445 S * 1/2008 Tardif D7/679
D577,944 S * 10/2008 Spiegel D7/309

(Continued)

- OTHER PUBLICATIONS**
Change-A-Bowl Food Chopper (72800); Ace Hardware; Document No. HJ1904179100; Cited in Decision of Registration for Japanese Design Application No. 2014-029288, Mailed Aug. 27, 2015; 1 Page.

(Continued)

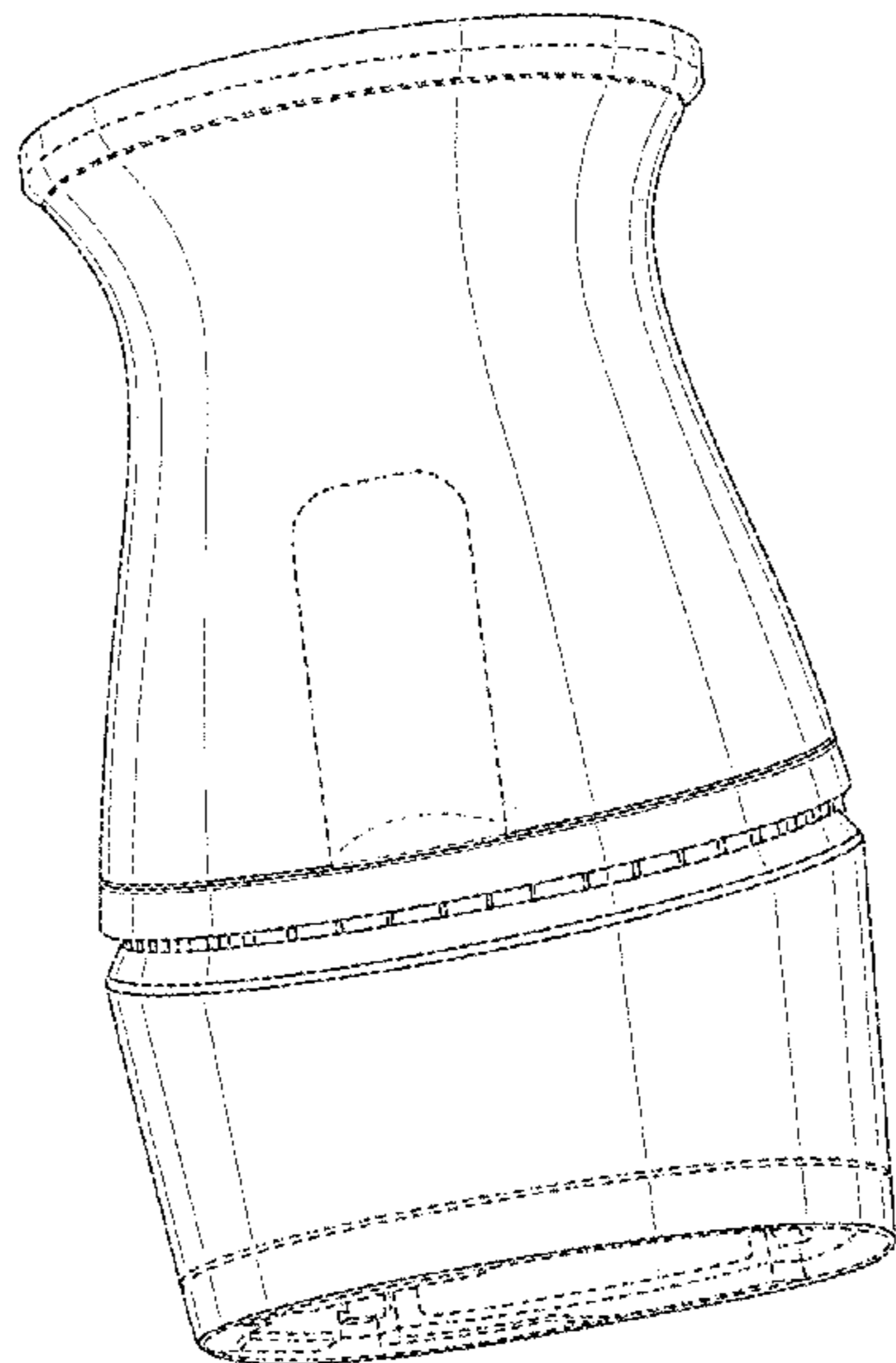
Primary Examiner — Ricky Pham
(74) *Attorney, Agent, or Firm* — Cantor Colburn LLP

(57) **CLAIM**
The ornamental design for a drive unit for a blender, as shown and described.

DESCRIPTION

FIG. 1 is a bottom, front, right side perspective view of a drive unit for a blender showing our new design;
FIG. 2 is a front elevational view of the embodiment of FIG. 1;
FIG. 3 is a rear elevational view of the embodiment of FIG. 1;
FIG. 4 is a left side elevational view of the embodiment of FIG. 1;
FIG. 5 is a right side elevational view of the embodiment of FIG. 1;
FIG. 6 is a top plan view of the embodiment of FIG. 1; and, FIG. 7 is a bottom plan view of the embodiment of FIG. 1.
The broken lines of FIGS. 1-7 represent unclaimed portions of the drive unit for a blender and form no part of the claimed design.

1 Claim, 7 Drawing Sheets



(56)

References Cited

U.S. PATENT DOCUMENTS

D581,226 S * 11/2008 Kestenbaum D7/597
D581,742 S * 12/2008 Krus D7/591
D582,278 S * 12/2008 Bourne D9/504
D609,571 S * 2/2010 Butler D9/504
D622,095 S 8/2010 Metaxatos et al.
D632,523 S 2/2011 Metaxatos et al.
D644,488 S 9/2011 Brinckerhoff et al.
D644,876 S 9/2011 Brinckerhoff et al.
D654,317 S 2/2012 Brinckerhoff et al.
D669,304 S * 10/2012 Bock D7/376
D673,425 S 1/2013 Brinckerhoff et al.

D685,638 S * 7/2013 DeMarco D4/116
D687,259 S * 8/2013 Hauser D7/376
D703,054 S * 4/2014 DeMarco D9/454
2010/0005977 A1 1/2010 Menashes et al.

OTHER PUBLICATIONS

Decision of Registration and Notice; Japanese Design Application No. 2014-029288; Mailing Date: Aug. 27, 2015; 4 Pages.
WIPO International Designs Gazette, No. Jul. 2003, (Aug. 29, 2003), DM/063 939 (No. HH15530515); Cited in Decision of Registration for Japanese Design Application No. 2014-029288, Mailed Aug. 27, 2015; 8 Pages.

* cited by examiner

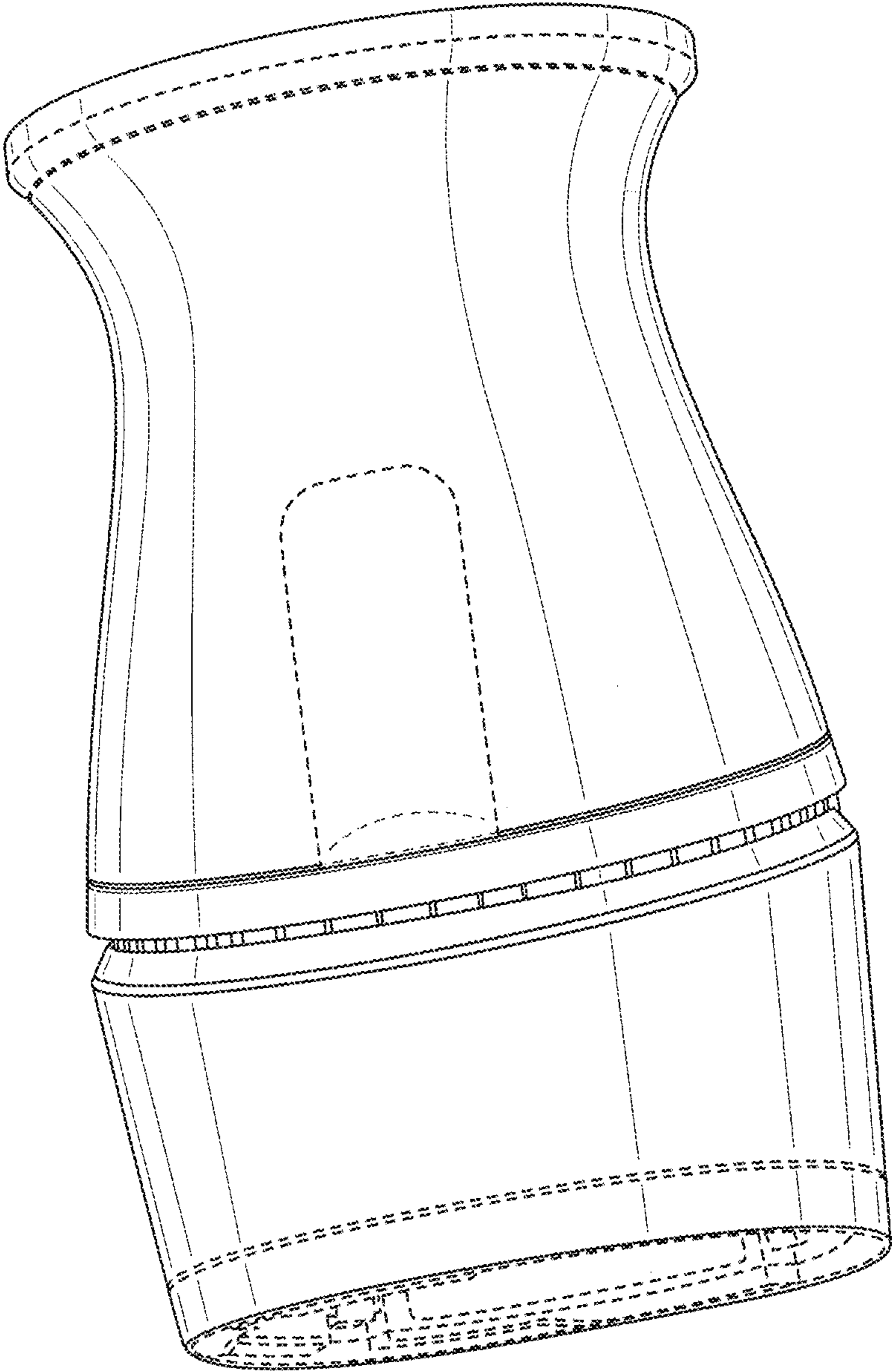


FIG. 1

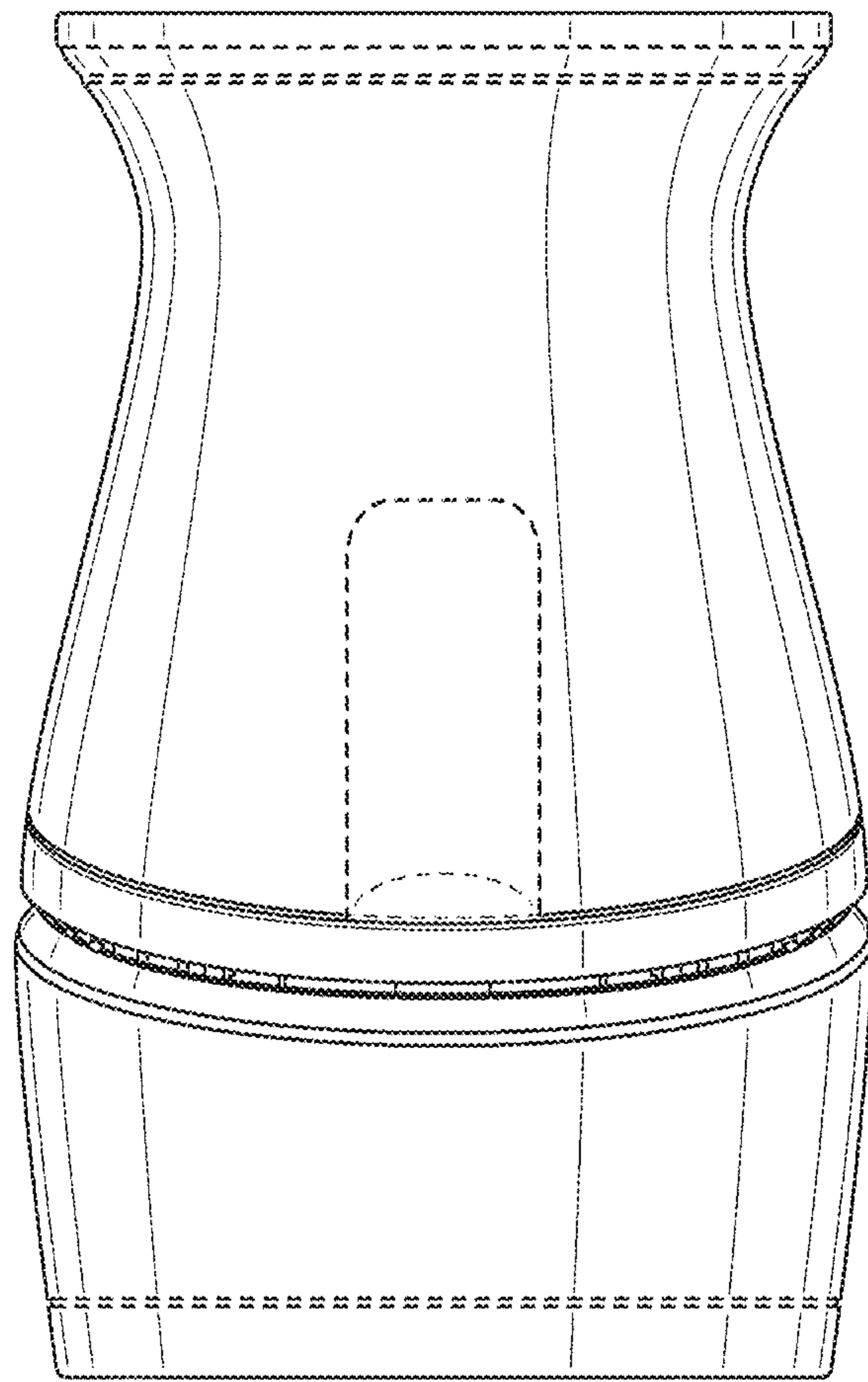


FIG. 2

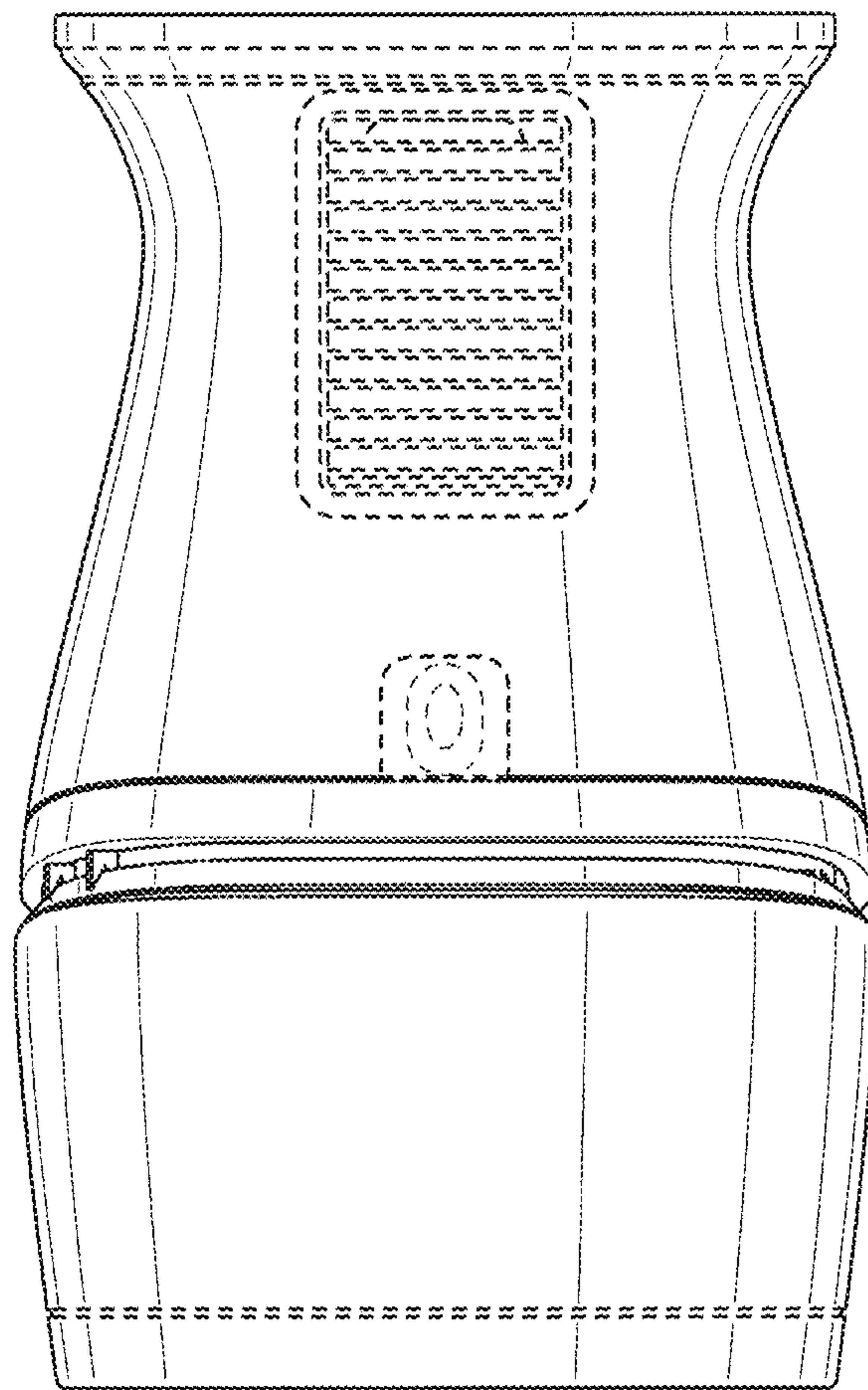


FIG. 3

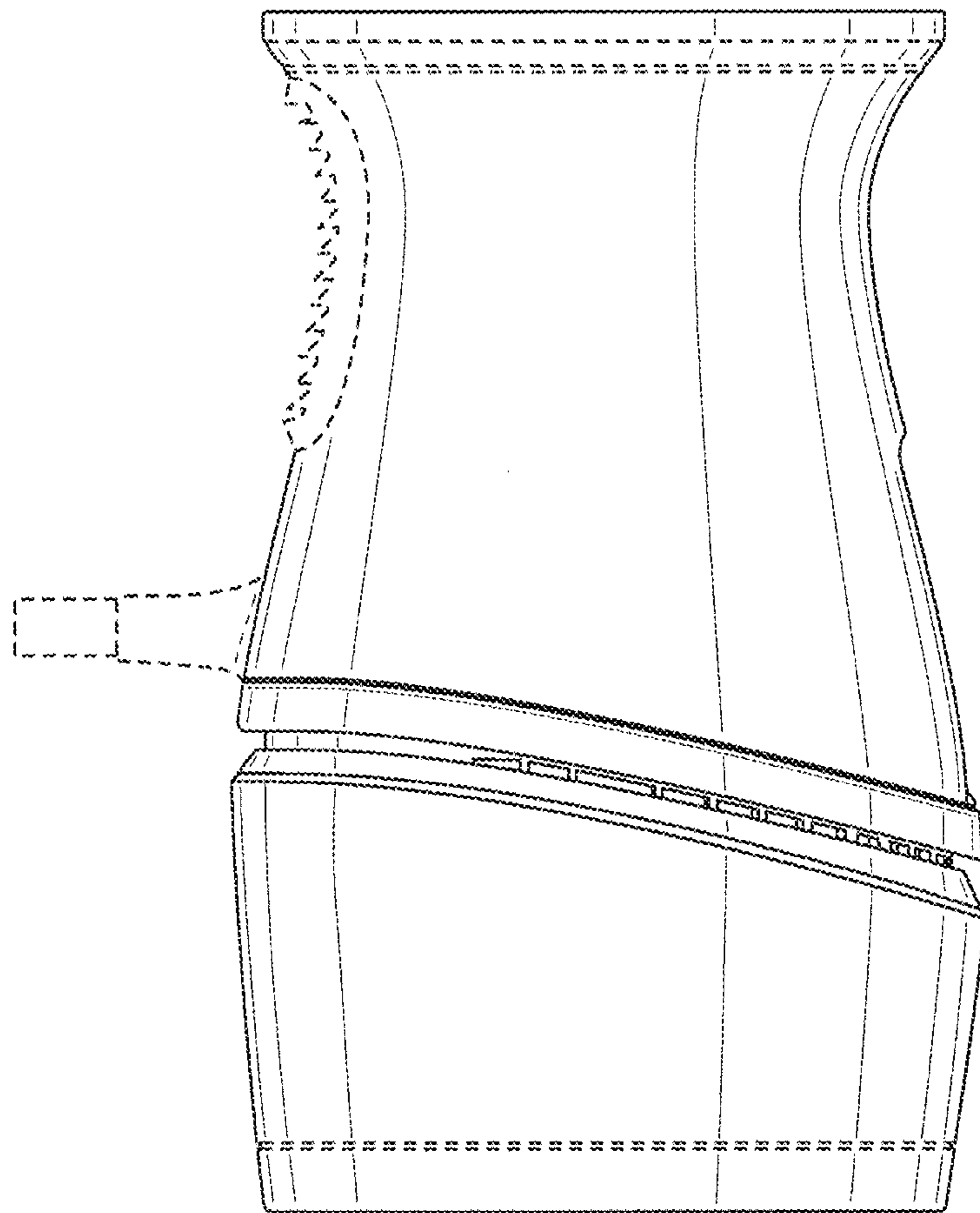


FIG. 4

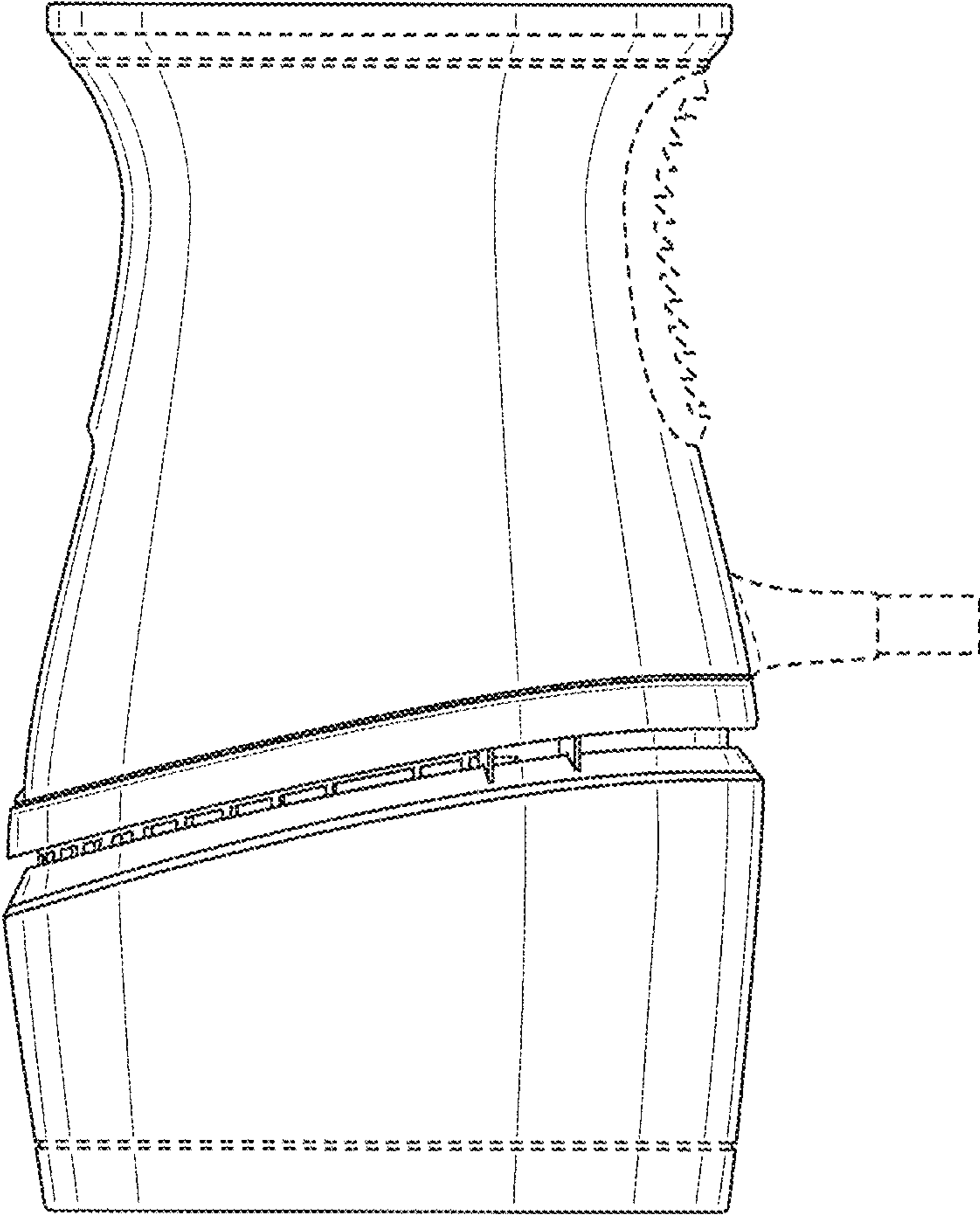


FIG. 5

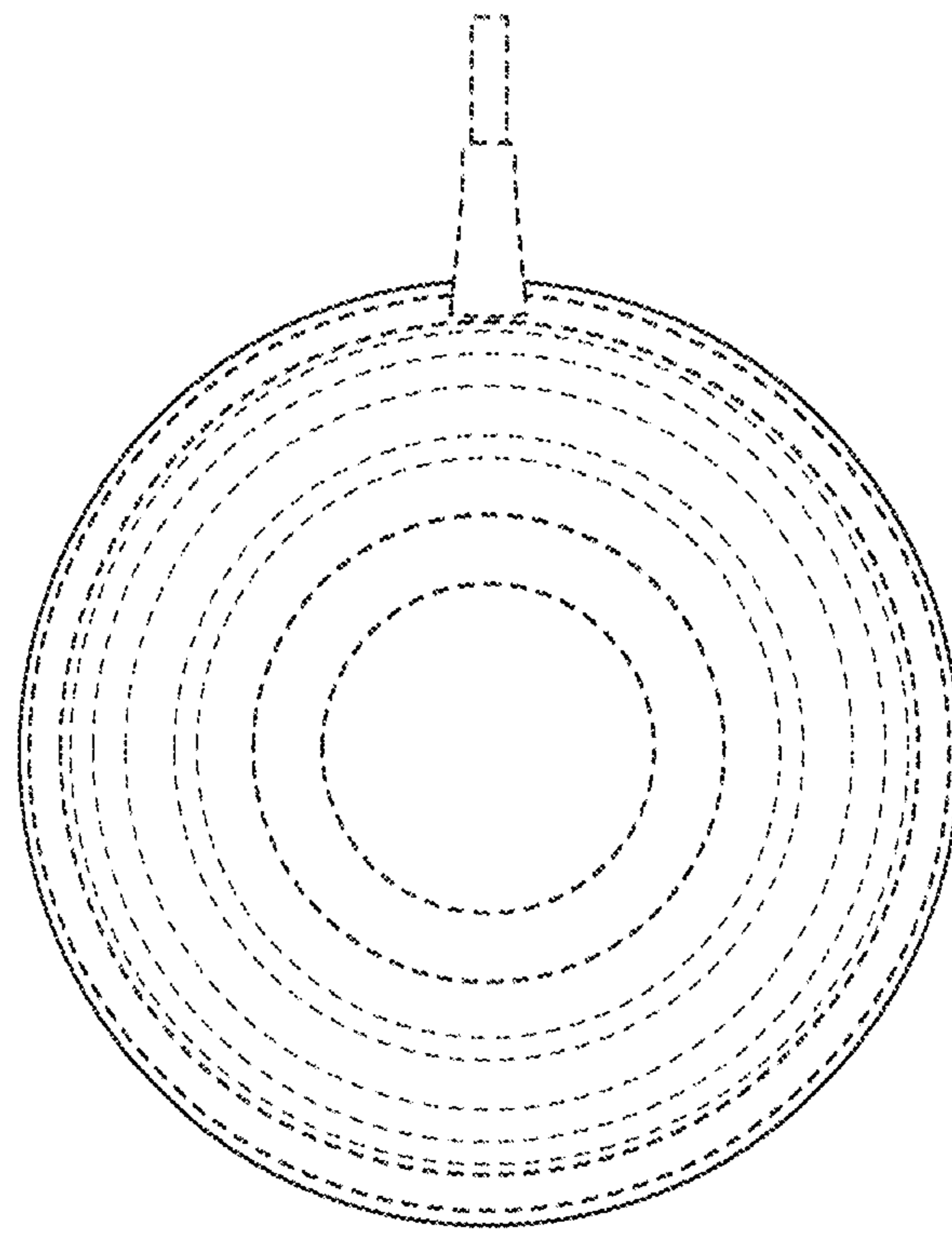


FIG. 6

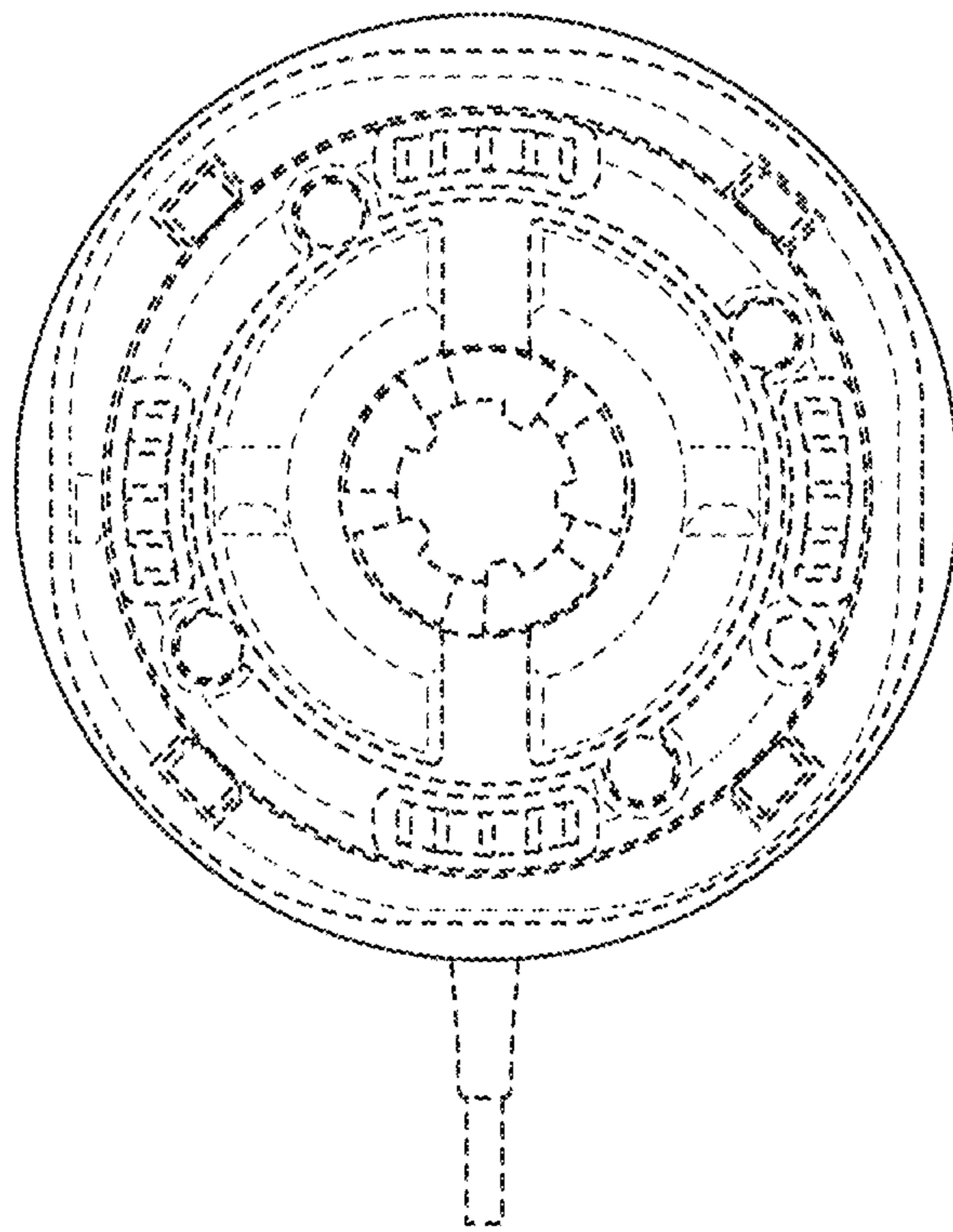


FIG. 7