

US00D760024S

(12) **United States Design Patent**
Funnell, II et al.

(10) **Patent No.:** **US D760,024 S**
(45) **Date of Patent:** **** Jun. 28, 2016**

(54) **RANGE AND/OR COMPONENTS THEREOF**

126/39 R, 39 F, 39 C, 39 B, 211, 214 R;
219/391-392, 395

(71) Applicant: **BSH Home Appliances Corporation**,
Irvine, CA (US)

See application file for complete search history.

(72) Inventors: **Richard W. Funnell, II**, Corona del
Mar, CA (US); **Jonathan Grey**,
Huntersville, NC (US); **Graham**
Sadtler, Huntington Beach, CA (US)

(56) **References Cited**

U.S. PATENT DOCUMENTS

D592,007 S * 5/2009 Corona D7/340
D605,456 S * 12/2009 Bengtson D7/340
D646,921 S * 10/2011 Kim D7/340
D655,128 S * 3/2012 Kim D7/340

(73) Assignee: **BSH Home Appliances Corporation**,
Irvine, CA (US)

* cited by examiner

(**) Term: **15 Years**

Primary Examiner — Catheri Oliver-Garcia

(21) Appl. No.: **29/536,196**

(74) *Attorney, Agent, or Firm* — James E. Howard; Andre
Pallapies

(22) Filed: **Aug. 14, 2015**

(57) **CLAIM**

The ornamental design for a range and/or components
thereof, as shown and described.

Related U.S. Application Data

DESCRIPTION

(62) Division of application No. 29/504,223, filed on Oct.
3, 2014, now Pat. No. Des. 742,688, which is a division
of application No. 29/472,345, filed on Nov. 12, 2013,
now Pat. No. Des. 721,919, which is a division of
application No. 29/450,599, filed on Mar. 20, 2013,
now Pat. No. Des. 701,074, which is a division of
application No. 29/426,480, filed on Jul. 6, 2012, now
Pat. No. Des. 682,602, which is a division of
application No. 29/398,035, filed on Jul. 26, 2011, now
Pat. No. Des. 669,729.

FIG. 1 is a front perspective view of a range according to our
new ornamental design;

FIG. 2 is a front view thereof;

FIG. 3 is a right side view thereof; and,

FIG. 4 is a left side view thereof.

The broken lines represent environment or structure of the
kitchen appliance and do not form any part of the claimed
design.

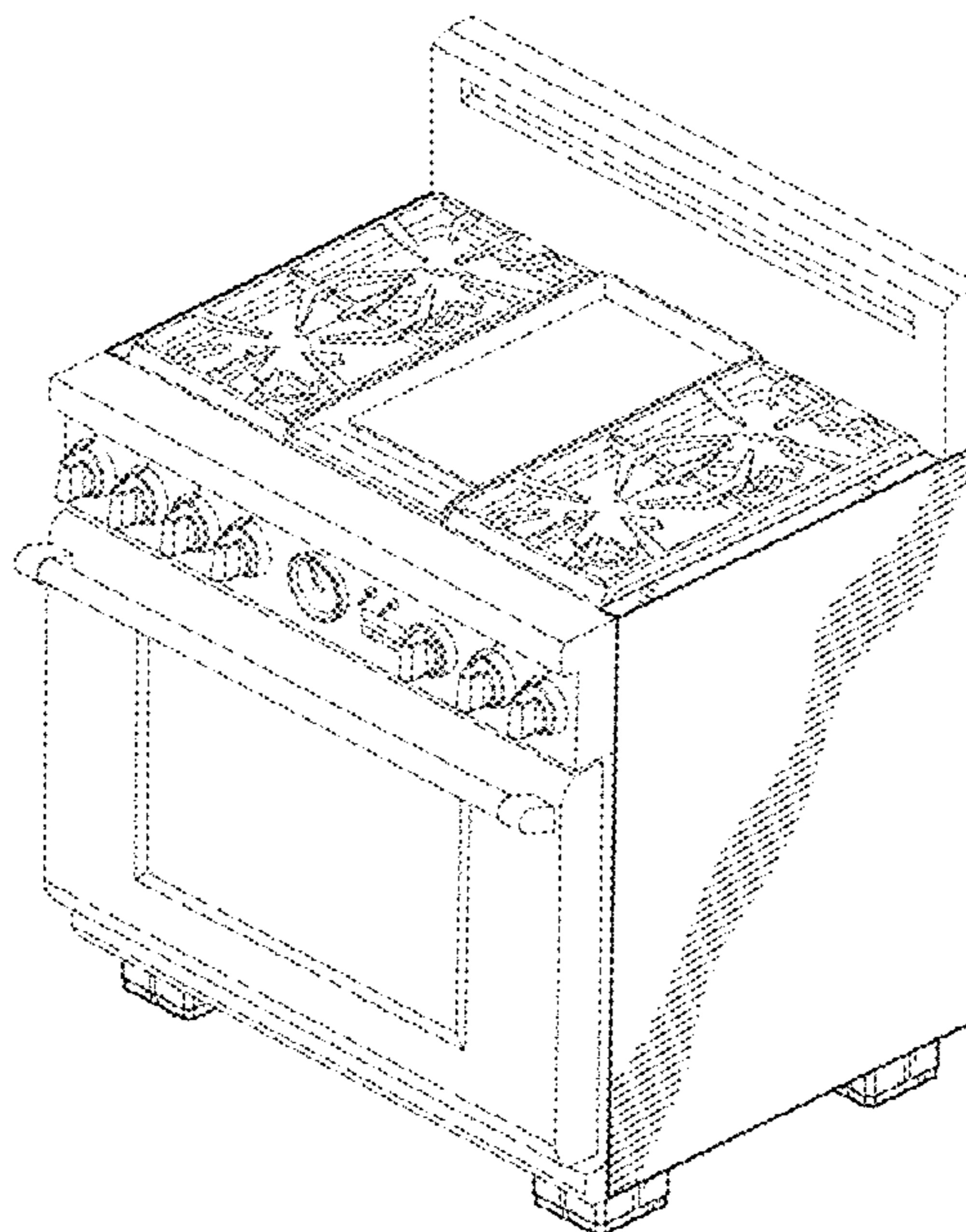
Throughout the drawings, various views may not be pro-
vided, as the components in these views are unornamented or
the ornamentation in these views is simply unclaimed.

(51) **LOC (10) Cl.** **07-02**

(52) **U.S. Cl.**
USPC **D7/405**

(58) **Field of Classification Search**
USPC D7/339-341, 346-349, 402, 406-408;

1 Claim, 3 Drawing Sheets



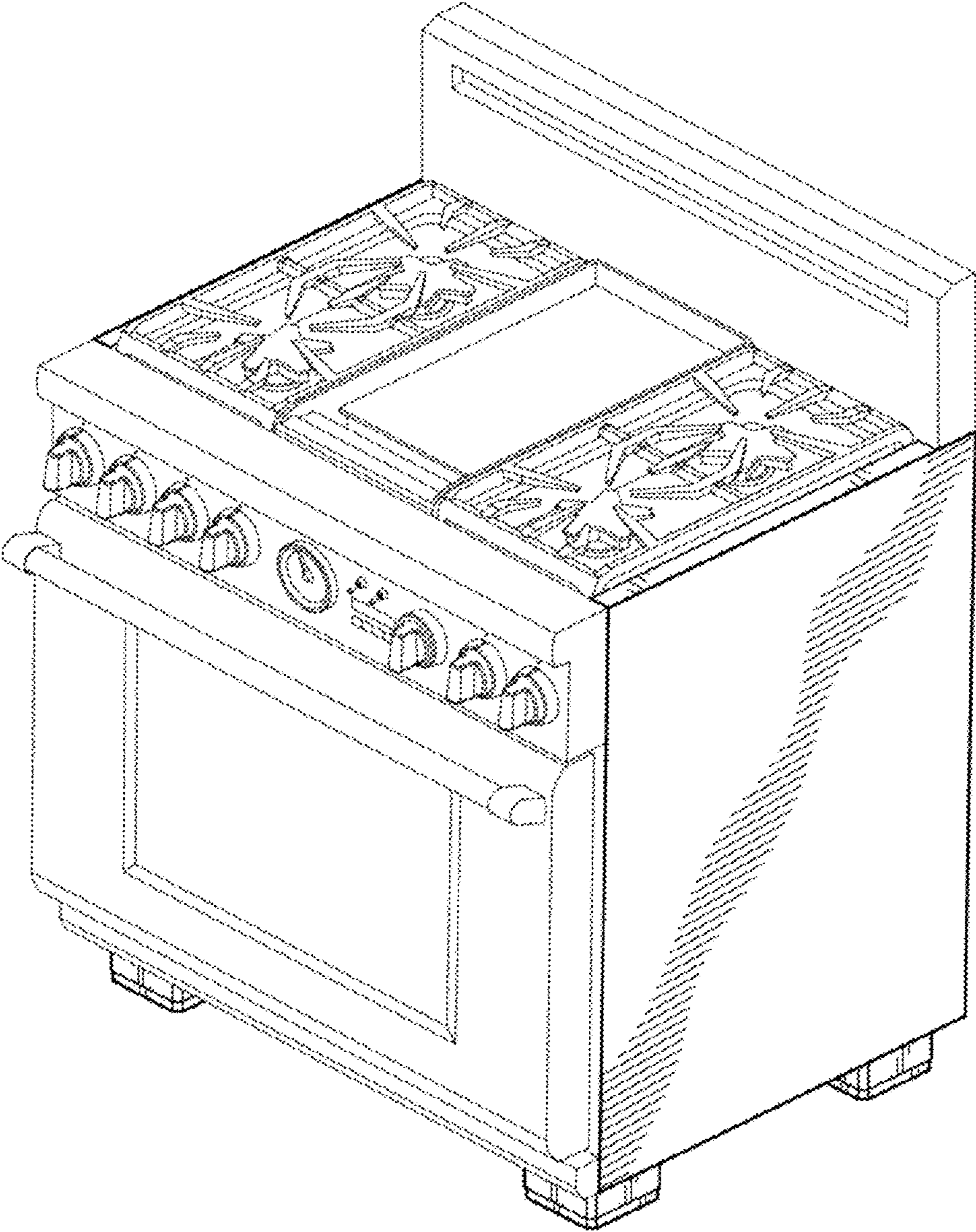


Fig. 1

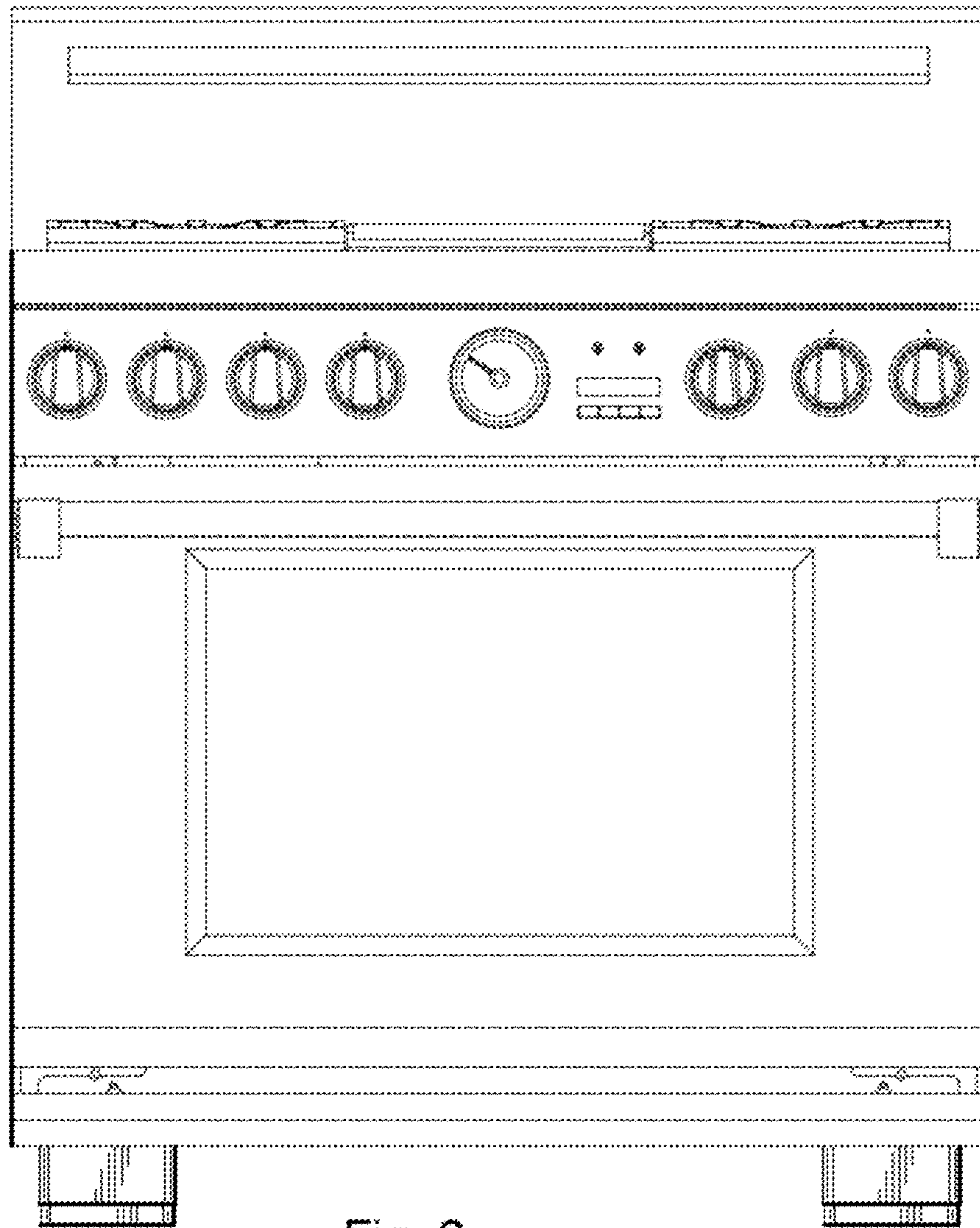


Fig. 2

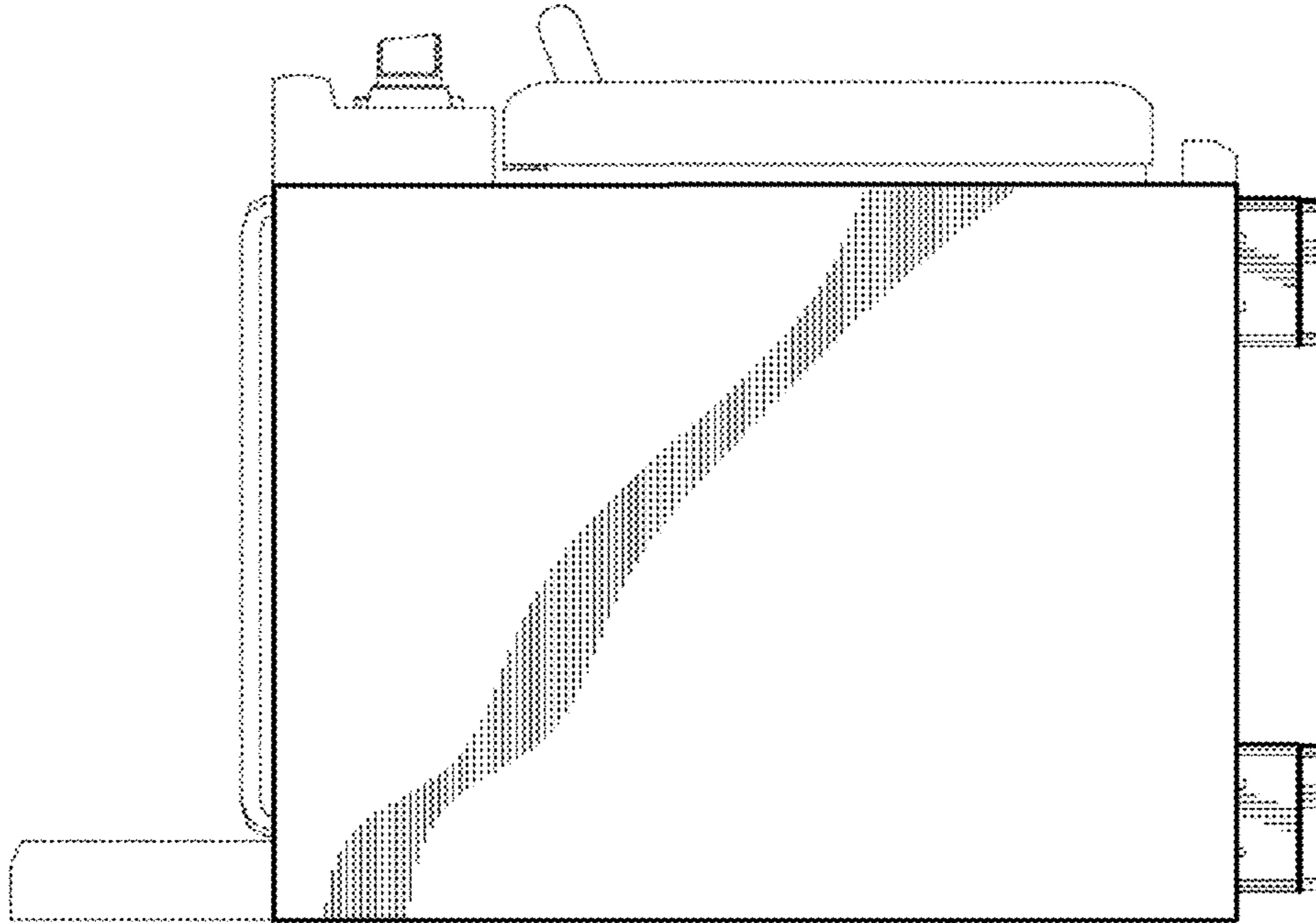


Fig. 4

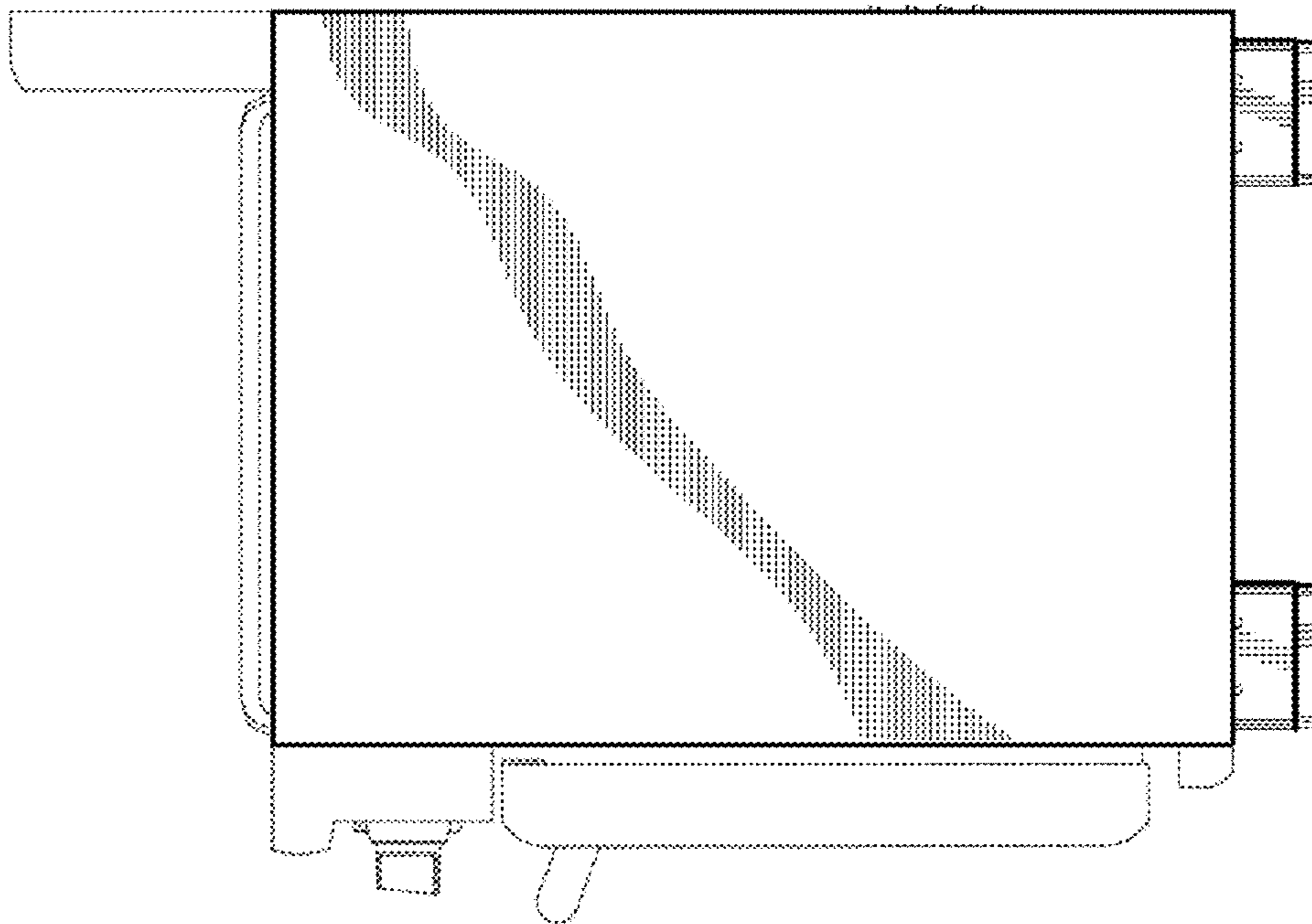


Fig. 3