



US00D760023S

(12) **United States Design Patent**
Barquin et al.

(10) **Patent No.:** **US D760,023 S**
(45) **Date of Patent:** **** Jun. 28, 2016**

(54) **GRILL**

(71) Applicant: **Spectrum Brands, Inc.**, Middleton, WI (US)

(72) Inventors: **Javier Barquin**, Madison, WI (US);
Claudia Del Conte, Madison, WI (US);
Andres Moline, Miami, FL (US)

(73) Assignee: **Spectrum Brands, Inc.**, Middleton, WI (US)

(**) Term: **14 Years**

(21) Appl. No.: **29/519,578**

(22) Filed: **Mar. 6, 2015**

(51) **LOC (10) Cl.** **07-02**

(52) **U.S. Cl.**
USPC **D7/403**

(58) **Field of Classification Search**
USPC D7/323-339, 352-353, 402-403, 609,
D7/501.1-501.4; 126/25 R, 41 R, 50;
D9/428, 429; D6/691.4, 691.5, 692.3;
D23/403

CPC ... A47J 37/0611; A47J 37/06; A47J 37/0617;
A47J 37/07-37/0713; A47J 37/0763

See application file for complete search history.

(56) **References Cited**

U.S. PATENT DOCUMENTS

D183,231 S *	7/1958	Turner	D23/403
D207,935 S *	6/1967	Lovett	D23/403
5,524,610 A *	6/1996	Clark	F24J 2/02
				126/25 R
D520,803 S *	5/2006	Lu	D7/335
D520,804 S *	5/2006	Lu	D7/335
D575,084 S *	8/2008	Jehs	D6/708.17

D579,239 S *	10/2008	Massaud	D6/691.4
D612,477 S *	3/2010	Simpson	D23/403
D702,986 S *	4/2014	Tomalin-Reeves	D7/332
D718,558 S *	12/2014	Chipman	D6/692.3

OTHER PUBLICATIONS

George Foreman Indoor/Outdoor Grills website, <http://www.georgeformancooking.com/products/indoor-outdoor-grills.aspx/?page=1&filter.brand=George%20Foreman&filter.categorytier2=Indoor/Outdoor%20Grills>.

* cited by examiner

Primary Examiner — Susan Bennett Hattan

Assistant Examiner — Brett Miller

(74) *Attorney, Agent, or Firm* — Banner & Witcoff, Ltd.

(57) **CLAIM**

The ornamental design for a grill, as shown and described.

DESCRIPTION

Applicant specifically incorporated by reference the entire contents of U.S. patent application Ser. No. 29/519,568, filed on Mar. 5, 2015.

FIG. 1 is a front perspective view of a grill showing our new design;

FIG. 2 is a front view thereof;

FIG. 3 is a rear view thereof;

FIG. 4 is a right side view thereof;

FIG. 5 is a left side view thereof;

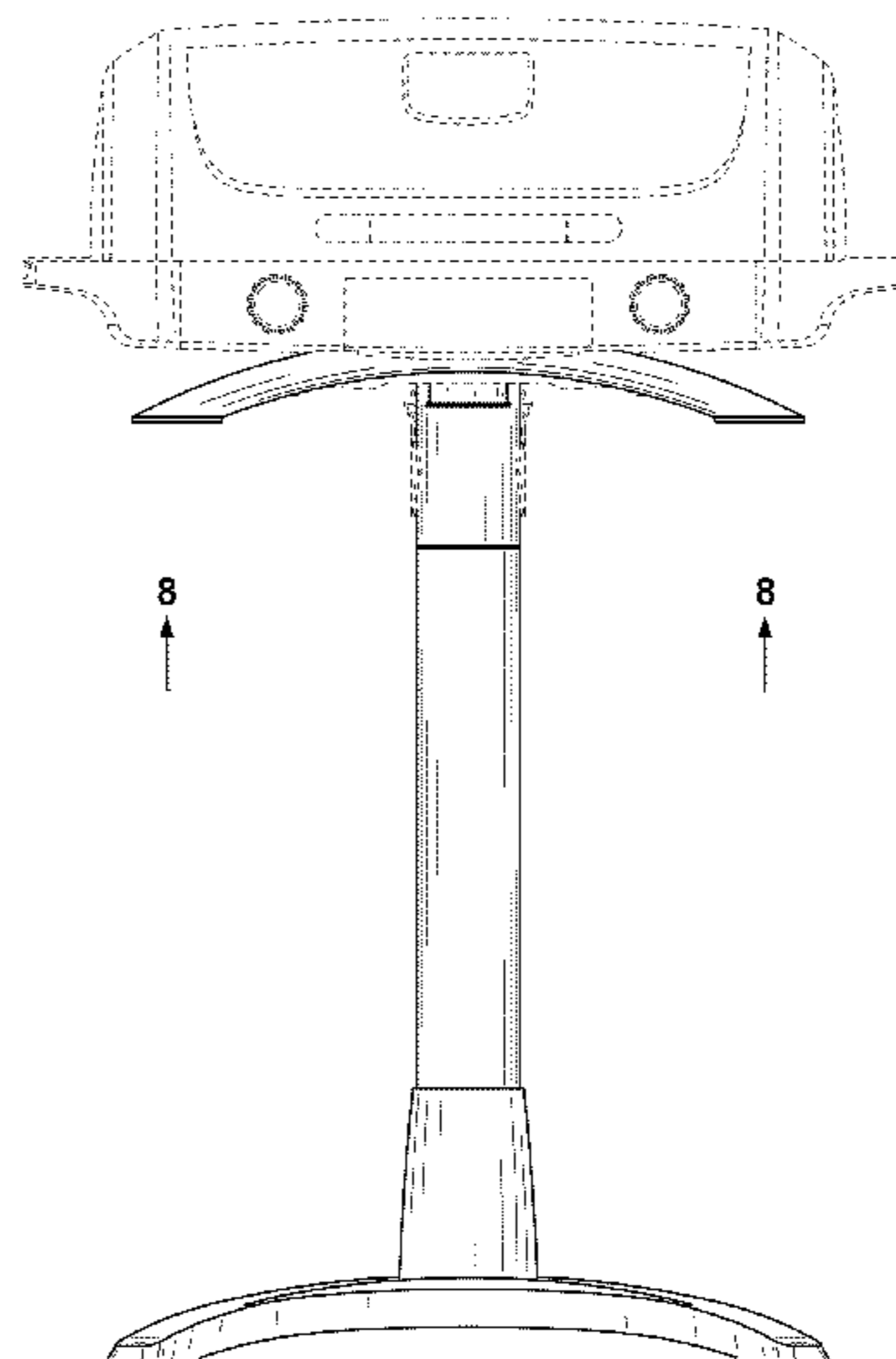
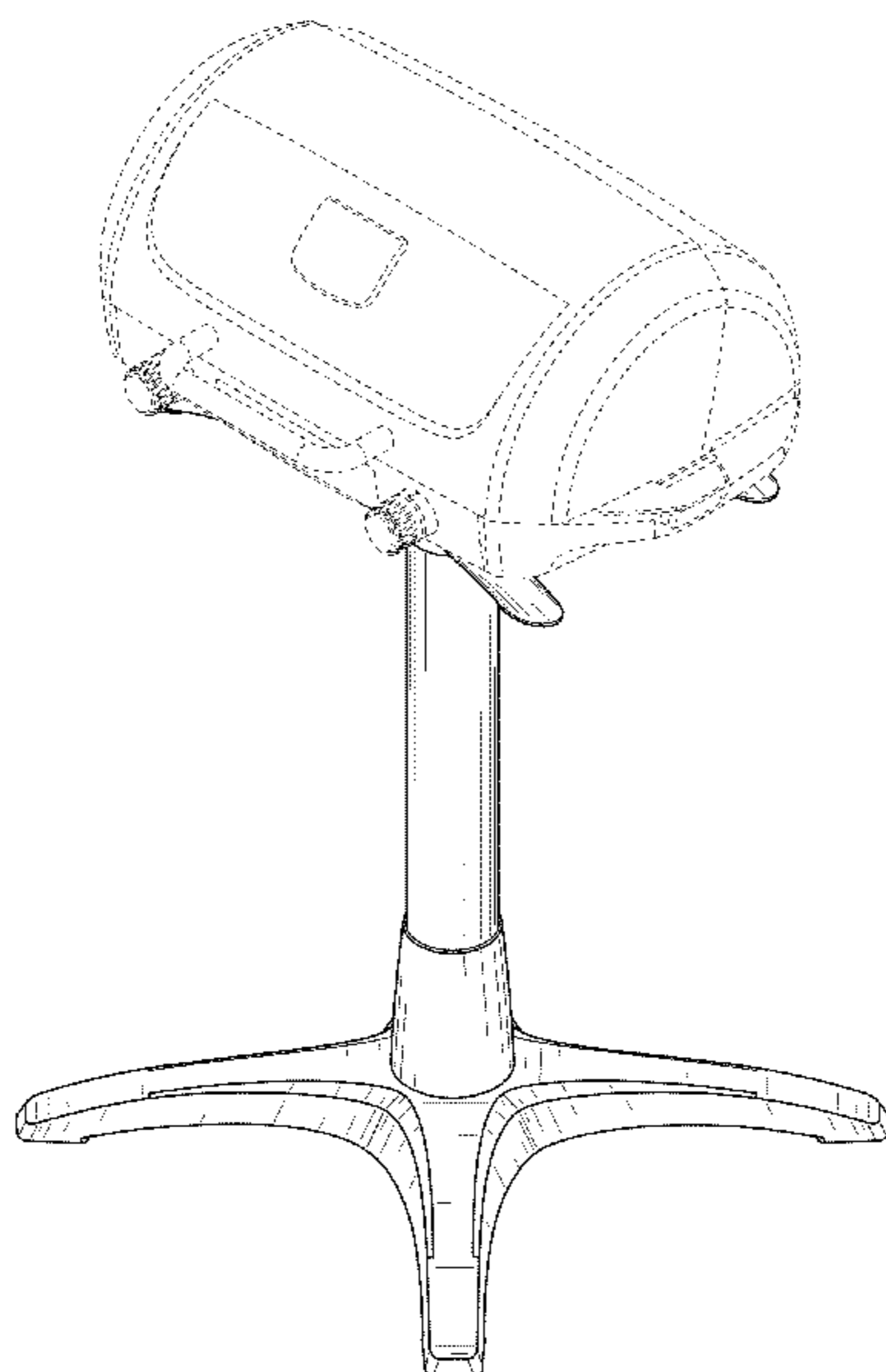
FIG. 6 is top view thereof;

FIG. 7 is a bottom view thereof; and,

FIG. 8 is a cross-sectional view taken through line 8-8 of FIG. 2.

The broken line showing of various elements of the grill are for environmental purposes only and form no part of the claimed design.

1 Claim, 7 Drawing Sheets



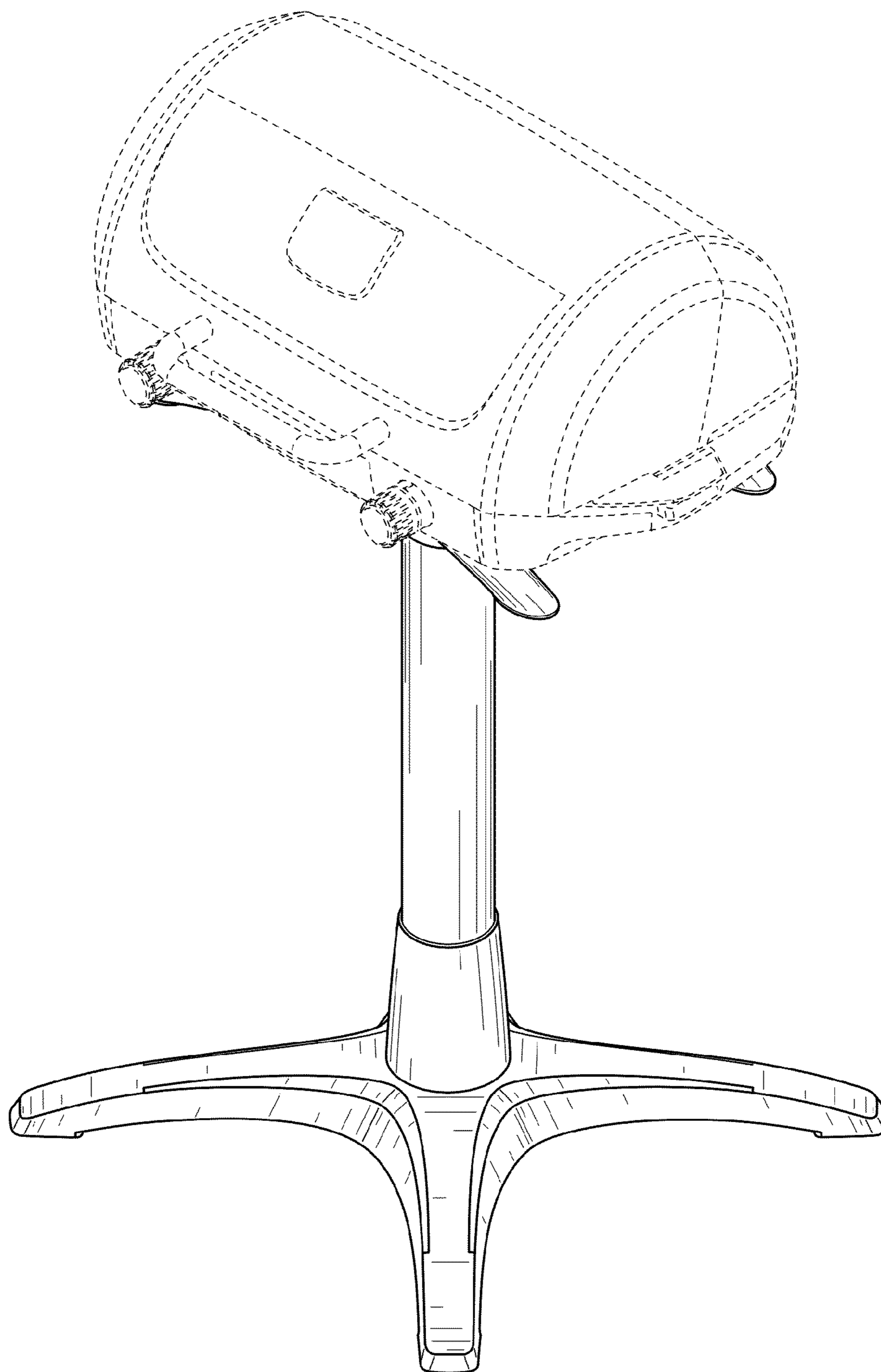


FIG. 1

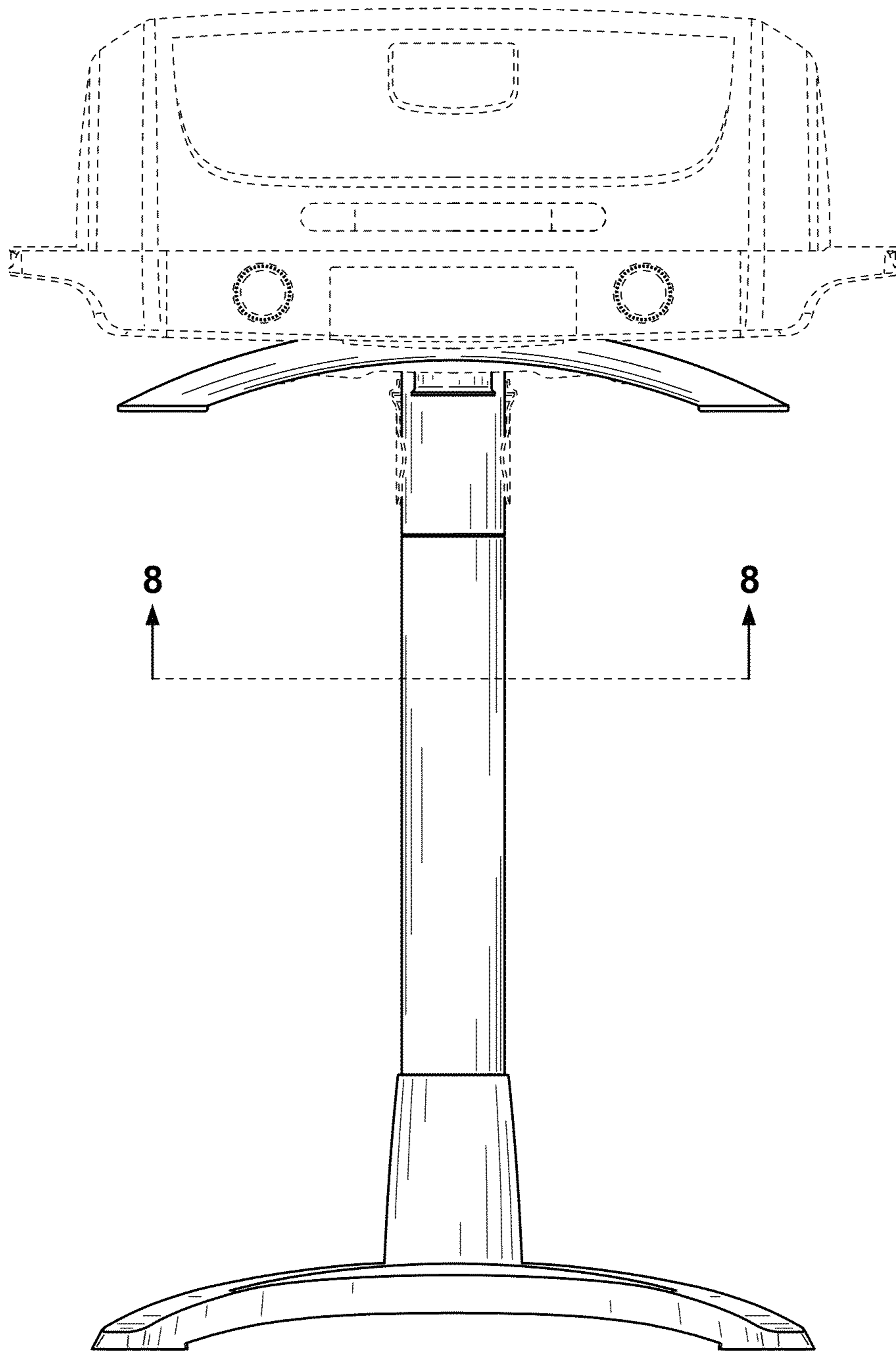


FIG. 2

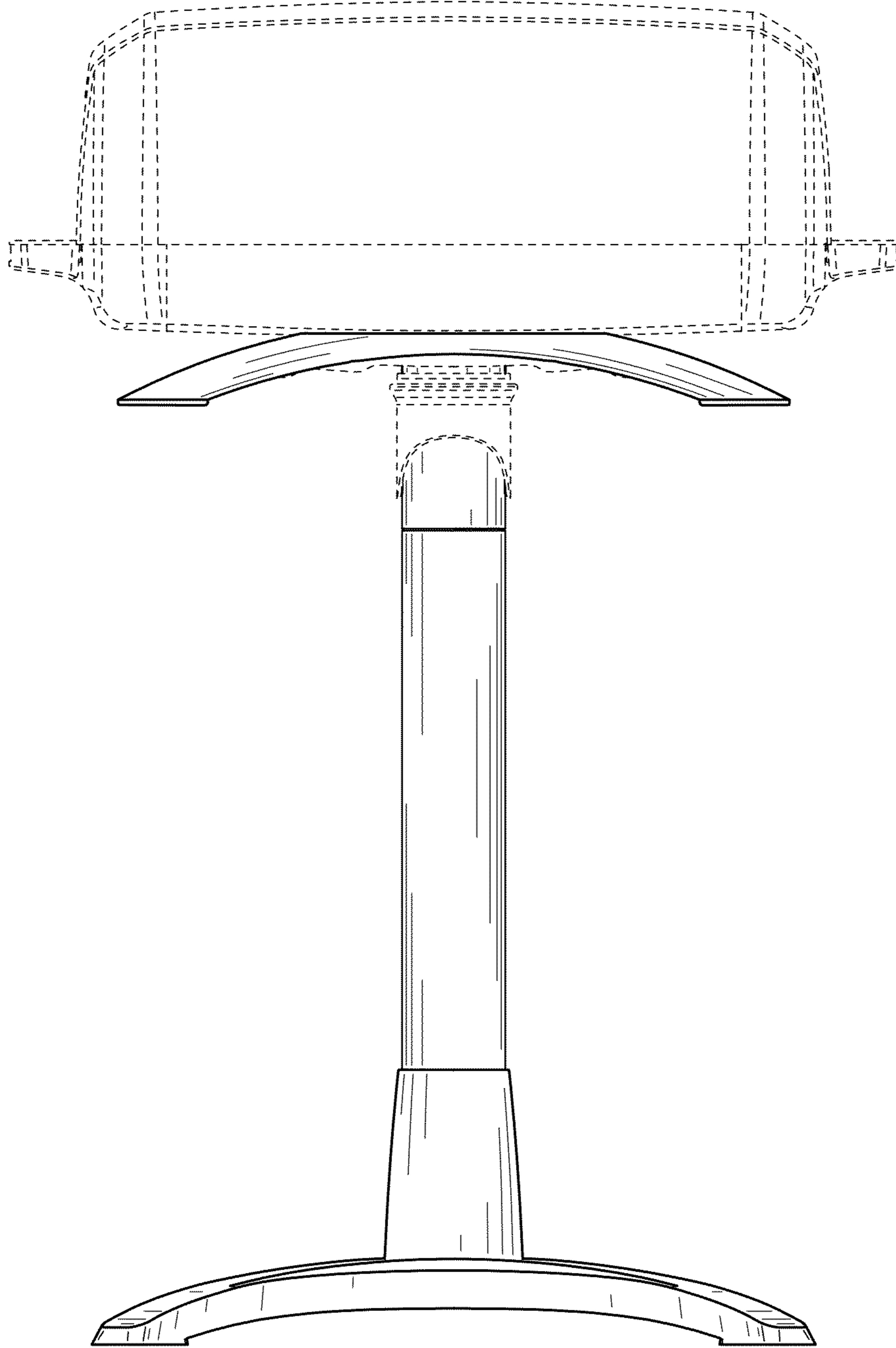


FIG. 3

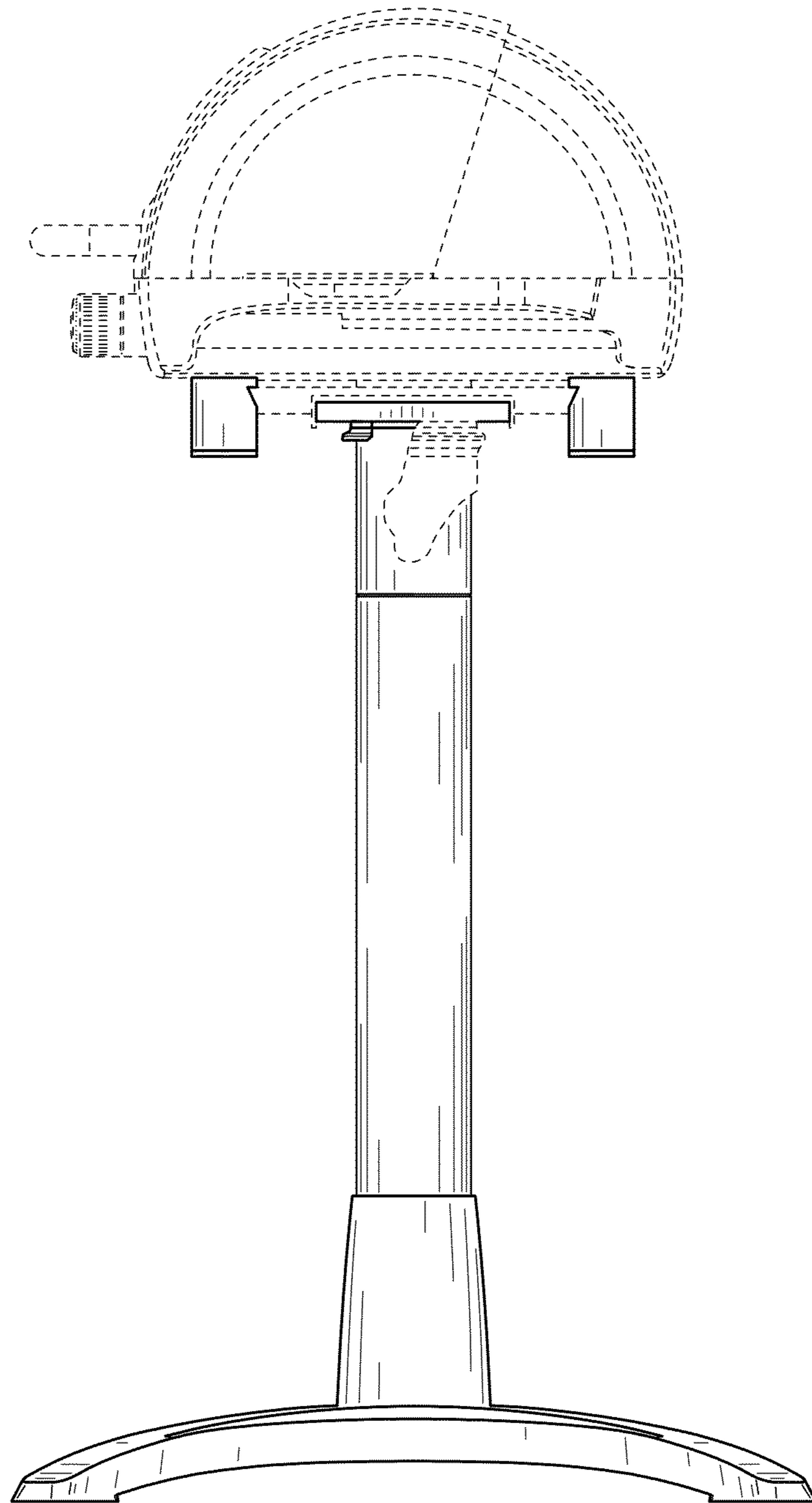


FIG. 4

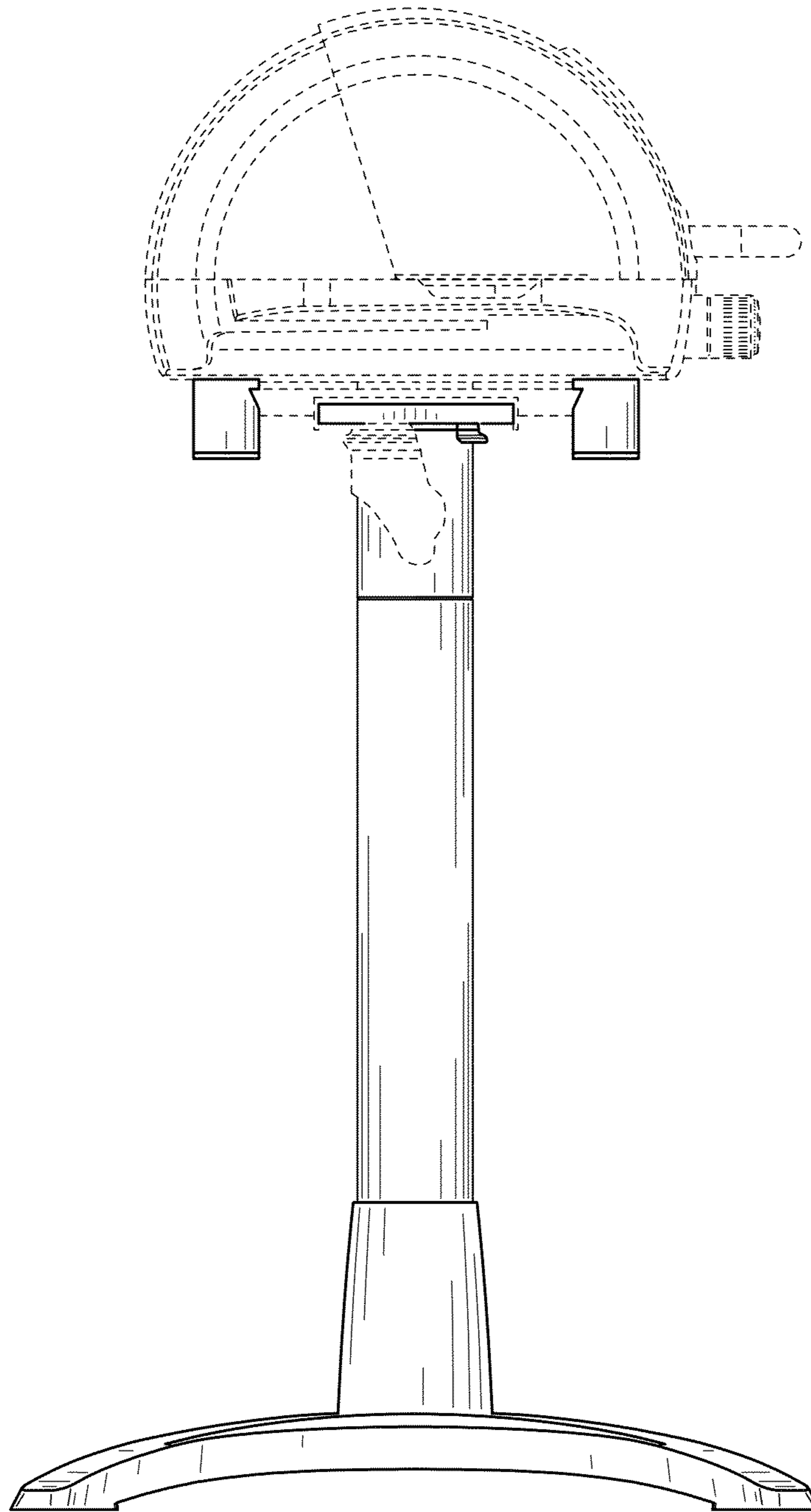


FIG. 5

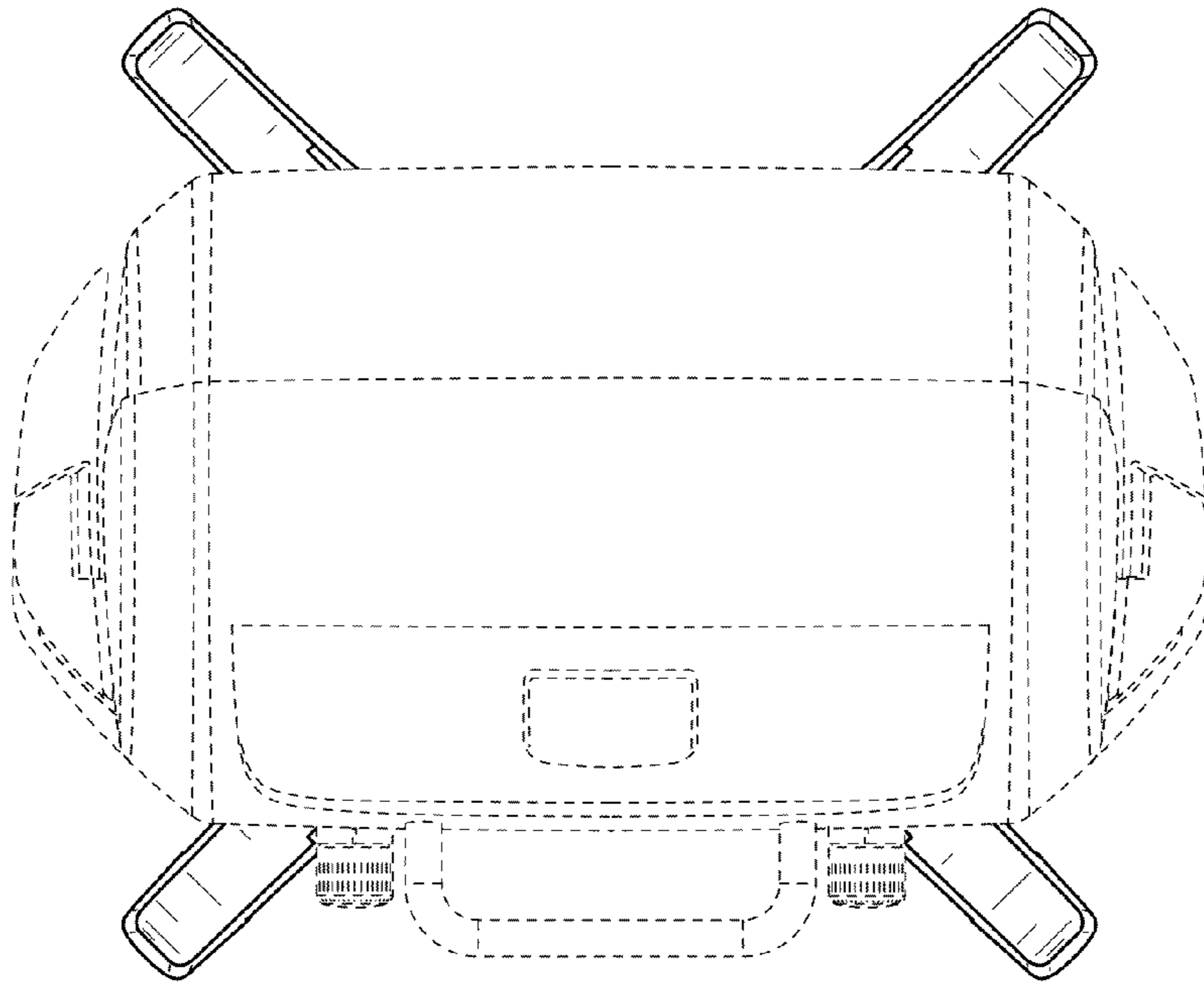


FIG. 6

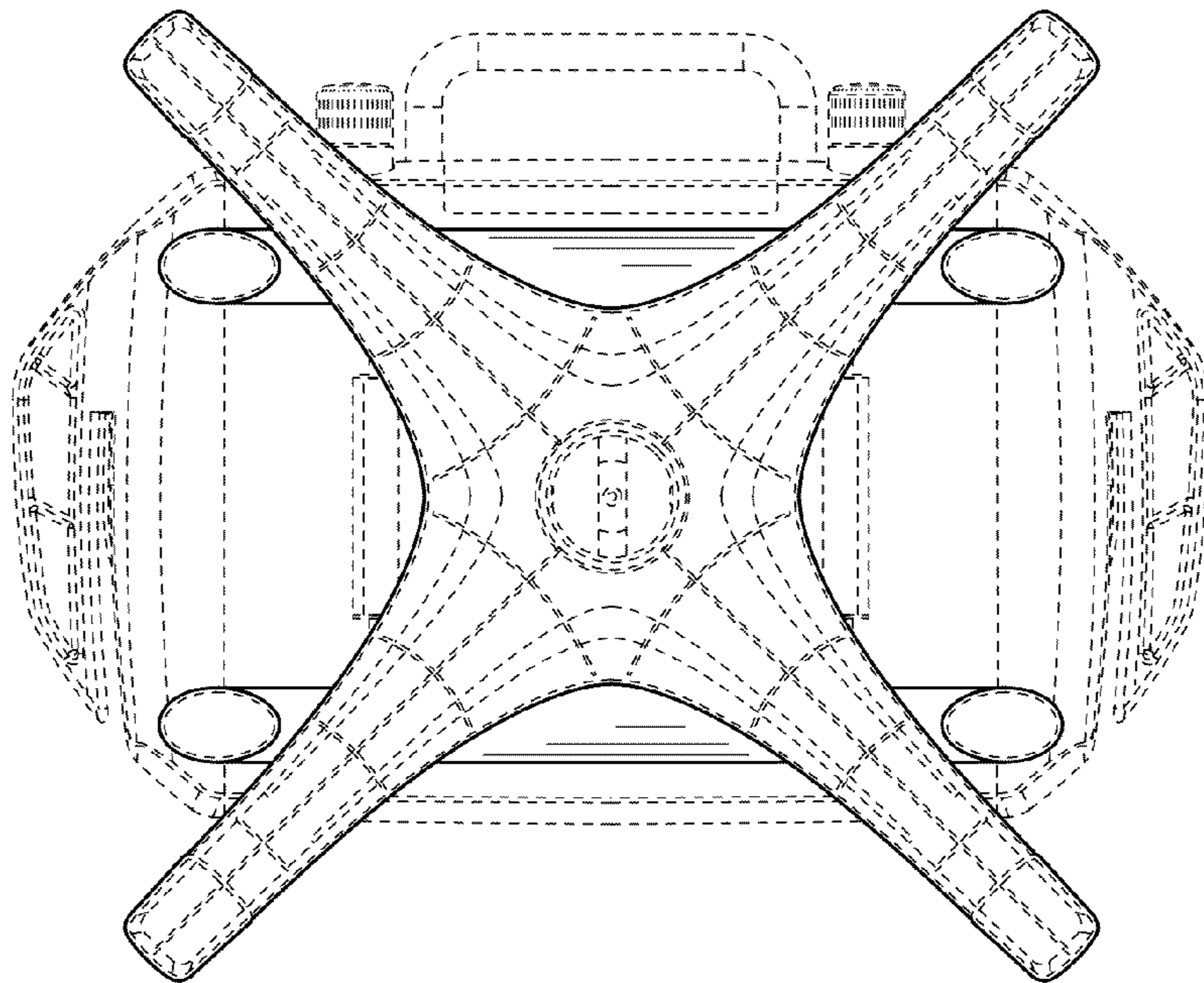


FIG. 7

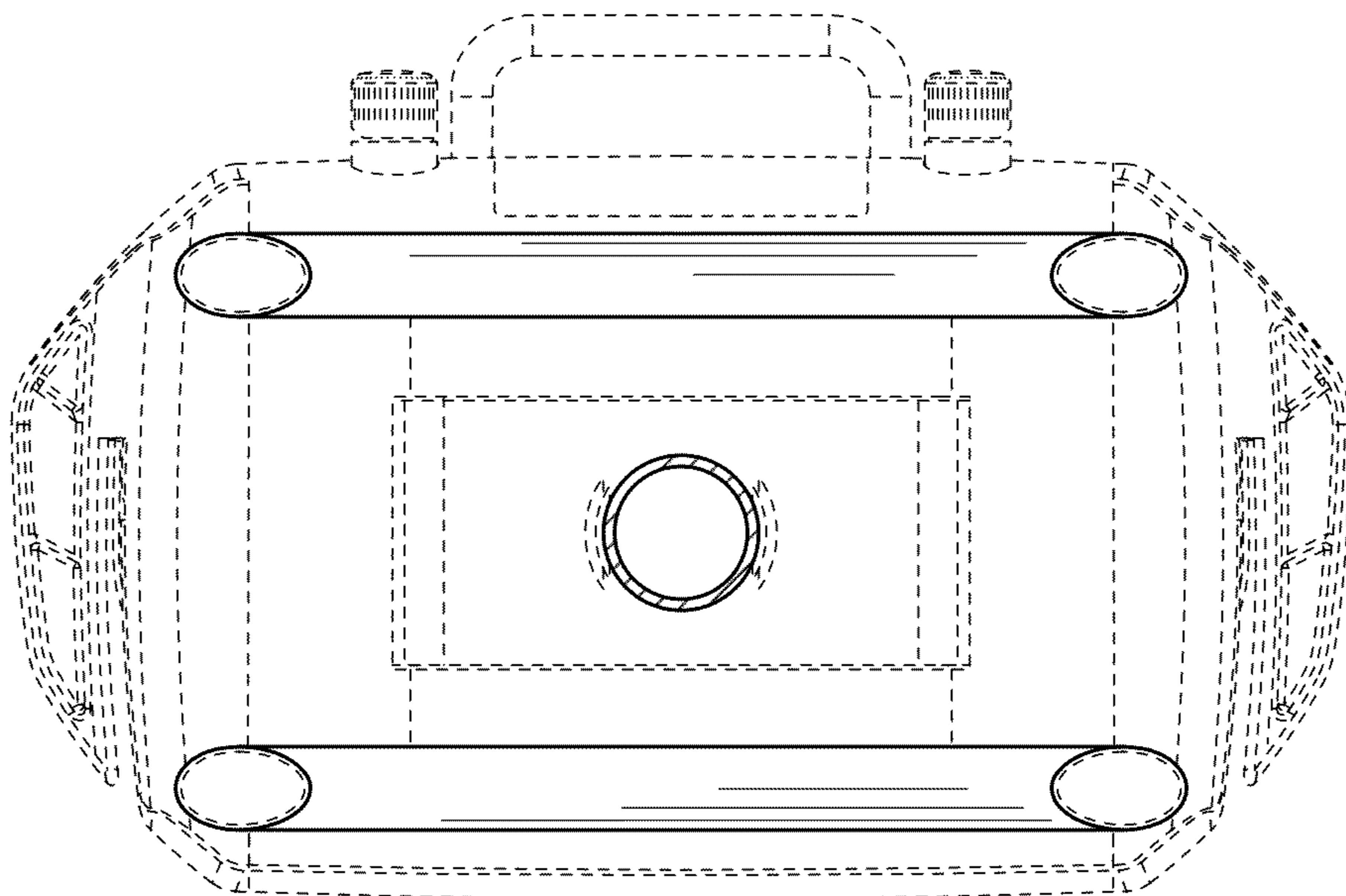


FIG. 8