



US00D760021S

(12) **United States Design Patent**  
**Lapsker**

(10) **Patent No.:** **US D760,021 S**  
(45) **Date of Patent:** **\*\* Jun. 28, 2016**

- (54) **BEVERAGEWARE HANDLE**
- (71) Applicant: **Starline Global Inc.**, Bridgetown (BB)
- (72) Inventor: **Ron Lapsker**, Thornhill (CA)
- (73) Assignee: **STARLINE GLOBAL INC.**,  
Bridgetown (BB)
- (\*\*) Term: **15 Years**
- (21) Appl. No.: **29/530,041**
- (22) Filed: **Jun. 12, 2015**
- (51) **LOC (10) Cl.** ..... **07-02**
- (52) **U.S. Cl.**  
USPC ..... **D7/394; D7/396.2**
- (58) **Field of Classification Search**  
USPC ..... D7/619.1-625, 393-395, 396.2;  
D9/499, 455, 434, 436, 443;  
215/392-396, 399, 11.6; 294/170,  
294/27.1, 29, 31.2, 32, 31.1; 211/74;  
248/309.1, 311.2, 312; 220/737-739,  
220/758, 759  
CPC ..... A45F 5/10; A61J 9/06; B65D 23/106;  
A47G 23/0266; A47G 23/0241  
See application file for complete search history.

D483,615 S	12/2003	Norris	
D502,057 S	2/2005	Norris	
D503,073 S	3/2005	Lapsker	
D505,295 S	5/2005	Norris	
D506,356 S	6/2005	Norris	
D506,643 S	6/2005	Norris	
D510,236 S	10/2005	Norris	
D514,879 S	2/2006	Norris	
D529,763 S *	10/2006	Zerillo	..... D7/510
D530,154 S *	10/2006	Zerillo	..... D7/510
D532,254 S	11/2006	Norris	
D535,524 S *	1/2007	Kramer	..... D7/533
D538,107 S	3/2007	Norris	
D539,092 S	3/2007	Norris	
D548,524 S *	8/2007	Meehan	..... D7/507
D622,102 S *	8/2010	Wahl	..... D7/510
D622,549 S *	8/2010	Carreno	..... D7/510
D625,562 S *	10/2010	McClellan	..... D7/509
D709,738 S *	7/2014	Weinert	..... D7/622

\* cited by examiner

*Primary Examiner* — Cynthia M Chin  
(74) *Attorney, Agent, or Firm* — Hodgson Russ LLP

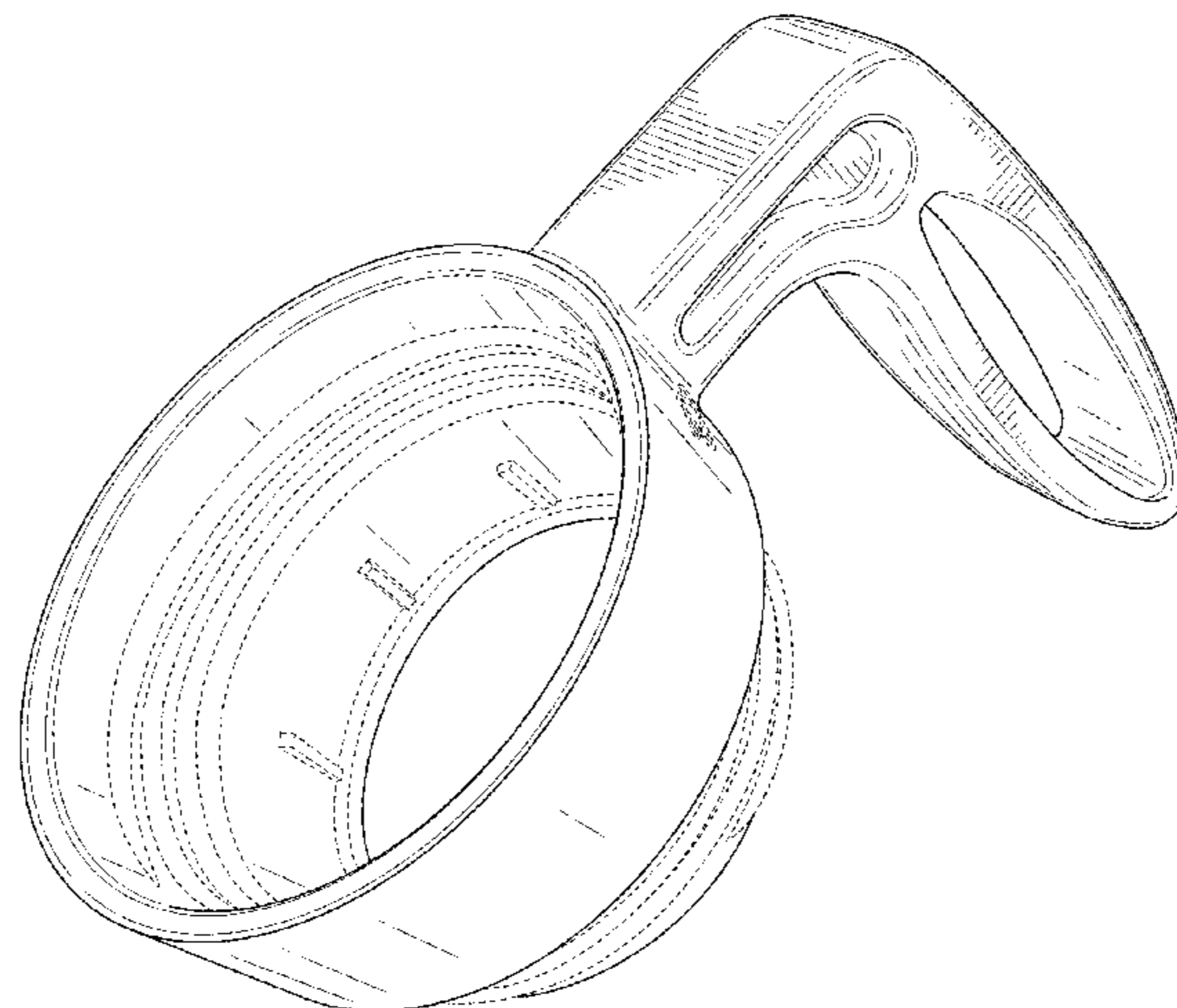
(57) **CLAIM**  
The ornamental design for a beverageware handle, as shown and described.

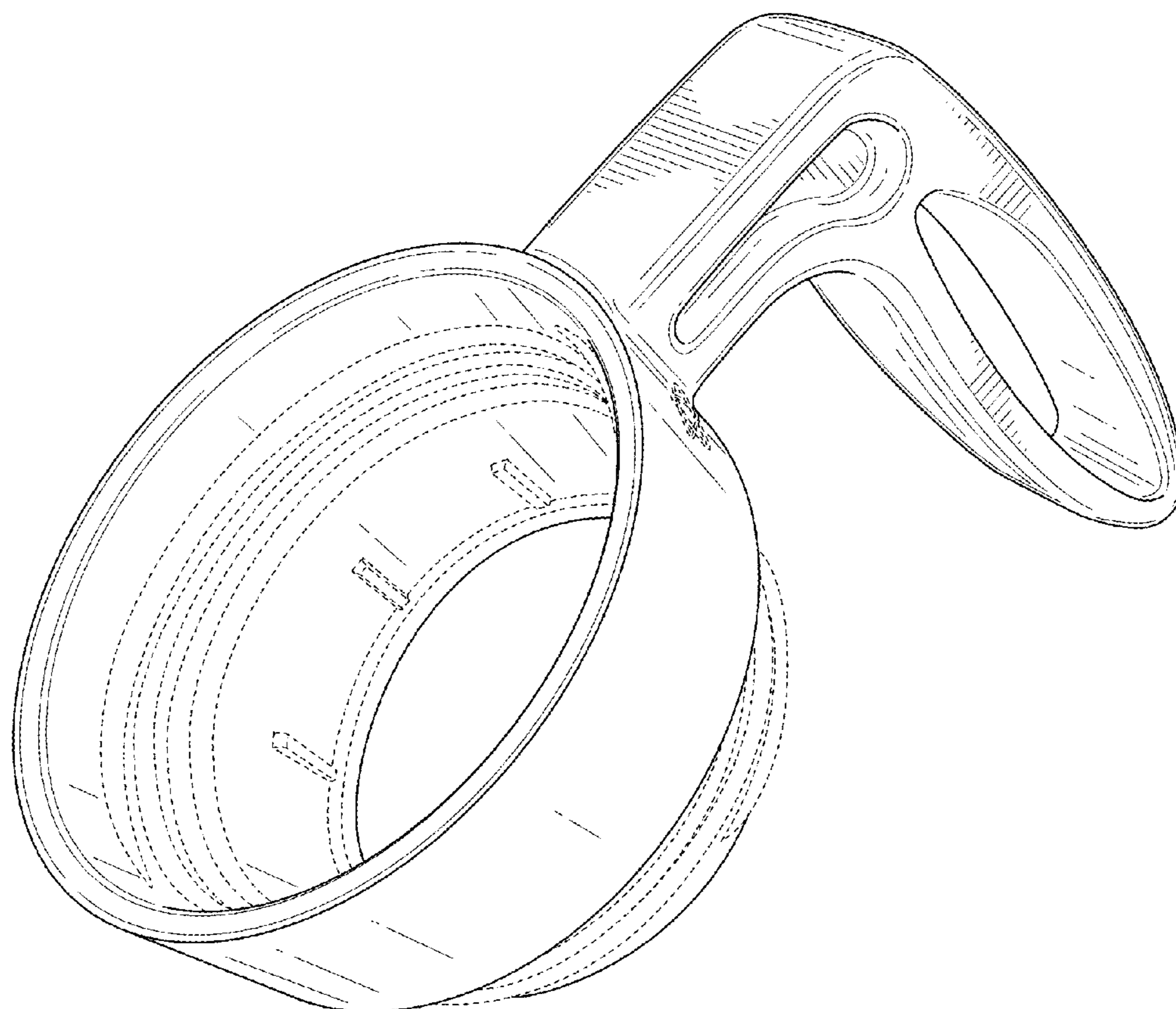
**DESCRIPTION**

FIG. 1 is a perspective view of a beverageware handle showing my new design;  
FIG. 2 is a right side view thereof;  
FIG. 3 is a left view thereof;  
FIG. 4 is a rear view thereof  
FIG. 5 is a front view thereof;  
FIG. 6 is a top view thereof;  
FIG. 7 is a bottom view thereof; and,  
FIG. 8 is a perspective view showing the beverageware handle positioned between an exemplary tumbler and lid.  
The broken lines illustrate unclaimed portions and environmental features that form no part of the claimed design.

**1 Claim, 8 Drawing Sheets**

- (56) **References Cited**  
U.S. PATENT DOCUMENTS
- D370,384 S \* 6/1996 Shamis ..... D7/393
- D406,011 S \* 2/1999 Hatsumoto ..... D7/510
- D428,769 S \* 8/2000 Mensch ..... D7/510
- D437,187 S \* 2/2001 Cheng ..... D7/622
- D460,324 S 7/2002 Norris
- D460,661 S 7/2002 Norris
- D462,875 S 9/2002 Norris
- D479,669 S 9/2003 Norris
- D480,916 S 10/2003 Norris
- D480,919 S \* 10/2003 Bin ..... D7/510
- D482,933 S 12/2003 Norris





**FIG. 1**

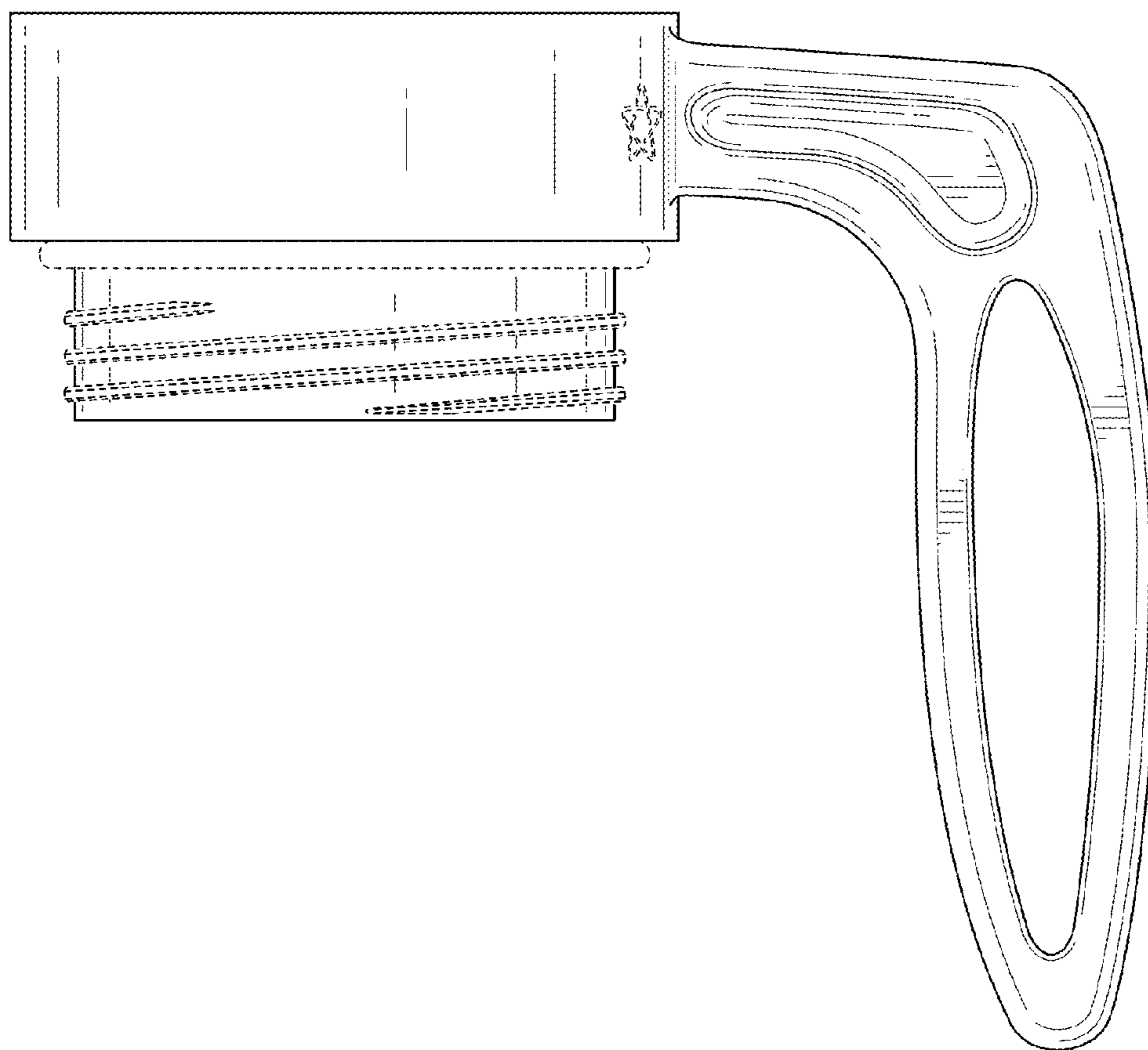


FIG. 2

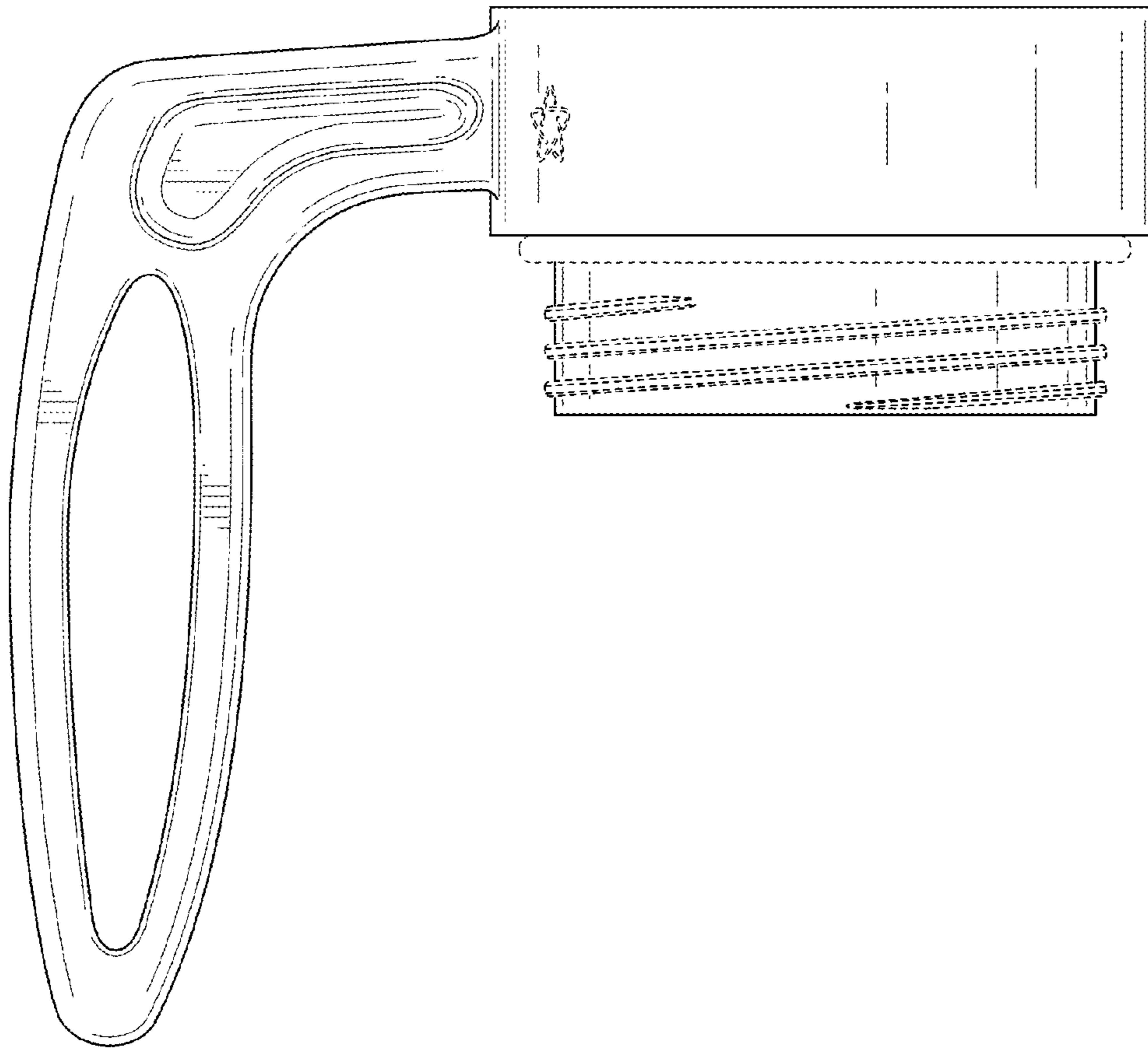


FIG. 3

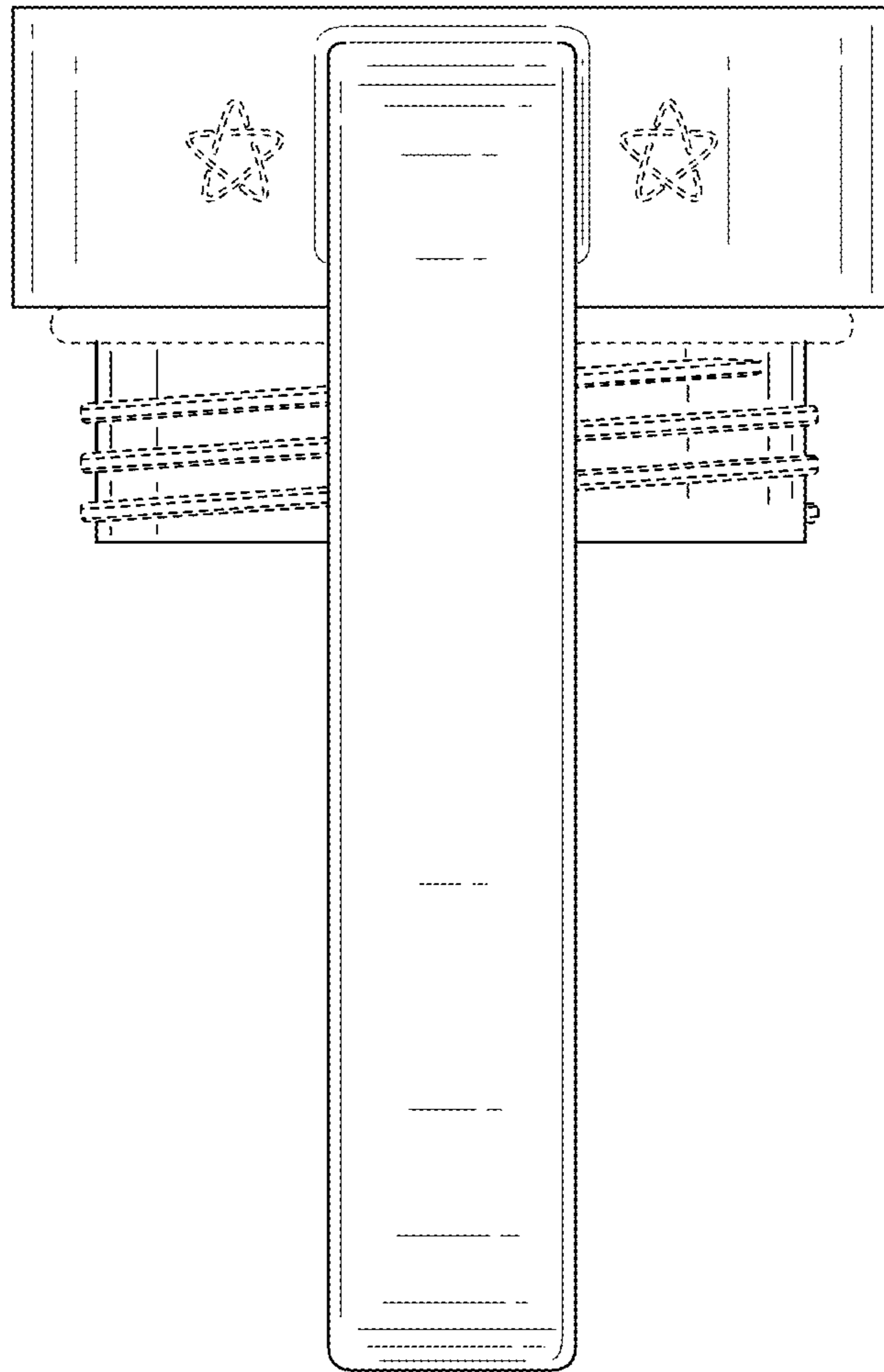
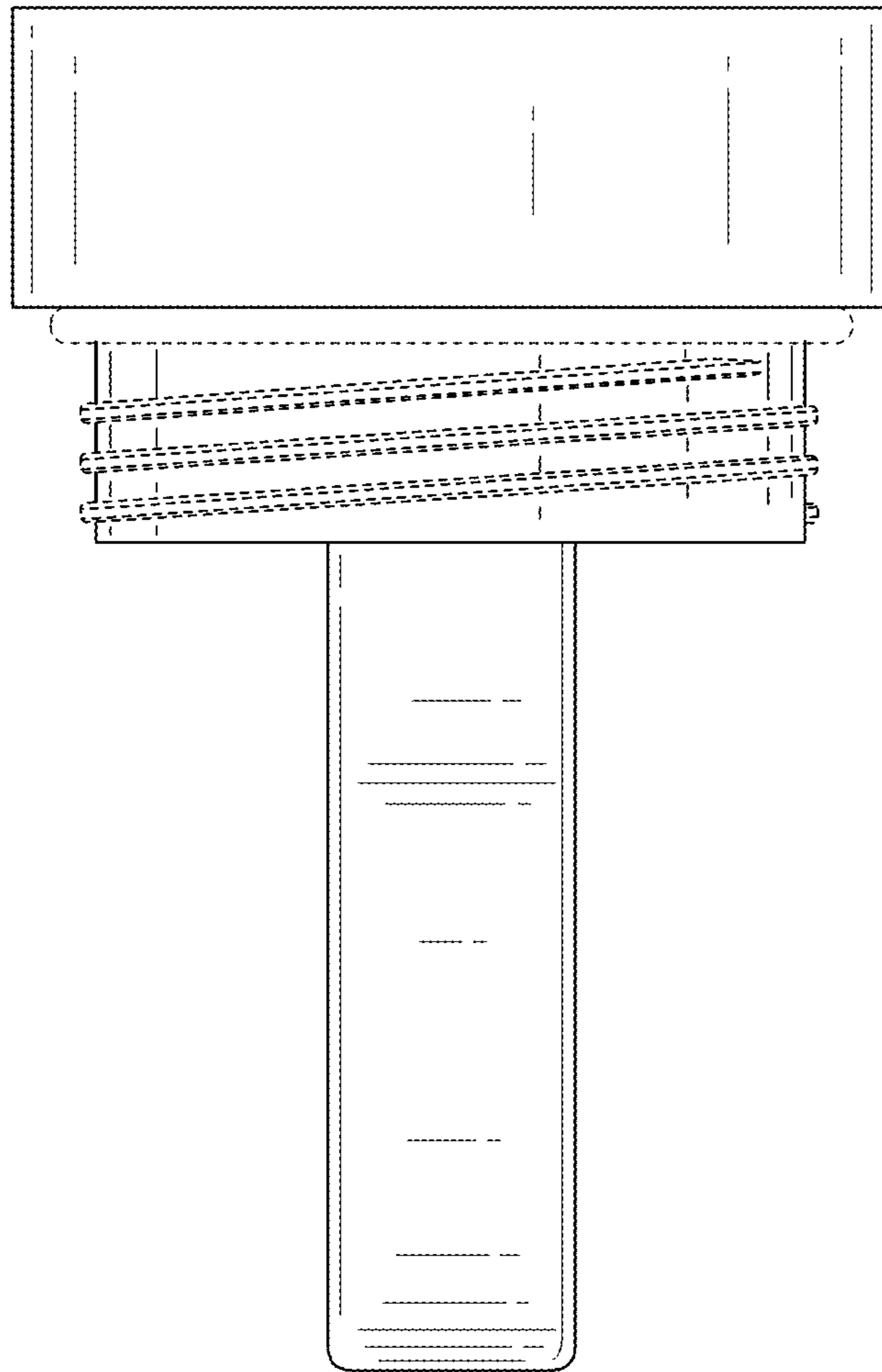
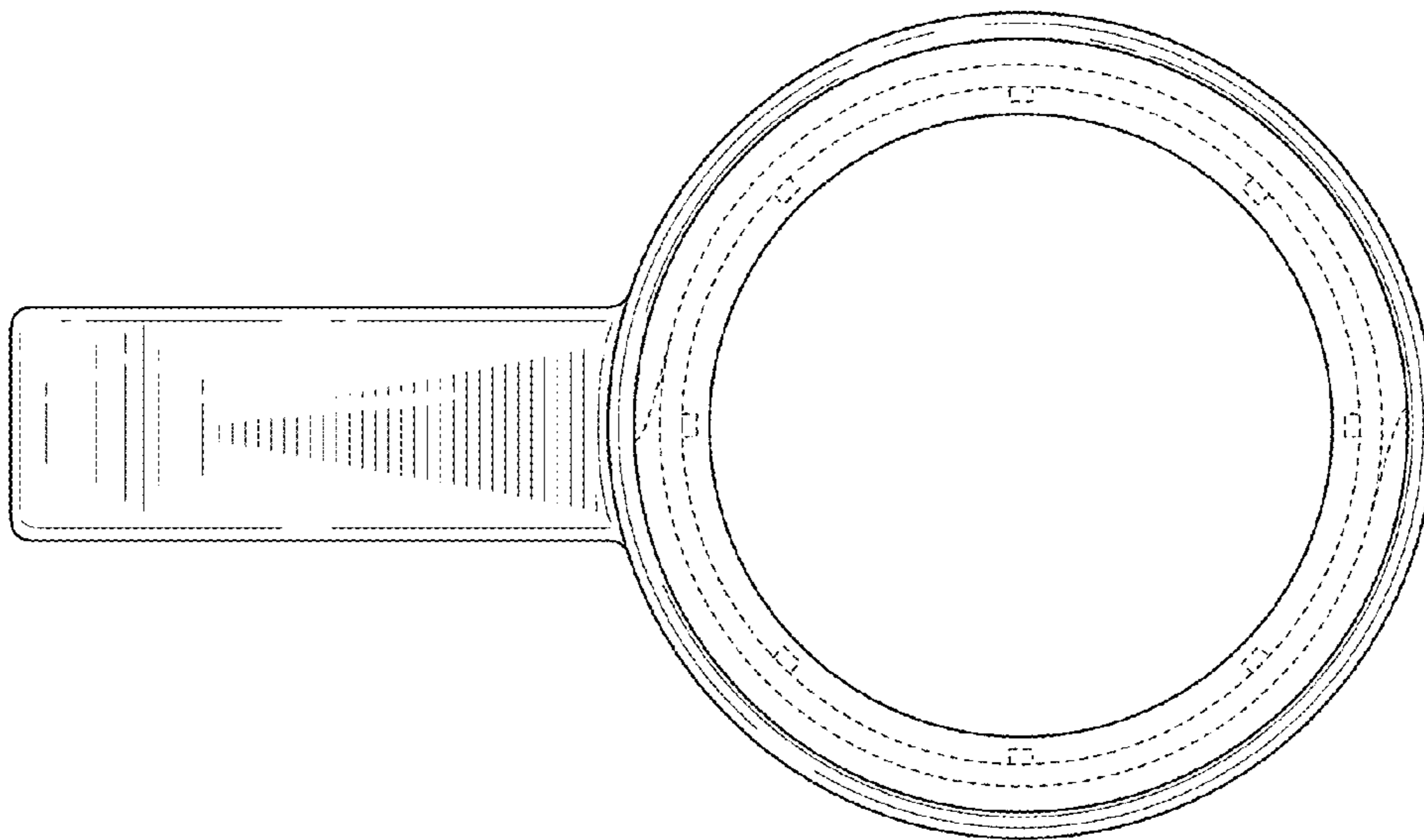


FIG. 4



**FIG. 5**



**FIG. 6**

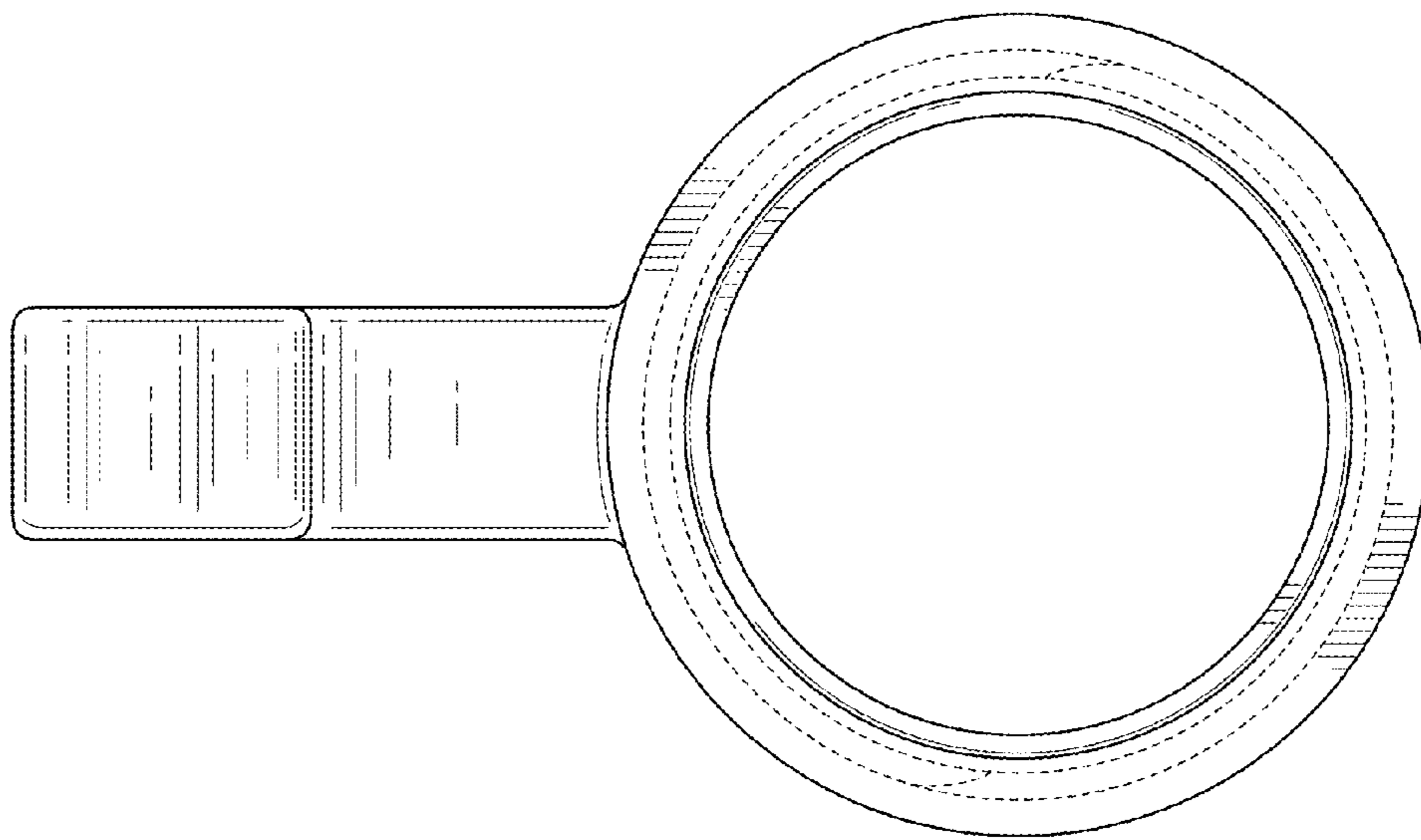


FIG. 7



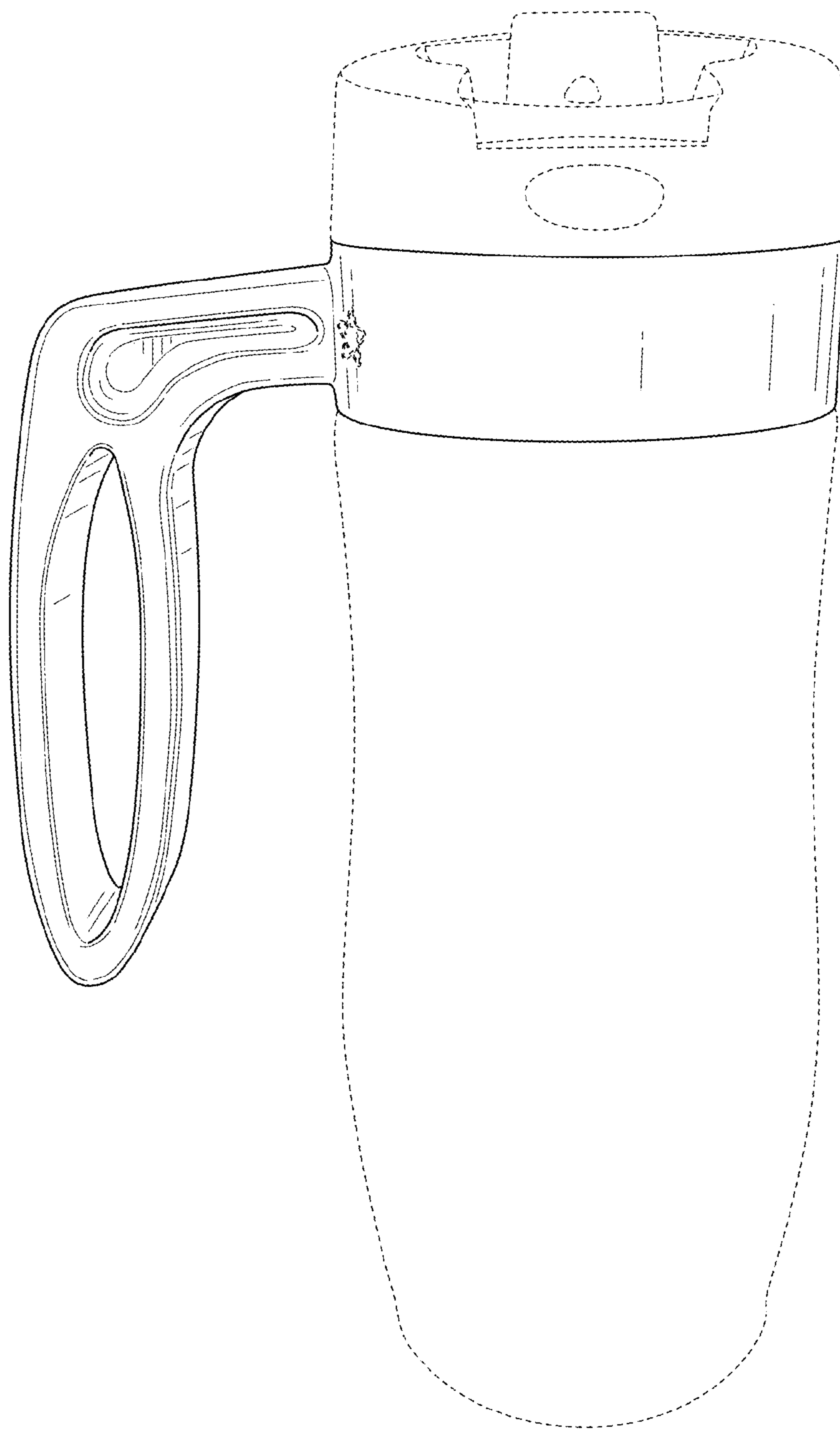


FIG. 8