

US00D760020S

(12) **United States Design Patent**
Gagnon et al.

(10) **Patent No.:** **US D760,020 S**
(45) **Date of Patent:** **** Jun. 28, 2016**

- (54) **FOOD STATION**
- (71) Applicant: **8479950 CANADA INC.**, Montreal (CA)
- (72) Inventors: **Martin Gagnon**, Blainville (CA); **Jamie Coblantz**, Montreal (CA); **Wilson Hum**, Montreal (CA)
- (73) Assignee: **8479950 Canada Inc.**, Montreal (CA)
- (**) Term: **14 Years**
- (21) Appl. No.: **29/495,886**
- (22) Filed: **Jul. 7, 2014**
- (51) **LOC (10) Cl.** **31-00**
- (52) **U.S. Cl.**
USPC **D7/368**
- (58) **Field of Classification Search**
USPC D7/368, 323, 325, 402
CPC A23G 3/10; A23G 3/0051; A23G 3/0031
See application file for complete search history.

5,939,120 A * 8/1999 Bogue A23G 3/10
219/386

D421,464 S 3/2000 Risolia
6,374,727 B1 4/2002 Cretors
D460,846 S 7/2002 Helman et al.
6,460,451 B1 10/2002 Helman et al.

(Continued)

FOREIGN PATENT DOCUMENTS

CA 2687733 12/2008
CN 1510994 7/2004

(Continued)

Primary Examiner — Terry Wallace

(74) *Attorney, Agent, or Firm* — Taft Stettinius & Hollister LLP

(57) **CLAIM**

The ornamental design for a food station, as shown and described.

DESCRIPTION

FIG. 1 is a perspective view of the food station showing our new design;

FIG. 2 is a front view thereof;

FIG. 3 is a back view thereof;

FIG. 4 is a left side elevation view thereof;

FIG. 5 is a right side elevation view thereof;

FIG. 6 is a top plan view thereof;

FIG. 7 is a bottom plan view thereof; and,

FIG. 8 is a perspective of the food station of FIG. 1 shown with extended side trays.

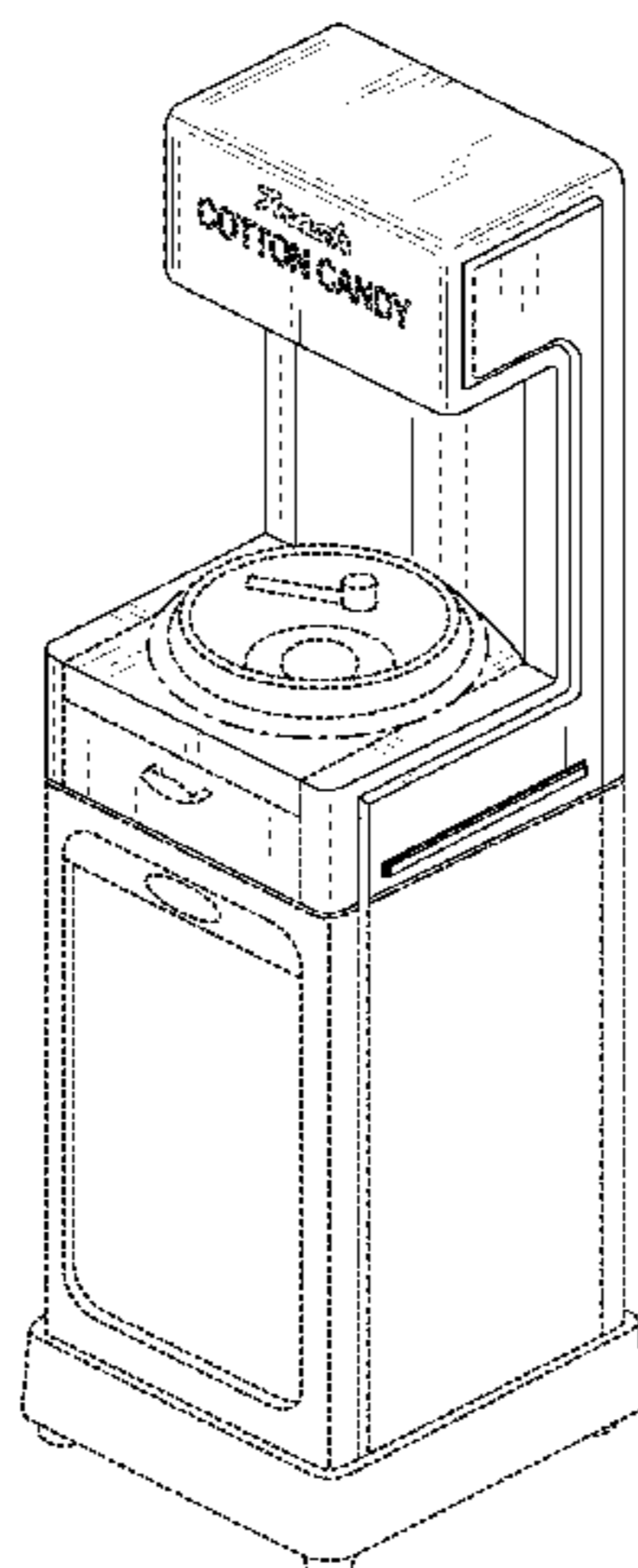
Throughout the figures, where shown (i) the broken lines showing additional structure of the food station are for illustrative purposes only and form no part of the claimed design; (ii) the unshaded surfaces do not form part of the claimed design; and (iii) the dotted-dashed lines illustrate unclaimed boundaries of surfaces claimed as part of the design. Portions of the food station not shown in the Figures and not otherwise described in this specification do not form part of the claimed design,

1 Claim, 5 Drawing Sheets

(56) **References Cited**

U.S. PATENT DOCUMENTS

- 748,065 A 12/1903 Green
- D80,489 S 2/1930 Meyer
- D95,156 S 4/1935 Soellner
- 2,668,636 A 2/1954 Martin
- 3,036,532 A * 5/1962 Bowe A23G 3/10
425/130
- 3,856,443 A * 12/1974 Salvi A23G 3/10
221/96
- D249,868 S 10/1978 Russert
- 4,152,974 A 5/1979 Tienor
- D291,392 S 8/1987 Worthen
- 5,145,687 A * 9/1992 Parker A23G 3/10
425/131.5
- D363,830 S 11/1995 Forrest
- 5,694,830 A 12/1997 Hodgson et al.
- 5,711,208 A 1/1998 Wood et al.
- 5,771,779 A 6/1998 Stein et al.
- 5,876,764 A * 3/1999 Buttin A23G 7/0031
221/186
- 5,928,550 A 7/1999 Weiss



(56)

References Cited

U.S. PATENT DOCUMENTS

D484,551 S 12/2003 Seelig et al.
7,082,891 B2 8/2006 Watson
D551,016 S 9/2007 Bond
D552,405 S 10/2007 Bond
D628,428 S 12/2010 Bond
D628,847 S 12/2010 Liu
7,874,244 B2 1/2011 Rhome
D632,123 S 2/2011 Kauer
D643,668 S 8/2011 Yui
D677,969 S 3/2013 Bond
8,464,634 B2 6/2013 Cretors et al.

2002/0062743 A1* 5/2002 Weiss A23G 3/10
99/348
2011/0274804 A1 11/2011 Barrows et al.
2012/0121746 A1* 5/2012 Yang A23G 3/10
425/9
2013/0276640 A1 10/2013 Cretors
2013/0276641 A1 10/2013 Vidojevic
2013/0280386 A1 10/2013 Cretors

FOREIGN PATENT DOCUMENTS

CN 202095477 1/2012
CN 202364752 8/2012
CN 202918980 5/2013

* cited by examiner

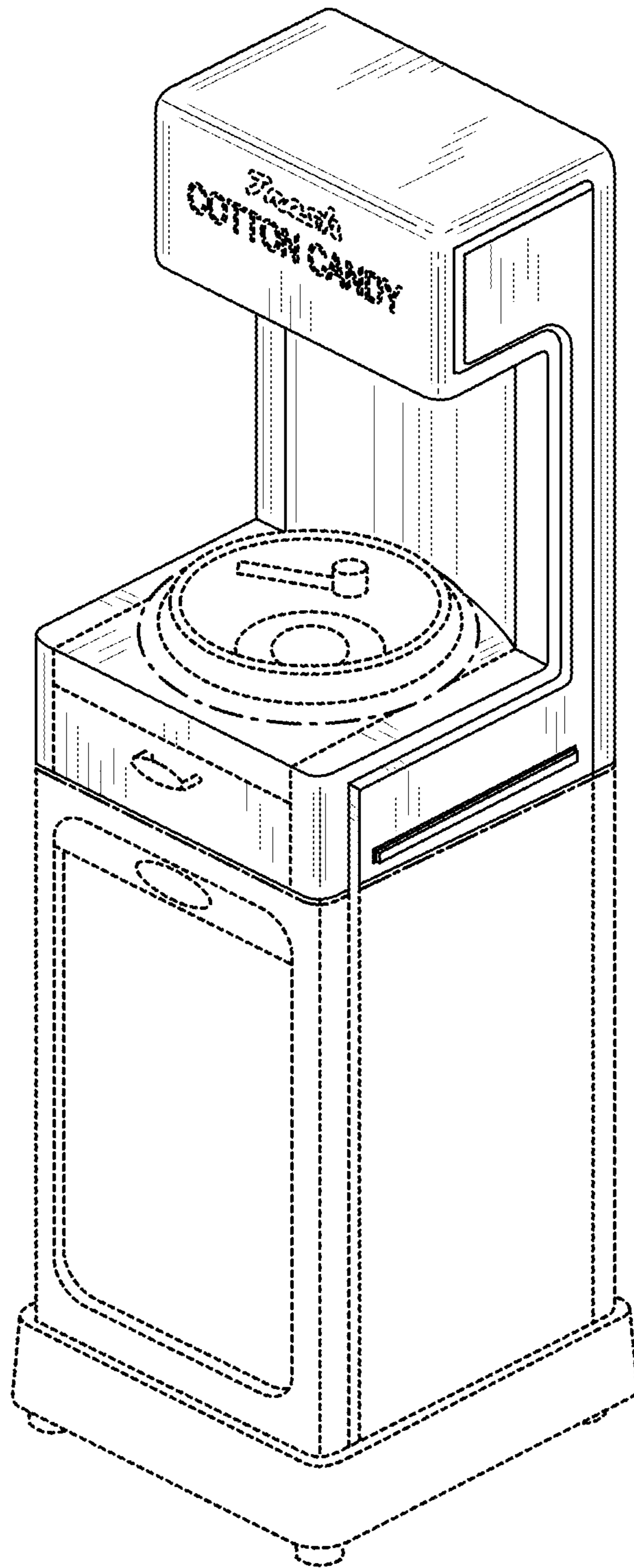


FIG. 1

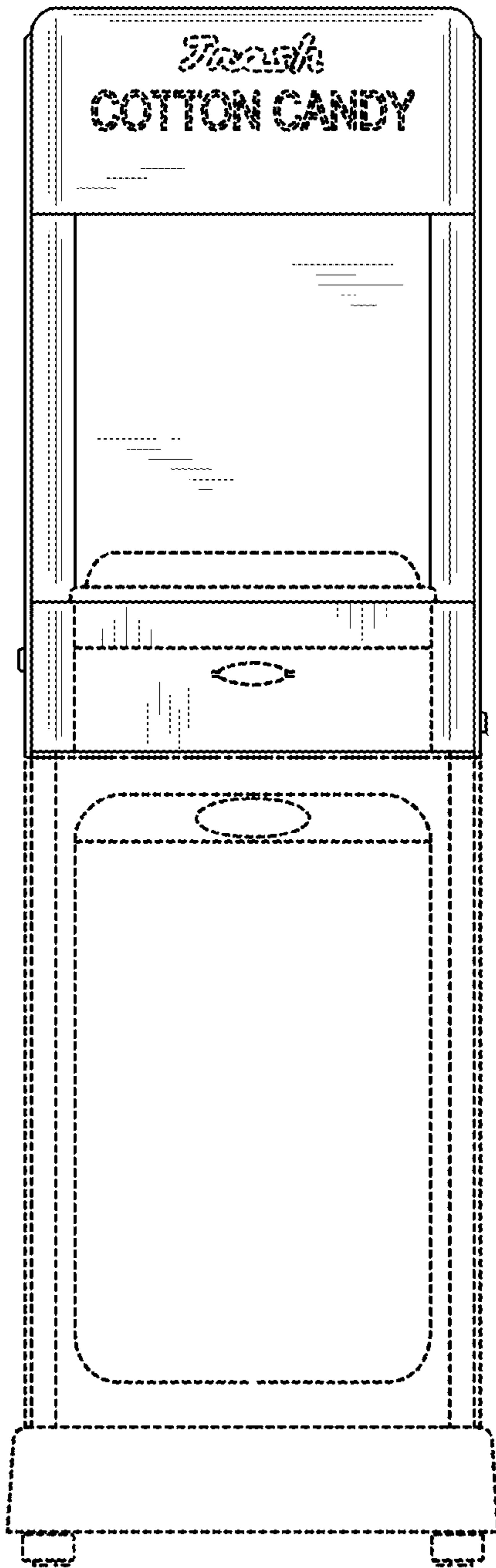


FIG. 2

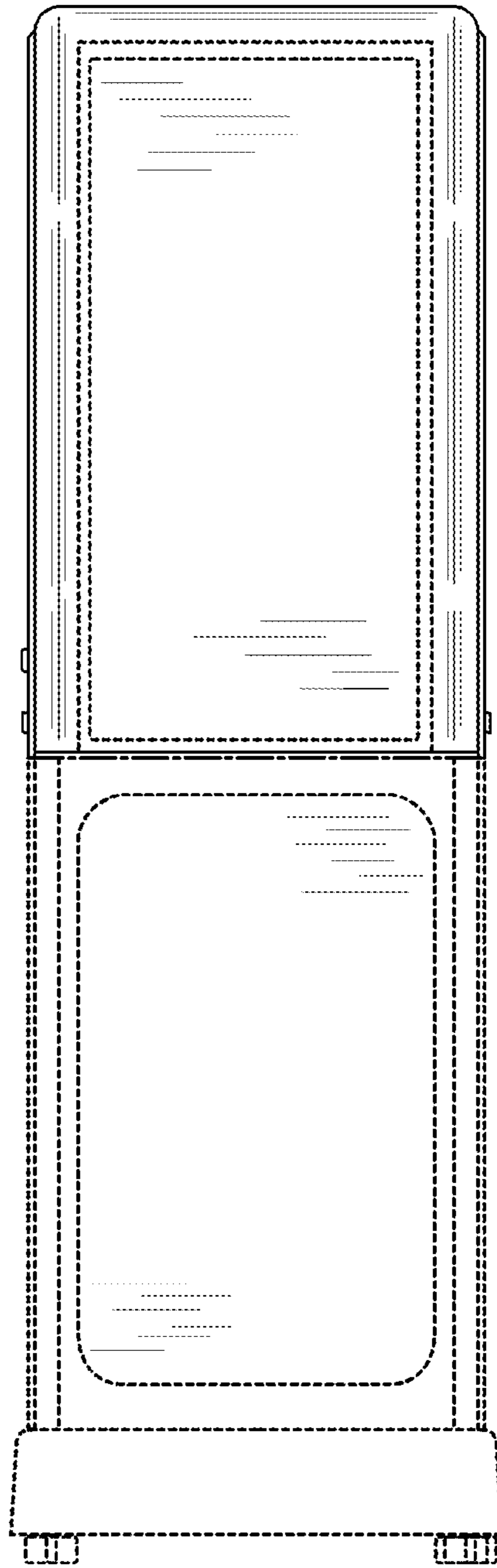


FIG. 3

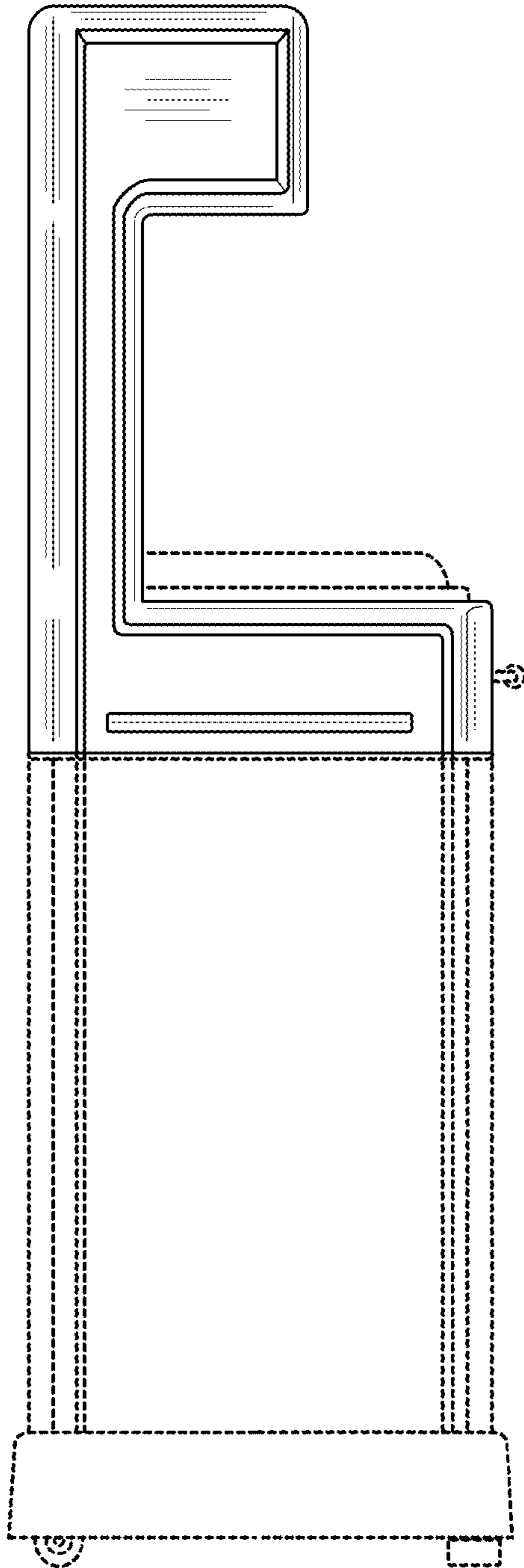


FIG. 4

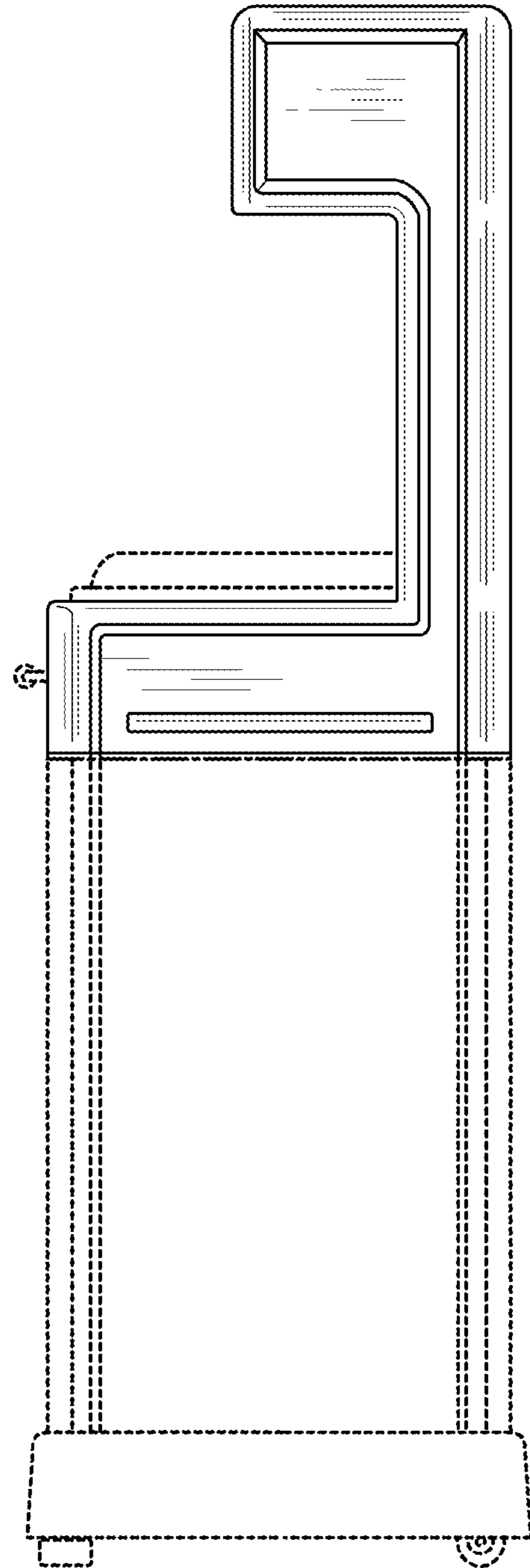


FIG. 5

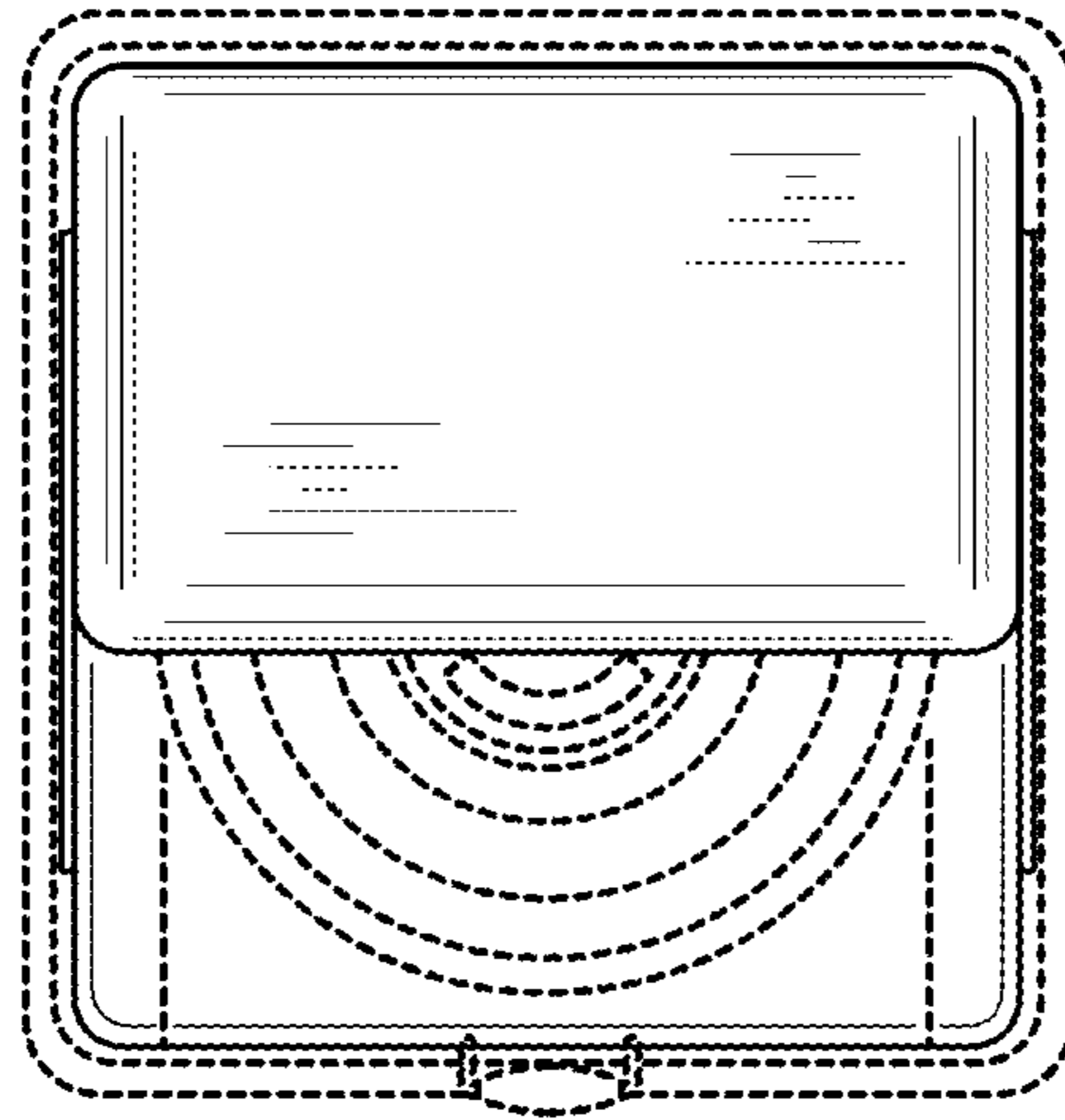


FIG. 6

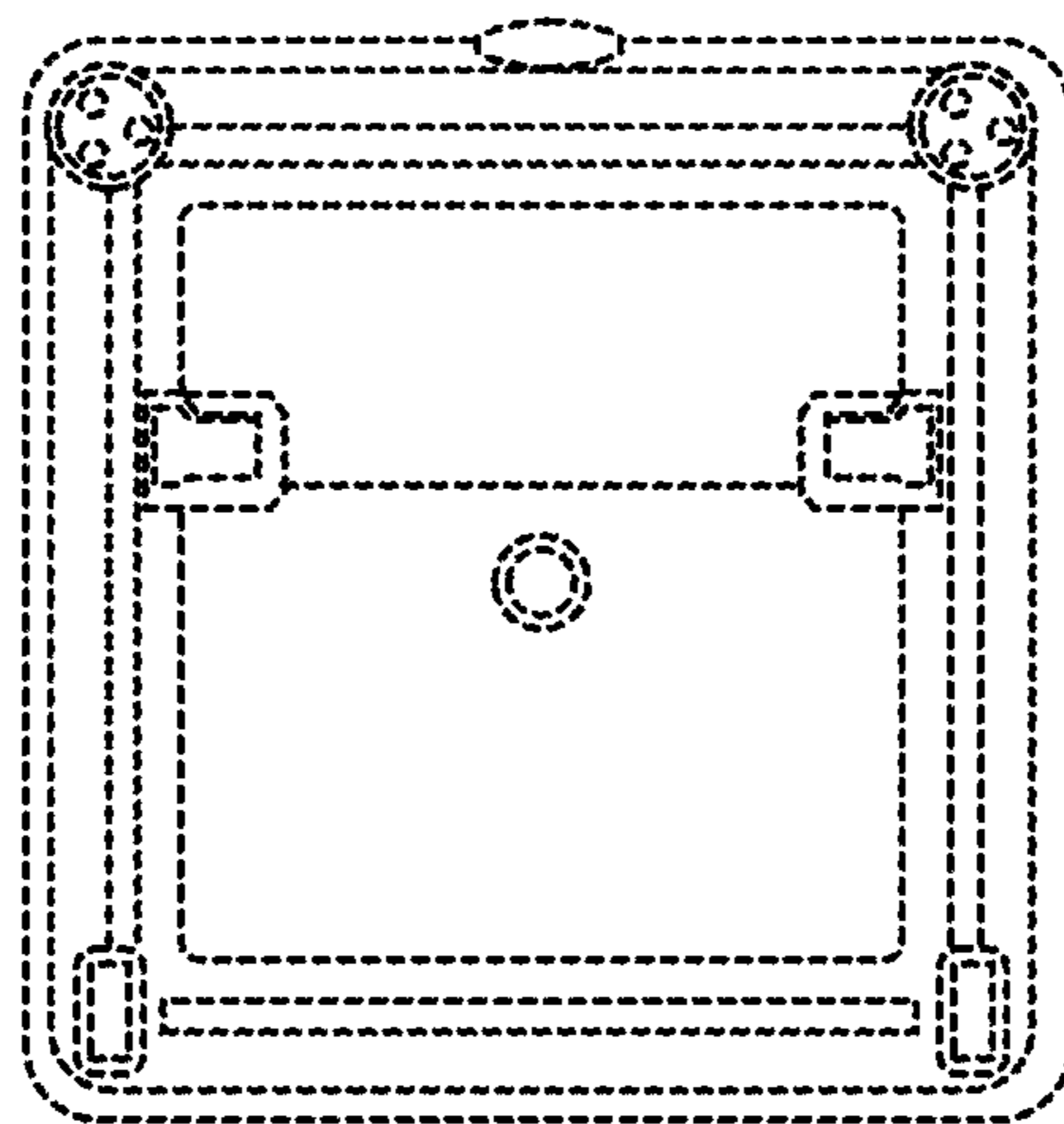


FIG. 7

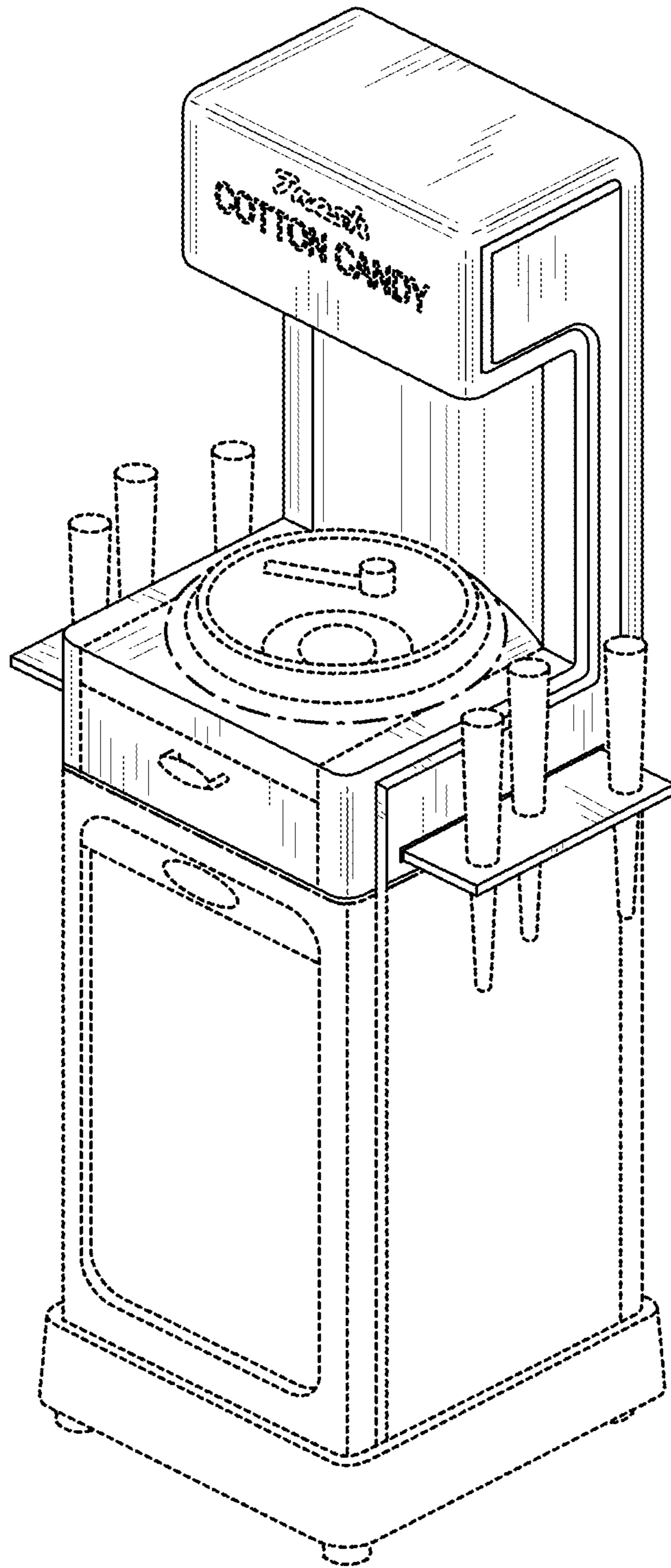


FIG. 8