

US00D760017S

(12) **United States Design Patent**
Berge

(10) **Patent No.:** **US D760,017 S**
(45) **Date of Patent:** **** Jun. 28, 2016**

(54) **DEEP FRYER WITH WARMING TRAY**

(71) Applicant: **National Presto Industries, Inc.**, Eau Claire, WI (US)

(72) Inventor: **Michael R. Berge**, Eau Claire, WI (US)

(73) Assignee: **National Presto Industries, Inc.**, Eau Claire, WI (US)

(**) Term: **14 Years**

(21) Appl. No.: **29/514,949**

(22) Filed: **Jan. 19, 2015**

(51) **LOC (10) Cl.** **07-02**

(52) **U.S. Cl.**
USPC **D7/360; D7/354**

(58) **Field of Classification Search**

USPC D7/350.2, 323, 354-361, 402
CPC A23L 1/01; A23L 1/0107; A23L 1/0114;
A47J 27/00; A47J 27/08; A47J 27/09; A47J
27/092; A47J 36/025; A47J 36/06; A47J
36/08; A47J 36/10; A47J 36/12; A47J 36/165;
A47J 36/18; A47J 36/20; A47J 36/22; A47J
37/00; A47J 37/12; A47J 37/1204; A47J
37/1209; A47J 37/1214; A47J 37/1219;
A47J 37/1266; A47J 37/1285; A47J 37/129;
A47J 37/1295; G07F 17/0064; G07F 17/0078;
G07F 17/0085; H05B 6/02; H05B 6/06;
H05B 6/12

See application file for complete search history.

(56) **References Cited**

U.S. PATENT DOCUMENTS

D246,686 S 12/1977 Boldt
D284,257 S 6/1986 Greb et al.

(Continued)

FOREIGN PATENT DOCUMENTS

CN 200630060898.8 3/2007

OTHER PUBLICATIONS

Presto® GranPappy® Electric Deep Fryer Advertisement, 1 page, copyright 2012.

(Continued)

Primary Examiner — Ricky Pham

(74) *Attorney, Agent, or Firm* — Patterson Thuent Pedersen, P.A.

(57) **CLAIM**

I claim the ornamental design for deep fryer with warming tray, as shown and described.

DESCRIPTION

FIG. 1 is a front view of a deep fryer with warming tray according to an embodiment of the invention.

FIG. 2 is a right side view of the deep fryer with warming tray depicted in FIG. 1.

FIG. 3 is a rear view of the deep fryer with warming tray depicted in FIG. 1.

FIG. 4 is a left side view of the deep fryer with warming tray depicted in FIG. 1.

FIG. 5 is a top view of the deep fryer with warming tray depicted in FIG. 1.

FIG. 6 is a bottom view of the deep fryer with warming tray depicted in FIG. 1.

FIG. 7 is a front, right side perspective view of the deep fryer with warming tray depicted in FIG. 1.

FIG. 8 is a right side view of the deep fryer with warming tray depicted in FIG. 1 with a partially open warming tray.

FIG. 9 is a left side view of the deep fryer with warming tray depicted in FIG. 1 with a partially open warming tray.

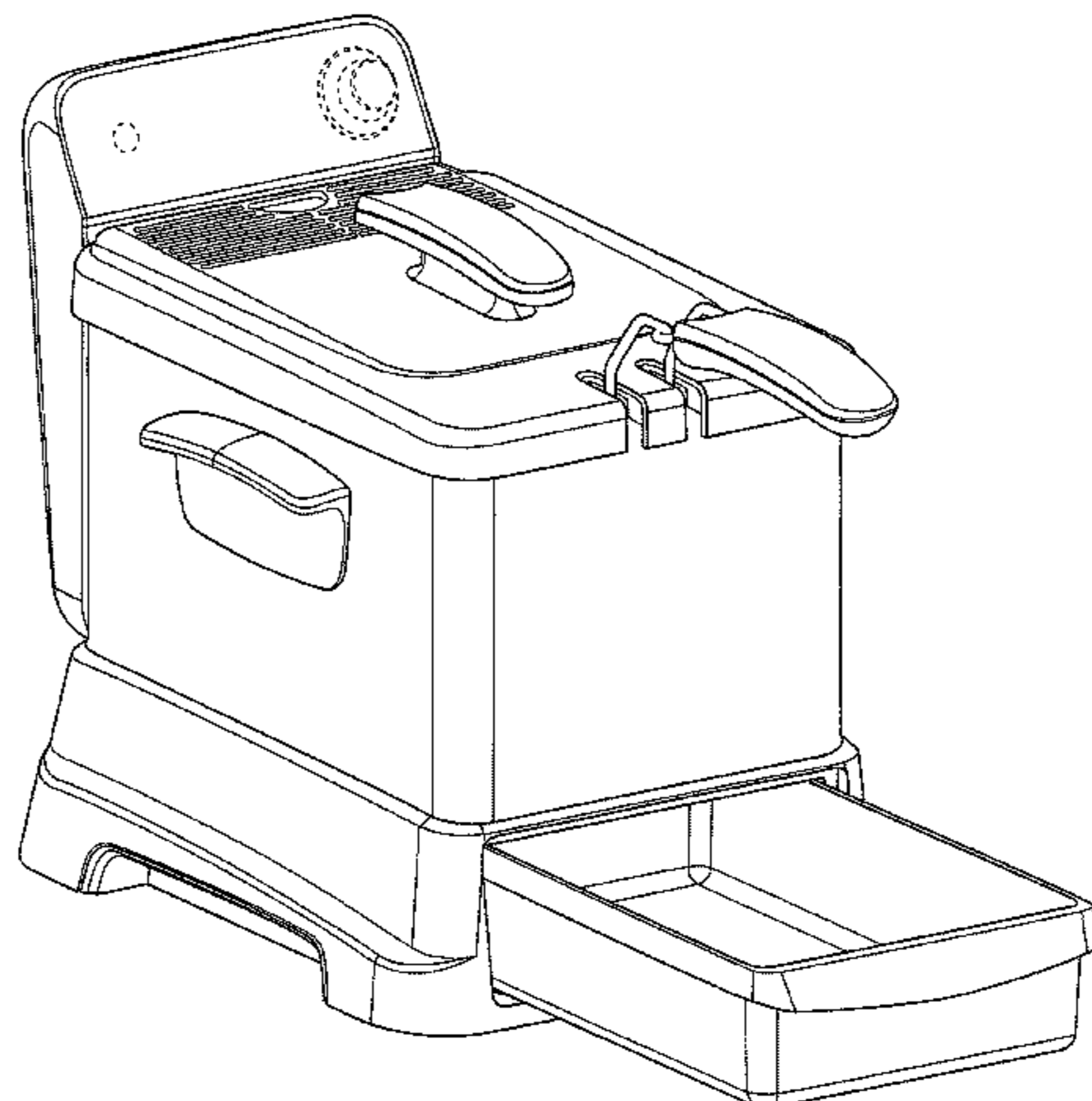
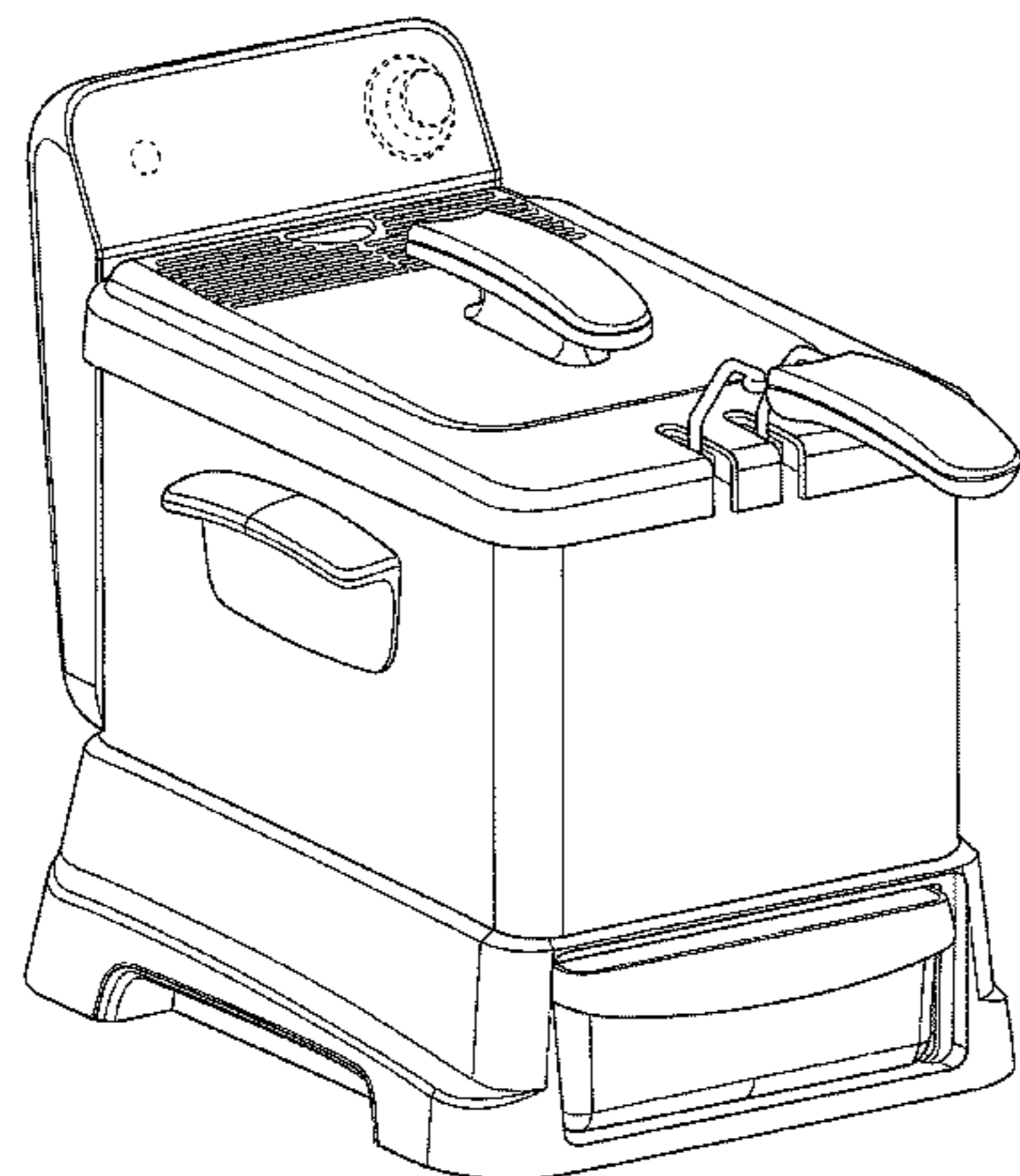
FIG. 10 is a top view of the deep fryer with warming tray depicted in FIG. 1 with a partially open warming tray.

FIG. 11 is a bottom view of the deep fryer with warming tray depicted in FIG. 1 with a partially open warming tray, and,

FIG. 12 is a front, right side perspective view of the deep fryer with warming tray depicted in FIG. 1 with a partially open warming tray.

Items shown in broken lines are for illustrative purposes only and form no part of the claimed invention.

1 Claim, 12 Drawing Sheets



(56)

References Cited

U.S. PATENT DOCUMENTS

D316,650 S * 5/1991 Slany D7/354
 D323,762 S 2/1992 Barrault
 D341,056 S 11/1993 Powell
 D347,353 S 5/1994 Piret et al.
 D369,505 S 5/1996 Philippe
 D374,588 S 10/1996 Federico
 D380,504 S 7/1997 Yang
 D382,767 S 8/1997 Lien
 D386,646 S 11/1997 Wurth
 D387,243 S 12/1997 Bumoux
 D397,579 S 9/1998 Wu Chang
 D414,072 S 9/1999 Powell
 D416,166 S 11/1999 Hirose et al.
 D418,360 S 1/2000 Kei
 D418,361 S 1/2000 Utsugi
 D419,824 S 2/2000 Sham et al.
 D422,447 S 4/2000 Josancy
 D423,277 S 4/2000 Josancy
 D424,366 S 5/2000 Blaise
 D431,150 S 9/2000 Kalina et al.
 D432,348 S 10/2000 Shaw
 D436,795 S 1/2001 Martres et al.
 D444,666 S 7/2001 Kalina et al.
 D444,994 S 7/2001 Kalina et al.
 D446,680 S 8/2001 Falt et al.
 D452,795 S 1/2002 Johnson et al.
 D458,507 S 6/2002 Meelen
 D463,711 S 10/2002 Josancy
 D464,526 S 10/2002 Brown
 D465,125 S 11/2002 Chedal Anglay
 6,499,390 B1 12/2002 Huang
 D473,097 S 4/2003 Brown et al.
 D475,570 S 6/2003 Josancy
 D489,935 S 5/2004 Choi
 6,742,444 B1 6/2004 Lai et al.
 6,807,899 B2 10/2004 Dirand
 6,823,772 B2 11/2004 Payen et al.
 7,015,429 B2 3/2006 Lau et al.
 D522,799 S * 6/2006 Kassenaar D7/350.2
 D525,478 S 7/2006 Averty
 D532,248 S 11/2006 Allende Fritsch
 D533,014 S 12/2006 Choi
 D539,599 S * 4/2007 De'Longhi D7/354
 D549,517 S 8/2007 Moran

D551,897 S 10/2007 De Pra'
 D552,921 S 10/2007 Garman et al.
 D557,552 S 12/2007 Matras
 D568,092 S 5/2008 Boes et al.
 D582,206 S 12/2008 Fuller
 D585,238 S 1/2009 Tseng
 D588,398 S 3/2009 Pan
 D588,860 S 3/2009 Tienor et al.
 D592,008 S 5/2009 Reiner
 D598,700 S 8/2009 Seymour
 D600,066 S 9/2009 Seymour
 D604,093 S * 11/2009 Moussu D7/360
 D609,962 S 2/2010 Fiorotto
 D610,392 S 2/2010 Fiorotto
 D610,866 S 3/2010 Fiorotto
 D611,757 S 3/2010 Reiner
 D611,758 S 3/2010 Seymour
 D668,908 S 10/2012 De' Longhi
 D672,600 S 12/2012 Berge
 D674,651 S 1/2013 Berge
 D677,527 S * 3/2013 Brega D7/402
 D680,800 S 4/2013 Berge
 D680,801 S 4/2013 Seymour
 2004/0154474 A1 8/2004 Chan
 2009/0205511 A1 8/2009 Tienor

OTHER PUBLICATIONS

Presto® FryDaddy® Electric Deep Fryer Advertisement, 1 page, copyright 2007.
 Presto® FryDaddy® Plus Electric Deep Fryer Advertisement, 1 page, copyright 1990.
 Presto® FryBaby® Electric Deep Fryer Advertisement, copyright 1984.
 Presto® DualDaddy™ Electric Deep Fryer computer printout, <http://www.gopresto.com/products/products.php?stock=05450>, printed Feb. 26, 2009, 1 page, copyright 2008.
 Presto® Stainless Steel Electric Deep Fryer Instruction Manual, 5 pages, copyright 2009.
 Presto® CoolDaddy® Cool-Touch Deep Fryer Instruction Manual, 10 pages, copyright 2011.
 Presto® Stainless Steel ProFry™ Immersion Element Deep Fryer/Steamer Instruction Manual, 12 pages, copyright 2011.
 Presto® Stainless Steel Dual Basket ProFry™ immersion element deep fryer Advertisement, 1 page, copyright 2011.

* cited by examiner

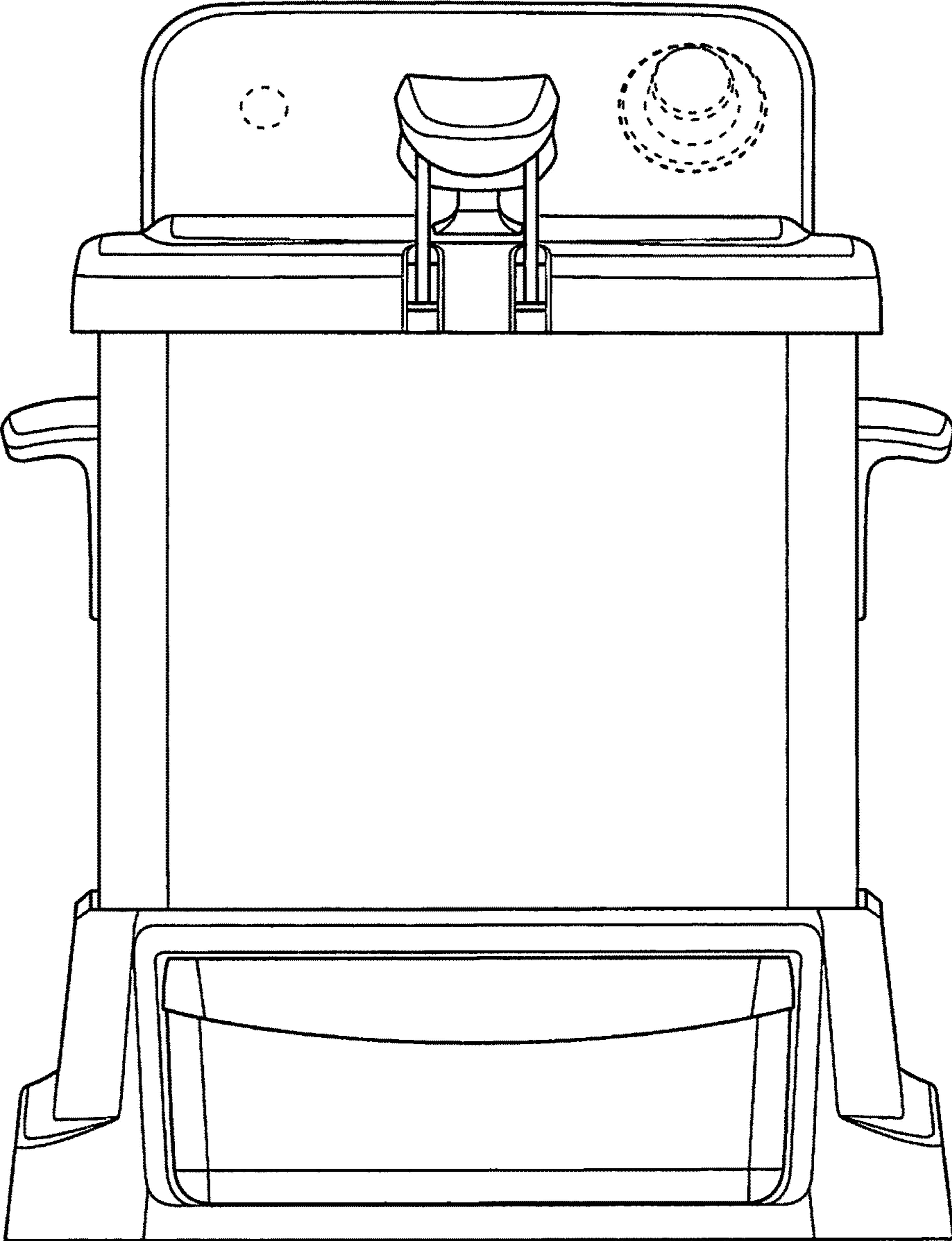


FIG.1

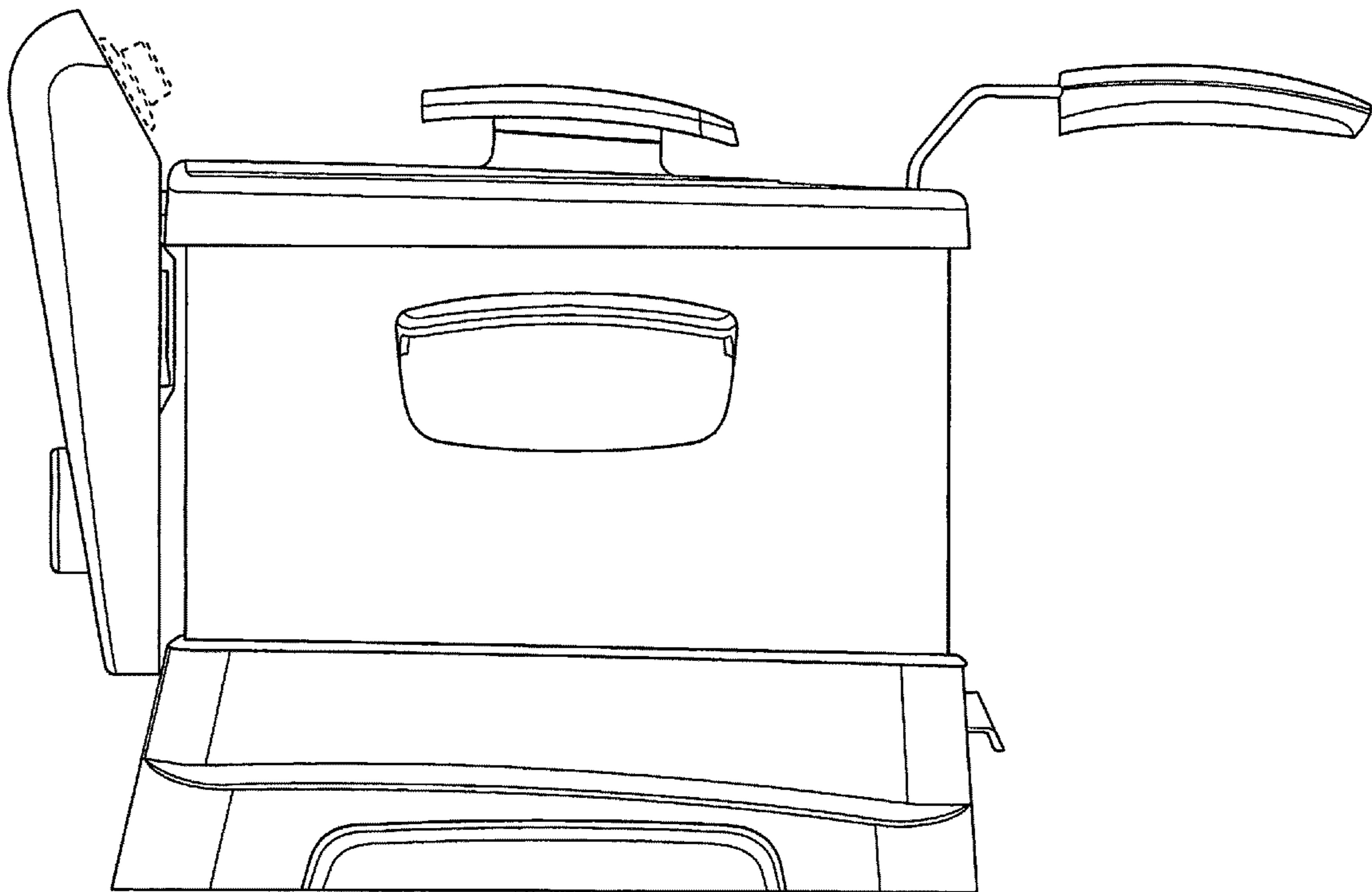


FIG.2

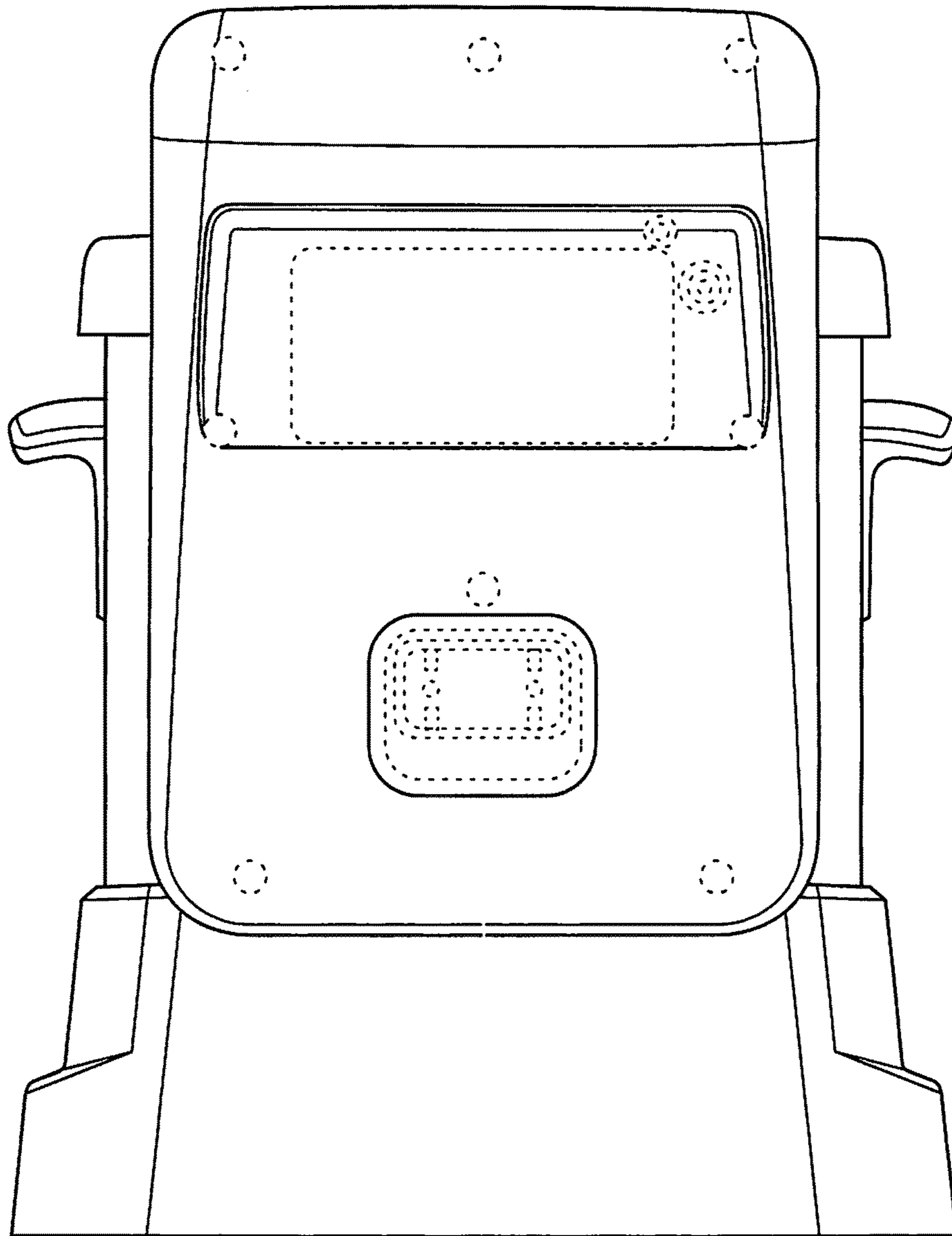


FIG.3

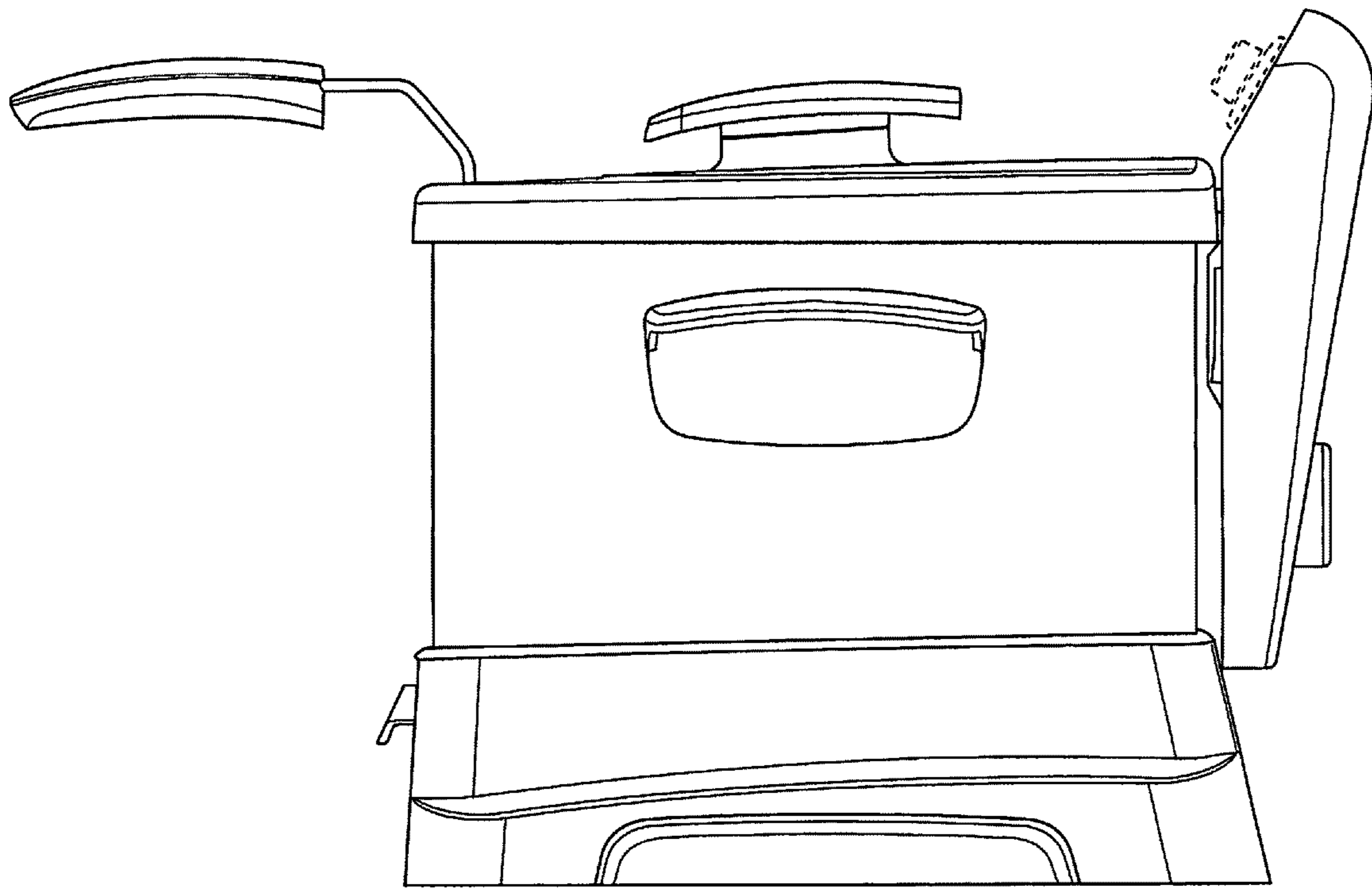


FIG.4

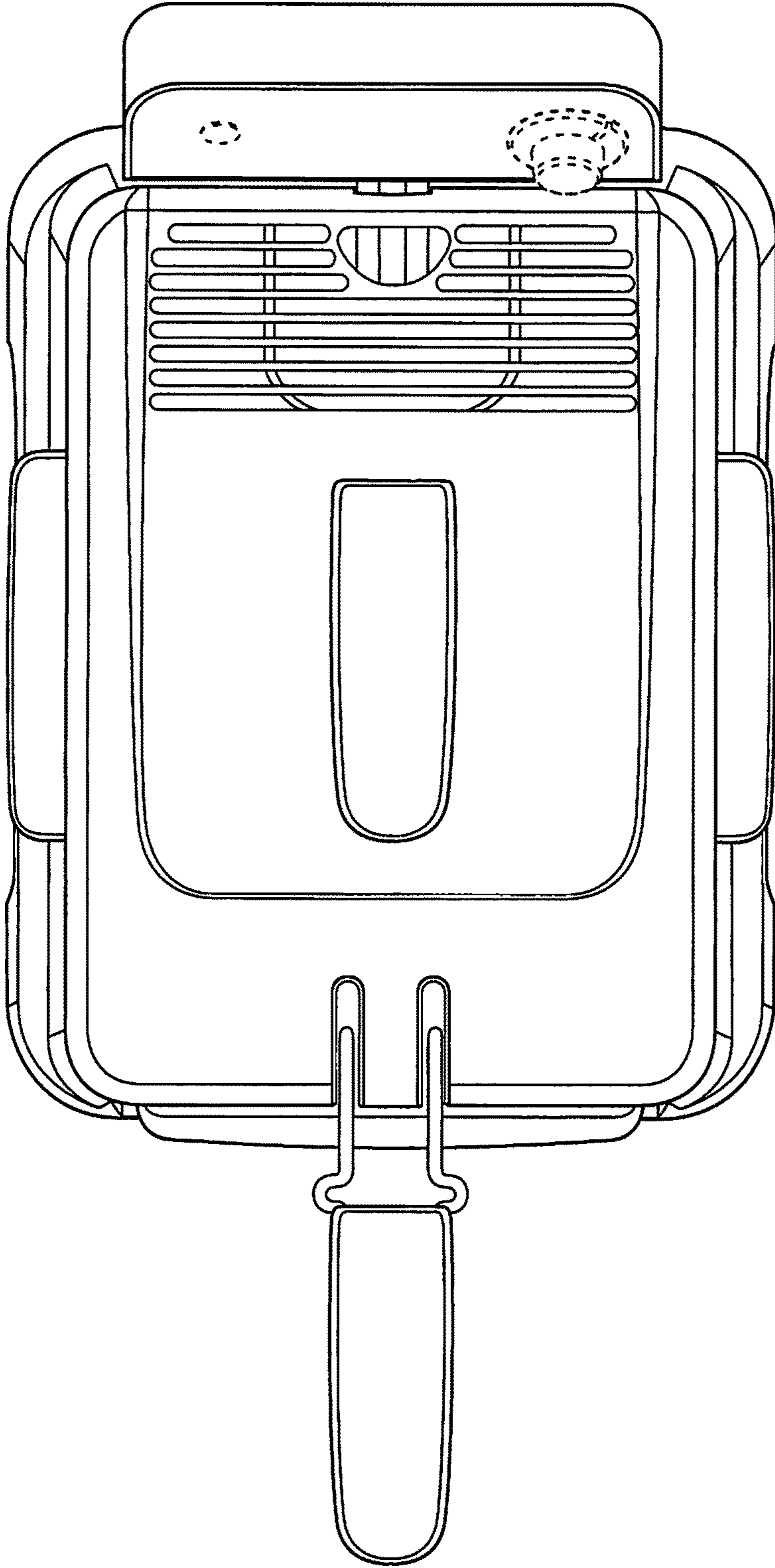


FIG. 5

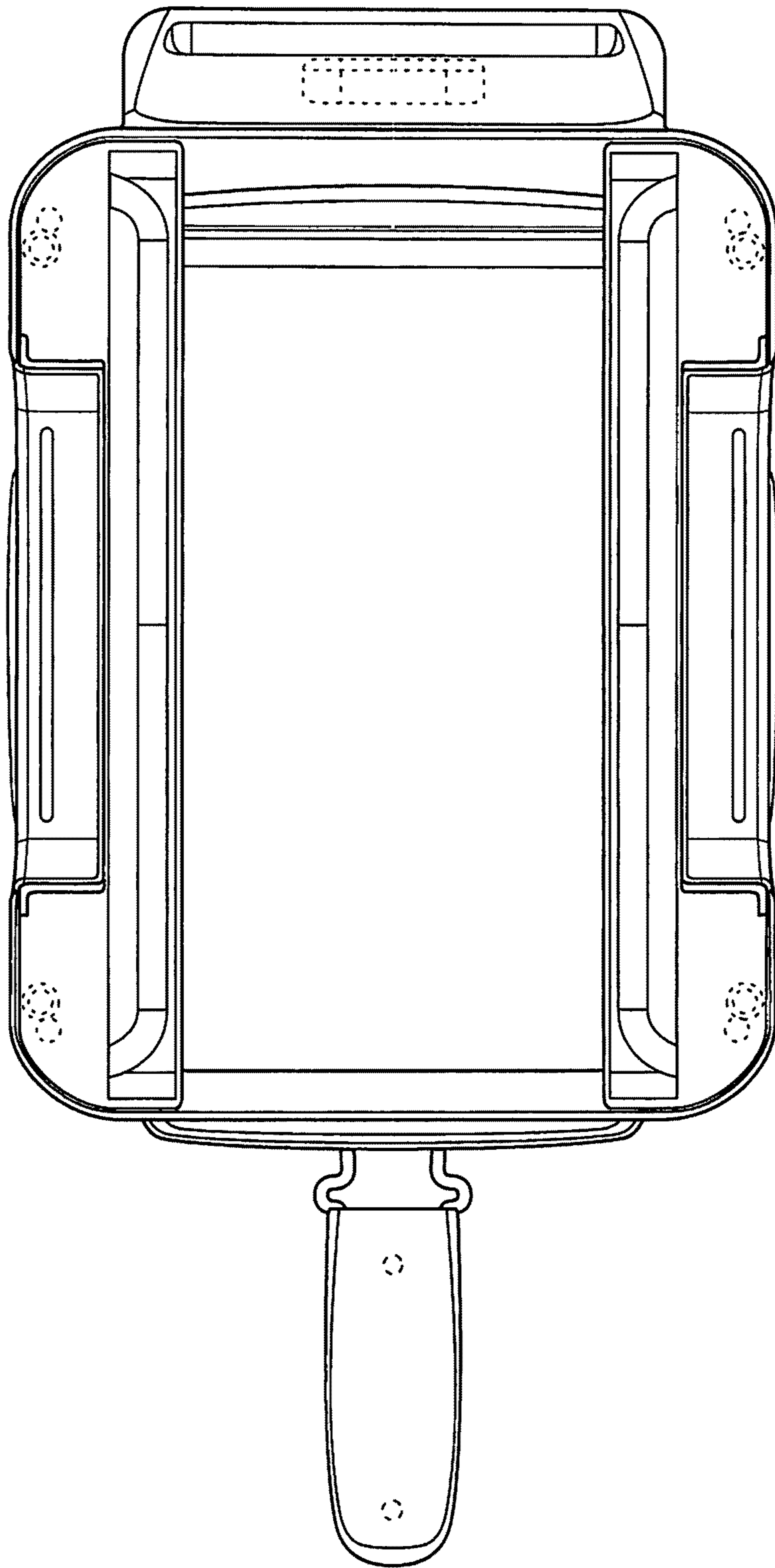


FIG. 6

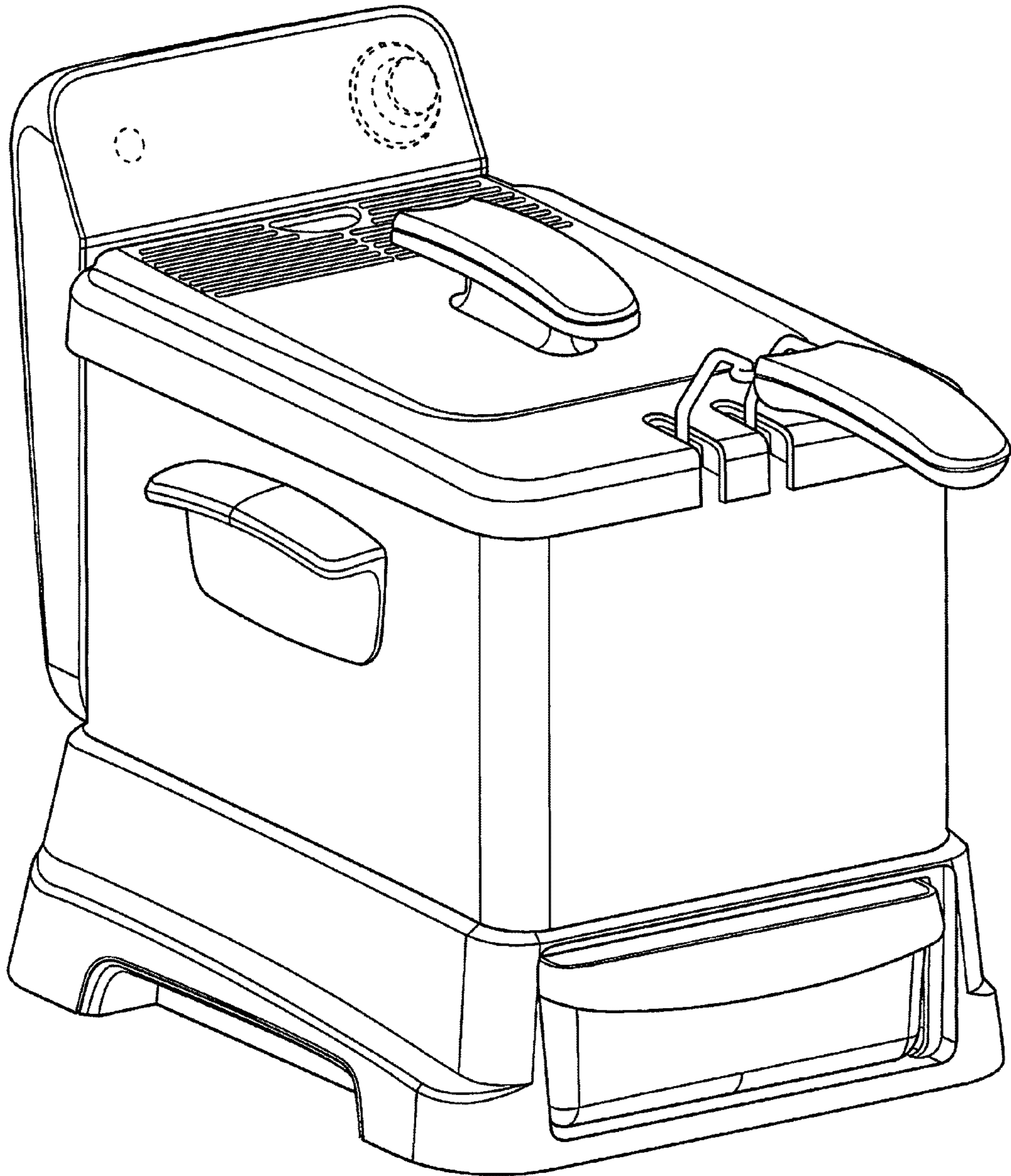


FIG. 7

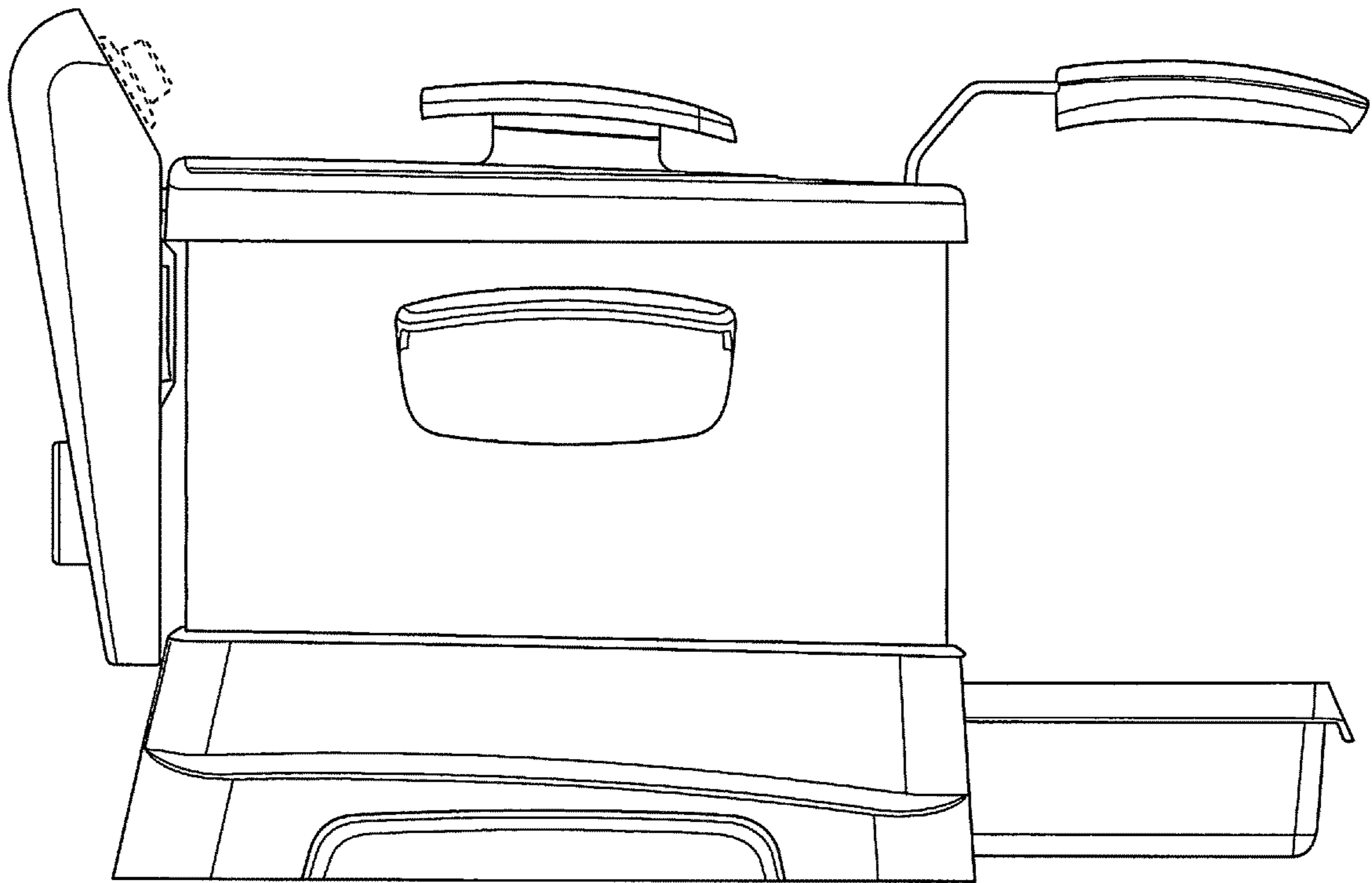


FIG. 8

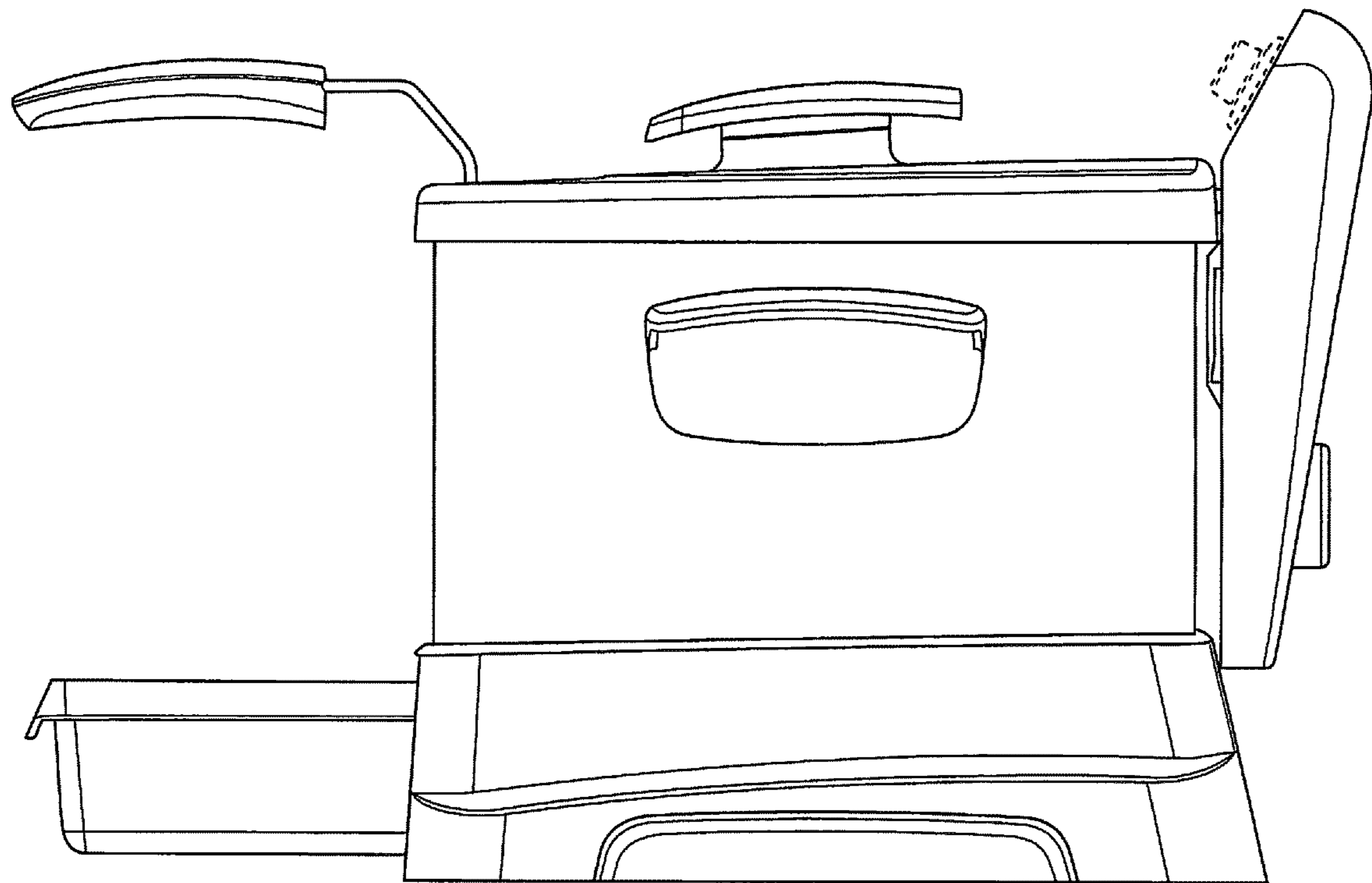


FIG. 9

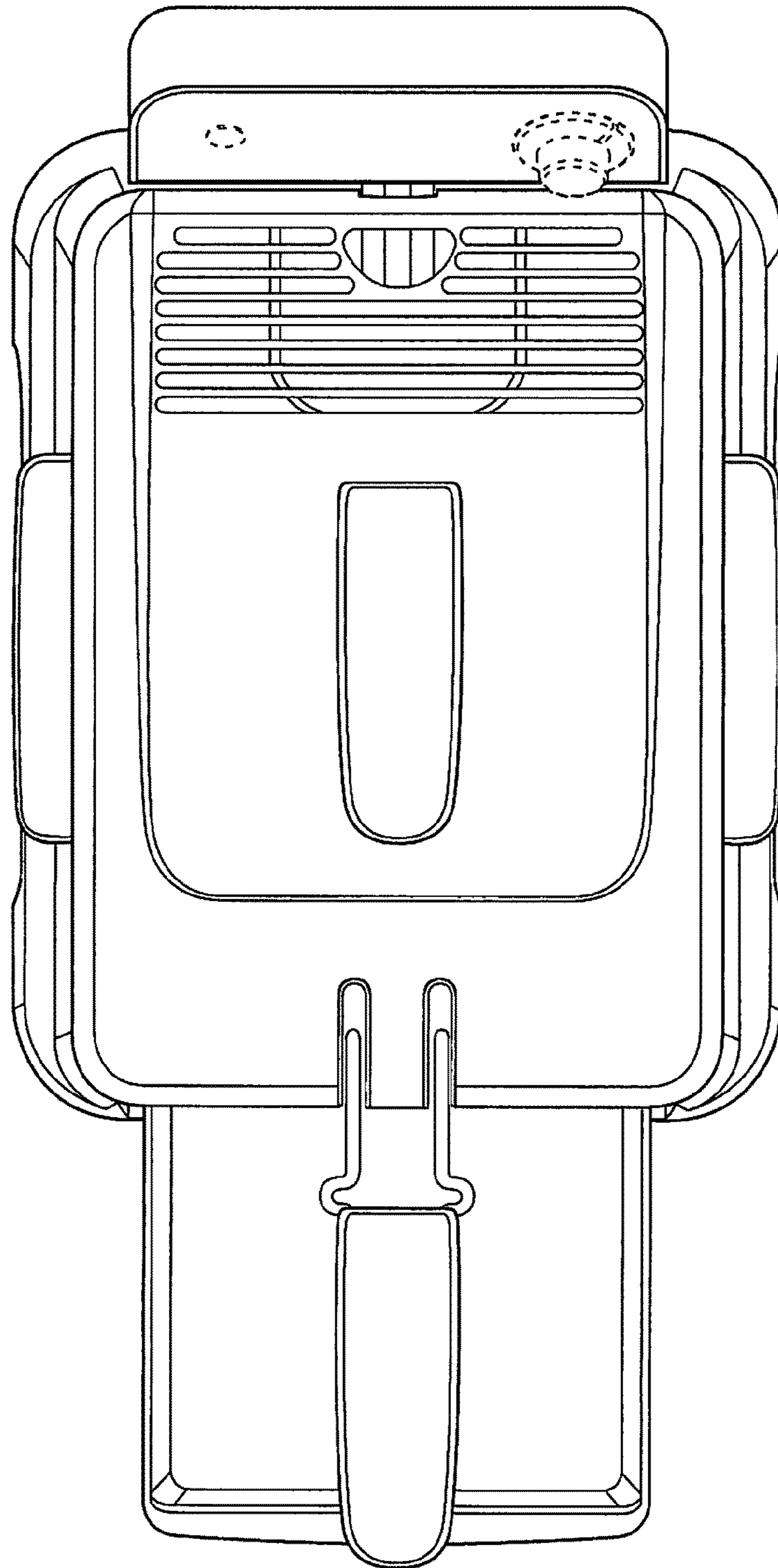


FIG. 10

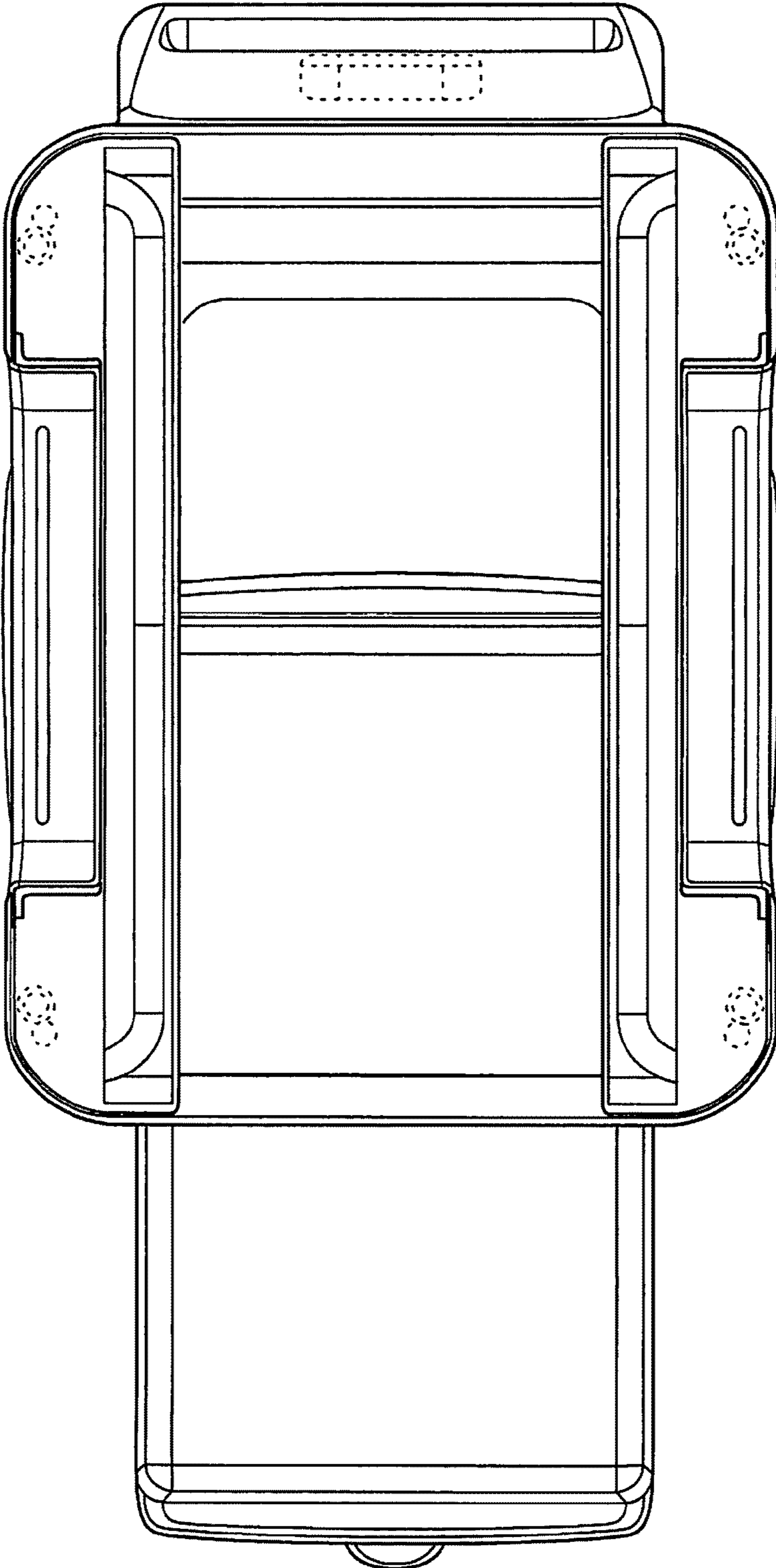


FIG. 11

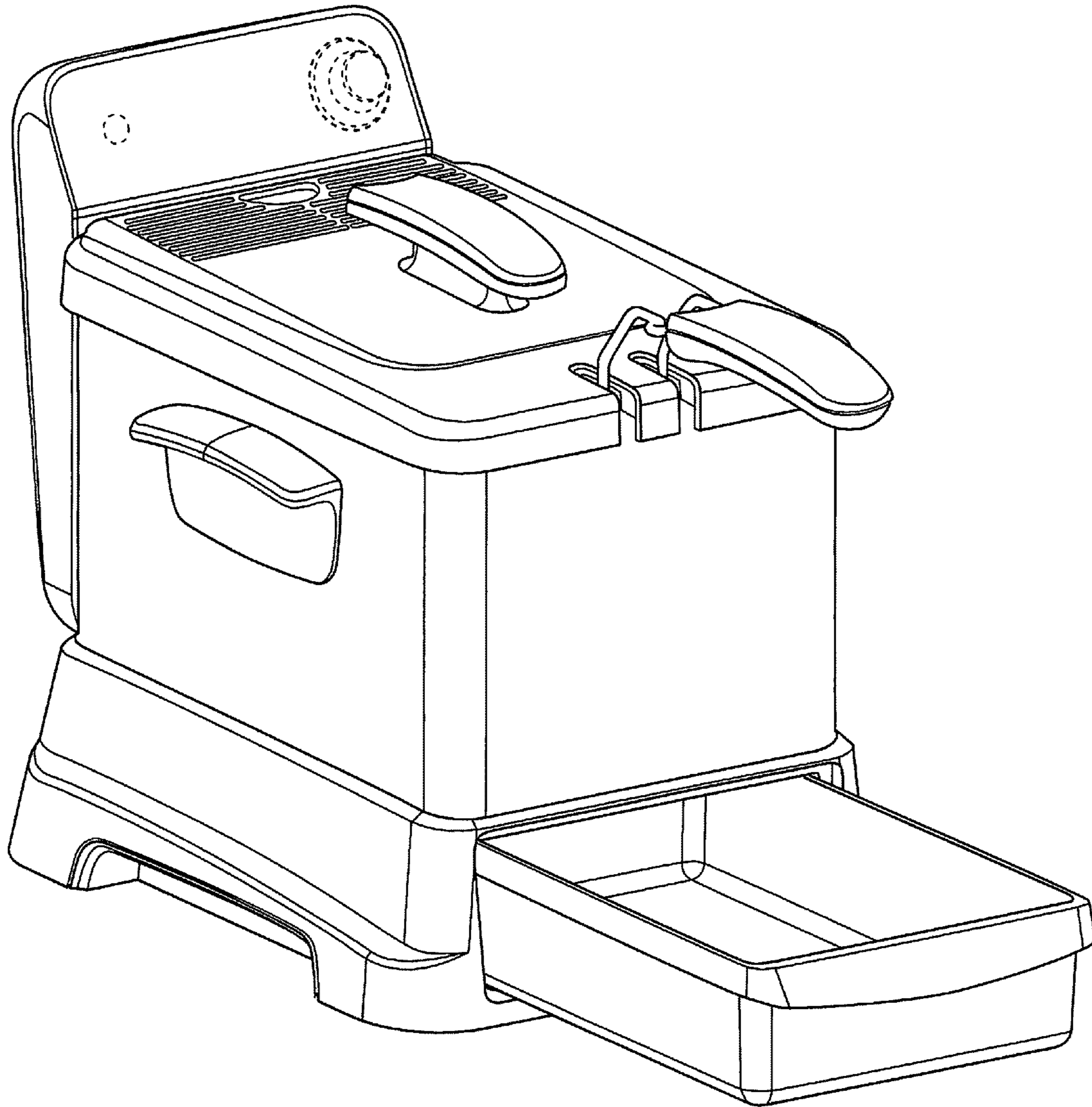


FIG. 12