



US00D760015S

(12) **United States Design Patent**  
**Koszylko**

(10) **Patent No.:** **US D760,015 S**  
(45) **Date of Patent:** **\*\* Jun. 28, 2016**

(54) **GRILL**  
(71) Applicant: **Spectrum Brands, Inc.**, Middleton, WI (US)  
(72) Inventor: **Darek J. Koszylko**, Dane, WI (US)  
(73) Assignee: **Spectrum Brands, Inc.**, Middleton, WI (US)

99/349  
D479,665 S \* 9/2003 Barker ..... D7/352  
D539,074 S \* 3/2007 Lubowicki ..... D7/352  
D550,026 S \* 9/2007 Chao ..... D7/352  
D562,620 S \* 2/2008 Li ..... D7/352  
D572,968 S \* 7/2008 Doo ..... D7/352  
D632,126 S \* 2/2011 Tetreault  
D632,127 S \* 2/2011 Whitcombe ..... D7/352  
D689,728 S \* 9/2013 Steiner ..... D7/352  
D715,085 S \* 10/2014 Piret ..... D7/352  
D718,976 S \* 12/2014 Miller ..... D7/352

(\*\*) Term: **14 Years**

**FOREIGN PATENT DOCUMENTS**

(21) Appl. No.: **29/519,573**

FR 053690-001 7/2005

(22) Filed: **Mar. 6, 2015**

\* cited by examiner

(51) **LOC (10) Cl.** ..... **07-02**

*Primary Examiner* — Ricky Pham

(52) **U.S. Cl.**  
USPC ..... **D7/352**

(74) *Attorney, Agent, or Firm* — Banner & Witcoff, Ltd.

(58) **Field of Classification Search**  
USPC ..... D7/323, 328–330, 337, 347, 352–364,  
D7/367, 402, 409–411

(57) **CLAIM**

The ornamental design for a grill, as shown and described.

CPC ..... A21B 5/023; A47J 27/60; A47J 27/62;  
A47J 37/04; A47J 37/06; A47J 37/067;  
A47J 37/0605; A47J 37/0611; A47J 37/0623;  
A47J 37/0629; A47J 37/0676; A47J 2037/06;  
A47J 2037/0611; F24C 15/10; F24C 15/102;  
H05B 6/02; H05B 6/062

**DESCRIPTION**

See application file for complete search history.

FIG. 1 is a front perspective view of a grill showing my new design;  
FIG. 2 is a top view thereof;  
FIG. 3 is a front view thereof;  
FIG. 4 is a rear view thereof;  
FIG. 5 is a right side view thereof;  
FIG. 6 is a left side view thereof; and,  
FIG. 7 is a bottom view thereof.

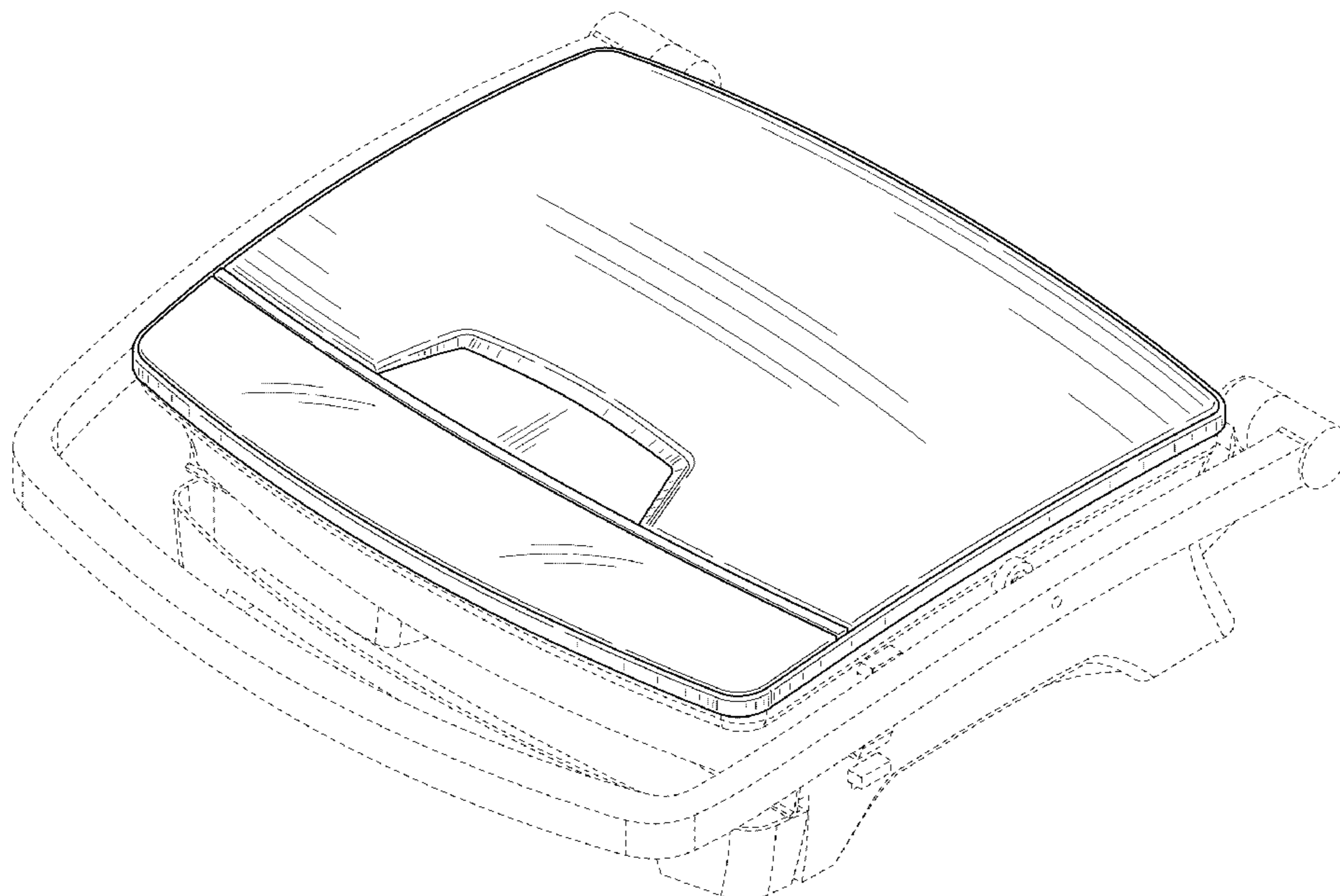
The broken line showing of various elements of the grill is for environmental purposes only and forms no part of the claimed design.

(56) **References Cited**

**U.S. PATENT DOCUMENTS**

D436,794 S \* 1/2001 McClean ..... D7/352  
D452,109 S \* 12/2001 Hensel ..... D7/352  
6,439,108 B1 \* 8/2002 Wu ..... A47J 37/0611

**1 Claim, 4 Drawing Sheets**



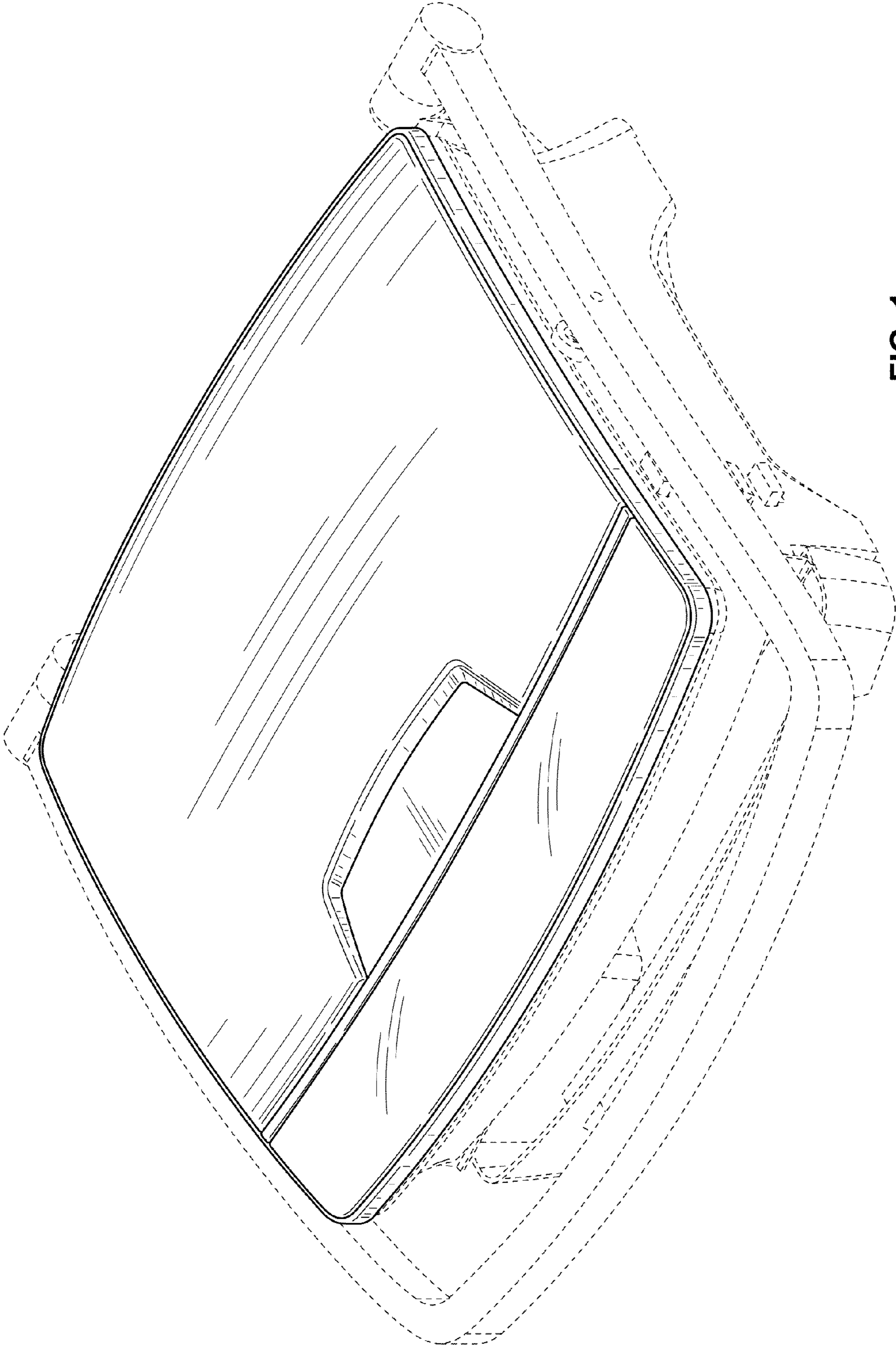


FIG. 1

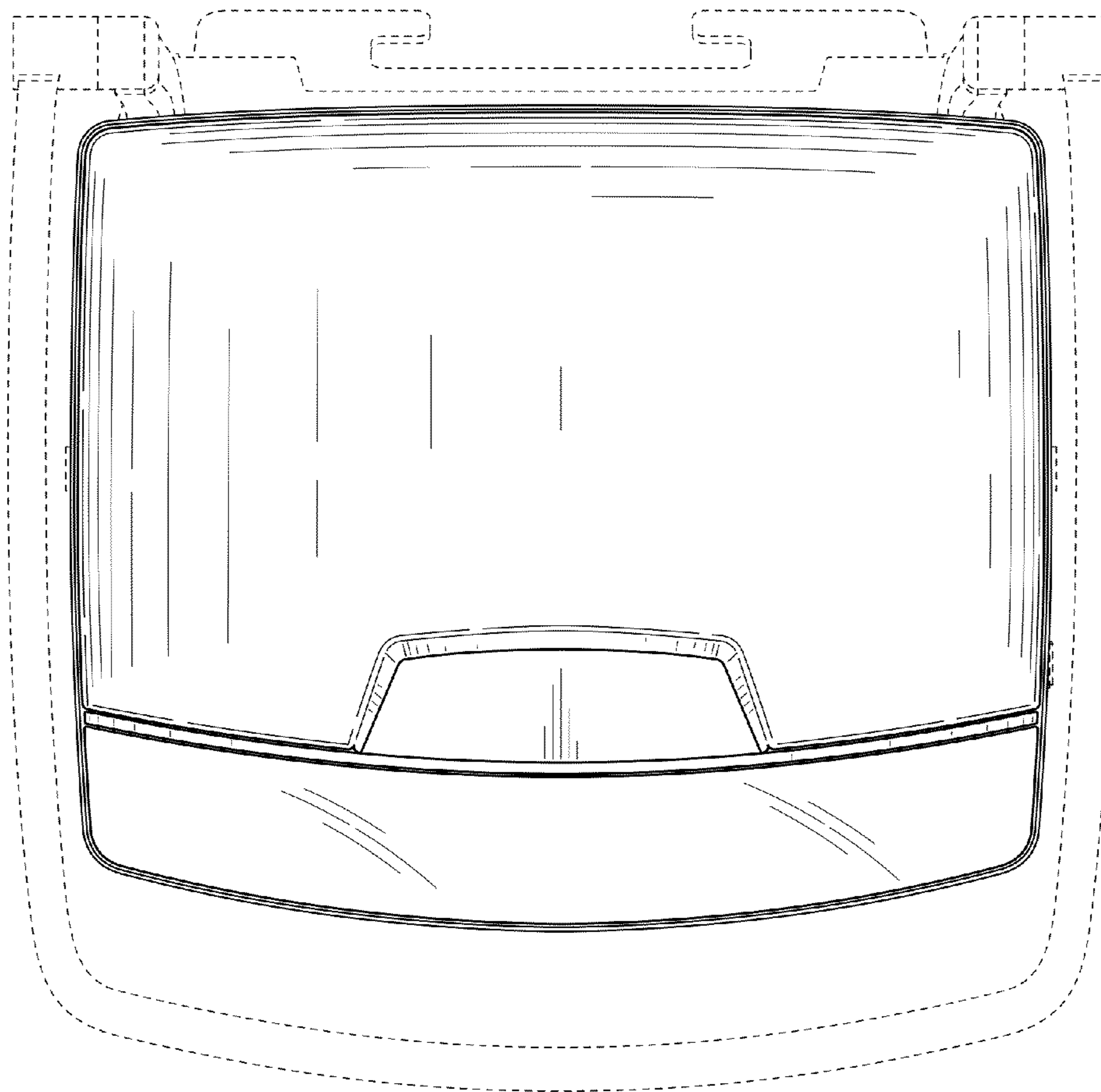


FIG. 2

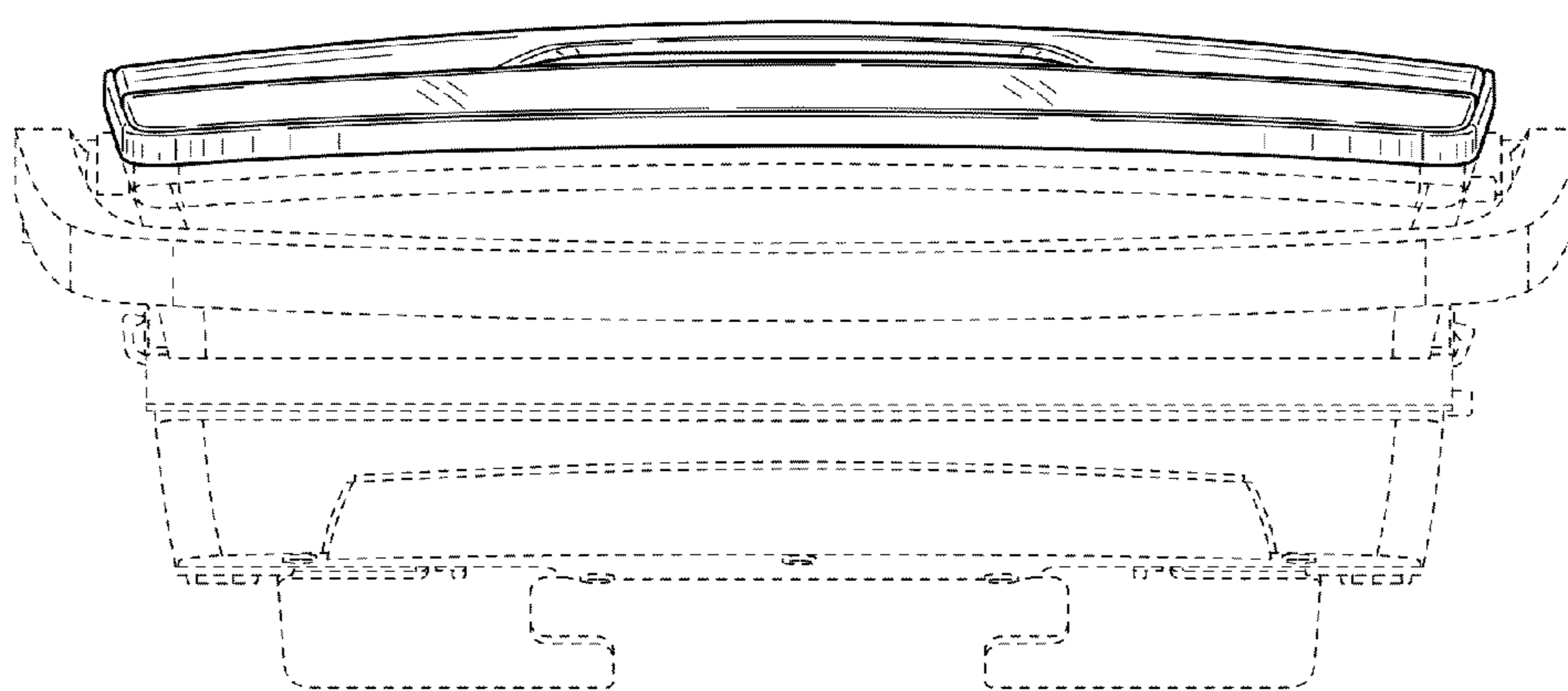


FIG. 3

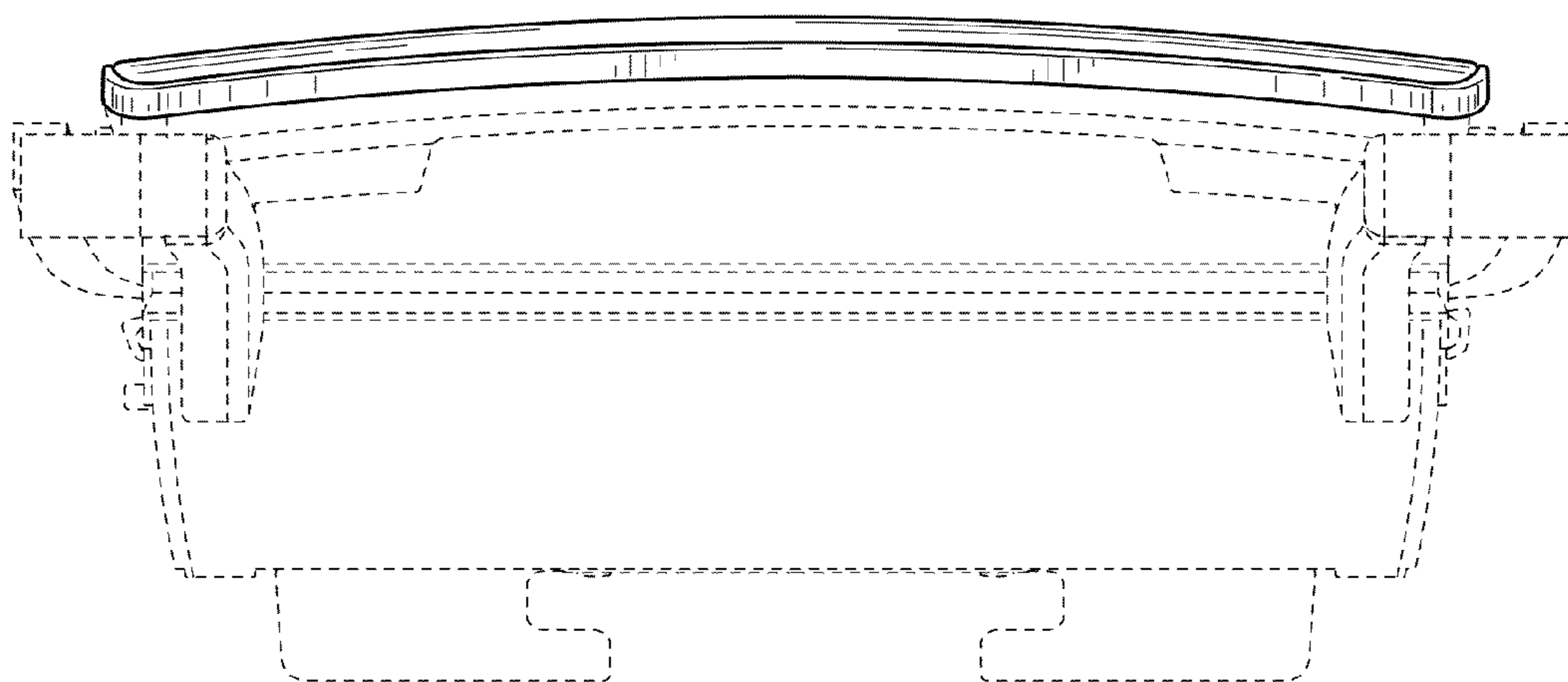


FIG. 4

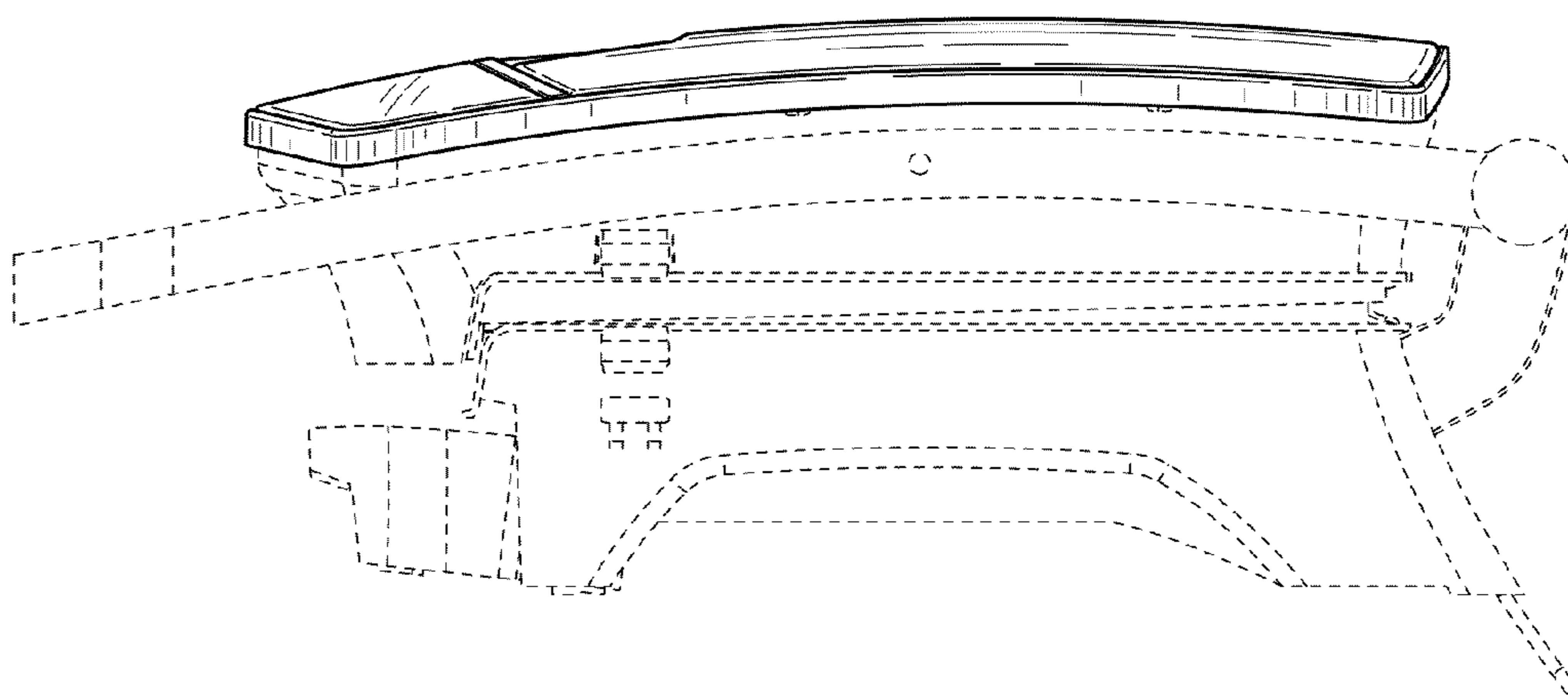


FIG. 5

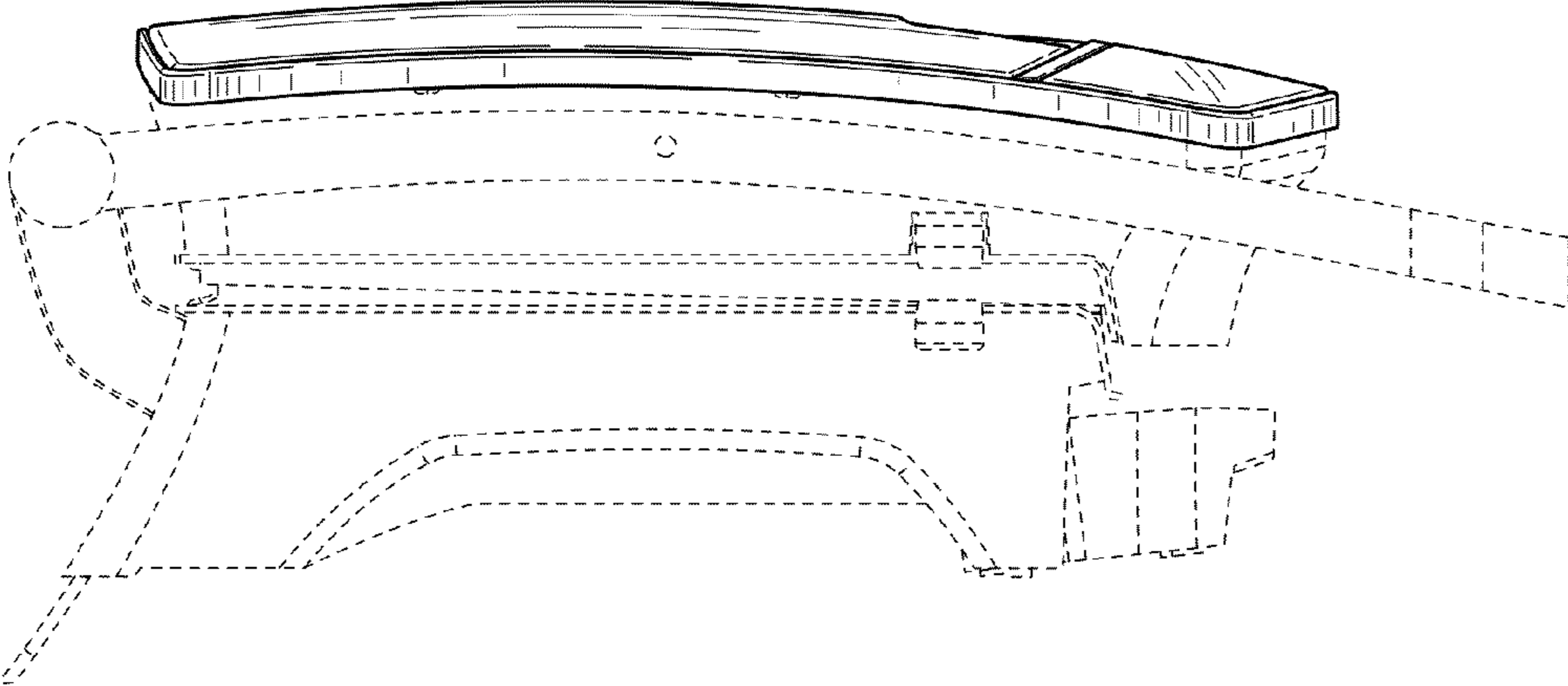


FIG. 6

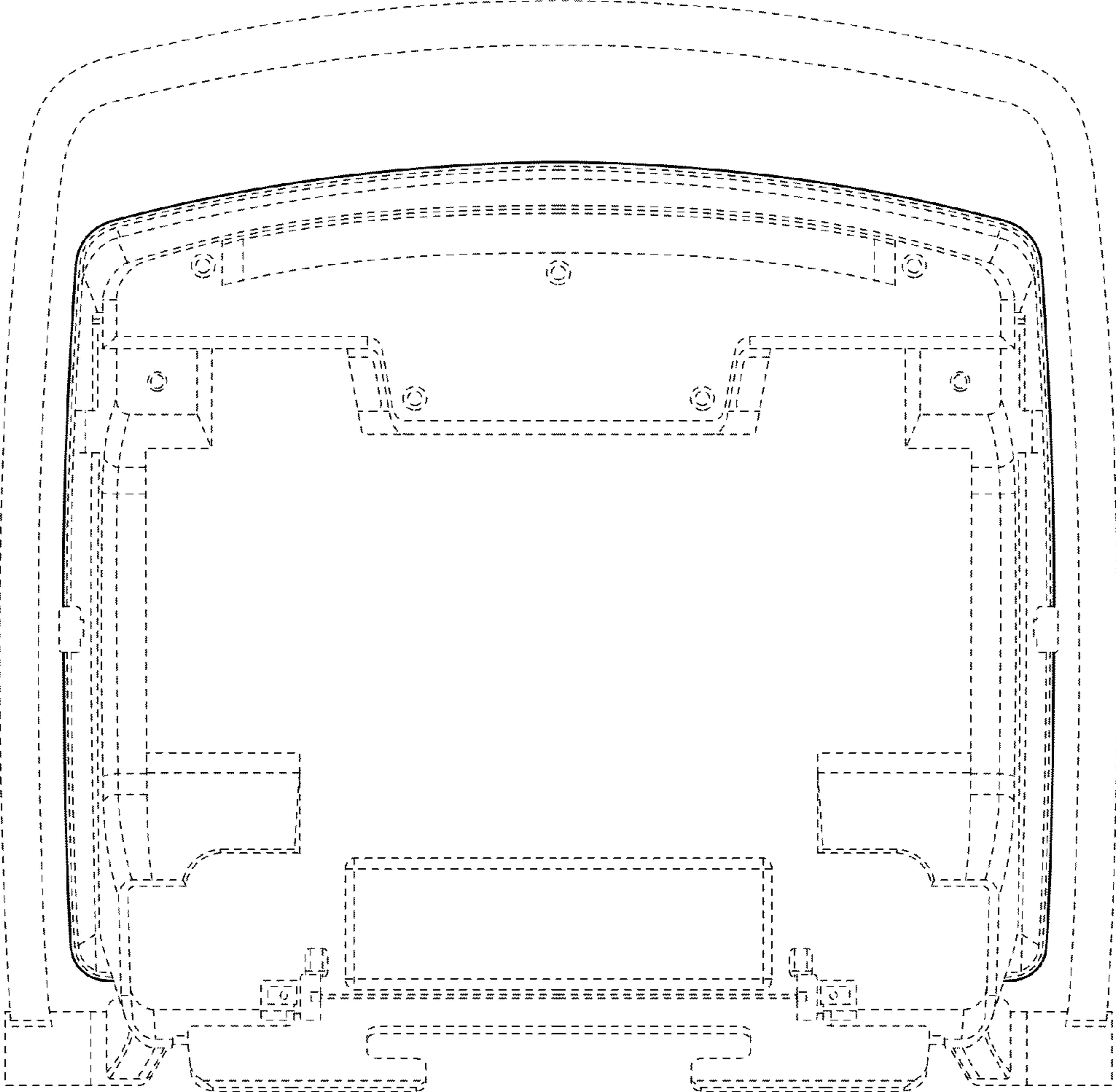


FIG. 7