



US00D760014S

(12) **United States Design Patent**
Koszylko

(10) **Patent No.:** **US D760,014 S**

(45) **Date of Patent:** **** Jun. 28, 2016**

(54) **GRILL WITH ILLUMINATED REGION**

D676,273 S * 2/2013 Liu D7/352
D715,085 S * 10/2014 Piret D7/352
D747,622 S * 1/2016 Yang D7/352

(71) Applicant: **Spectrum Brands, Inc.**, Middleton, WI
(US)

* cited by examiner

(72) Inventor: **Darek J. Koszylko**, Dane, WI (US)

FOREIGN PATENT DOCUMENTS

(73) Assignee: **Spectrum Brands, Inc.**, Middleton, WI
(US)

FR 053690-001 7/2005

Primary Examiner — Ricky Pham

(**) Term: **14 Years**

(74) *Attorney, Agent, or Firm* — Banner & Witcoff, Ltd.

(21) Appl. No.: **29/519,563**

(57) **CLAIM**

The ornamental design for a grill with illuminated region, as shown and described.

(22) Filed: **Mar. 5, 2015**

(51) **LOC (10) Cl.** **07-02**

DESCRIPTION

(52) **U.S. Cl.**

USPC **D7/352**

(58) **Field of Classification Search**

USPC D7/323, 328–330, 337, 347, 352–364,
D7/367, 402, 409–411

CPC A21B 5/023; A47J 27/60; A47J 27/62;
A47J 37/04; A47J 37/06; A47J 37/067;
A47J 37/0605; A47J 37/0611; A47J 37/0623;
A47J 37/0629; A47J 37/0676; A47J 2037/06;
A47J 2037/0611; F24C 15/10; F24C 15/102;
H05B 6/02; H05B 6/062

See application file for complete search history.

The patent or application file contains at least one drawing executed in color. Copies of this patent or patent application publication with color drawing(s) will be provided by the Office upon request and payment of the necessary fee.

FIG. 1 is a front perspective view of a grill with illuminated region in a non-illuminated state showing my new design;

FIG. 2 is a front view thereof;

FIG. 3 is a rear view thereof;

FIG. 4 is a right side view thereof;

FIG. 5 is a left side view thereof;

FIG. 6 is top view thereof;

FIG. 7 is a bottom view thereof;

FIG. 8 is a front perspective view of the grill of FIGS. 1-7 showing the illuminated region in a grayscale representation;

FIG. 9 is a front view thereof;

FIG. 10 is a rear view thereof;

FIG. 11 is a right side view thereof;

FIG. 12 is a left side view thereof;

FIG. 13 is top view thereof;

FIG. 14 is a bottom view thereof;

FIG. 15 is a front perspective view of the grill of FIGS. 1-7 showing the illuminated region by the alternative technique of radiating lines representing illumination;

FIG. 16 is a front view thereof;

FIG. 17 is a rear view thereof;

FIG. 18 is a right side view thereof;

FIG. 19 is a left side view thereof;

(56) **References Cited**

U.S. PATENT DOCUMENTS

D436,794 S * 1/2001 McClean D7/352
D452,109 S * 12/2001 Hensel D7/352
D479,665 S * 9/2003 Barker D7/352
D504,795 S * 5/2005 Schulte D7/337
D506,636 S * 6/2005 Schulte D7/337
D539,074 S * 3/2007 Lubowicki D7/352
D572,968 S 7/2008 Doo
D576,443 S * 9/2008 Chung D7/337
D577,534 S * 9/2008 Chung D7/337
D583,186 S * 12/2008 Barnes D7/352
D632,126 S 2/2011 Tetreault
D632,127 S 2/2011 Whitcombe
D668,906 S * 10/2012 Lavy D7/352

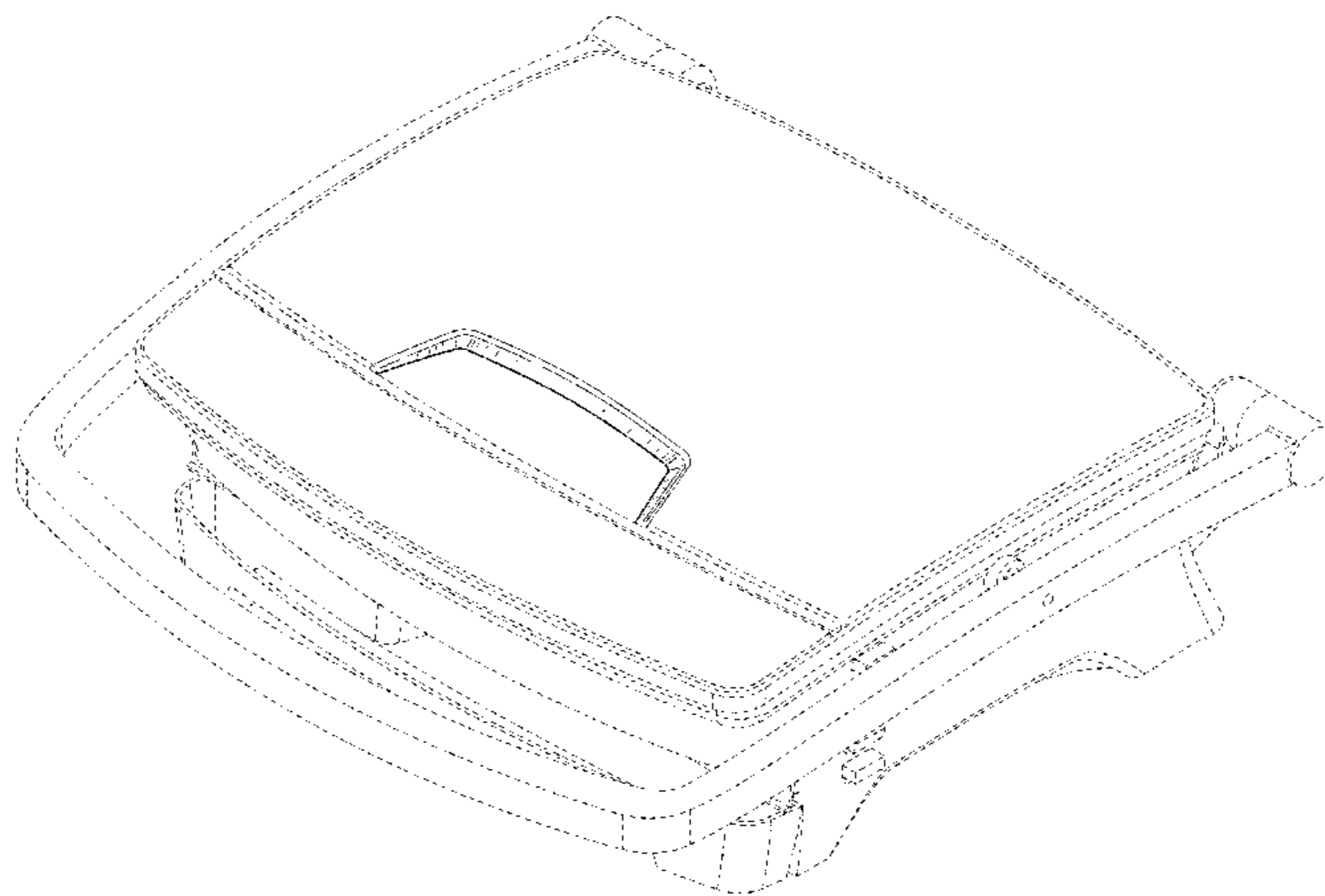


FIG. 20 is top view thereof;
FIG. 21 is a bottom view thereof;
FIG. 22 is a front perspective view of the grill of FIGS. 8-14/15-21 but showing an alternative embodiment reflecting a blue illuminated region;
FIG. 23 is a front view thereof;
FIG. 24 is a rear view thereof;
FIG. 25 is a right side view thereof;
FIG. 26 is a left side view thereof;
FIG. 27 is top view thereof;
FIG. 28 is a bottom view thereof;
FIG. 29 is a front perspective view of the grill of FIGS. 22-28 showing the blue illuminated region in part by the technique of radiating lines;

FIG. 30 is a front view thereof;
FIG. 31 is a rear view thereof;
FIG. 32 is a right side view thereof;
FIG. 33 is a left side view thereof;
FIG. 34 is top view thereof; and,
FIG. 35 is a bottom view thereof.

The broken line showing the remainder of the grill are for environmental purposes only and form no part of the claimed design. The radiating lines emanating from the illuminated region in FIGS. 15-21, 29-35, the region shown in grayscale in FIGS. 8-14 and the region shown in the color blue in FIGS. 22-28 represent illumination.

**1 Claim, 25 Drawing Sheets
(8 of 25 Drawing Sheet(s) Filed in Color)**

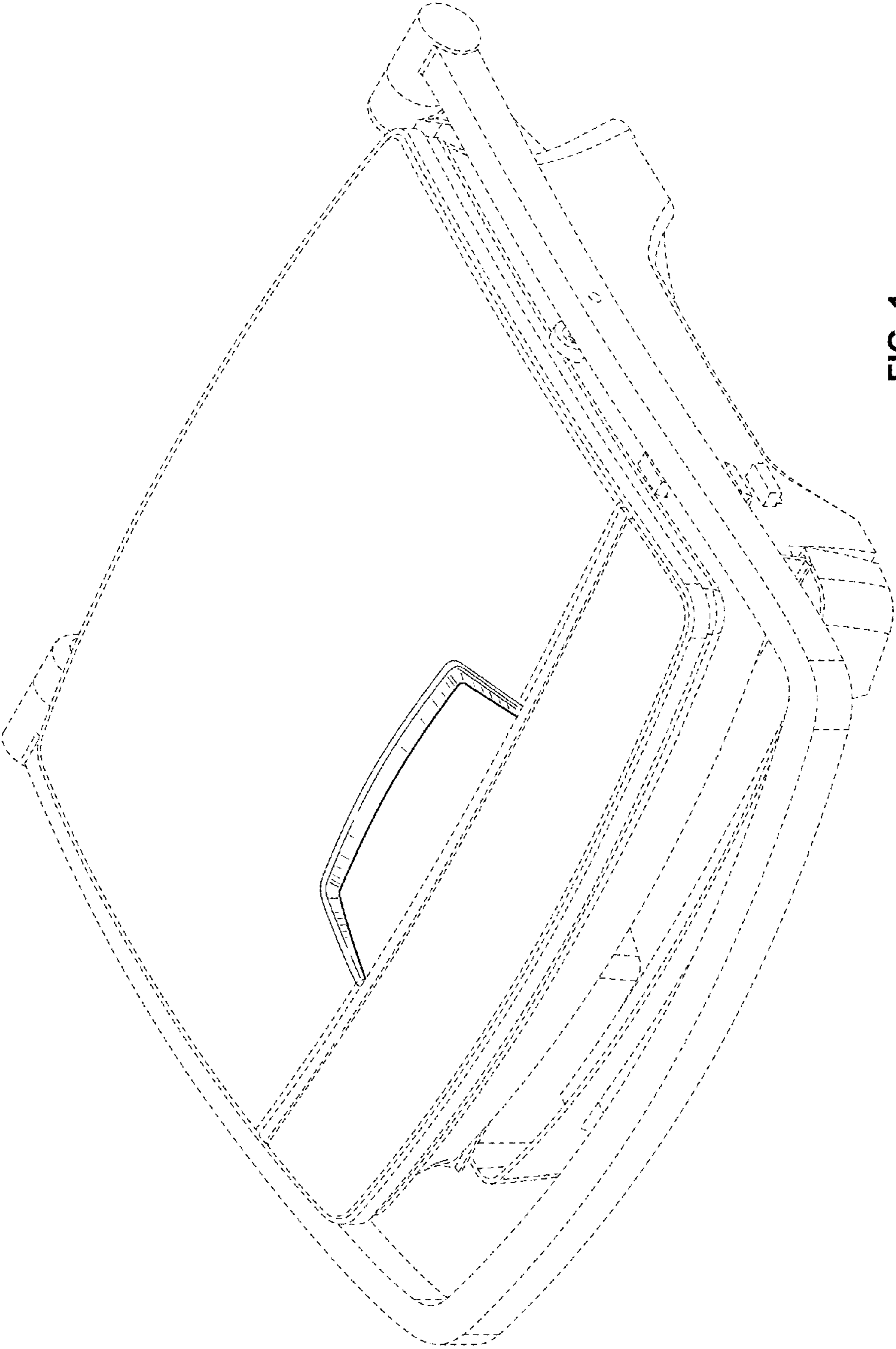


FIG. 1

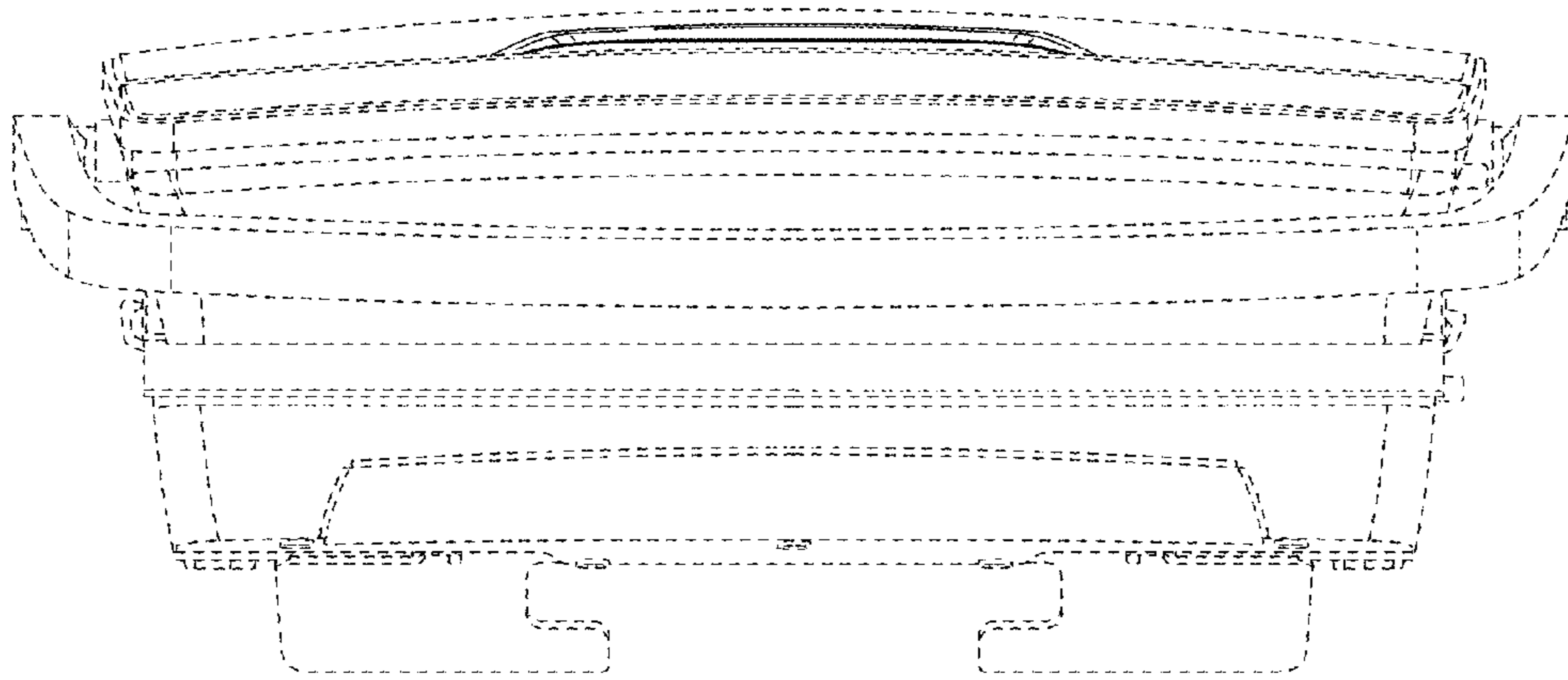


FIG. 2

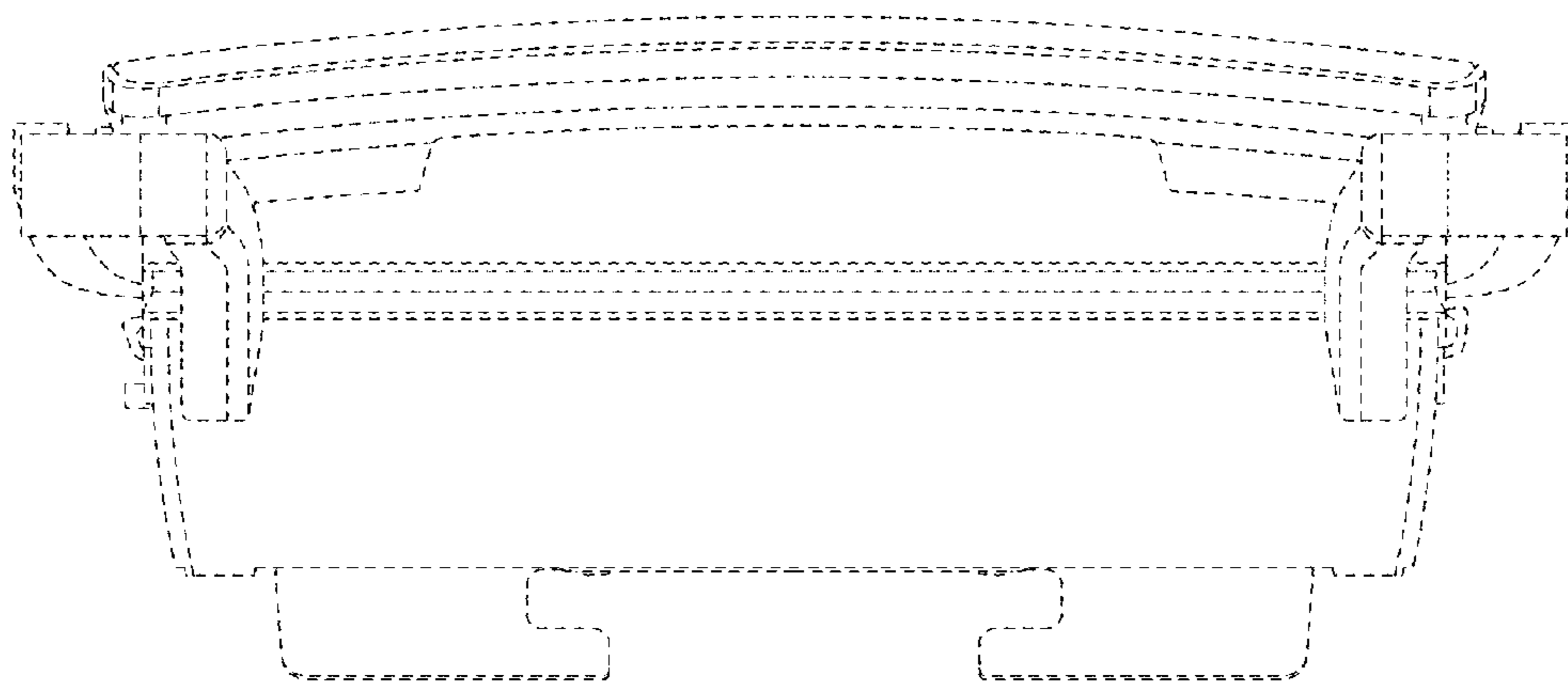


FIG. 3

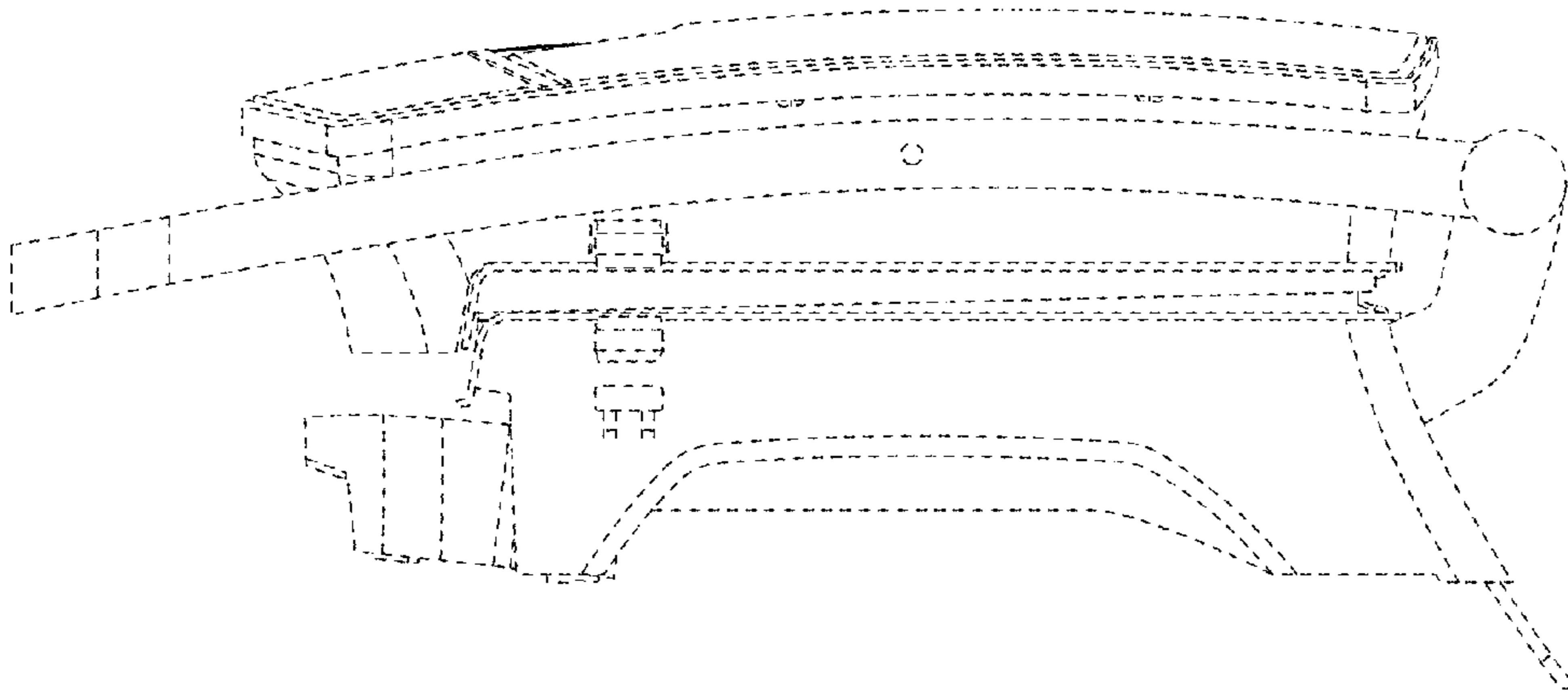


FIG. 4

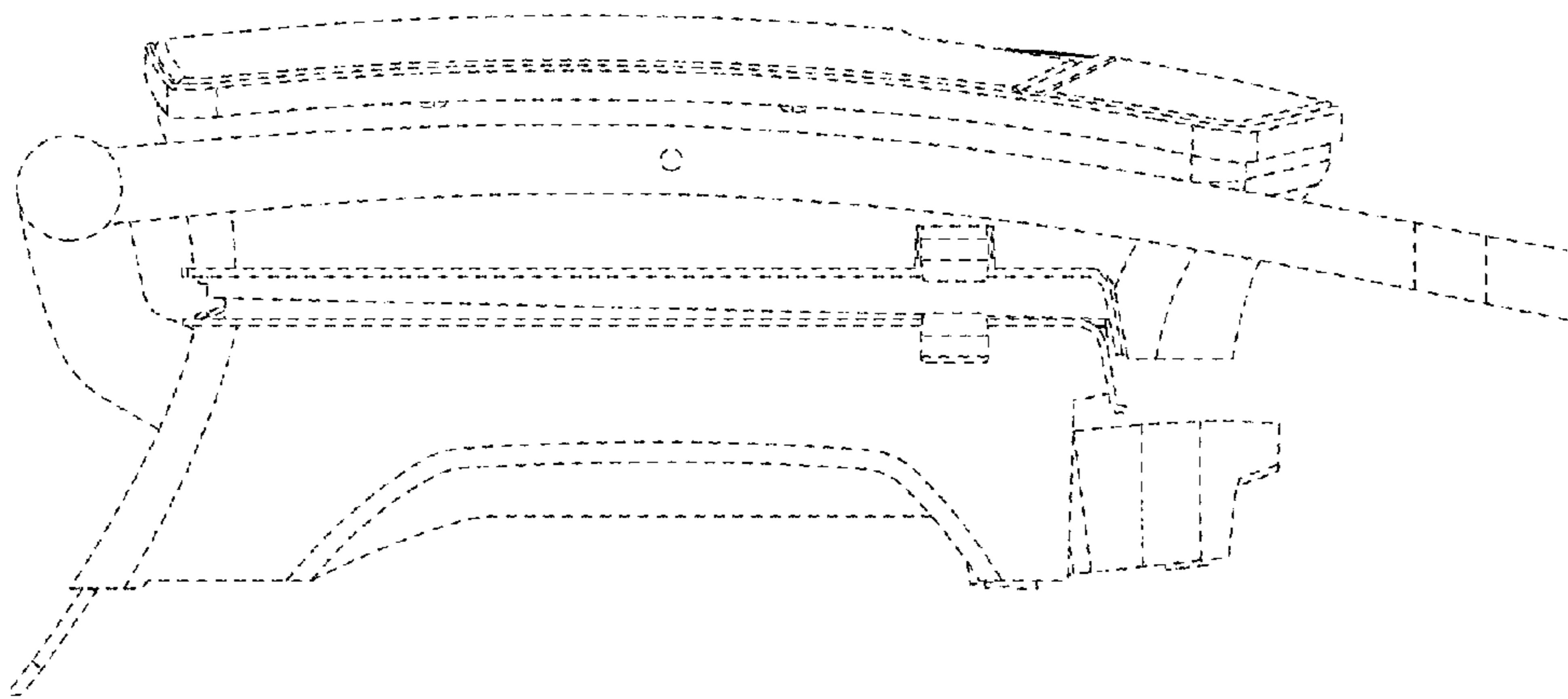


FIG. 5

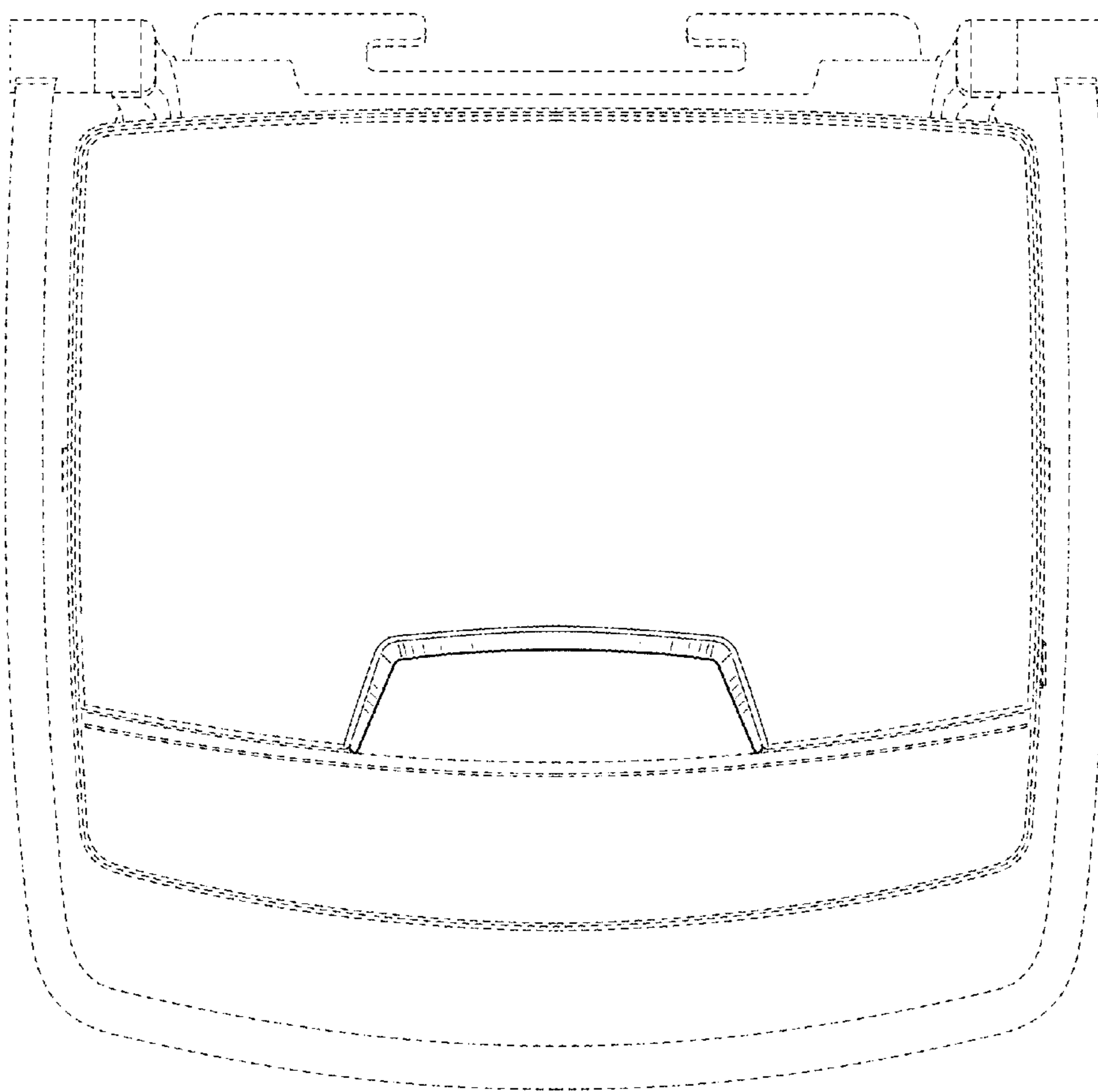


FIG. 6

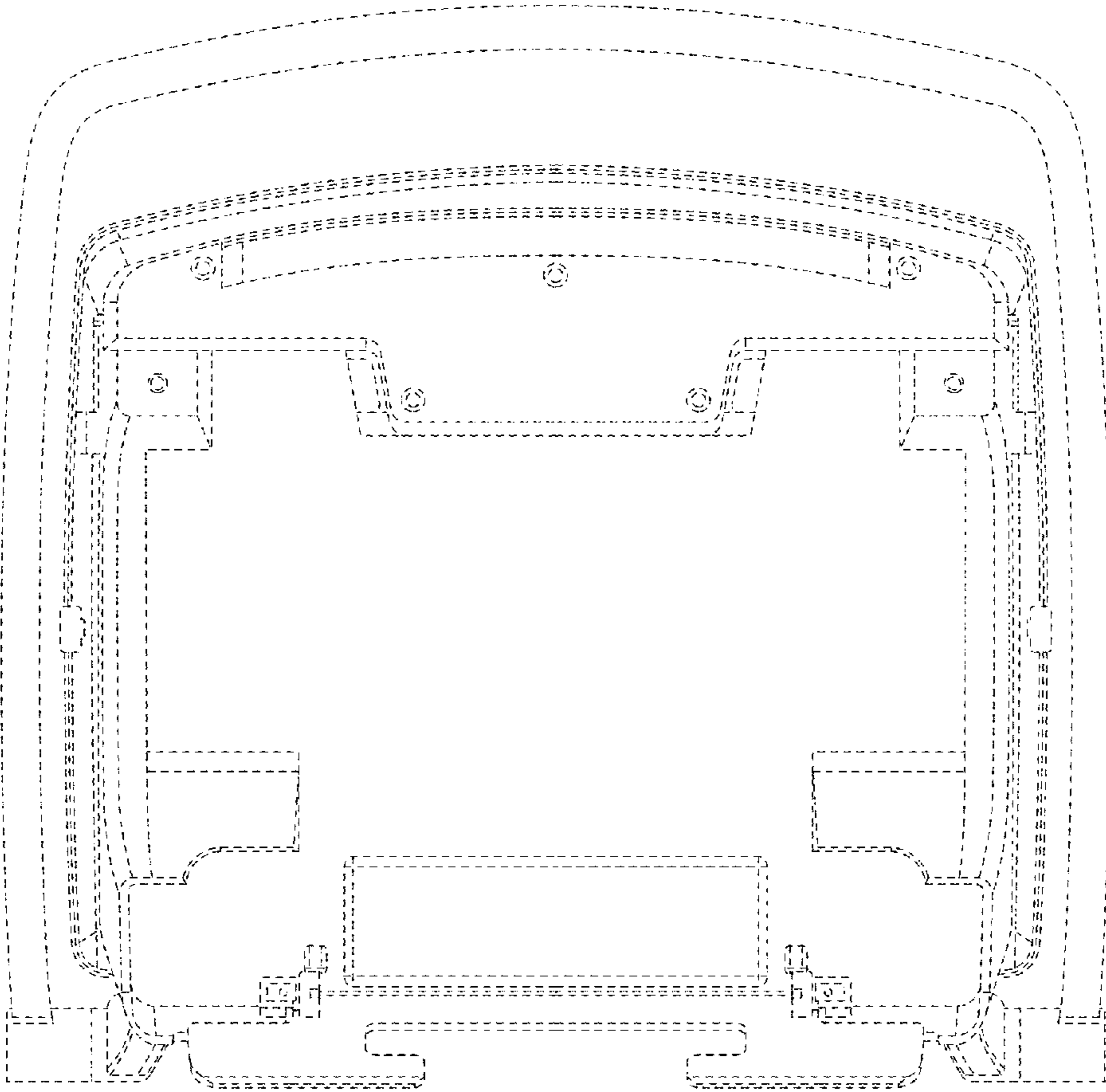


FIG. 7

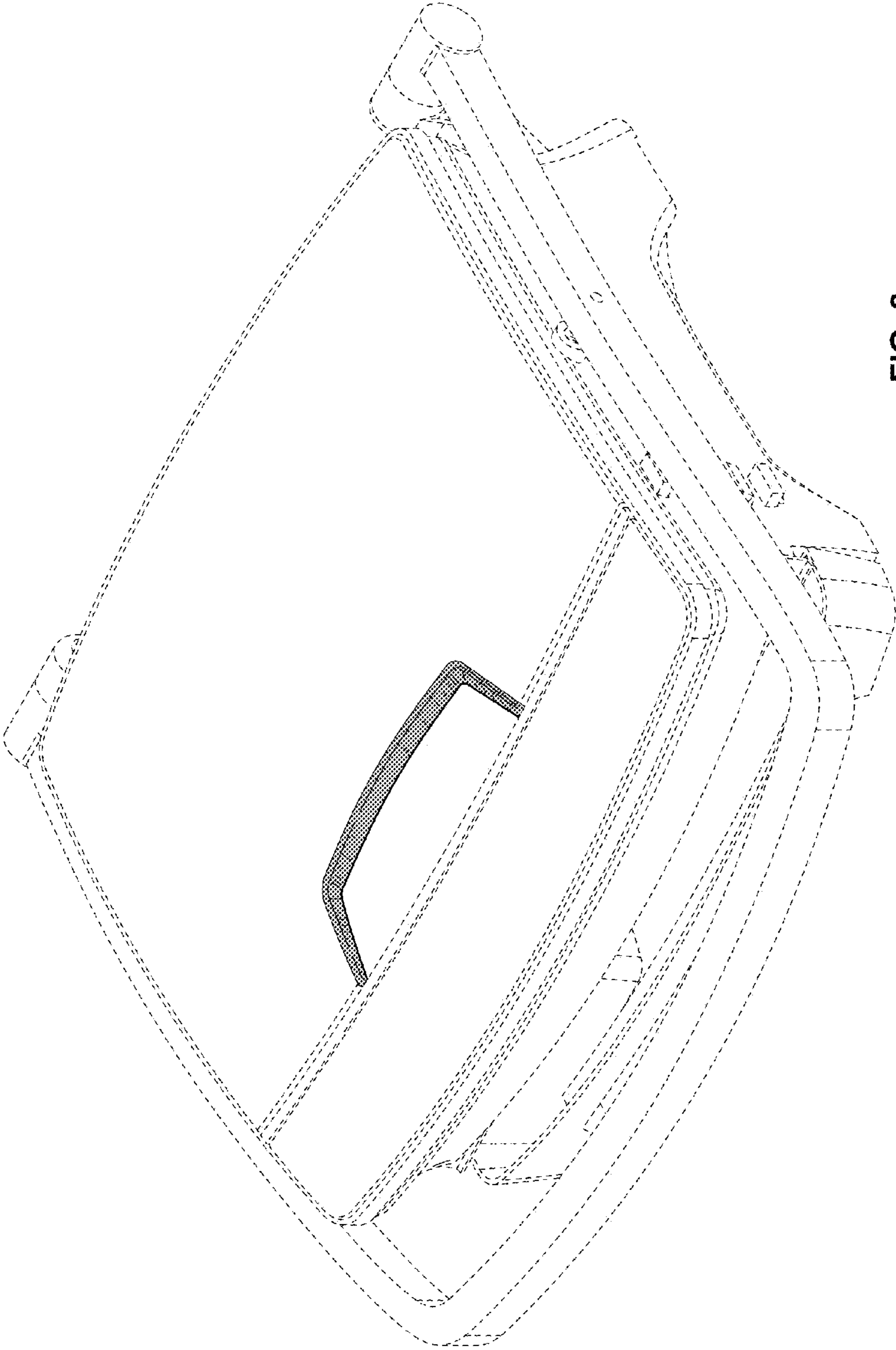


FIG. 8

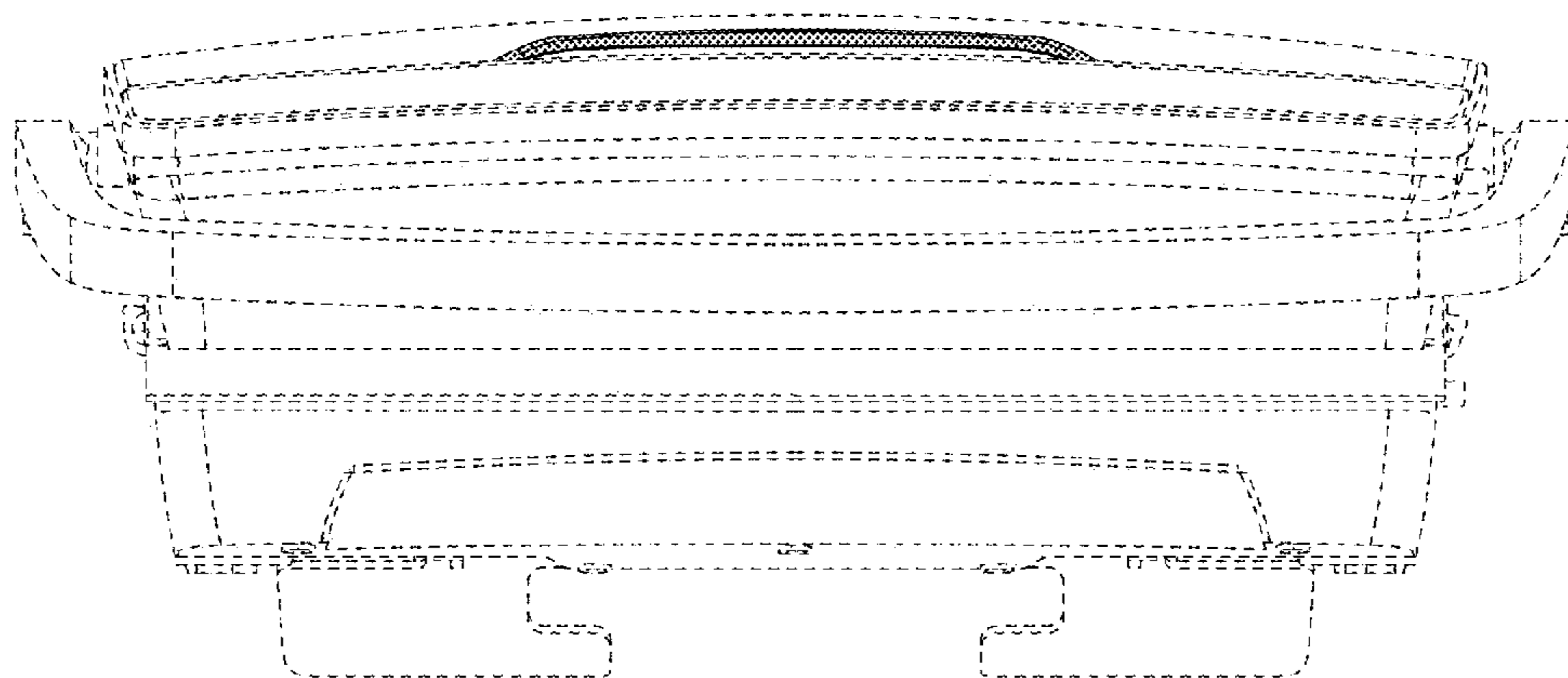


FIG. 9

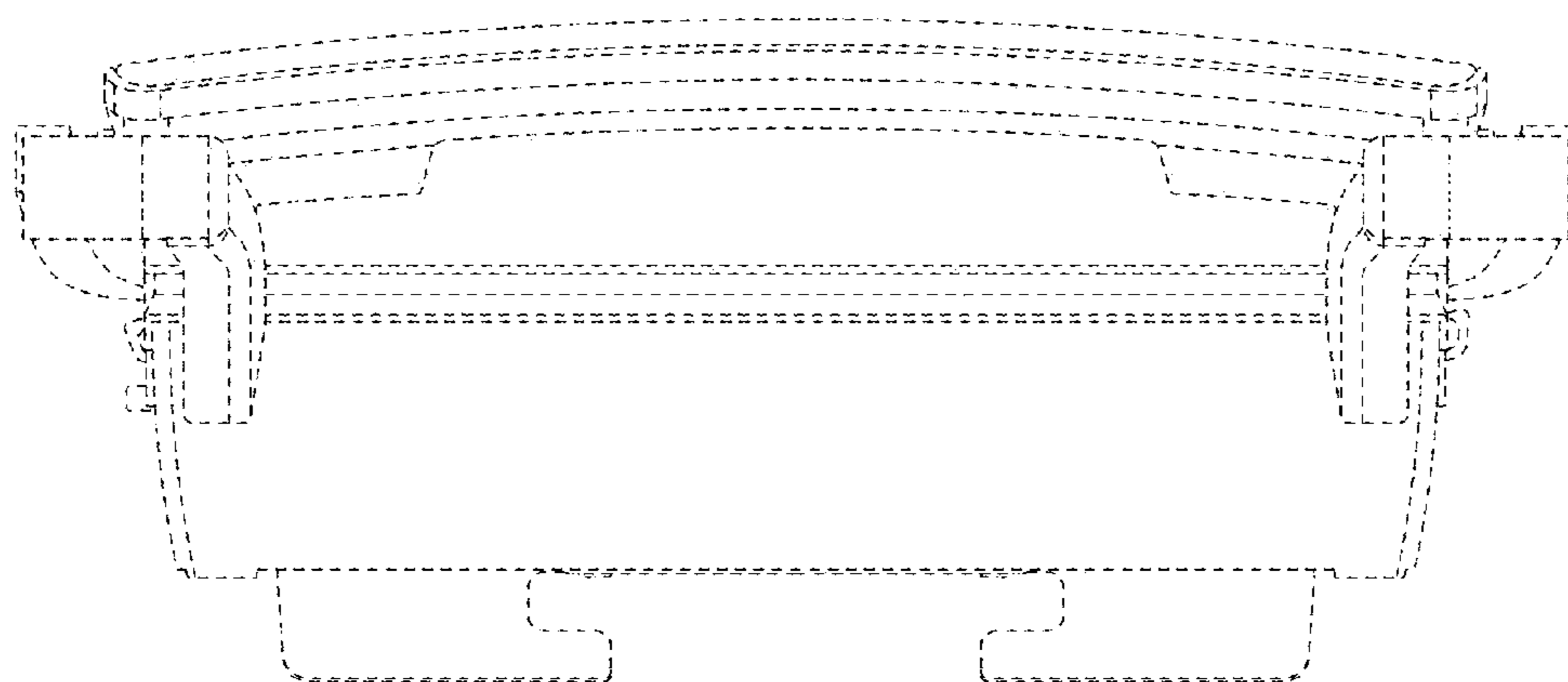


FIG. 10

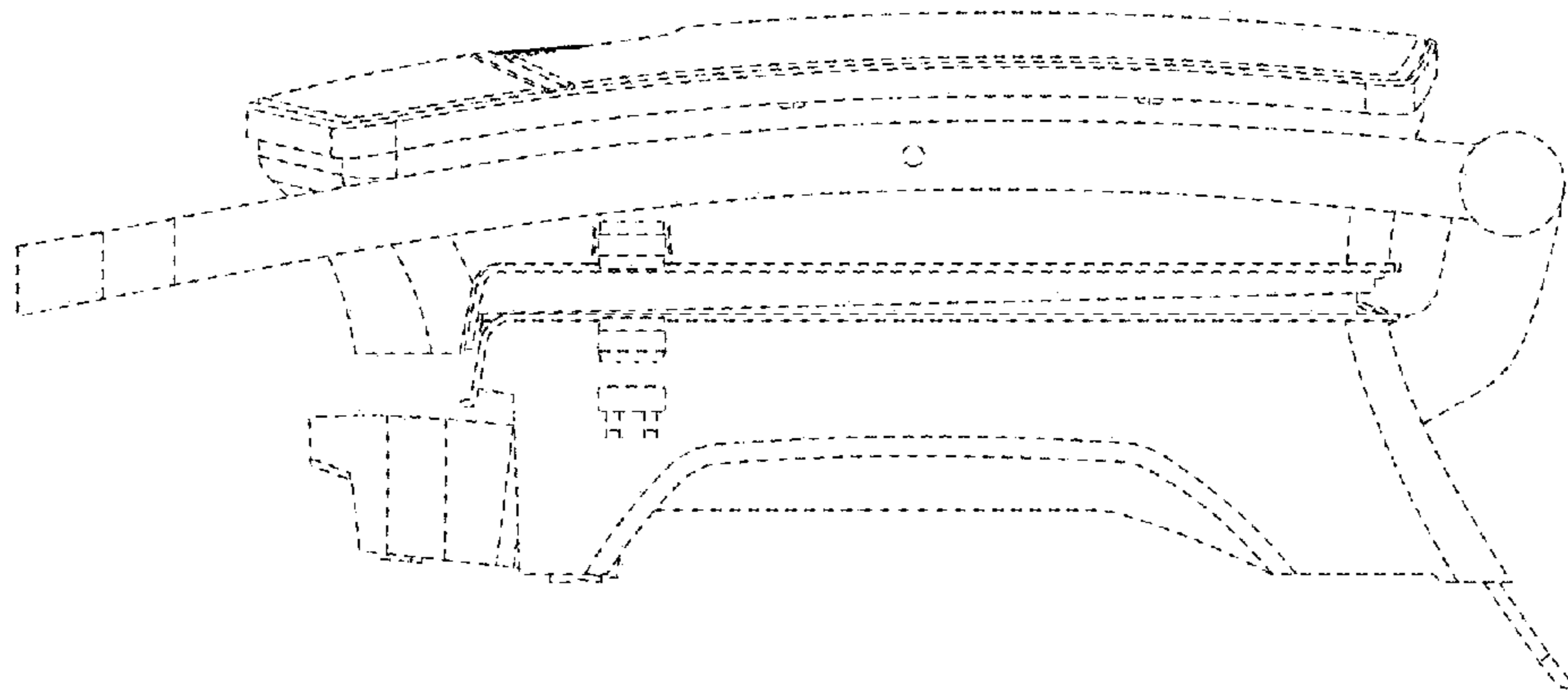


FIG. 11

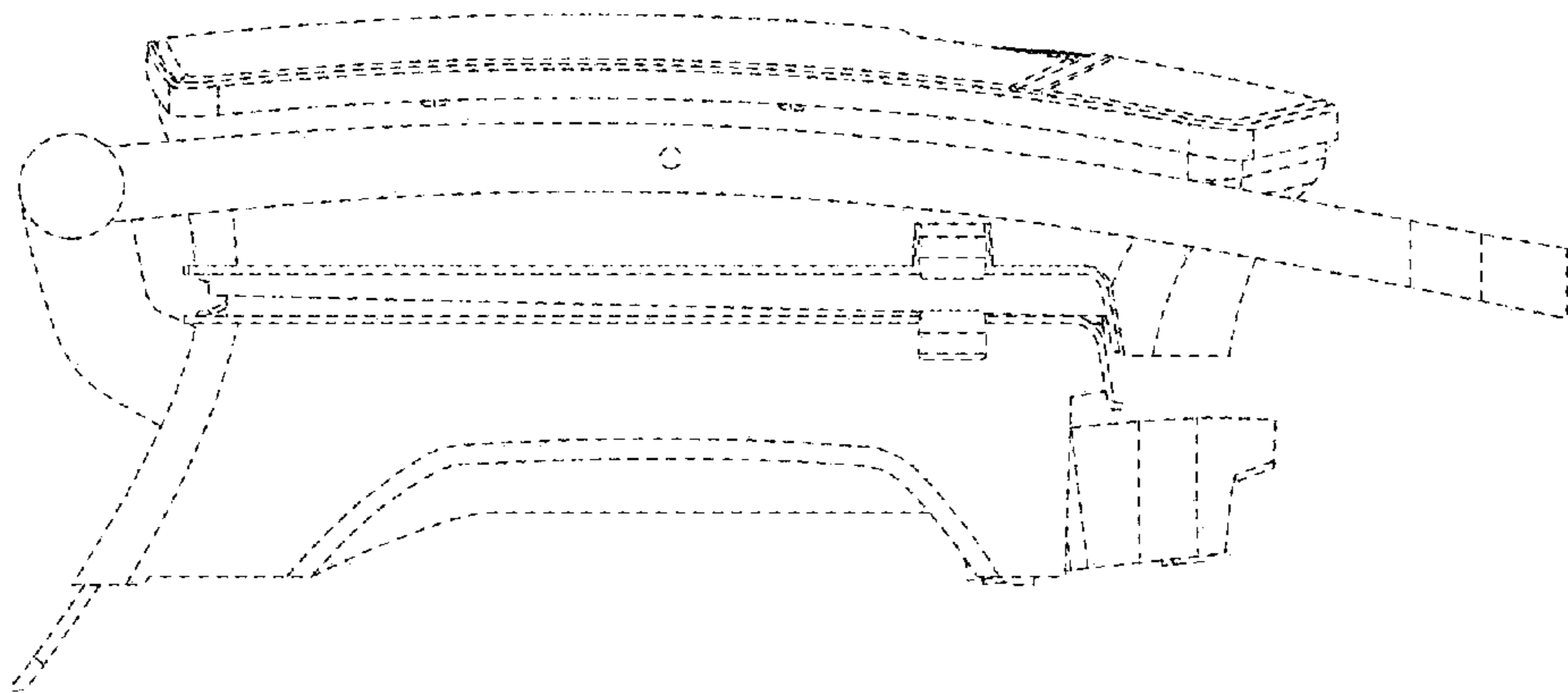


FIG. 12

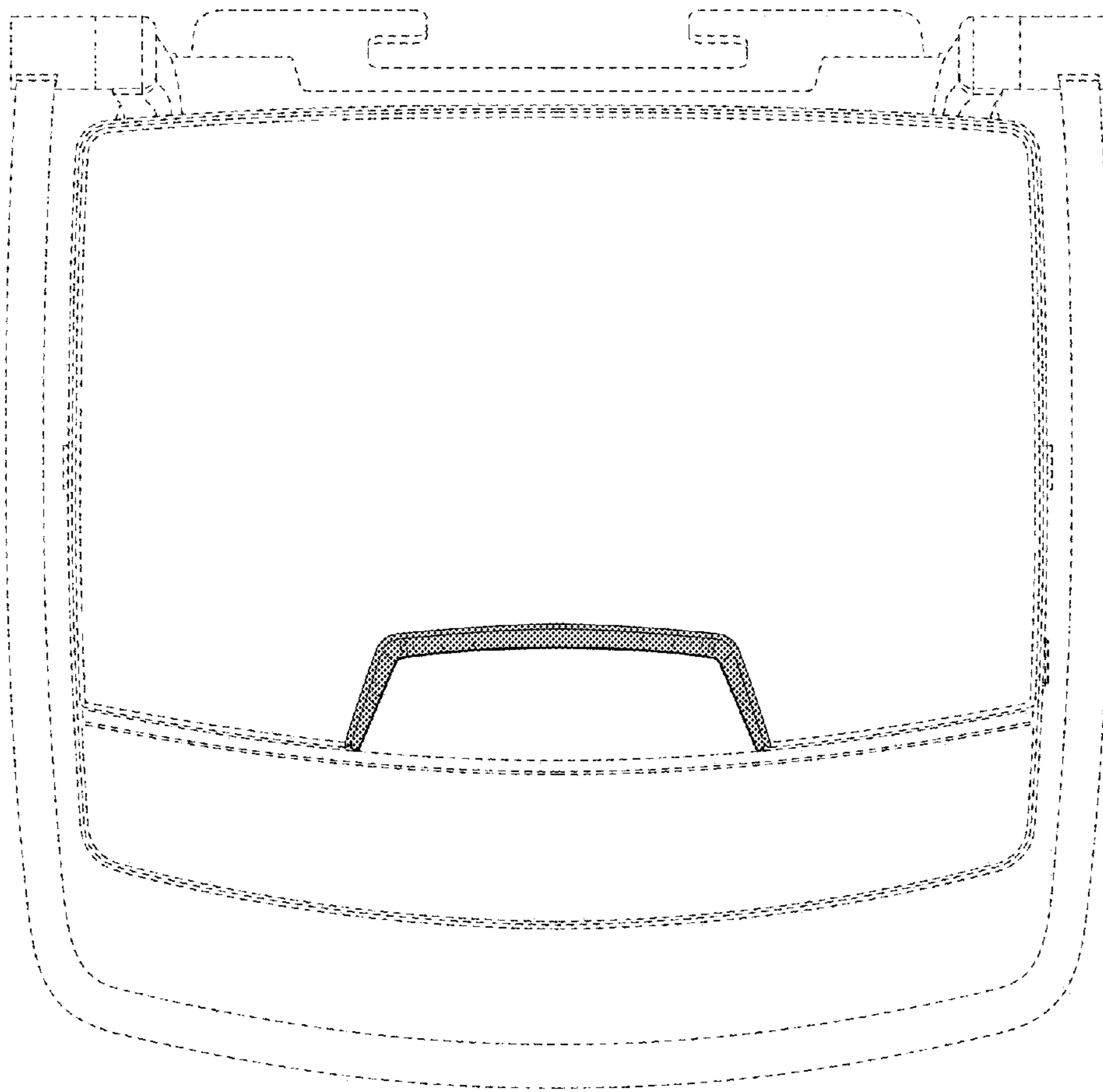


FIG. 13

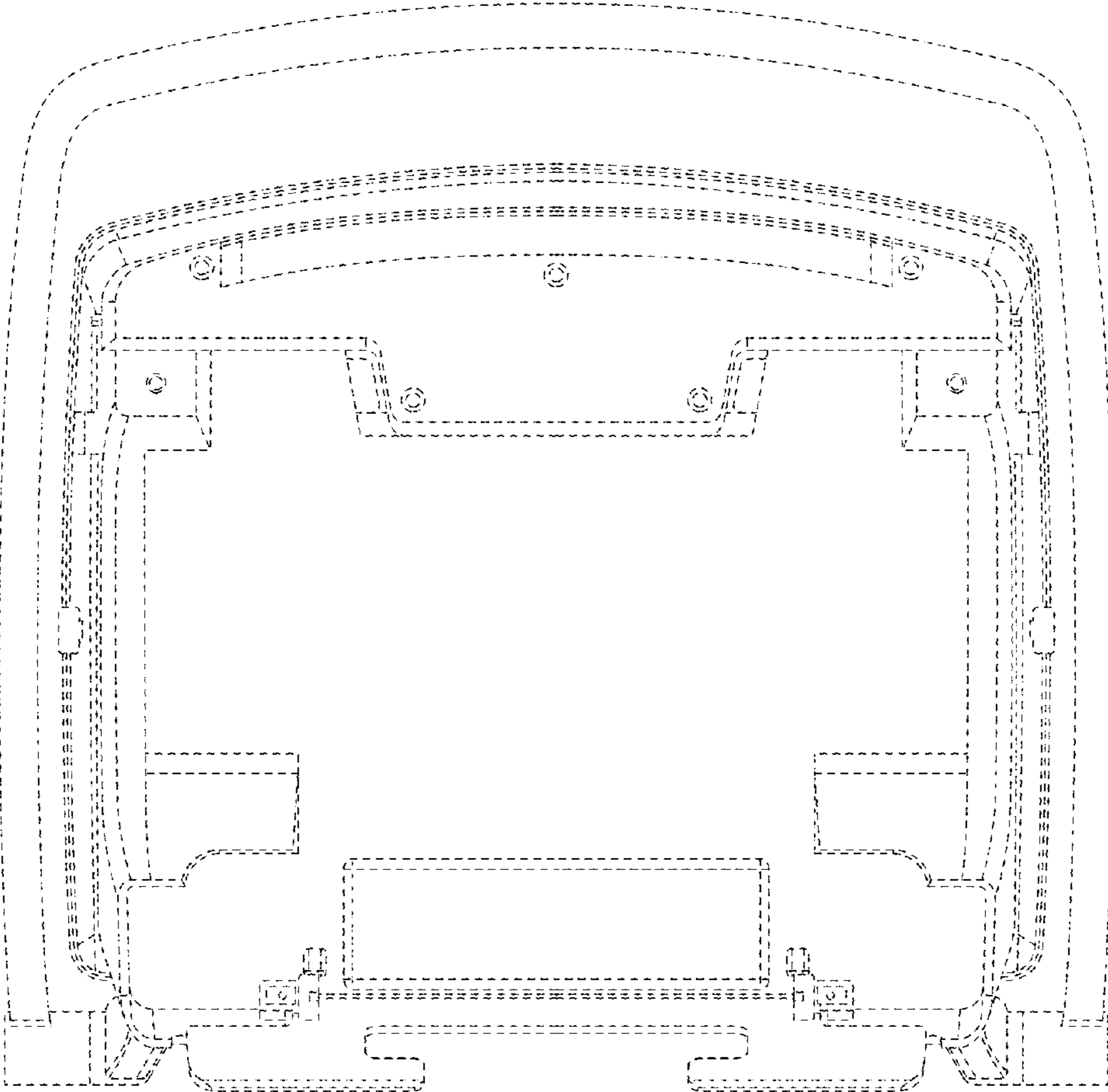


FIG. 14

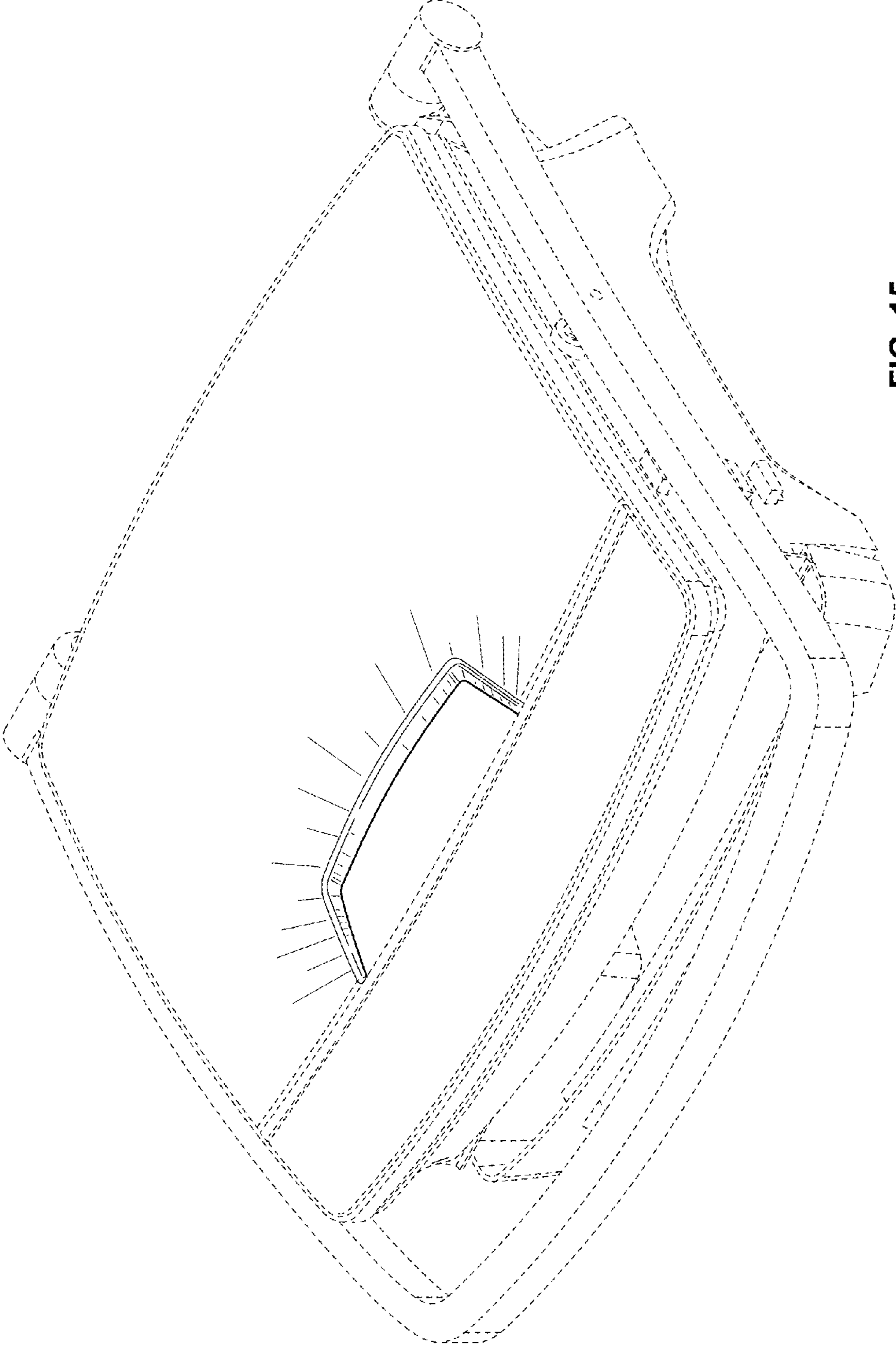


FIG. 15

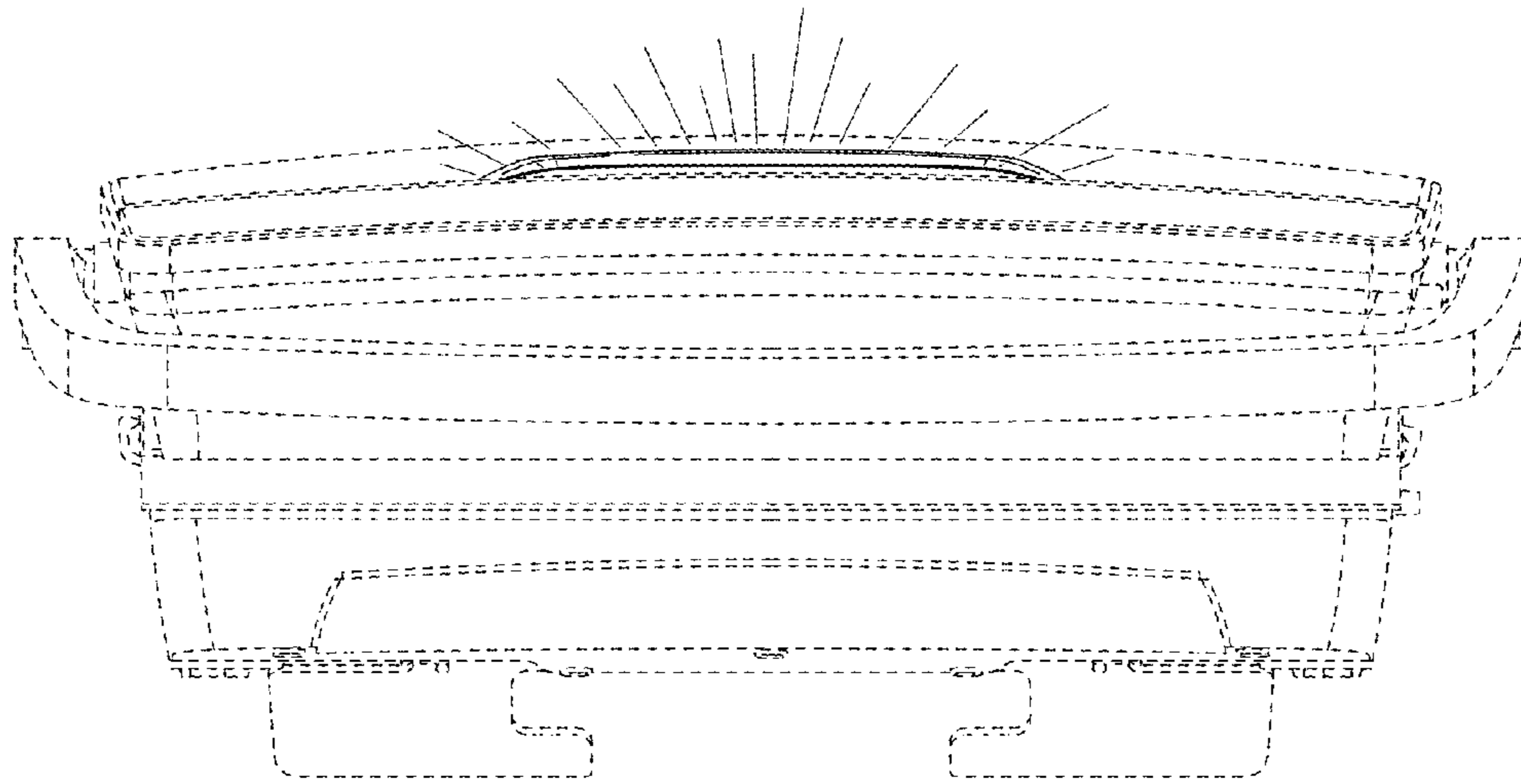


FIG. 16

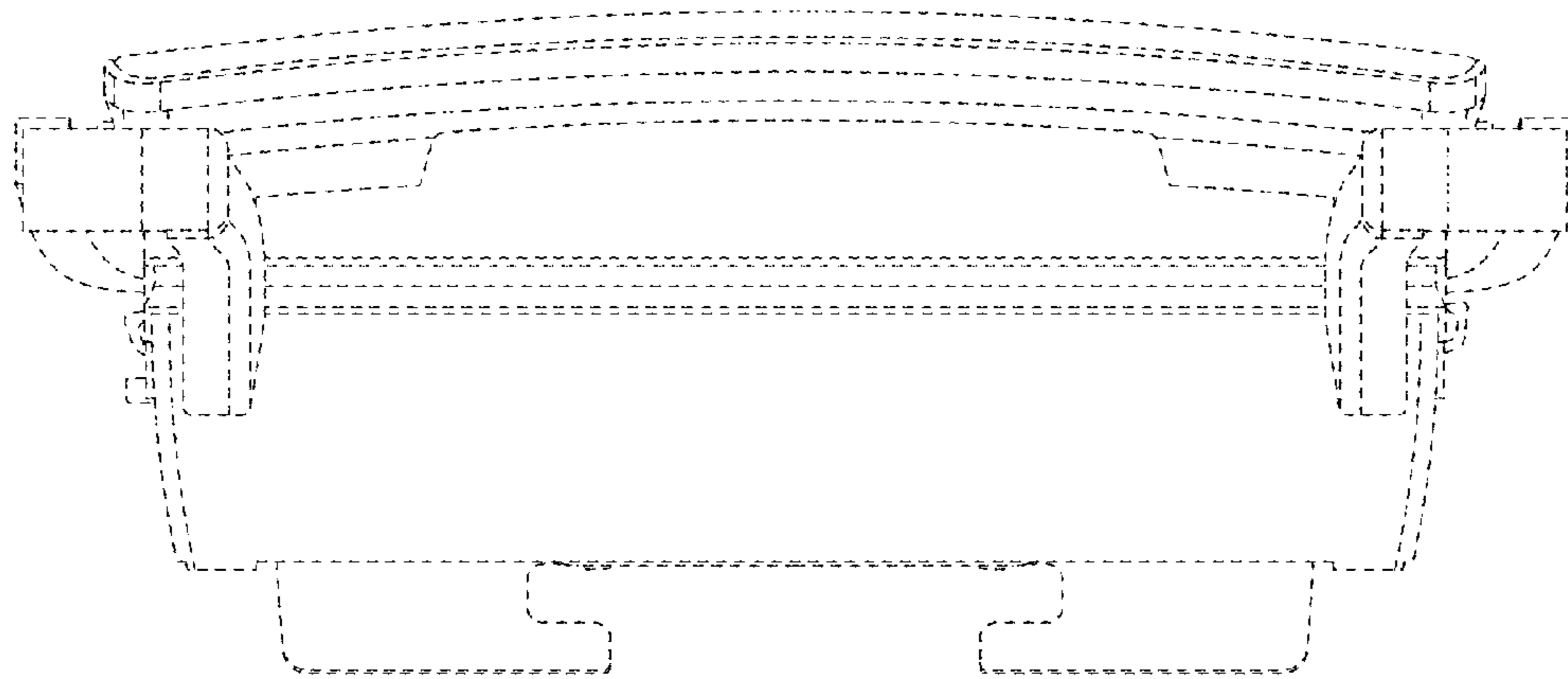


FIG. 17

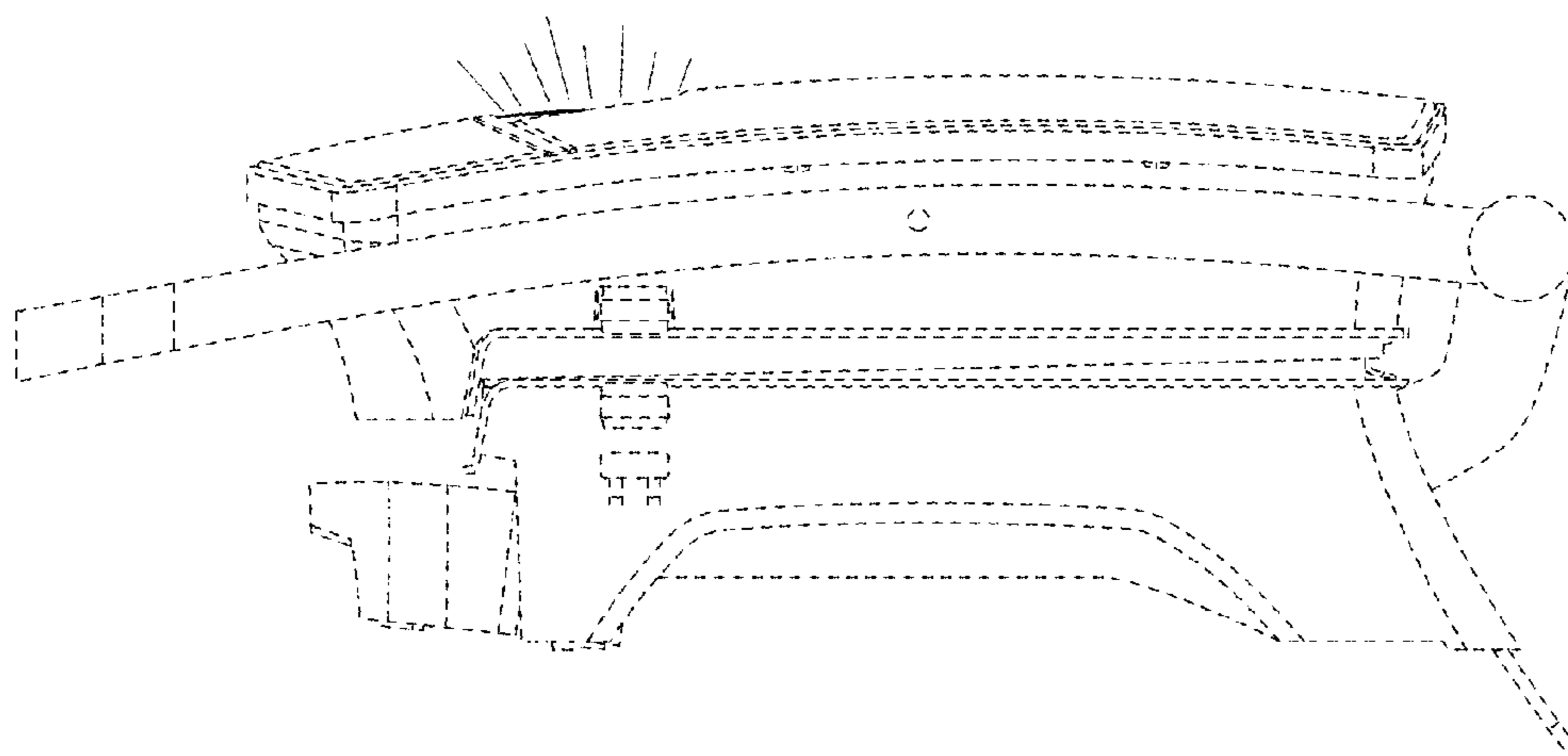


FIG. 18

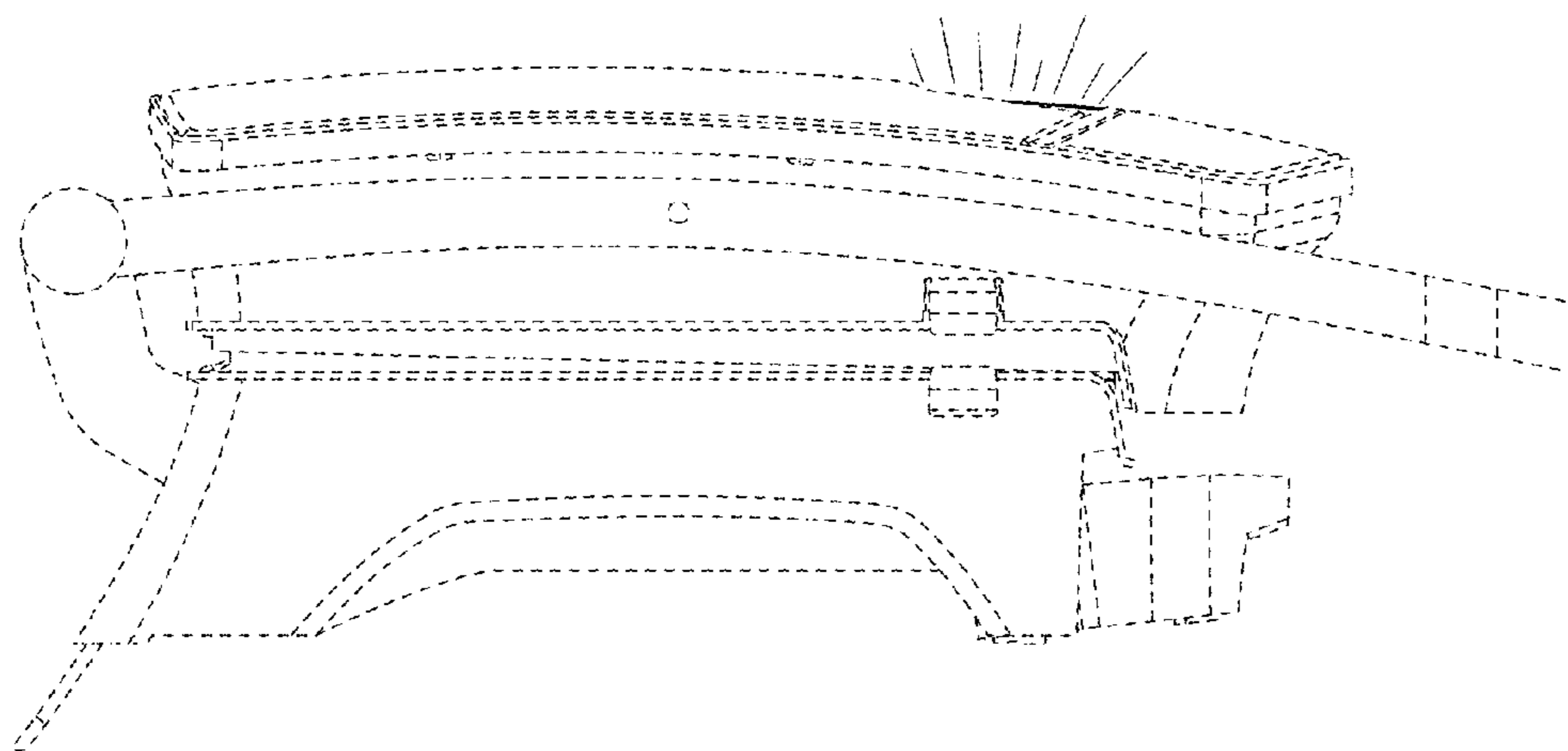


FIG. 19

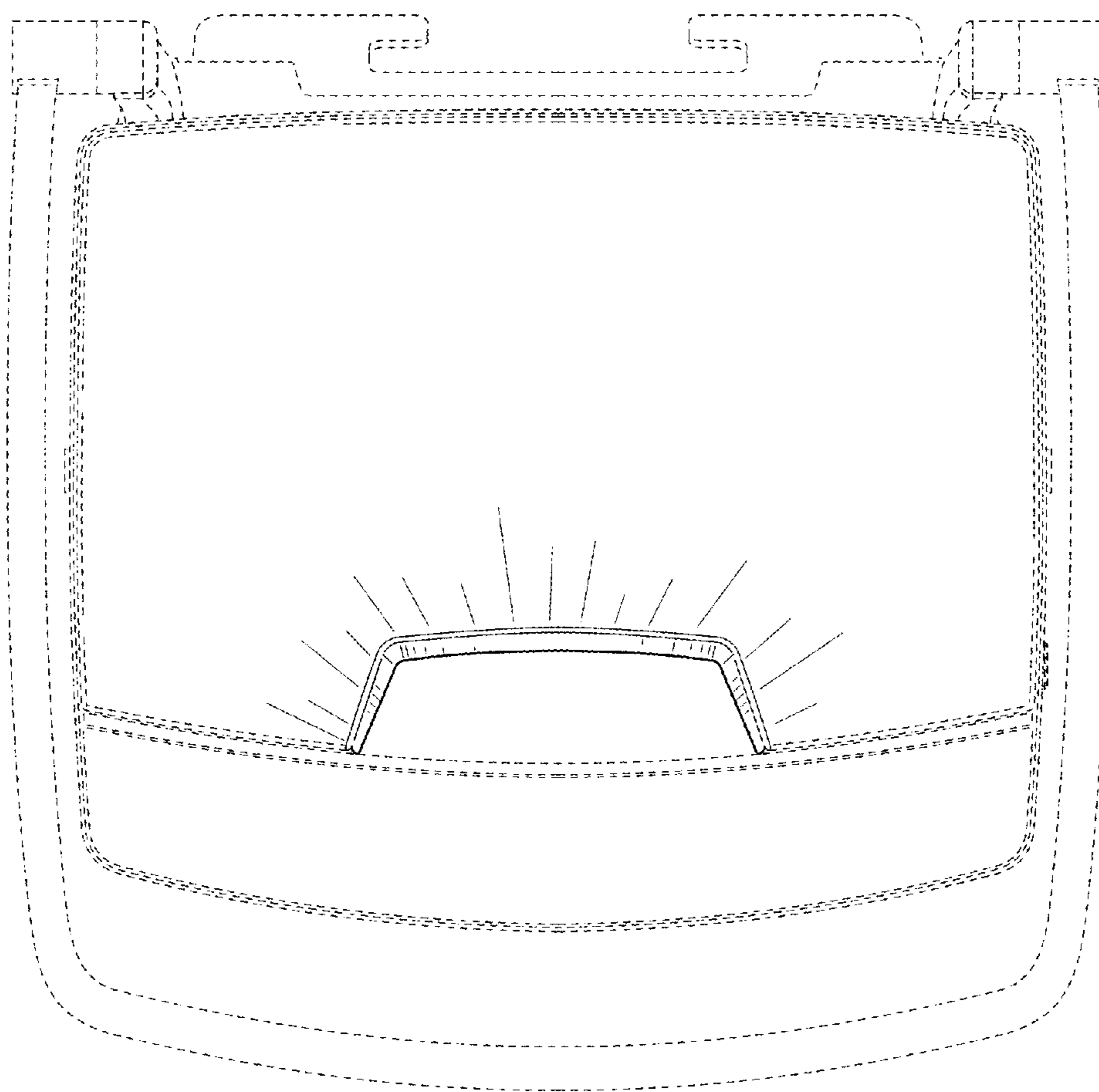


FIG. 20

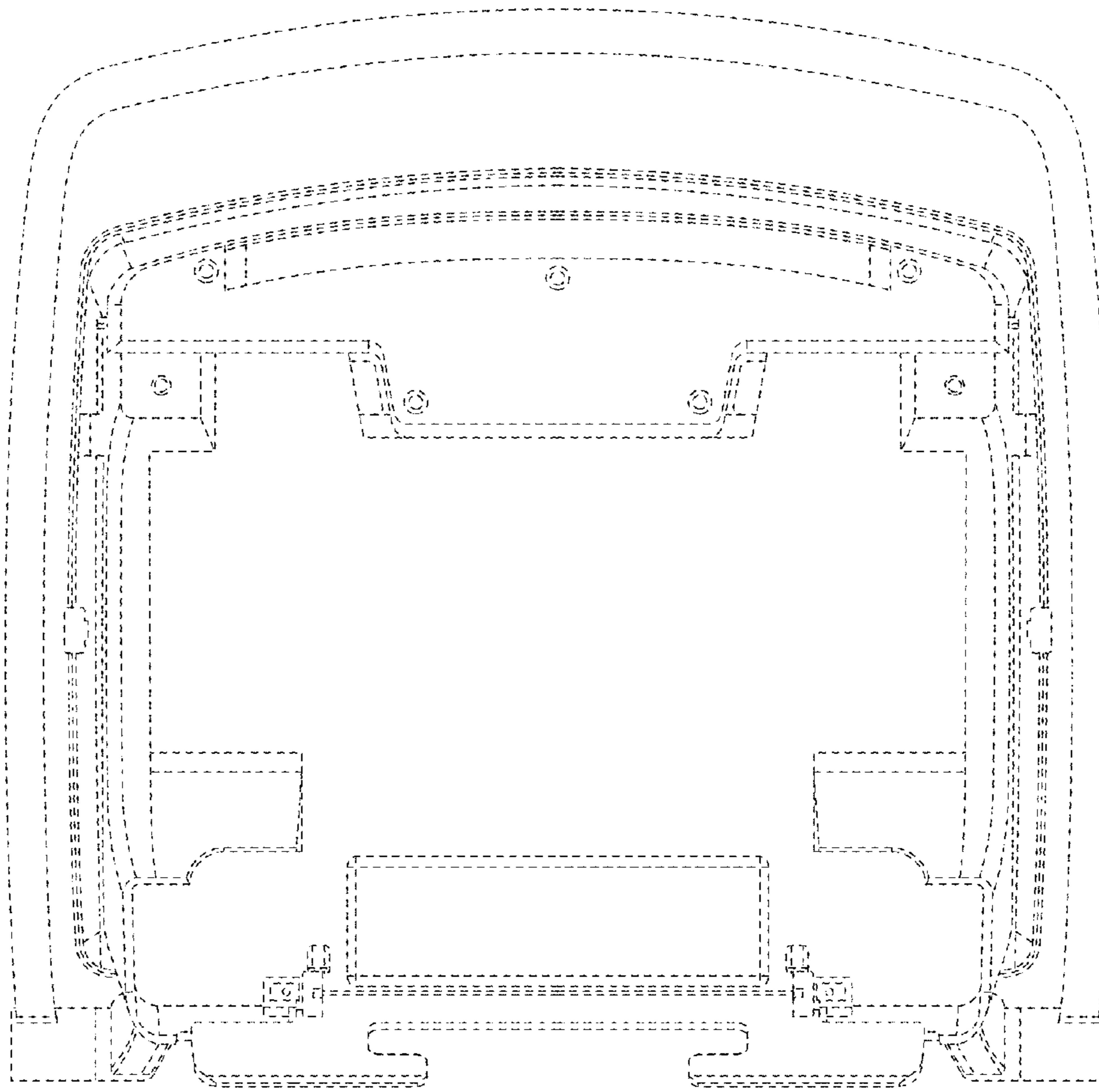


FIG. 21

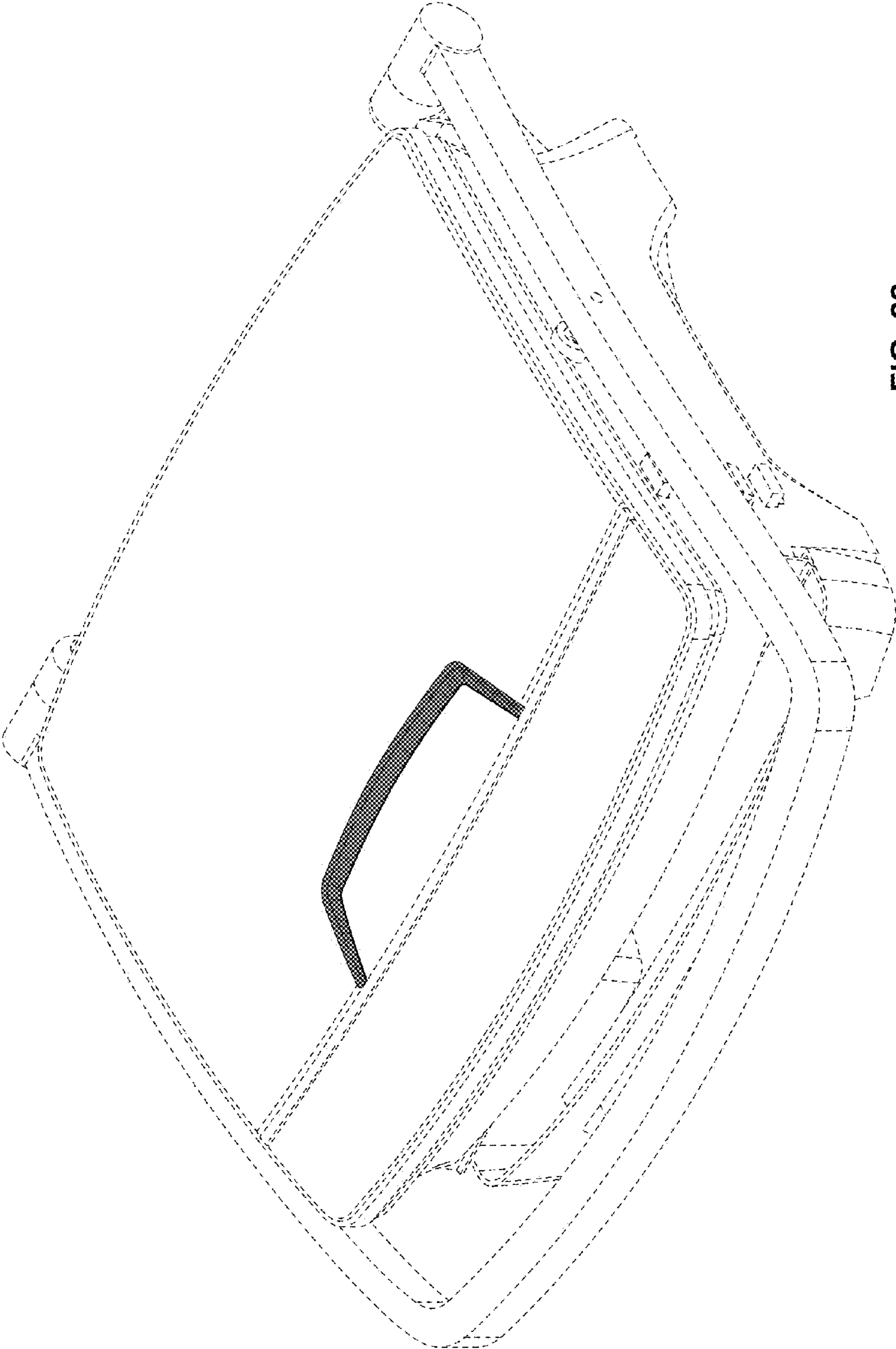


FIG. 22

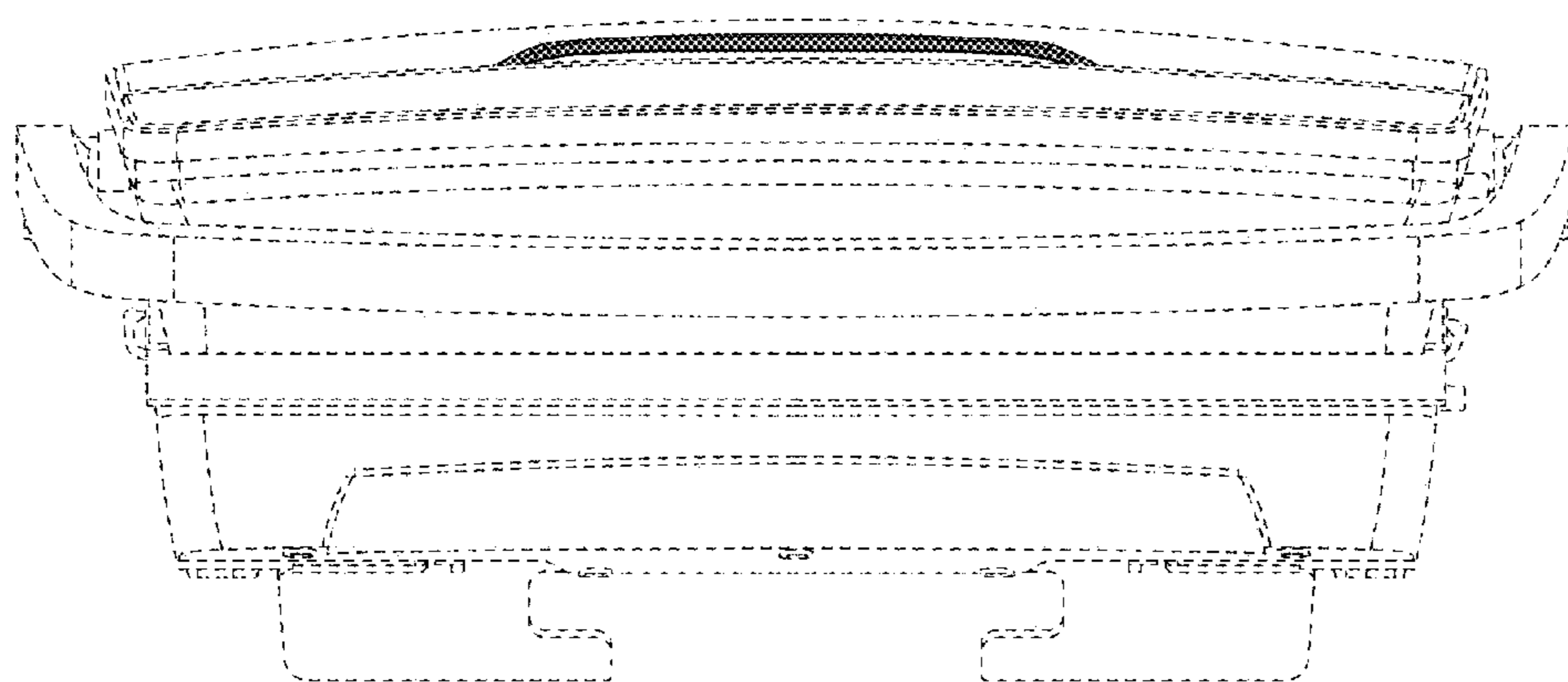


FIG. 23

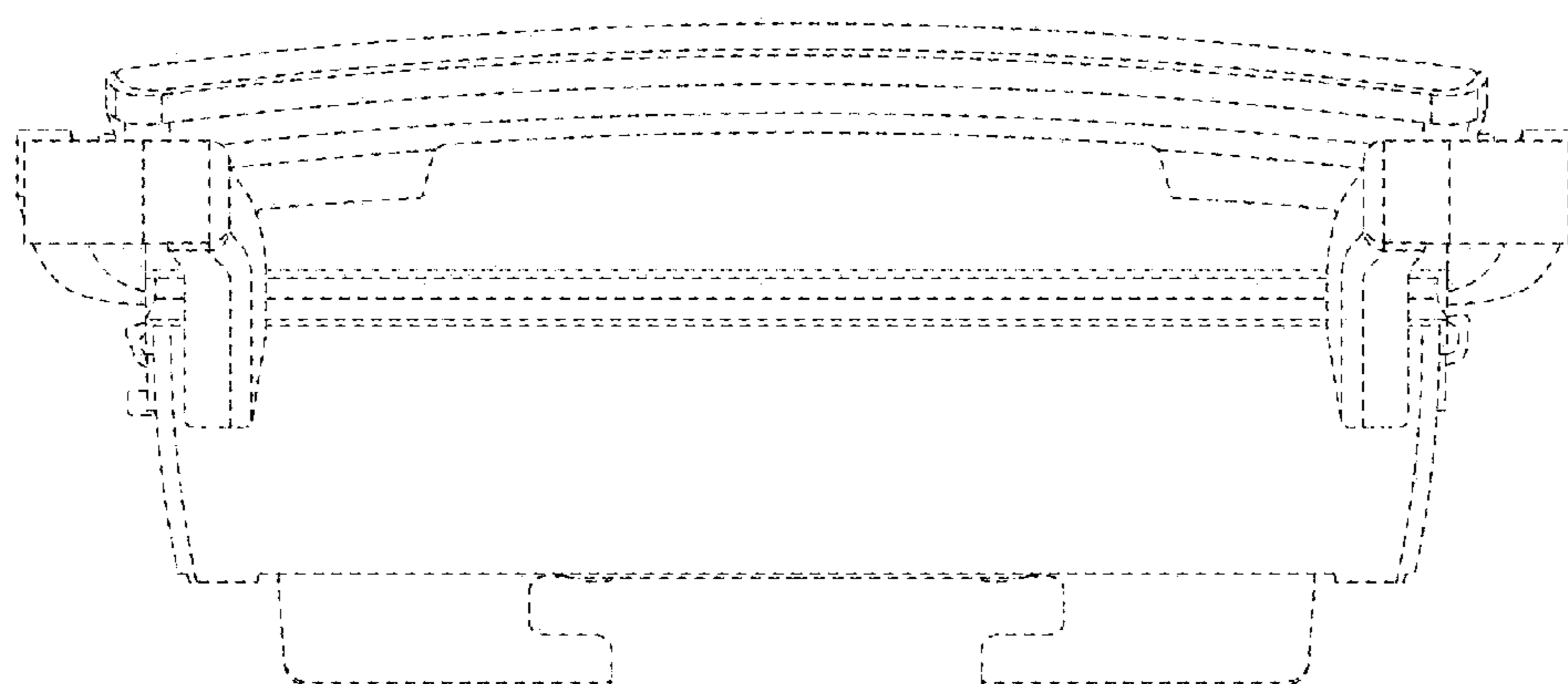


FIG. 24

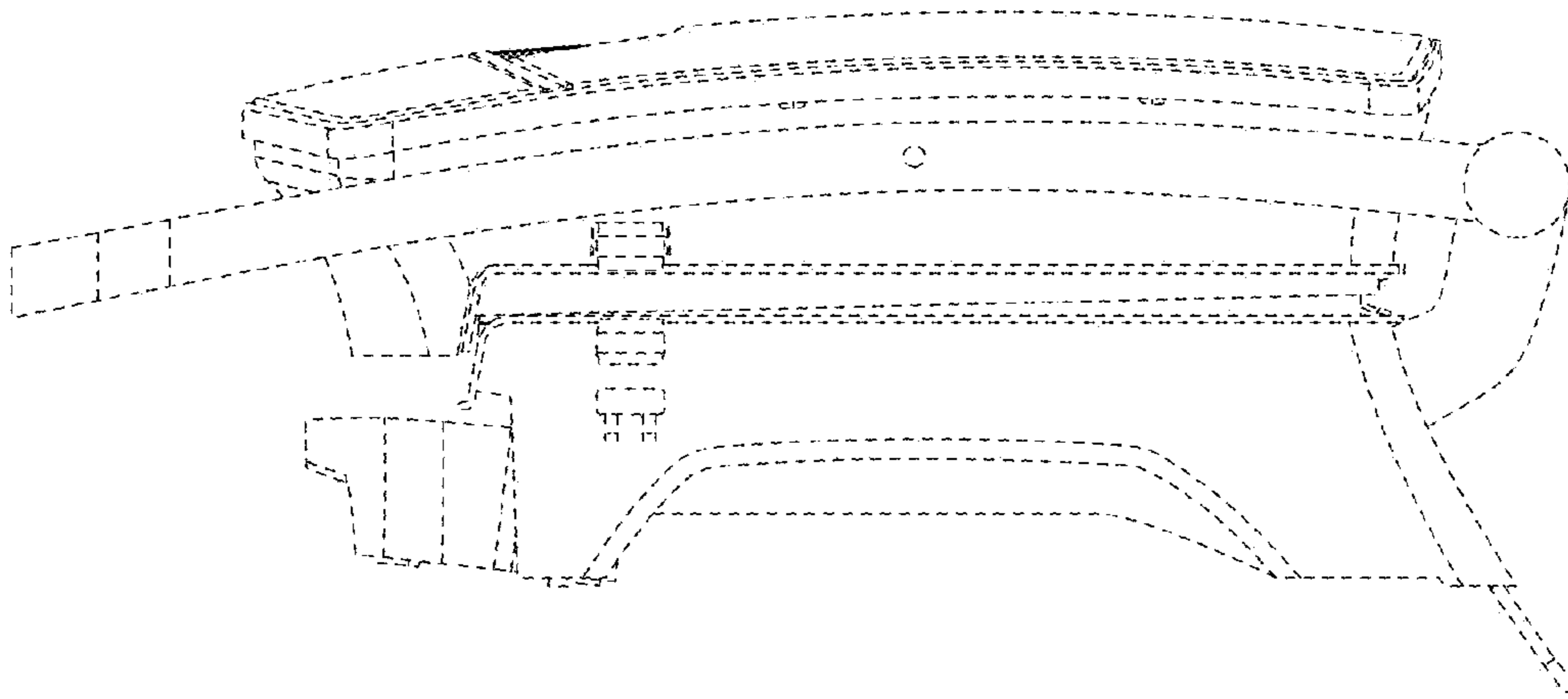


FIG. 25

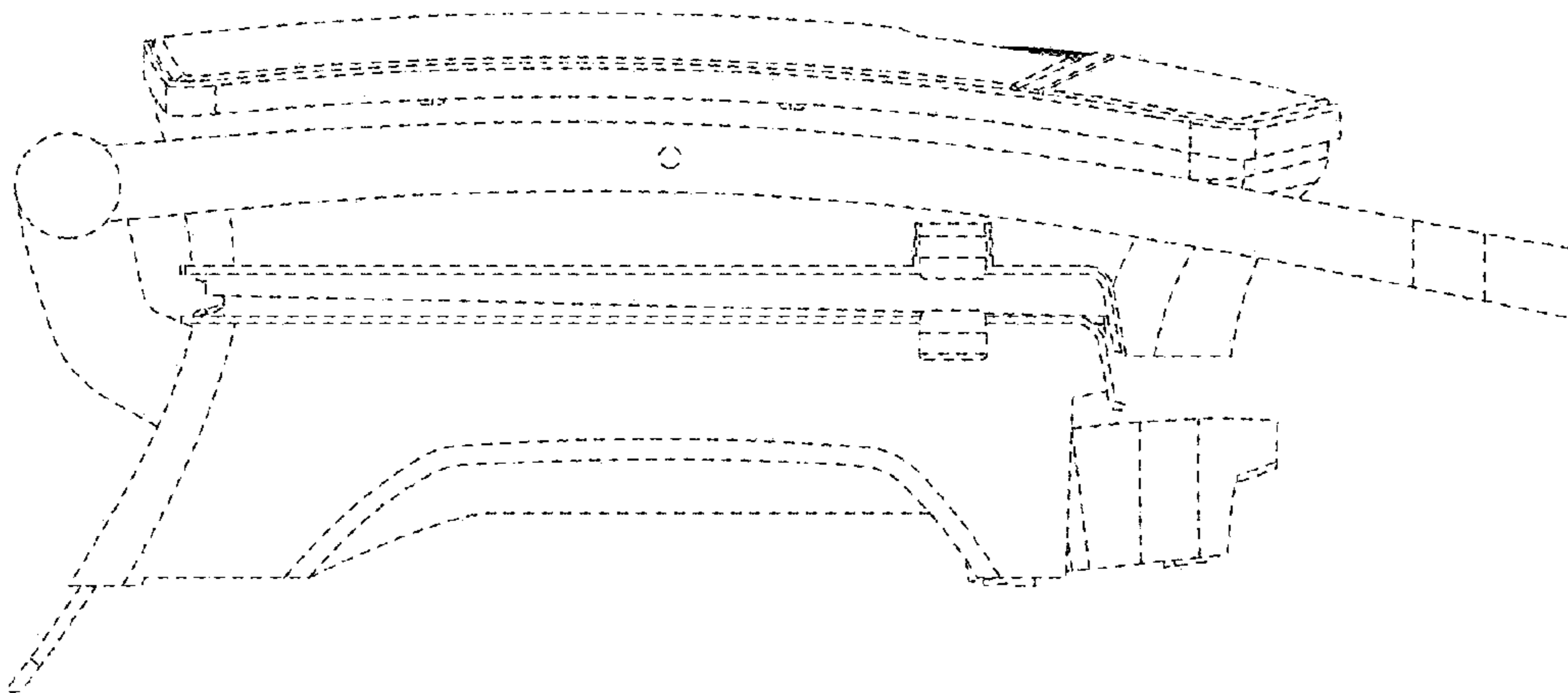


FIG. 26

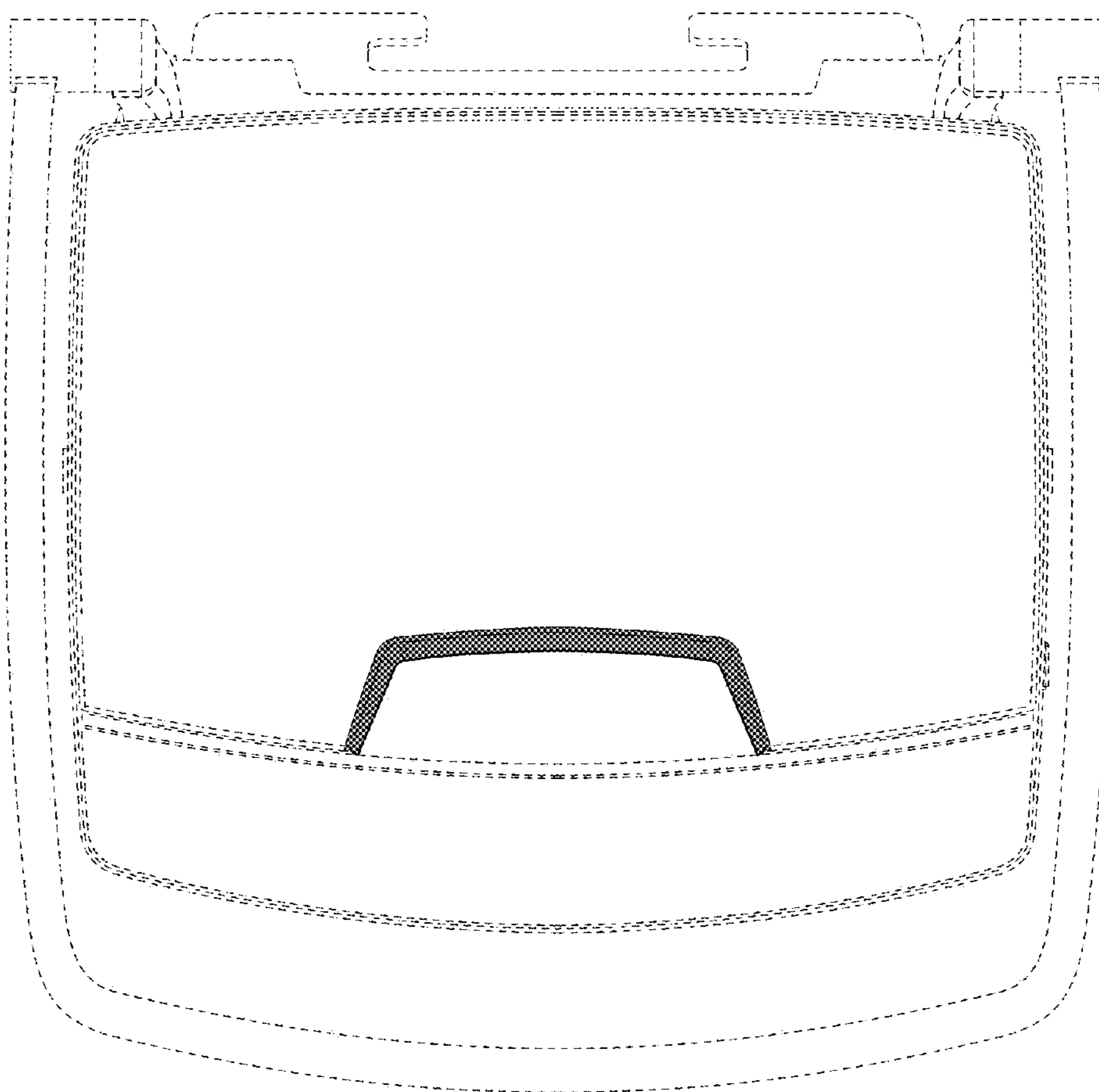


FIG. 27

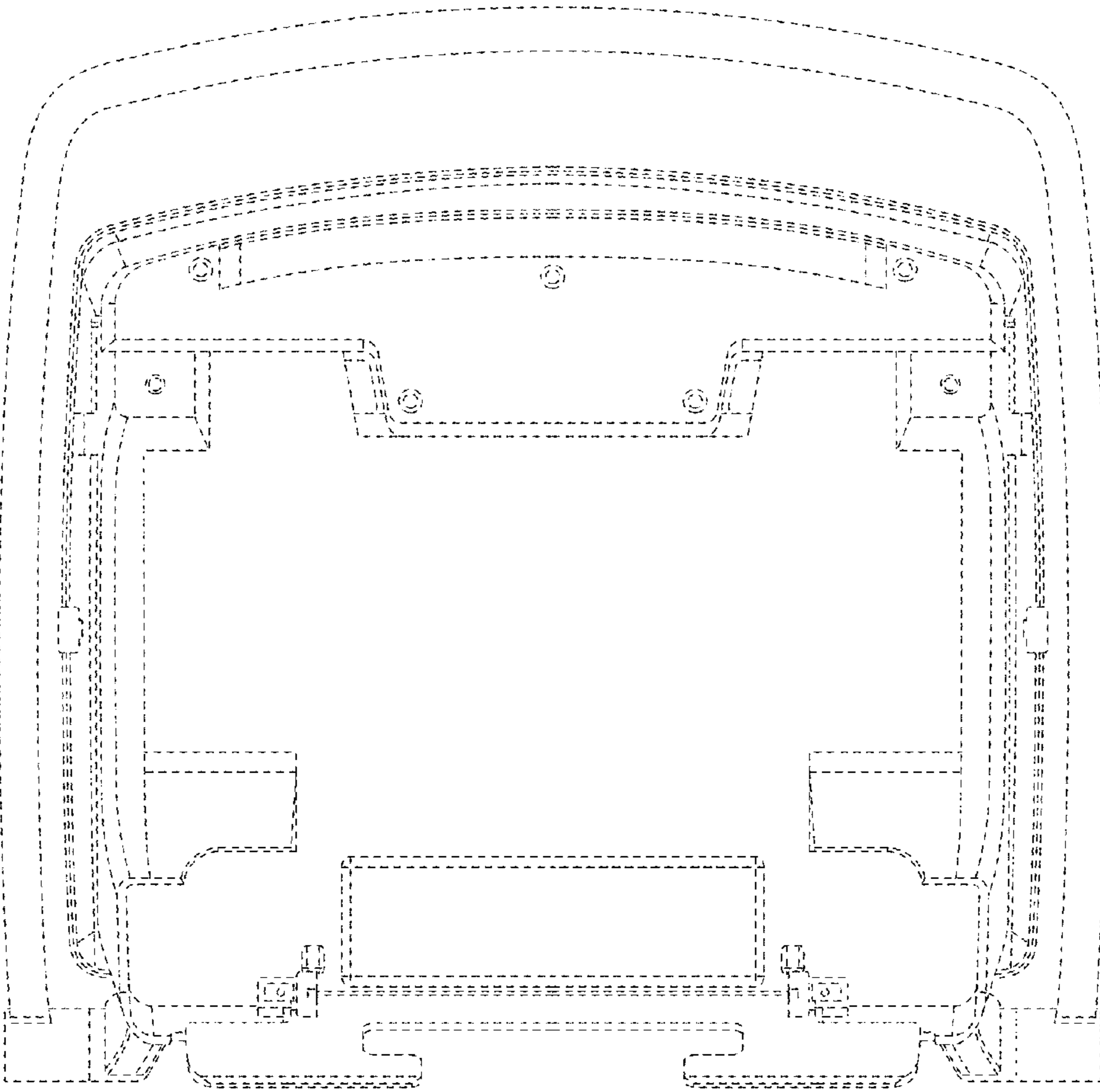


FIG. 28

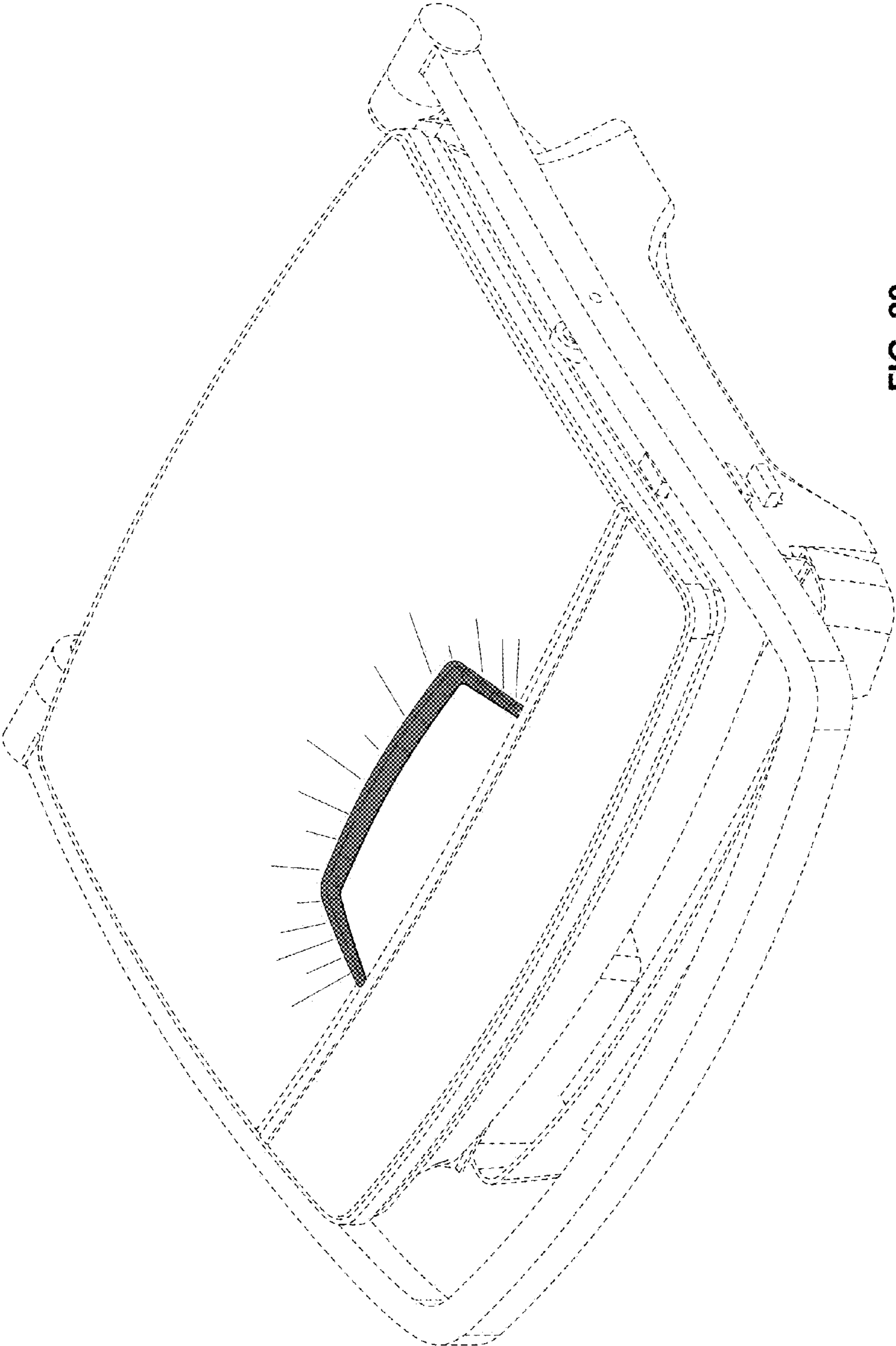


FIG. 29

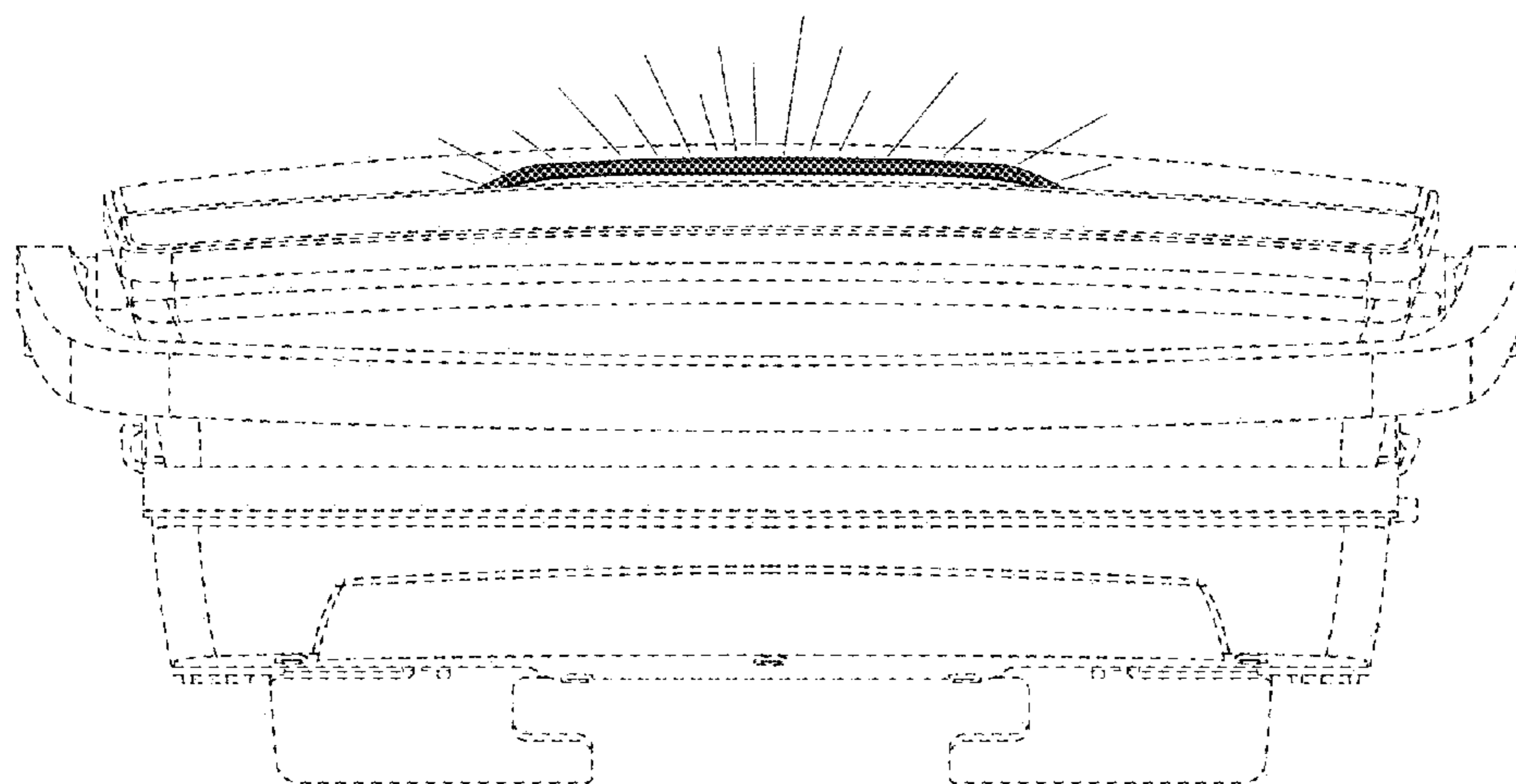


FIG. 30

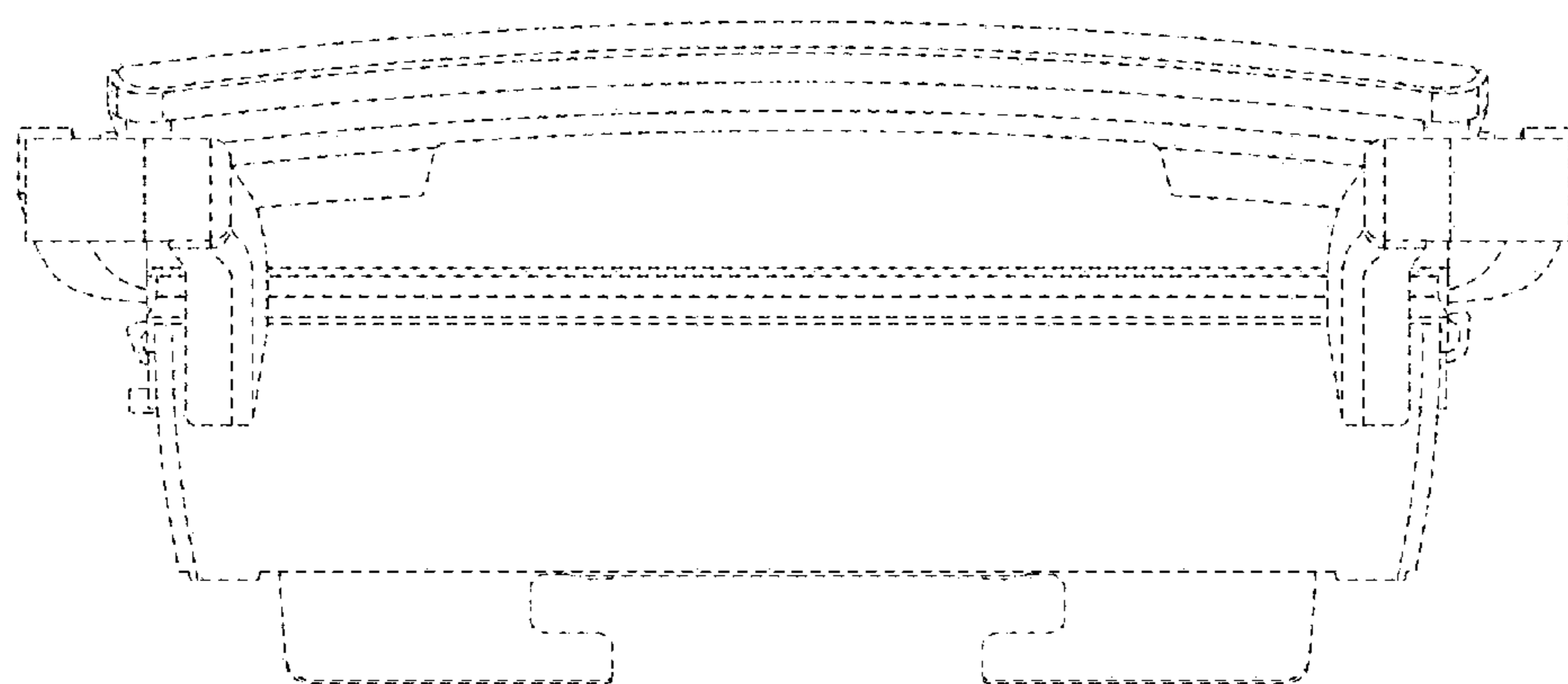


FIG. 31

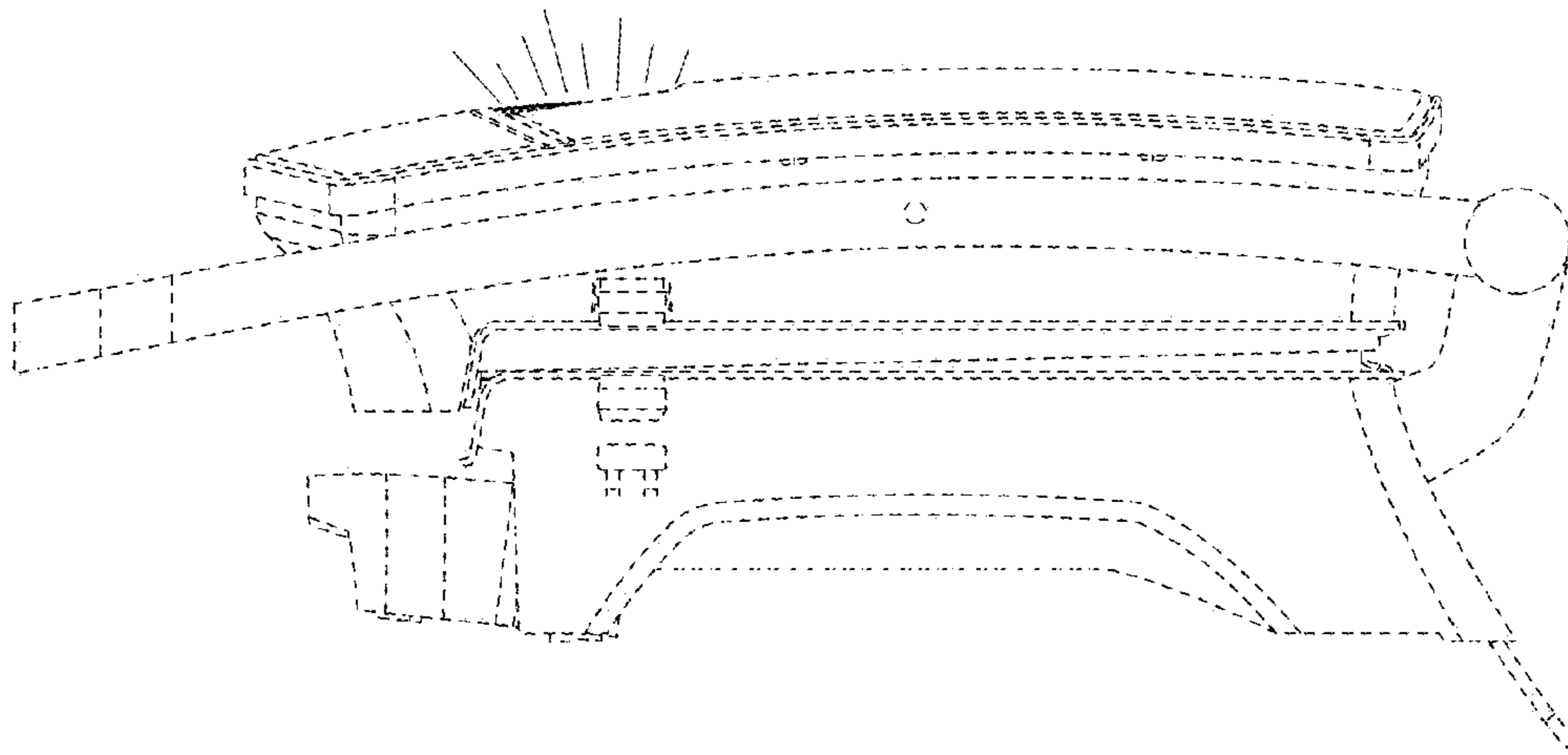


FIG. 32

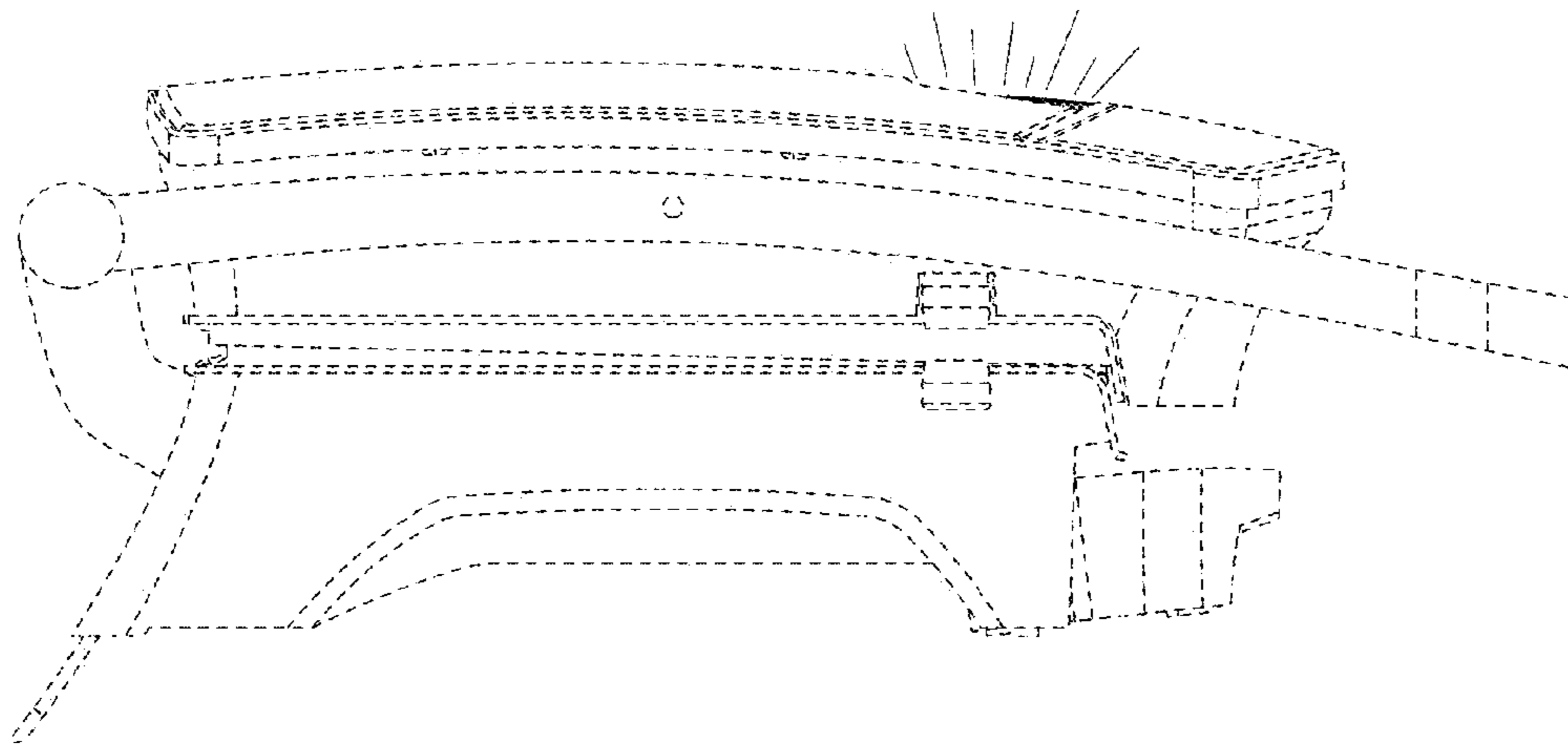


FIG. 33

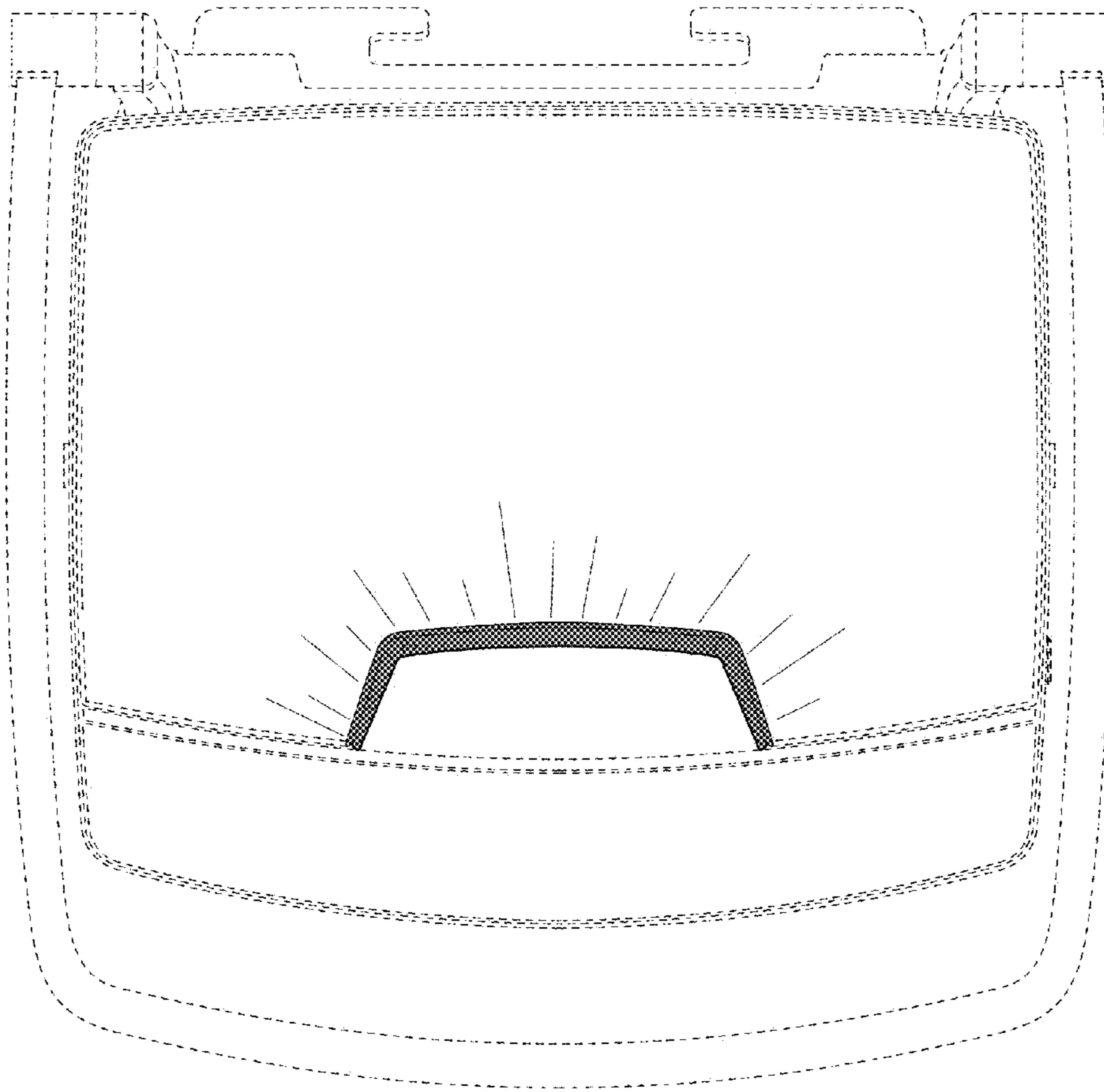


FIG. 34

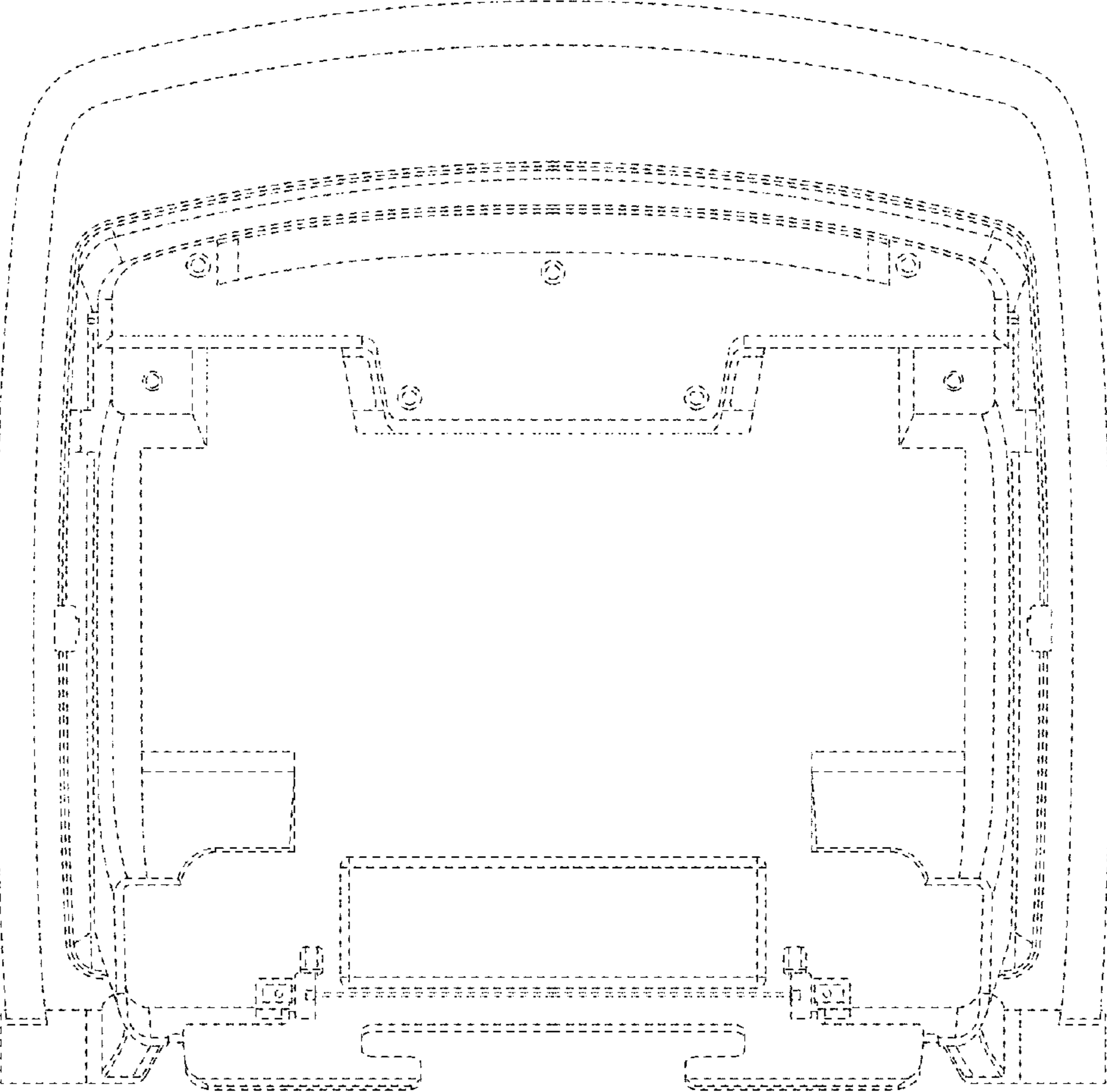


FIG. 35