



US00D760013S

(12) **United States Design Patent**
Nicholson et al.

(10) **Patent No.:** **US D760,013 S**

(45) **Date of Patent:** **** Jun. 28, 2016**

(54) **HOT AND COLD FOOD STORAGE CABINET**

(56) **References Cited**

(71) Applicants: **Jeff Nicholson**, Long Beach, CA (US);
Ernest F. Freeman, Rancho Santa
Margarita, CA (US)

U.S. PATENT DOCUMENTS

(72) Inventors: **Jeff Nicholson**, Long Beach, CA (US);
Ernest F. Freeman, Rancho Santa
Margarita, CA (US)

D305,822 S *	1/1990	Kolvites	D34/19
5,159,973 A *	11/1992	Pennington	A47J 39/006 126/400
D334,491 S *	4/1993	Poland	D6/663
D362,101 S *	9/1995	Maddux	D34/19
D392,158 S *	3/1998	Maddux	312/200
D398,727 S *	9/1998	Maddux	D34/19
D440,369 S *	4/2001	LaFollette, Jr.	D34/19
D442,756 S *	5/2001	Jarvis	D34/19
7,134,552 B1 *	11/2006	McDonagh	A47J 47/14 206/545
D637,373 S *	5/2011	Benning	D34/19
D697,685 S *	1/2014	Maddux	D34/19
D703,466 S *	4/2014	Franck	D6/675
D723,237 S *	2/2015	Maddux	D34/12

(73) Assignee: **CAMBRO MANUFACTURING**
COMPANY, Huntington Beach, CA
(US)

(**) Term: **14 Years**

* cited by examiner

(21) Appl. No.: **29/512,229**

Primary Examiner — Ricky Pham

(22) Filed: **Dec. 17, 2014**

(74) *Attorney, Agent, or Firm* — George F. Bethel

(51) **LOC (10) Cl.** **07-02**

(57) **CLAIM**

We claim the ornamental design for a hot and cold food storage cabinet, as shown and described.

(52) **U.S. Cl.**

DESCRIPTION

USPC **D7/339**

(58) **Field of Classification Search**

USPC D6/663, 675; D7/323, 328–330,
D7/339–349, 390, 402–406, 601;
D8/300–306; D34/12, 19–20

CPC A21B 2/00; A47J 37/00; A47J 37/06;

A47J 37/0611; A47J 37/08; A47J 37/0807;

A47J 37/0814; A47J 37/0835; A47J 37/0842;

A47J 37/085; A47J 37/0864; A47J 37/0878;

A47J 37/0885; A47J 37/0892; A47J 39/006;

A47J 47/14; F24C 7/00; F24C 7/002; F24C

7/046; F24C 7/067; F24C 15/02; F24C 15/04;

F24C 15/10; F24C 15/102

See application file for complete search history.

FIG. 1 is a right frontal perspective view of the hot and cold food storage cabinet.

FIG. 2 is a front elevation view.

FIG. 3 is a top plan view.

FIG. 4 is a left side elevation view.

FIG. 5 is a right side elevation view.

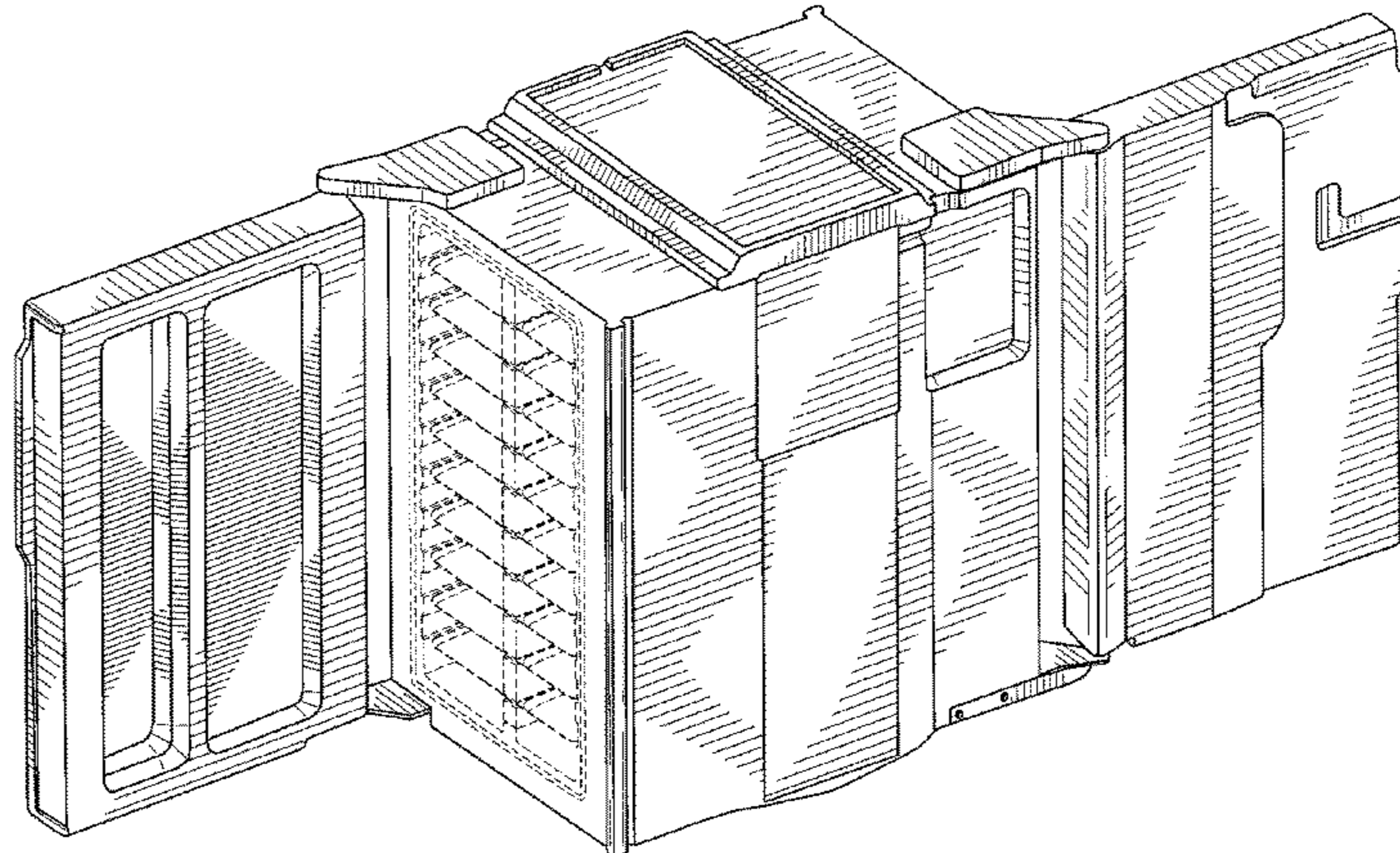
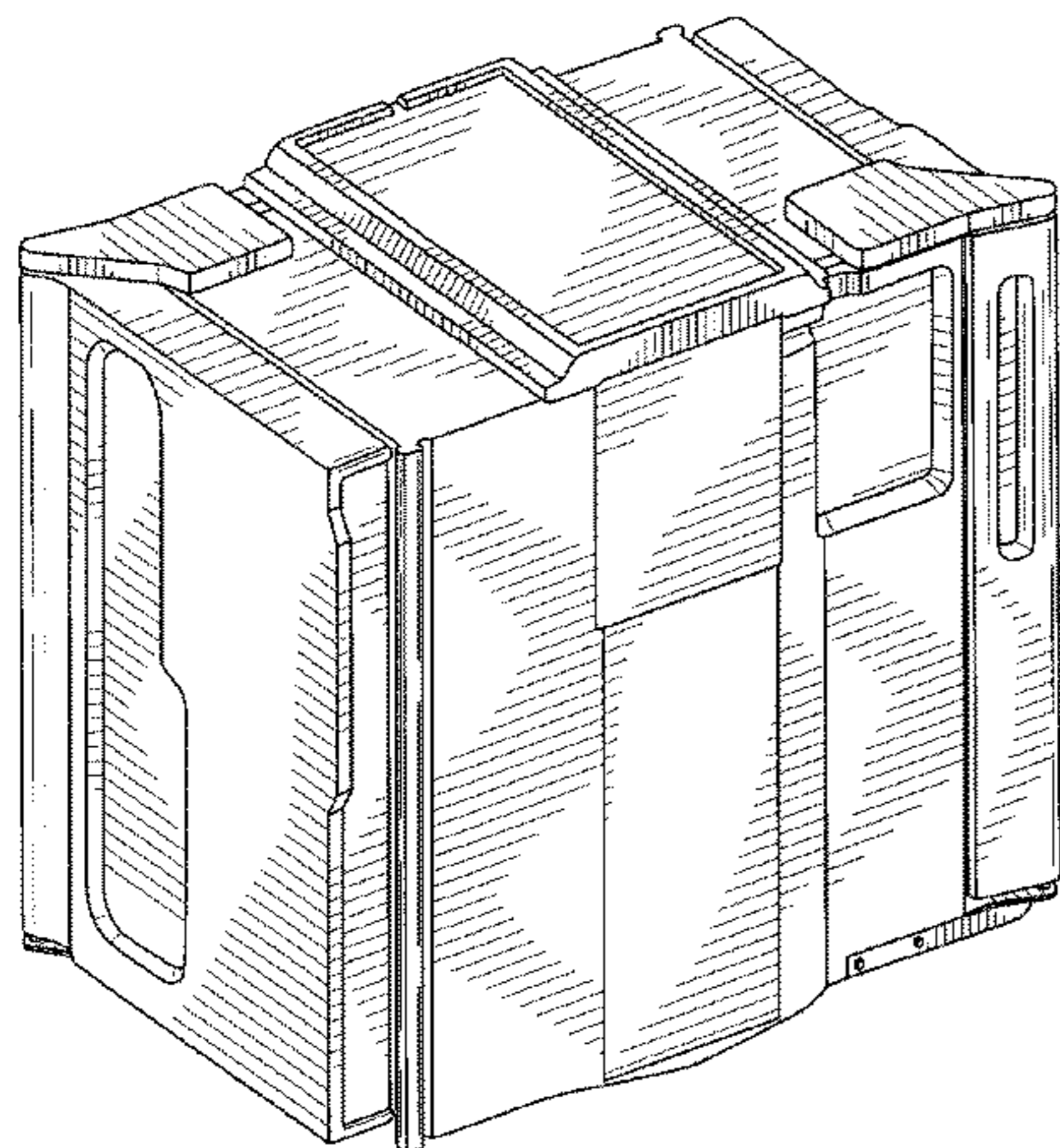
FIG. 6 is a rear elevation view.

FIG. 7 is a bottom plan view; and,

FIG. 8 is a frontal perspective right side elevation view, showing the doors open with trays in dotted configuration to illustrate the environment of usage of the hot and cold food storage cabinet.

The broken lines shown in the drawings are for illustrative purposes only and form no part of the claimed design.

1 Claim, 4 Drawing Sheets



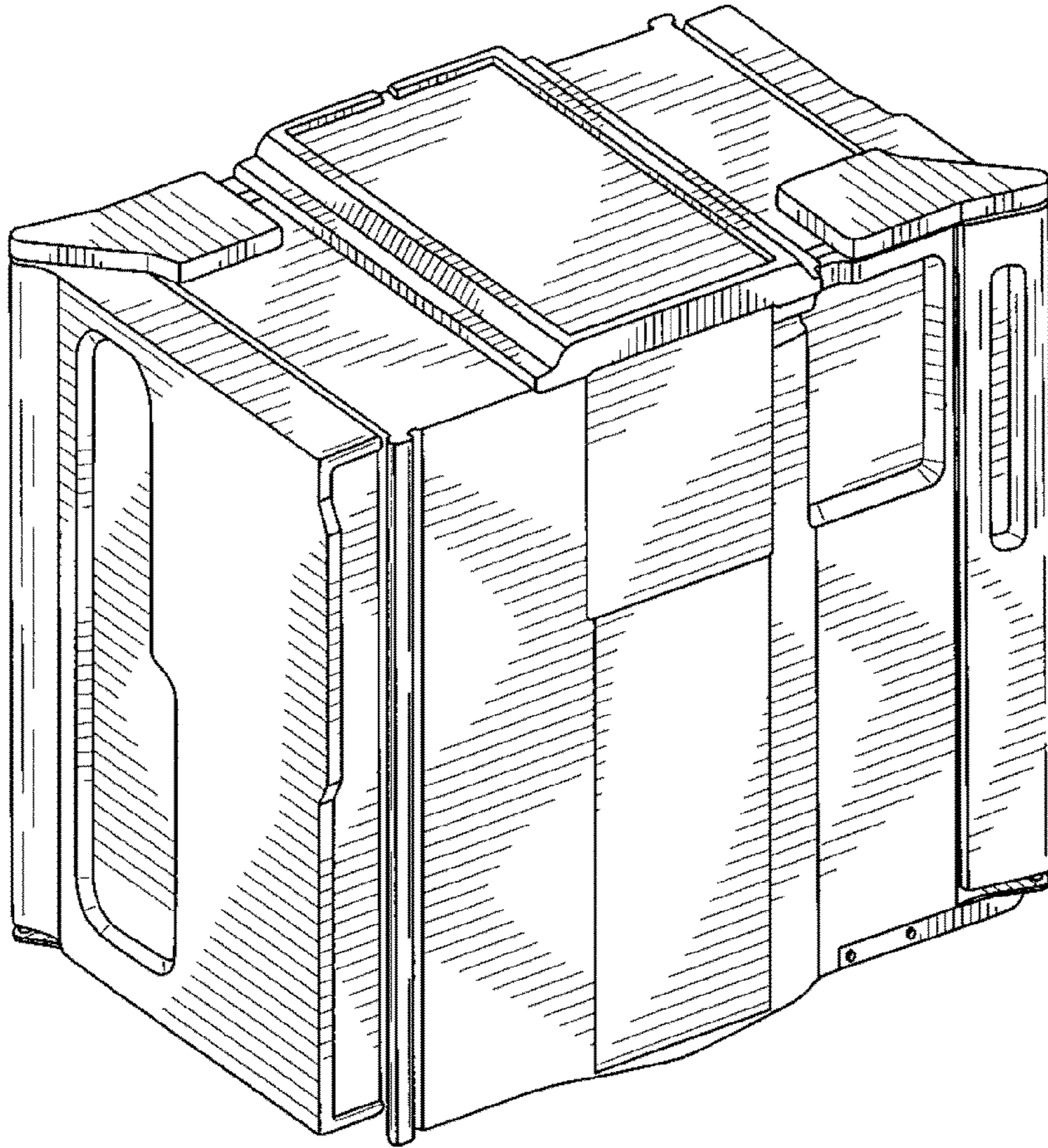


FIG. 1

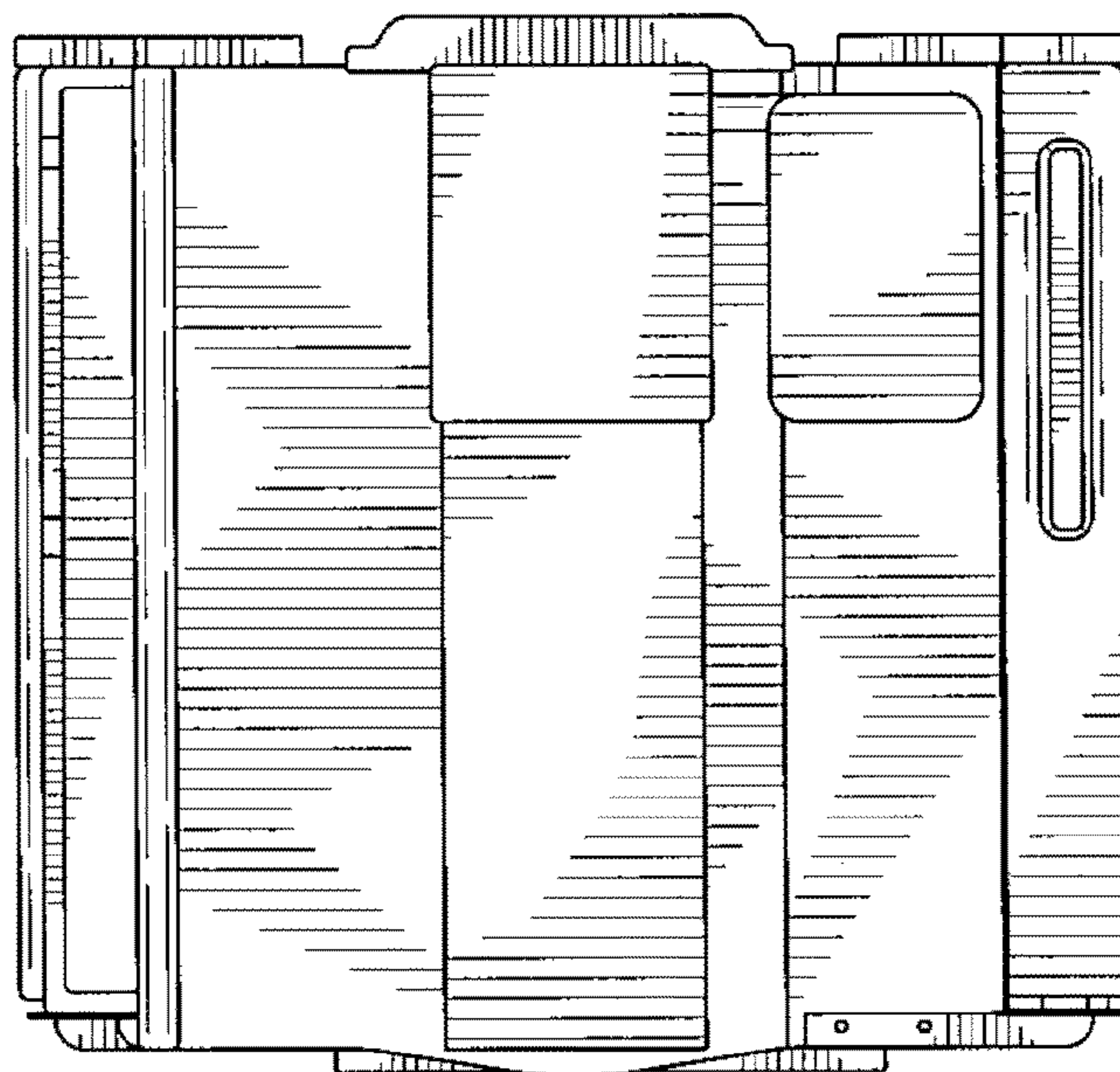


FIG. 2

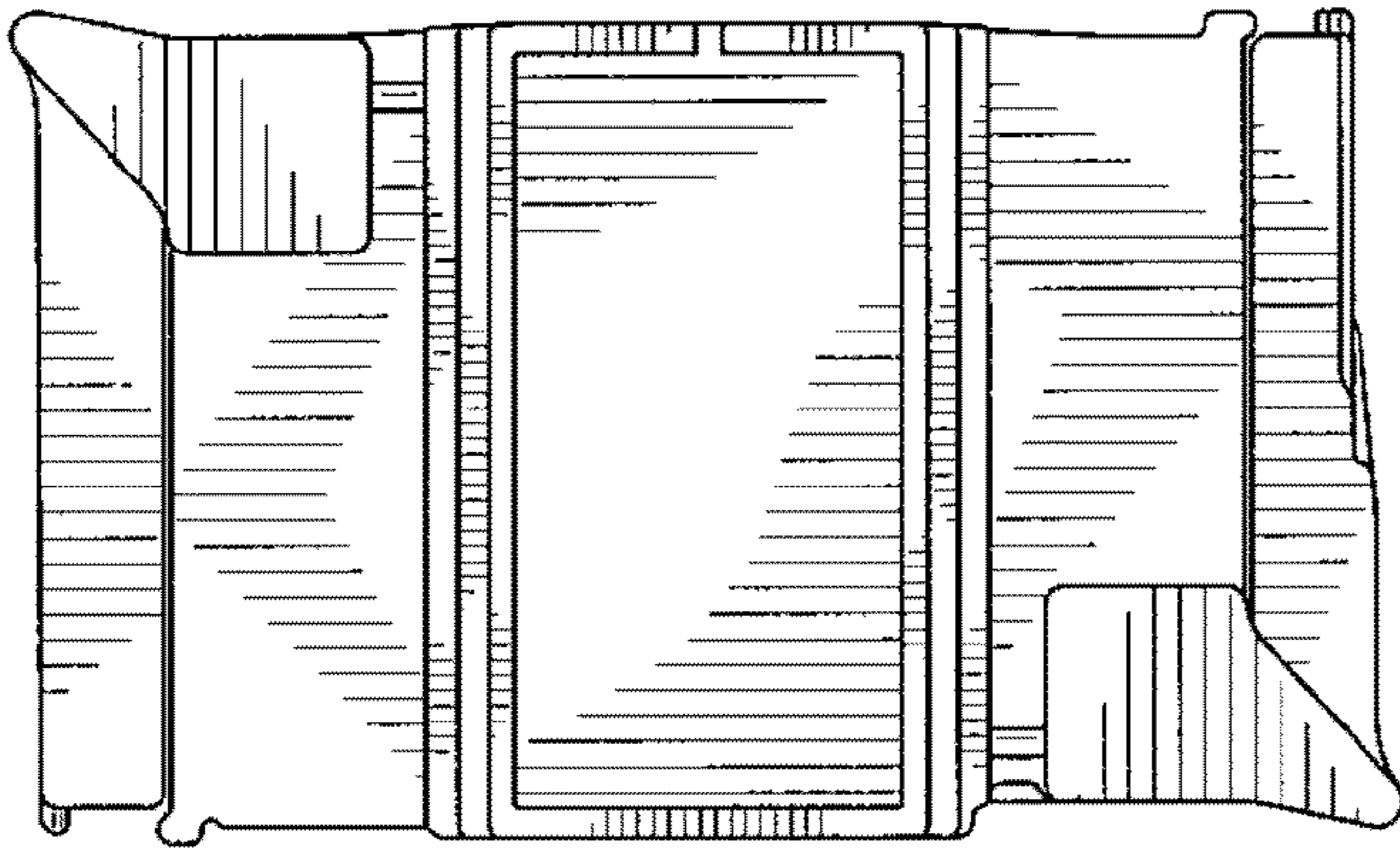


FIG. 3

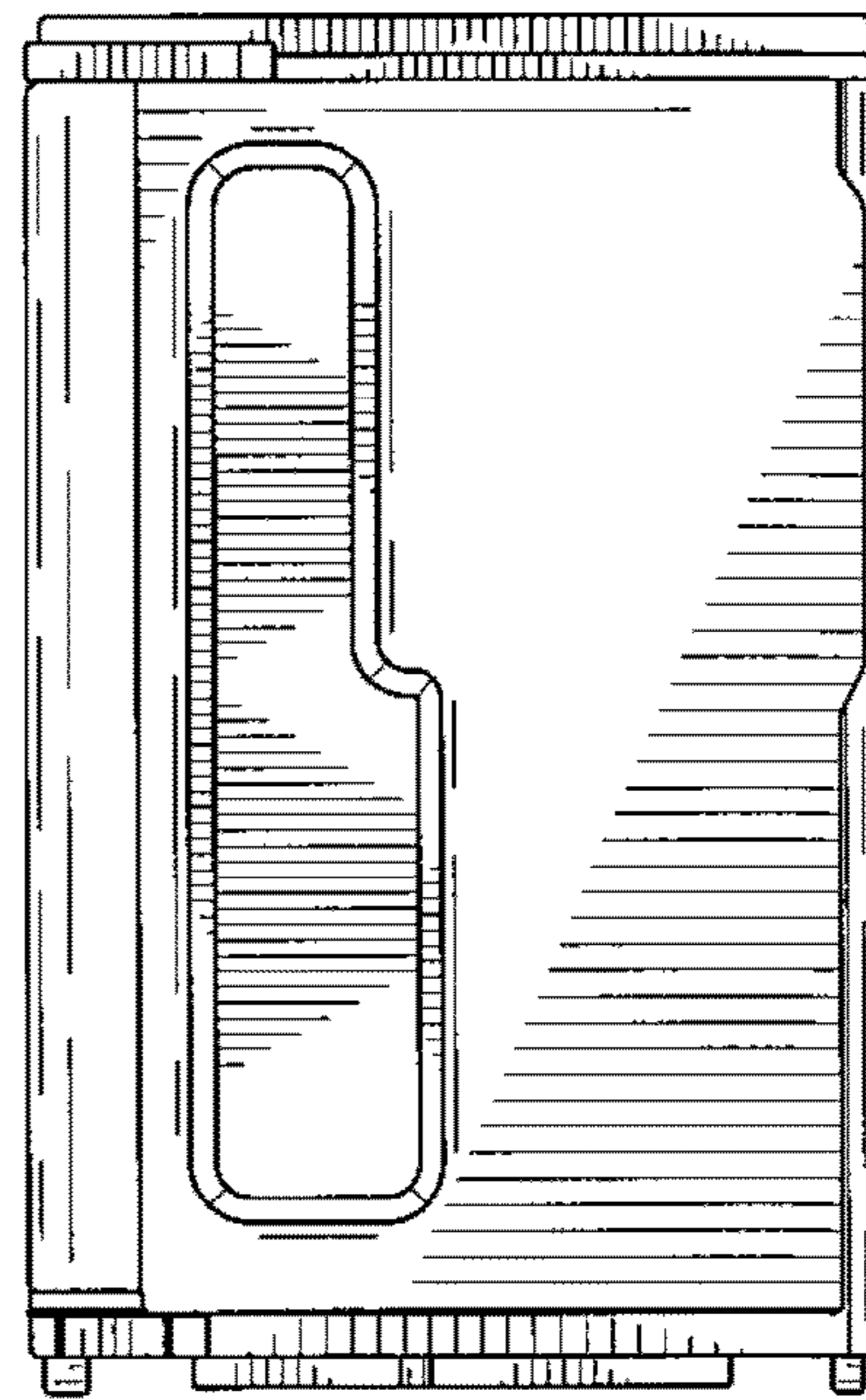


FIG. 4

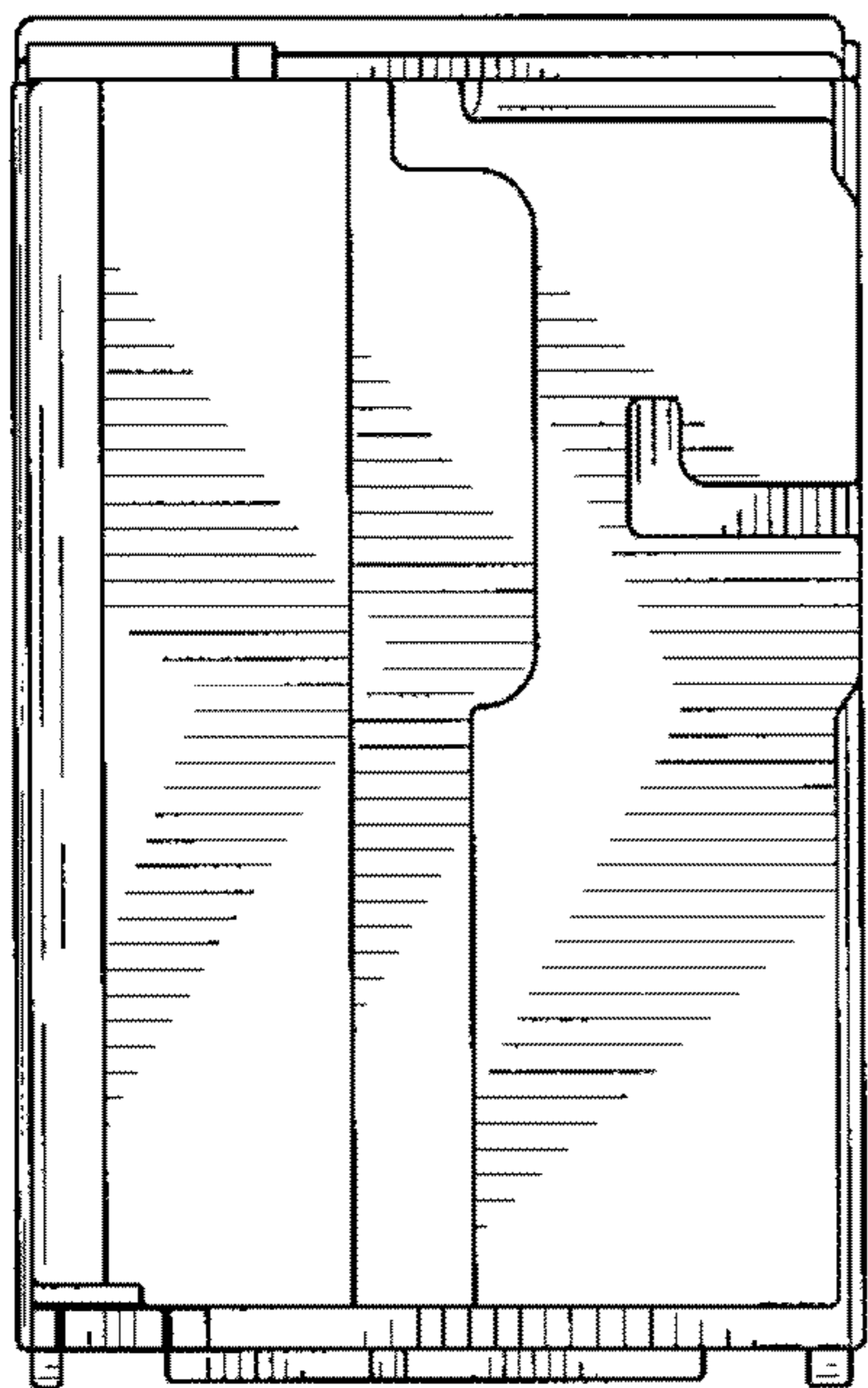


FIG. 5

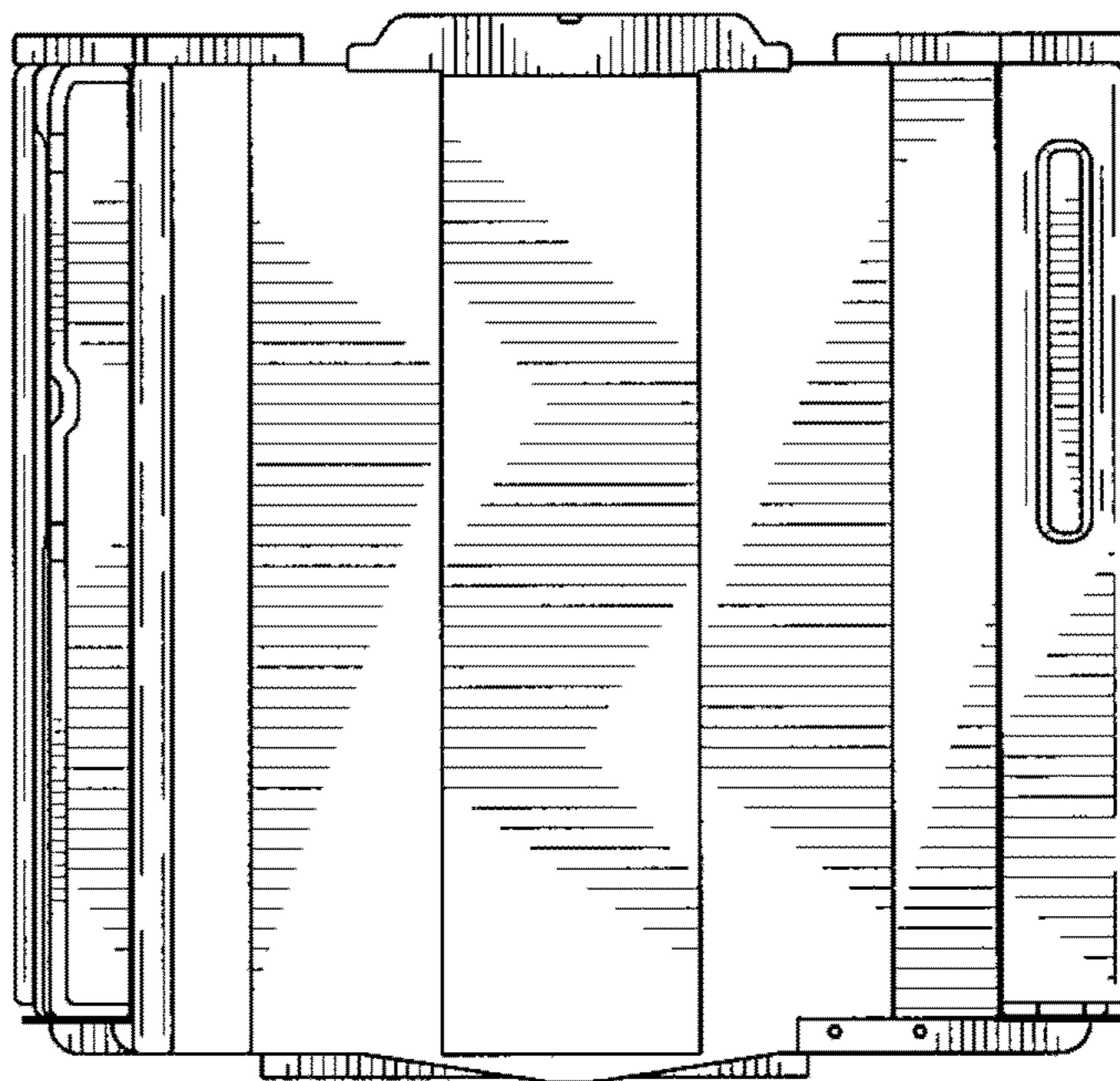


FIG. 6

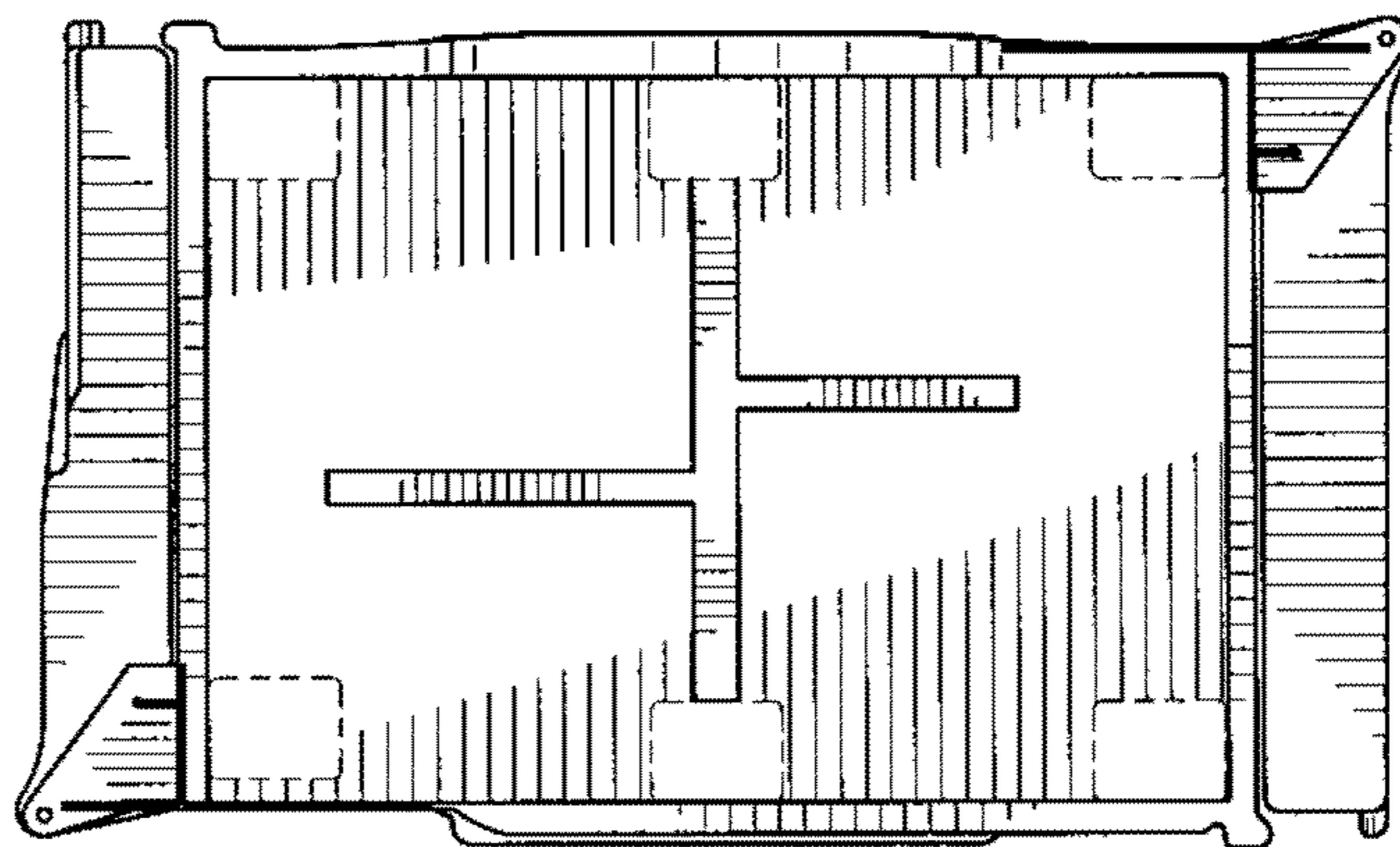


FIG. 7

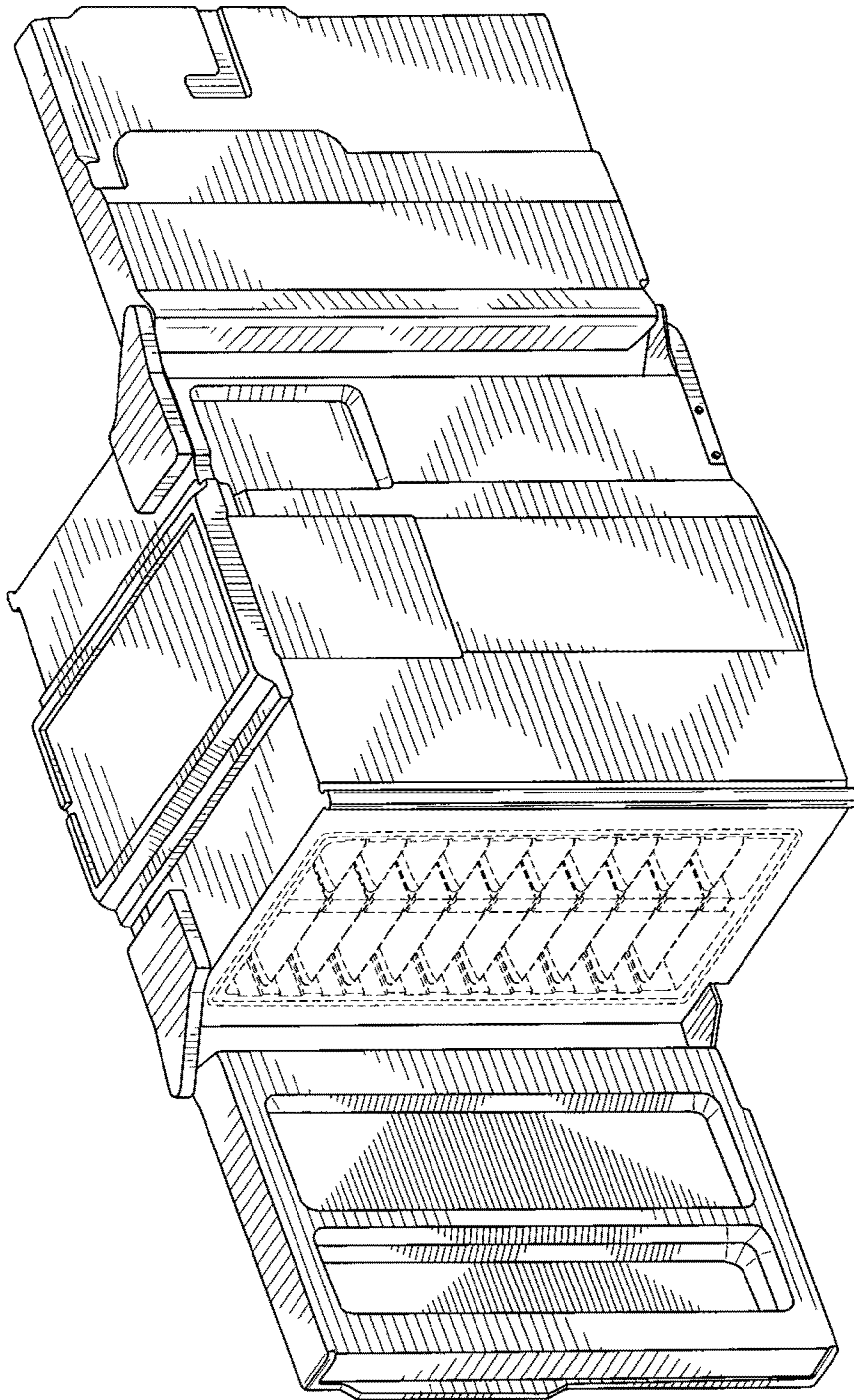


FIG. 8