



US00D760012S

(12) **United States Design Patent**
Lin

(10) **Patent No.:** **US D760,012 S**
(45) **Date of Patent:** **** Jun. 28, 2016**

- (54) **BARBECUE GRILL**
- (71) Applicant: **H&H ASIA LTD.**, Shenzhen (CN)
- (72) Inventor: **Chih-Jen Lin**, Shenzhen (CN)
- (73) Assignee: **H&H ASIA LTD.**, Shenzhen (CN)
- (**) Term: **14 Years**
- (21) Appl. No.: **29/487,205**
- (22) Filed: **Apr. 7, 2014**

(30) **Foreign Application Priority Data**

Feb. 26, 2014 (CN) 2014 3 0035245

(51) **LOC (10) Cl.** **07-02**

(52) **U.S. Cl.**
USPC **D7/337**

(58) **Field of Classification Search**
USPC D7/332, 334-337, 402-405, 417
CPC A47J 37/0704; A47J 37/0763; A47J
37/0745; A47J 37/0713; A47J 37/0768;
A47J 37/079; F24B 1/205; F24B 15/04;
F24C 3/14; F47J 33/00; F47J 36/26; B65D
7/26

See application file for complete search history.

(56) **References Cited**

U.S. PATENT DOCUMENTS

D457,030 S *	5/2002	DeMars	D7/332
D457,776 S *	5/2002	DeMars	D7/332
D458,506 S *	6/2002	DeMars	D7/332
D503,582 S *	4/2005	Johnson	D7/332
D607,262 S *	1/2010	Chung	D7/334

D618,035 S *	6/2010	Chung	D7/334
D631,686 S *	2/2011	Tiller	D7/337
D687,667 S *	8/2013	Chien	D7/334
D688,082 S *	8/2013	Crick	D7/334
D688,083 S *	8/2013	Crick	D7/337
D699,999 S *	2/2014	Miller	D7/337
D703,992 S *	5/2014	Yang	D7/337
D713,683 S *	9/2014	Pai	D7/402
D717,097 S *	11/2014	Lin	D7/334
D726,490 S *	4/2015	Spencer	D7/332
D737,092 S *	8/2015	Lin	D7/334
2004/0112365 A1 *	6/2004	Johnson	A47J 37/0713 126/41 R
2005/0051151 A1 *	3/2005	Johnson	A47J 37/0713 126/41 R
2008/0230045 A1 *	9/2008	Bruno	A47J 37/0704 126/25 R
2010/0180881 A1 *	7/2010	Chen	A47J 37/0713 126/25 R
2013/0074822 A1 *	3/2013	Chien	A47J 37/0763 126/25 R

* cited by examiner

Primary Examiner — Ruth McInroy

(74) *Attorney, Agent, or Firm* — Hamre, Schumann, Mueller & Larson, P.C.

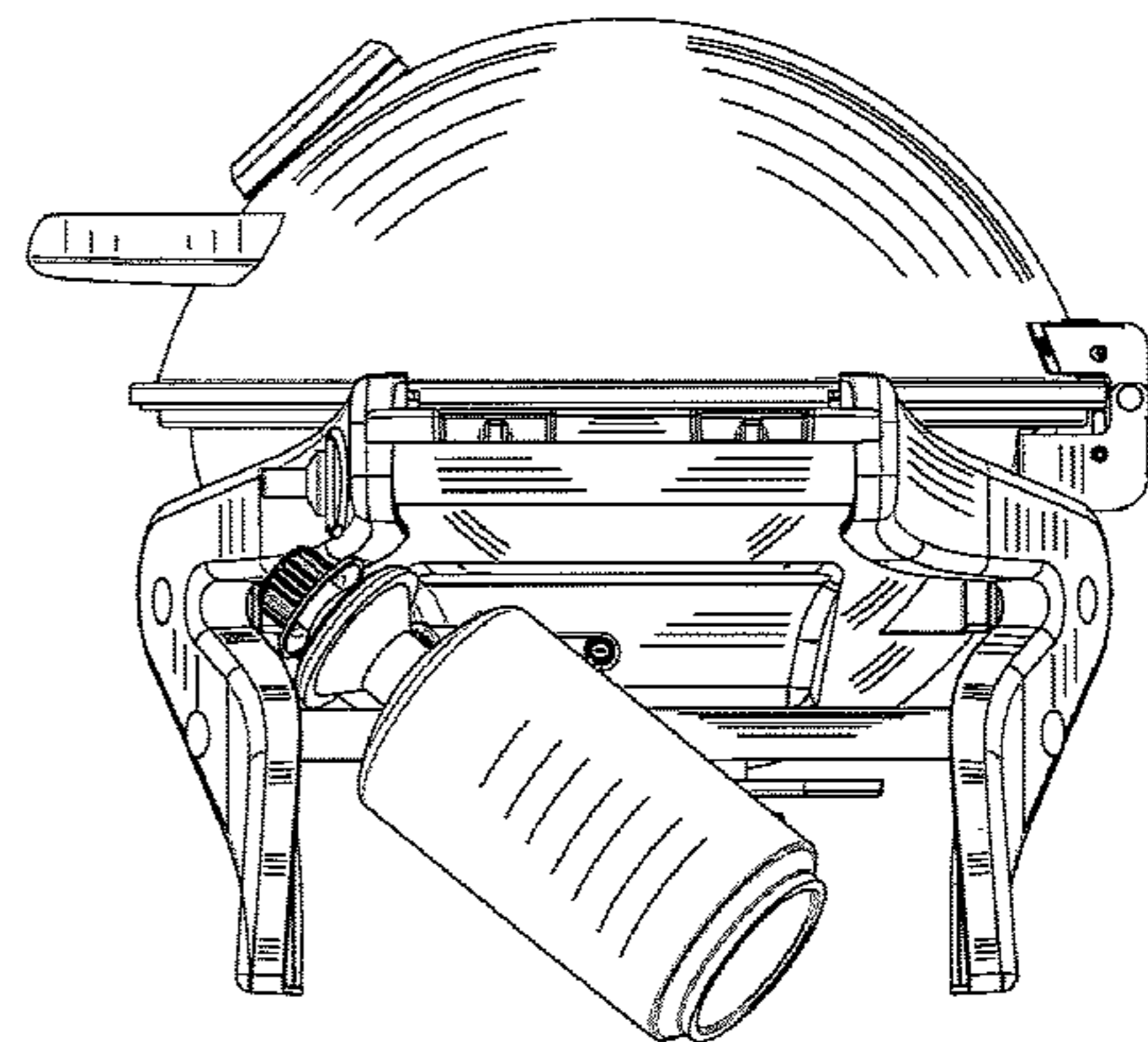
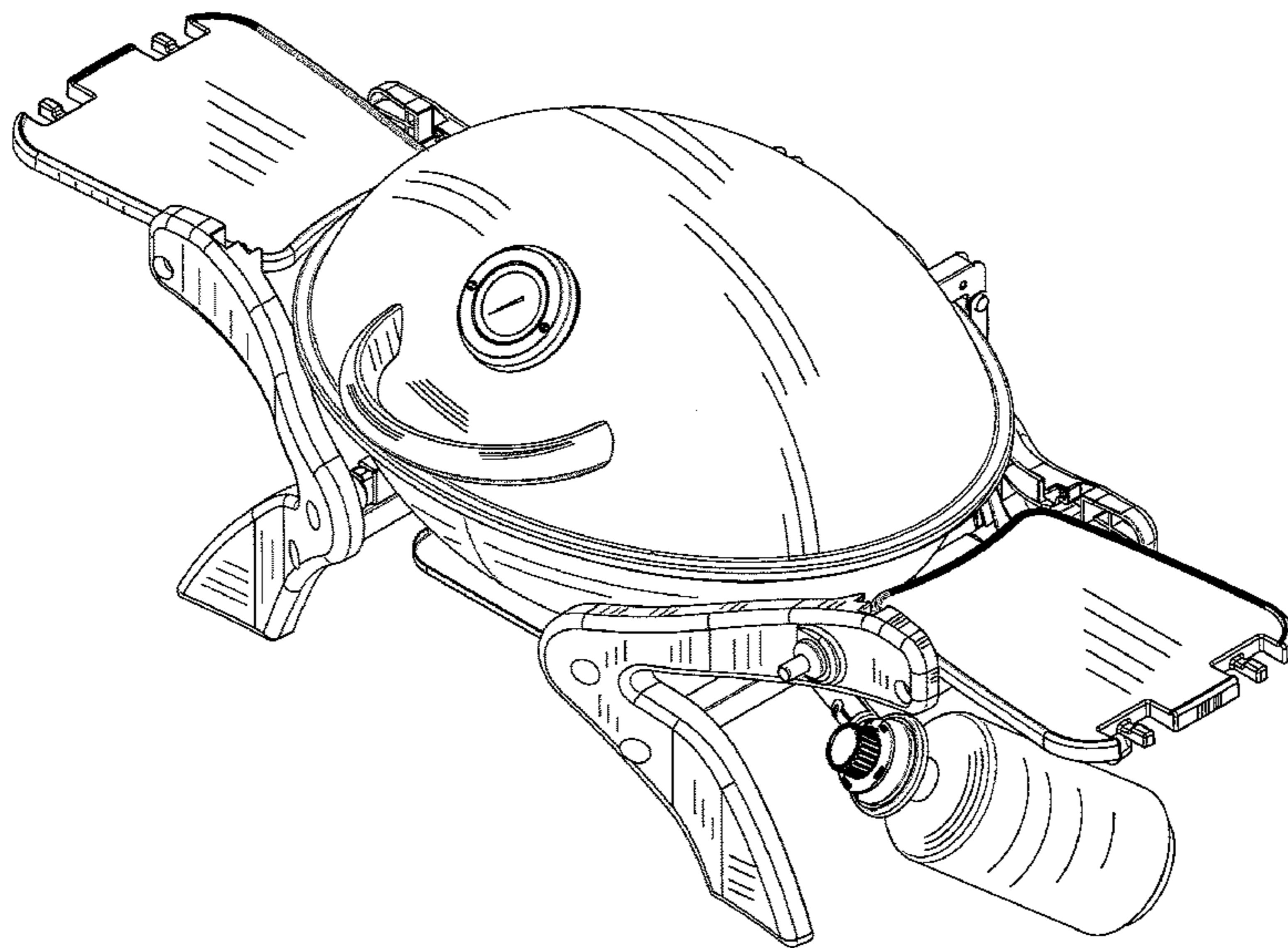
(57) **CLAIM**

The ornamental design for a barbecue grill, as shown.

DESCRIPTION

FIG. 1 is the perspective view of the barbecue grill;
FIG. 2 is a front view of the barbecue grill;
FIG. 3 is a rear view of the barbecue grill;
FIG. 4 is a left side view of the barbecue grill;
FIG. 5 is a right side view of the barbecue grill; and,
FIG. 6 is a bottom view of the barbecue grill.

1 Claim, 6 Drawing Sheets



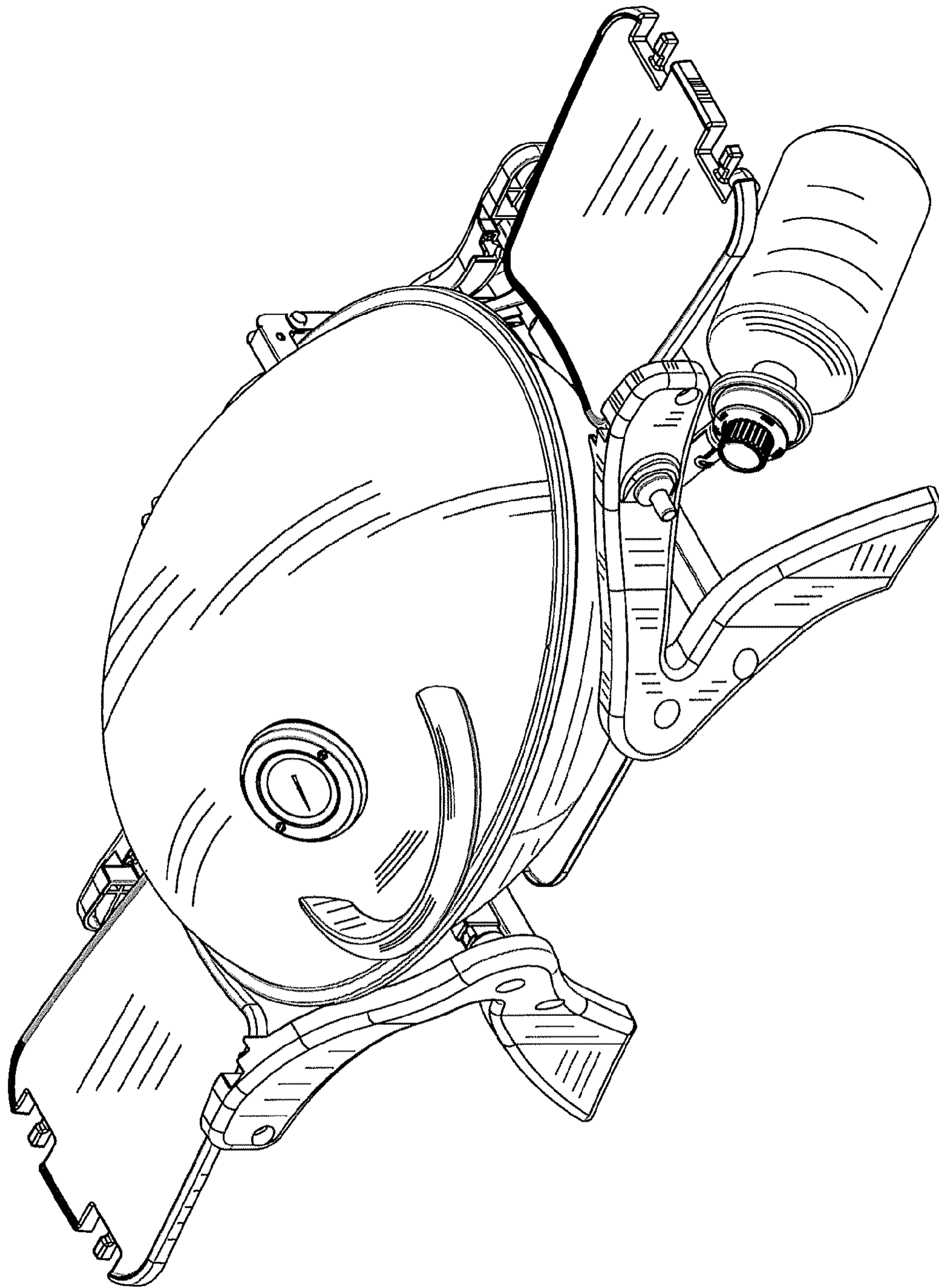


FIG. 1

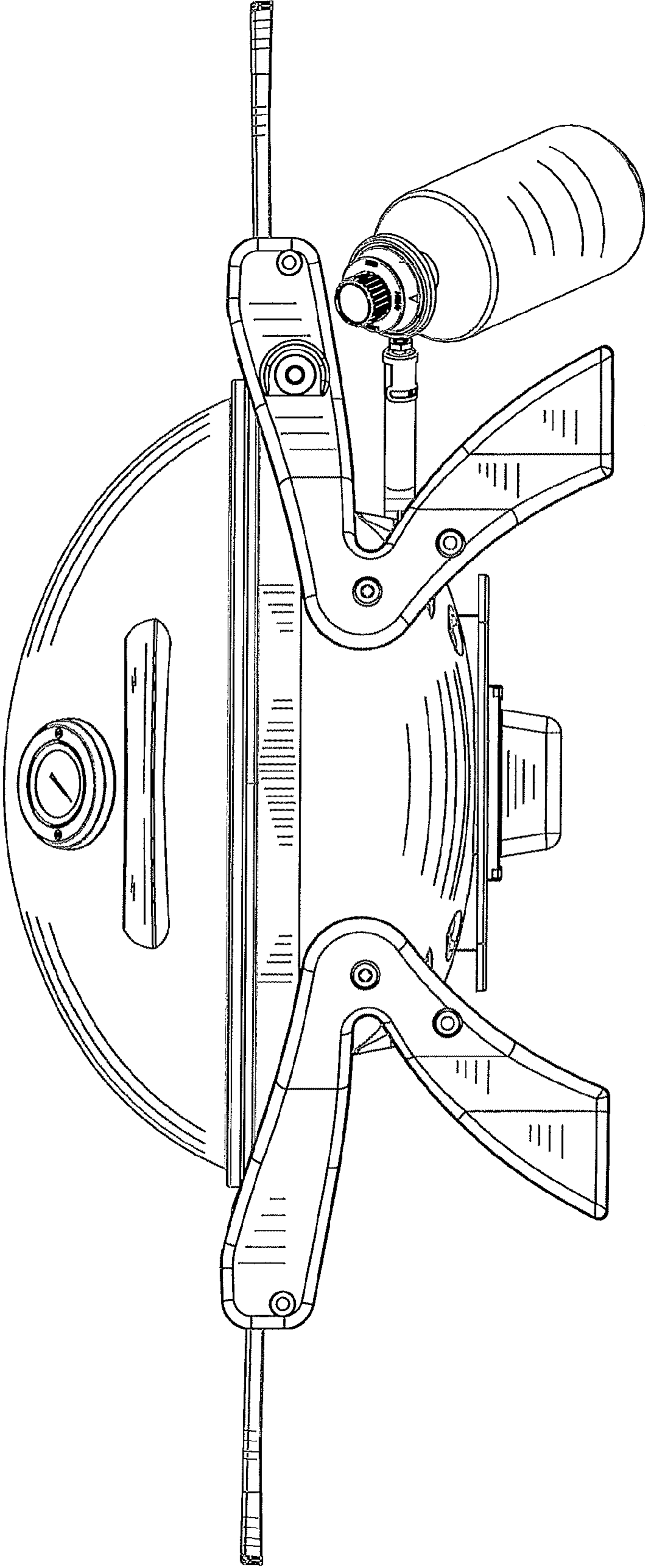


Fig.2

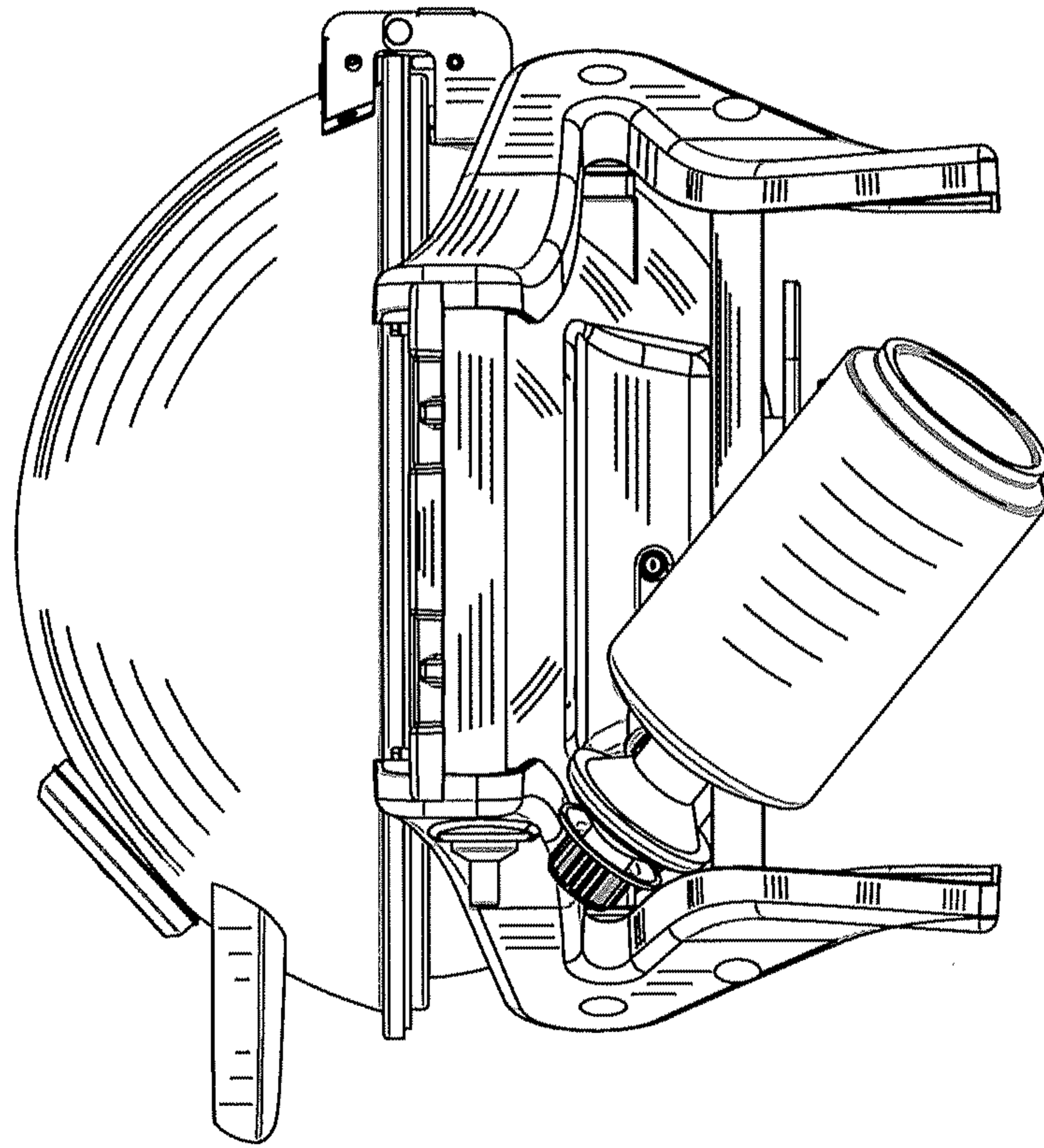


Fig.3

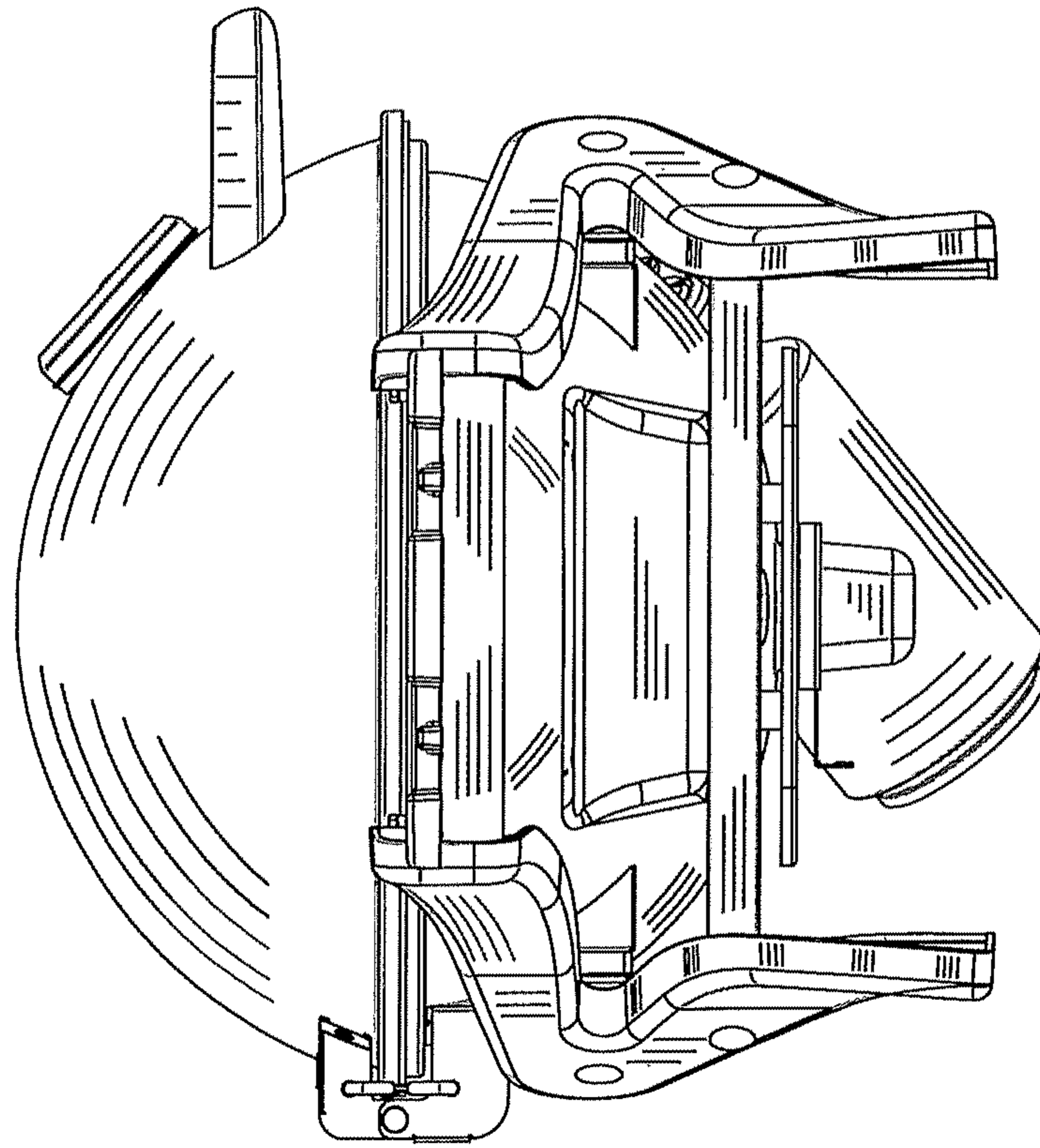


Fig. 4

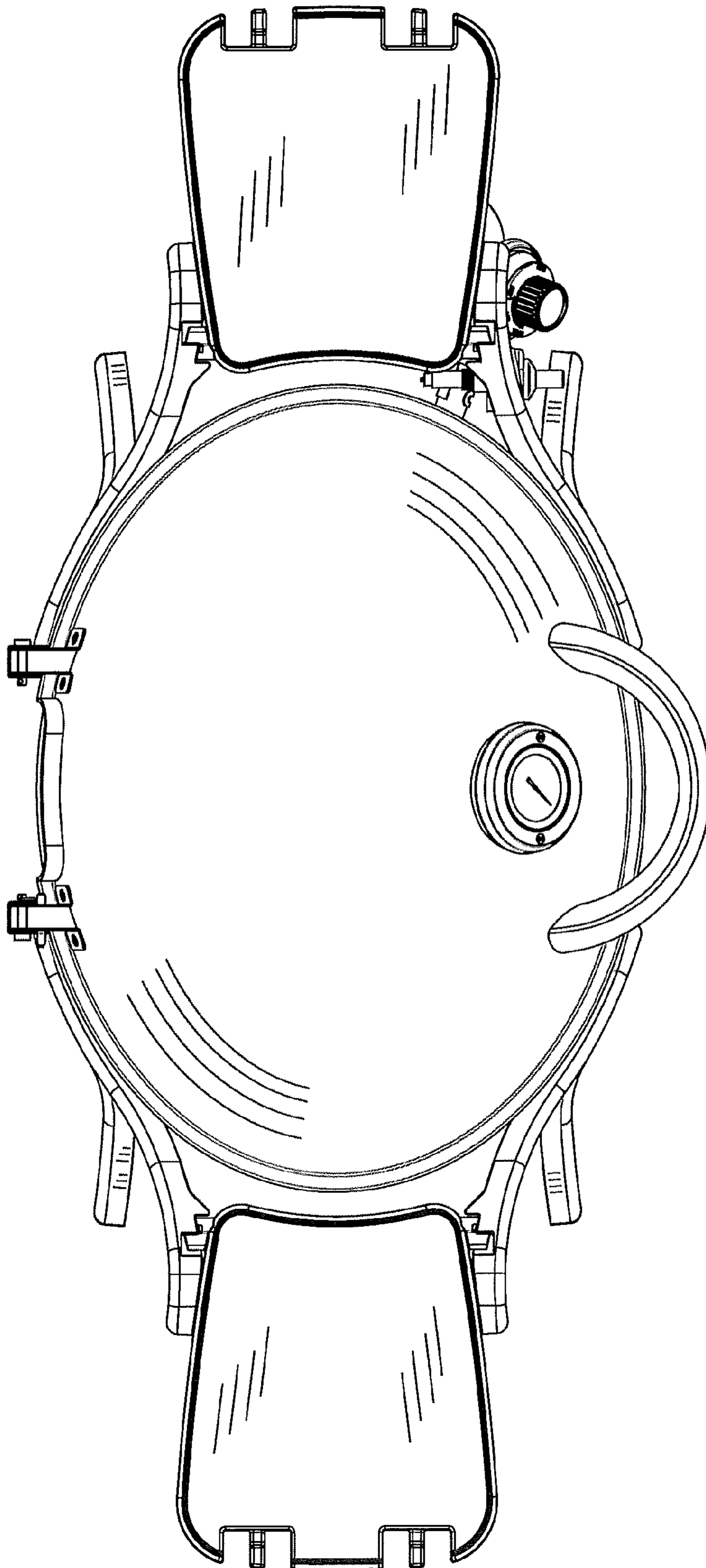


Fig.5

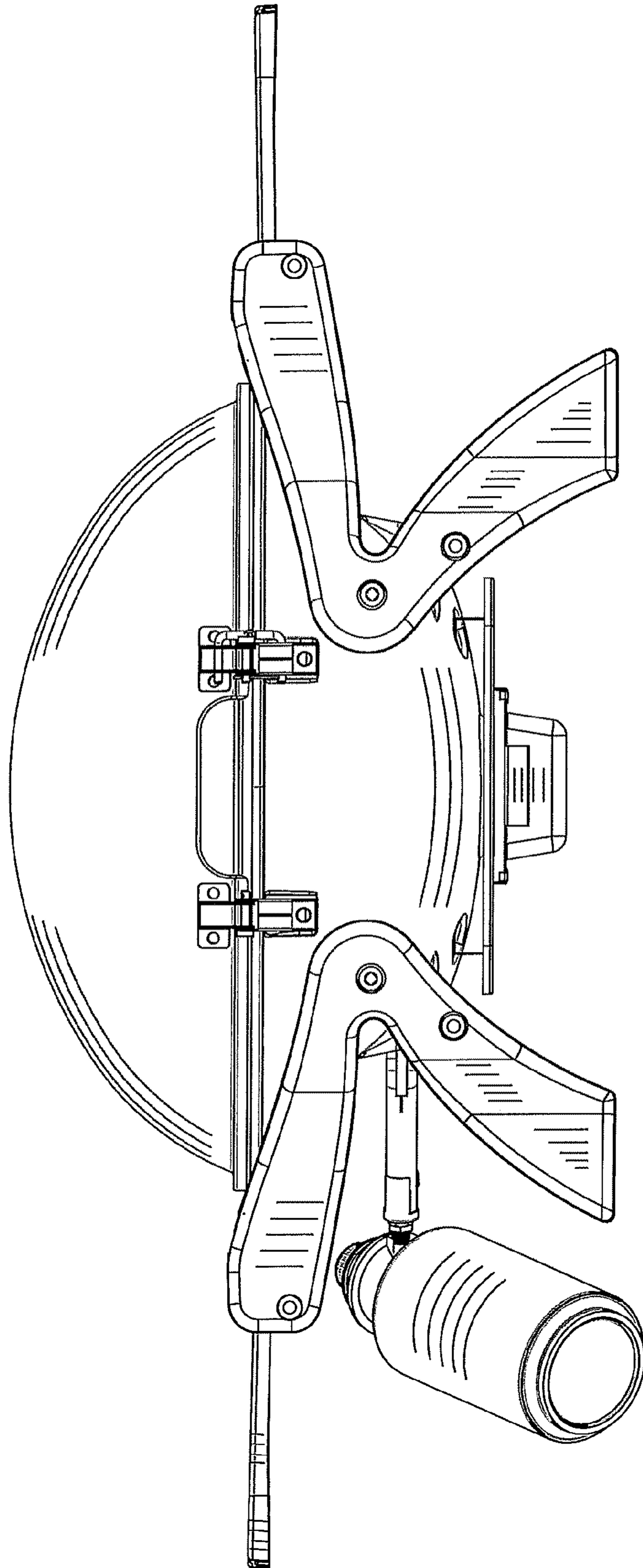


FIG. 6