



US00D760011S

(12) **United States Design Patent**  
**Berge et al.**

(10) **Patent No.:** **US D760,011 S**  
(45) **Date of Patent:** **\*\* Jun. 28, 2016**

(54) **POPCORN POPPER**

(71) Applicant: **National Presto Industries, Inc.**, Eau Claire, WI (US)

(72) Inventors: **Michael R. Berge**, Eau Claire, WI (US);  
**James A. Hedrington**, Chippewa Falls, WI (US)

(73) Assignee: **National Presto Industries, Inc.**, Eau Claire, WI (US)

(\*\*) Term: **14 Years**

(21) Appl. No.: **29/514,833**

(22) Filed: **Jan. 16, 2015**

(51) **LOC (10) Cl.** ..... **31-00**

(52) **U.S. Cl.**  
USPC ..... **D7/325**

(58) **Field of Classification Search**

USPC ..... D7/323, 325, 337, 339, 346-347, 350.1, D7/350.4, 354, 362, 391, 602, 629  
CPC ..... A23L 1/01; A23L 1/0128; A23L 1/10; A23L 1/18; A23L 1/1802; A23L 1/1812; A23L 1/1815; A23L 1/1817; A23L 1/217; A23P 1/14; A23P 1/142; A23P 1/144; A23P 1/146; A23P 1/148; A47J 27/004; A47J 36/027; A47J 36/06; B65D 81/34; B65D 81/3407; B65D 81/3446; B65D 81/3453  
See application file for complete search history.

(56) **References Cited**

**U.S. PATENT DOCUMENTS**

D193,260 S 7/1962 Dewenter  
D229,387 S 11/1973 Gruber  
4,138,937 A 2/1979 De Weese  
4,152,974 A 5/1979 Tienor  
D256,019 S 7/1980 Boldt et al.  
D259,385 S 6/1981 Levin  
D260,649 S 9/1981 Wondergem

D262,426 S 12/1981 Bluestein et al.  
D279,069 S \* 6/1985 Goodlaxson ..... D7/325  
D279,070 S 6/1985 Morrison  
D279,448 S 7/1985 Spoeth, Jr.  
D281,137 S 10/1985 Cesaroni

(Continued)

**OTHER PUBLICATIONS**

Application and File history for U.S. Appl. No. 14/262,299, filed Apr. 25, 2014. Inventors: Rooney et al.

(Continued)

*Primary Examiner* — Ricky Pham

(74) *Attorney, Agent, or Firm* — Patterson Thunte Pedersen, P.A.

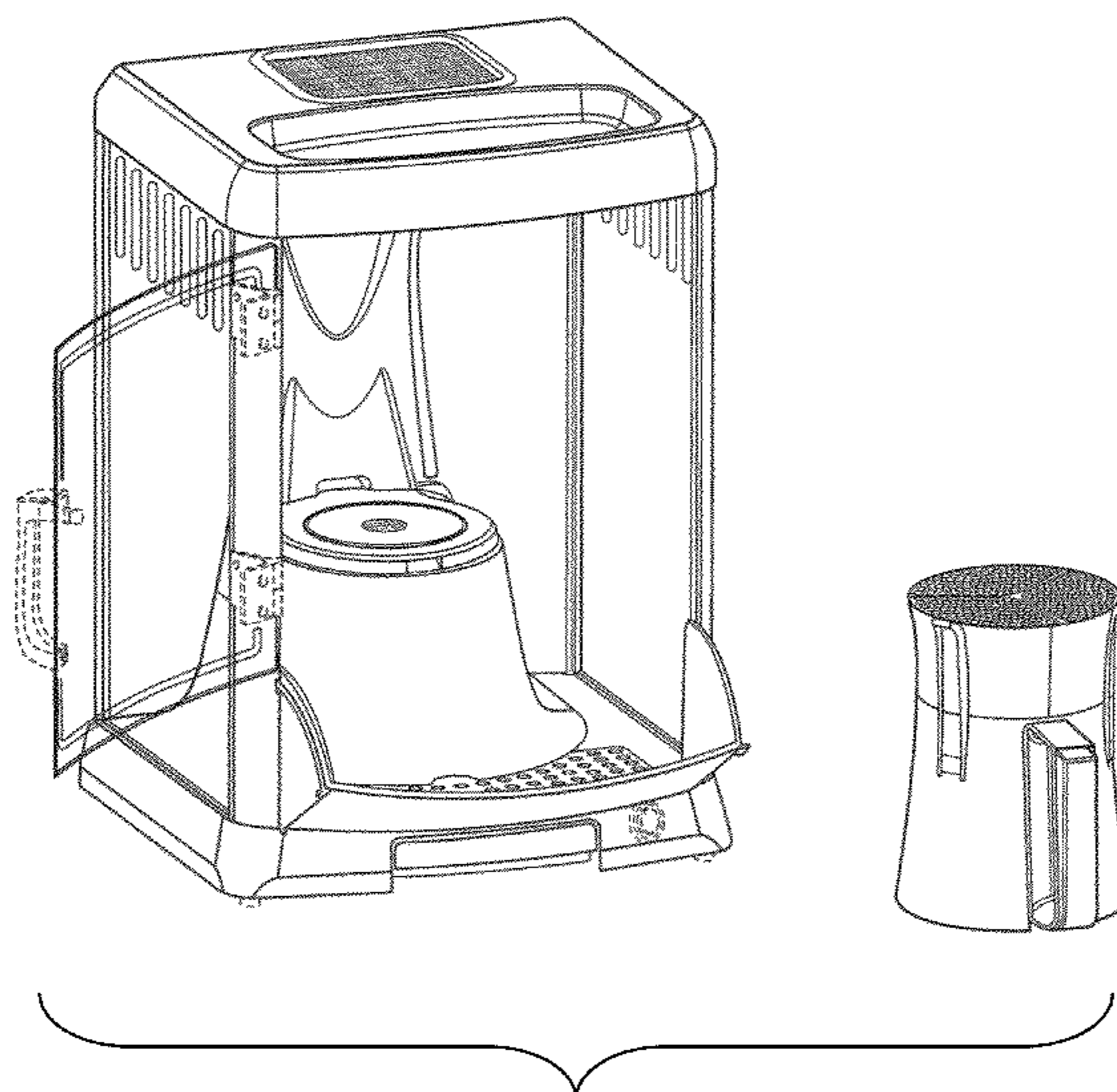
(57) **CLAIM**

We claim the ornamental design for popcorn popper, as shown and described.

**DESCRIPTION**

FIG. 1 is a front view of a popcorn popper according to an embodiment of the invention.  
FIG. 2 is a right side view of the popcorn popper depicted in FIG. 1.  
FIG. 3 is a rear view of the popcorn popper depicted in FIG. 1.  
FIG. 4 is a left side view of the popcorn popper depicted in FIG. 1.  
FIG. 5 is a bottom view of the popcorn popper depicted in FIG. 1.  
FIG. 6 is a top view of the popcorn popper depicted in FIG. 1.  
FIG. 7 is a front, perspective view of the popcorn popper depicted in FIG. 1; and,  
FIG. 8 is an exploded front, perspective view of the popcorn popper depicted in FIG. 1 in an open state with a detached popping chamber.  
Items shown in broken lines are for illustrative purposes only and form no part of the claimed invention.

**1 Claim, 8 Drawing Sheets**



(56)

**References Cited**

U.S. PATENT DOCUMENTS

4,702,158 A 10/1987 Ishihara  
 D294,673 S 3/1988 Solomon  
 4,748,903 A 6/1988 Fereshetian  
 D298,202 S 10/1988 Levin  
 4,920,760 A 5/1990 Muhlack  
 D317,238 S 6/1991 Busick  
 D317,838 S 7/1991 Millet et al.  
 D325,483 S 4/1992 Muhlack  
 D338,800 S 8/1993 Duquaine  
 D354,639 S 1/1995 Stoddard et al.  
 5,397,879 A 3/1995 Geissler  
 D360,102 S 7/1995 Geissler et al.  
 D361,918 S 9/1995 Cesaroni et al.  
 5,501,139 A 3/1996 Lee  
 6,000,318 A 12/1999 Weiss et al.  
 D442,816 S 5/2001 Chen  
 D461,097 S 8/2002 Nemirovsky  
 D551,016 S \* 9/2007 Bond ..... D7/325  
 D552,405 S \* 10/2007 Bond ..... D7/325  
 D569,677 S 5/2008 Poon  
 D607,260 S 1/2010 Lam  
 D615,797 S 5/2010 Berge et al.  
 D625,604 S 10/2010 Zaslow

D628,428 S \* 12/2010 Bond ..... D7/325  
 D628,847 S \* 12/2010 Liu ..... D7/325  
 D632,123 S \* 2/2011 Kauer ..... D7/325  
 D633,748 S \* 3/2011 Haskin ..... D7/325  
 D642,006 S 7/2011 Seymour  
 D645,292 S \* 9/2011 Bond ..... D7/325  
 D650,627 S \* 12/2011 Kauer ..... D7/325  
 8,127,565 B1 3/2012 Lange et al.  
 D663,992 S \* 7/2012 Kauer ..... D7/325  
 D677,969 S \* 3/2013 Bond ..... D7/325  
 D687,666 S \* 8/2013 Mercier ..... D7/325  
 D722,245 S \* 2/2015 Mao ..... D7/325  
 D723,320 S 3/2015 Rooney et al.  
 2015/0305375 A1 10/2015 Rooney et al.

OTHER PUBLICATIONS

Presto® Hot Air Popper User Manual, copyright 2009, 4 pages.  
 Presto® Stirring Popcorn Popper User Manual, copyright 2010, 6 pages.  
 Presto® PowerPop Microwave Multi-Popper User Manual, copyright 2008, 8 pages.  
 Application and File history for U.S. Appl. No. 29/489,092, filed Apr. 25, 2014. Inventors: Rooney et al.

\* cited by examiner

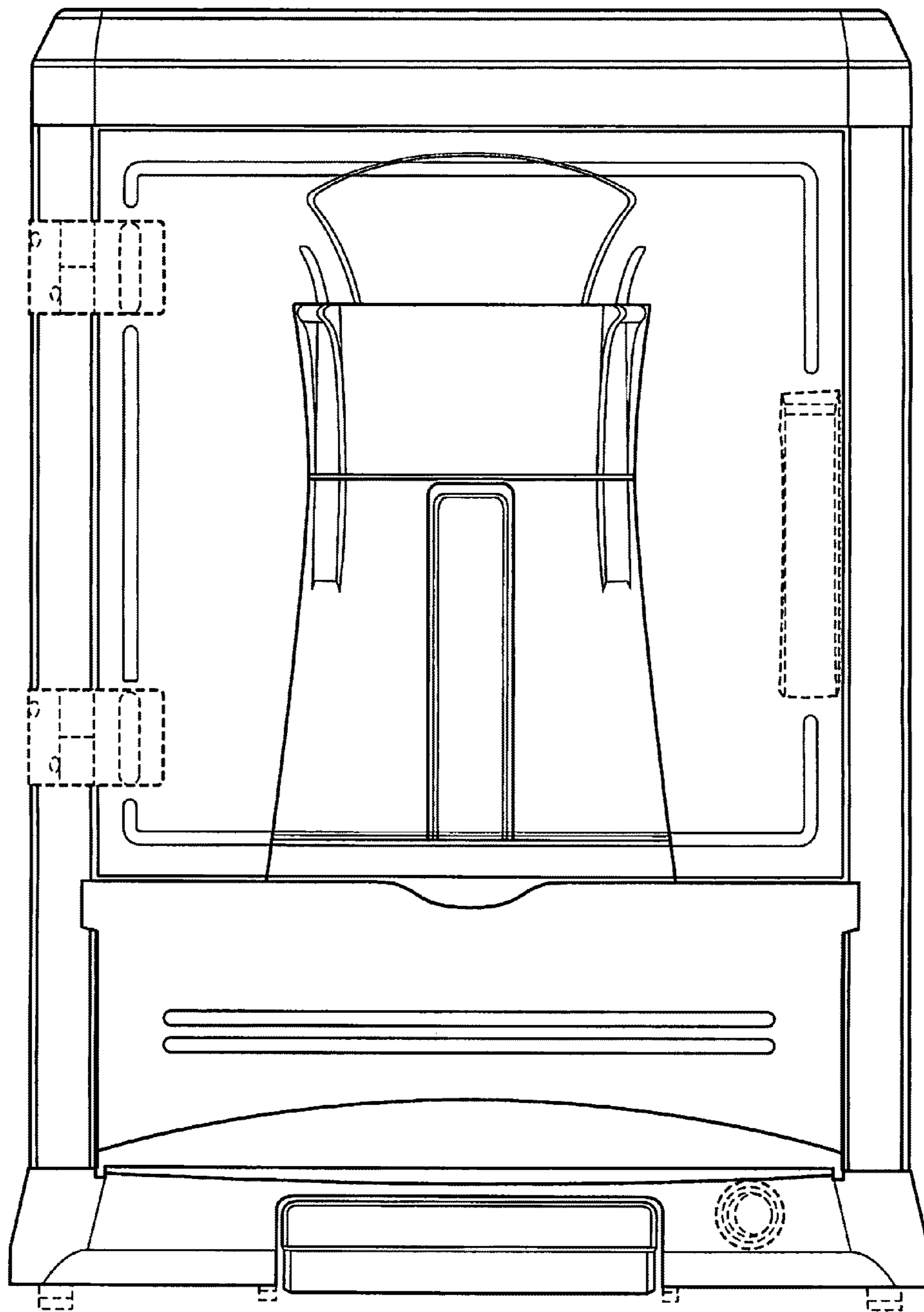


FIG. 1

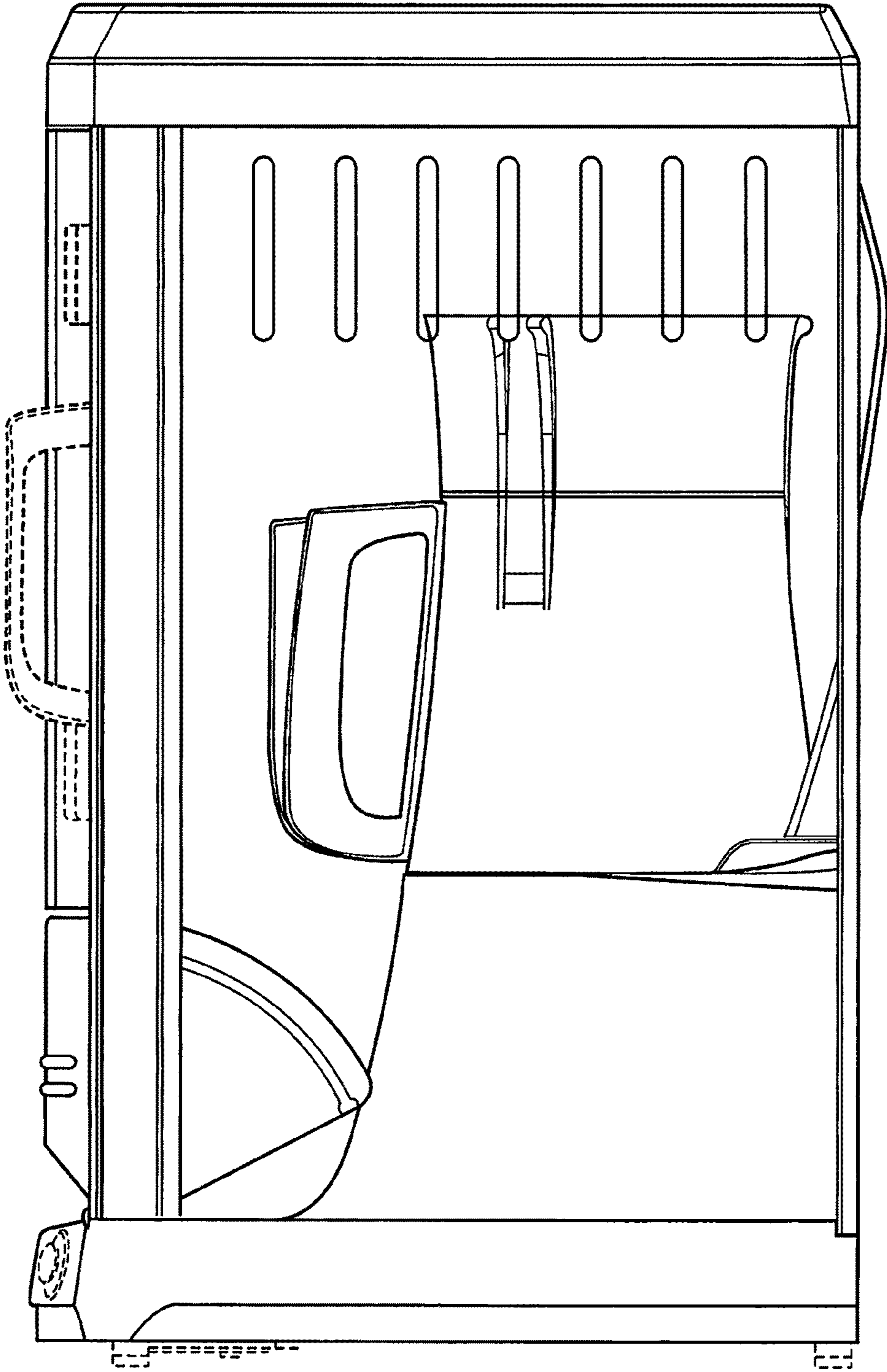


FIG. 2

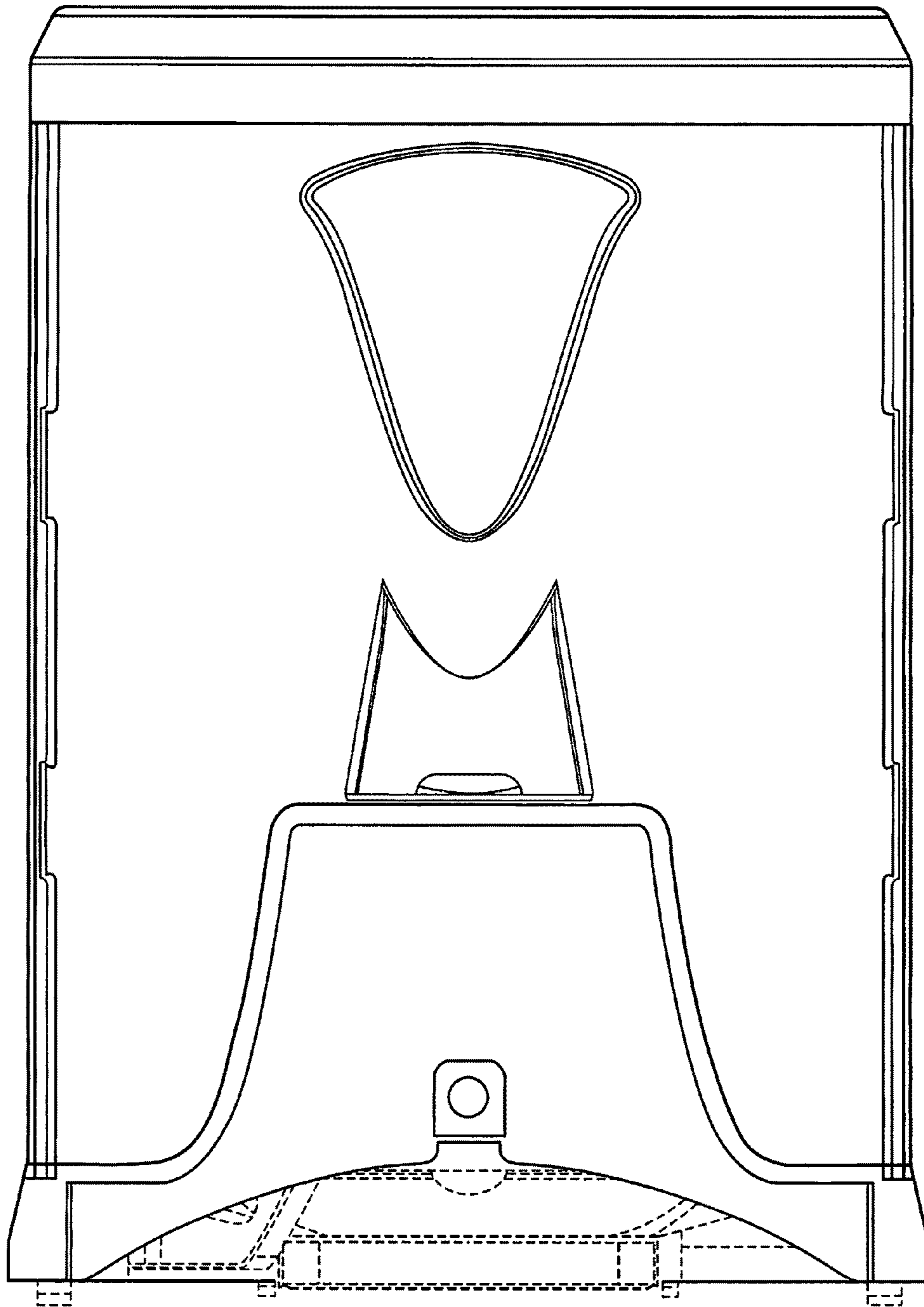


FIG. 3

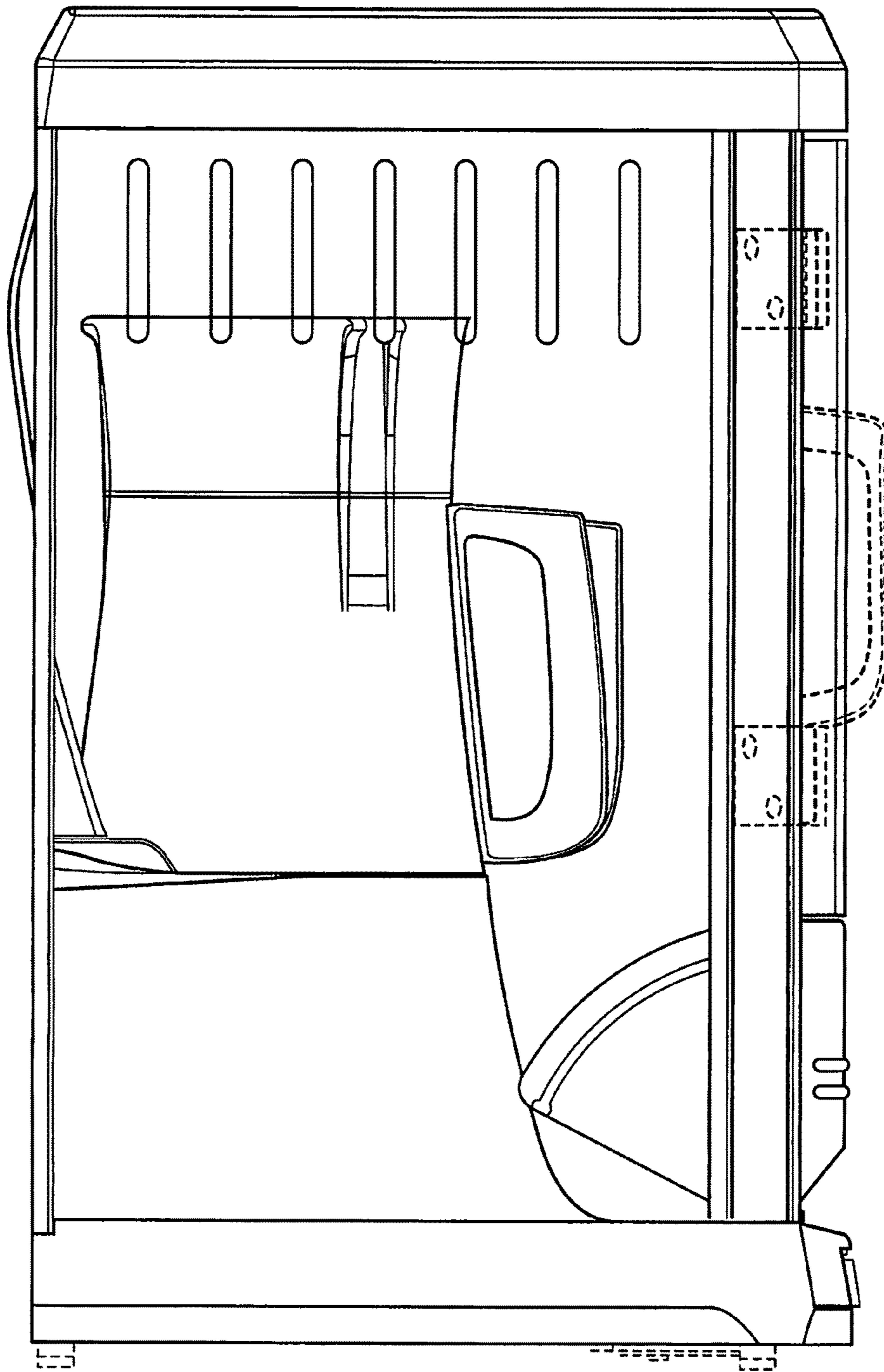


FIG. 4

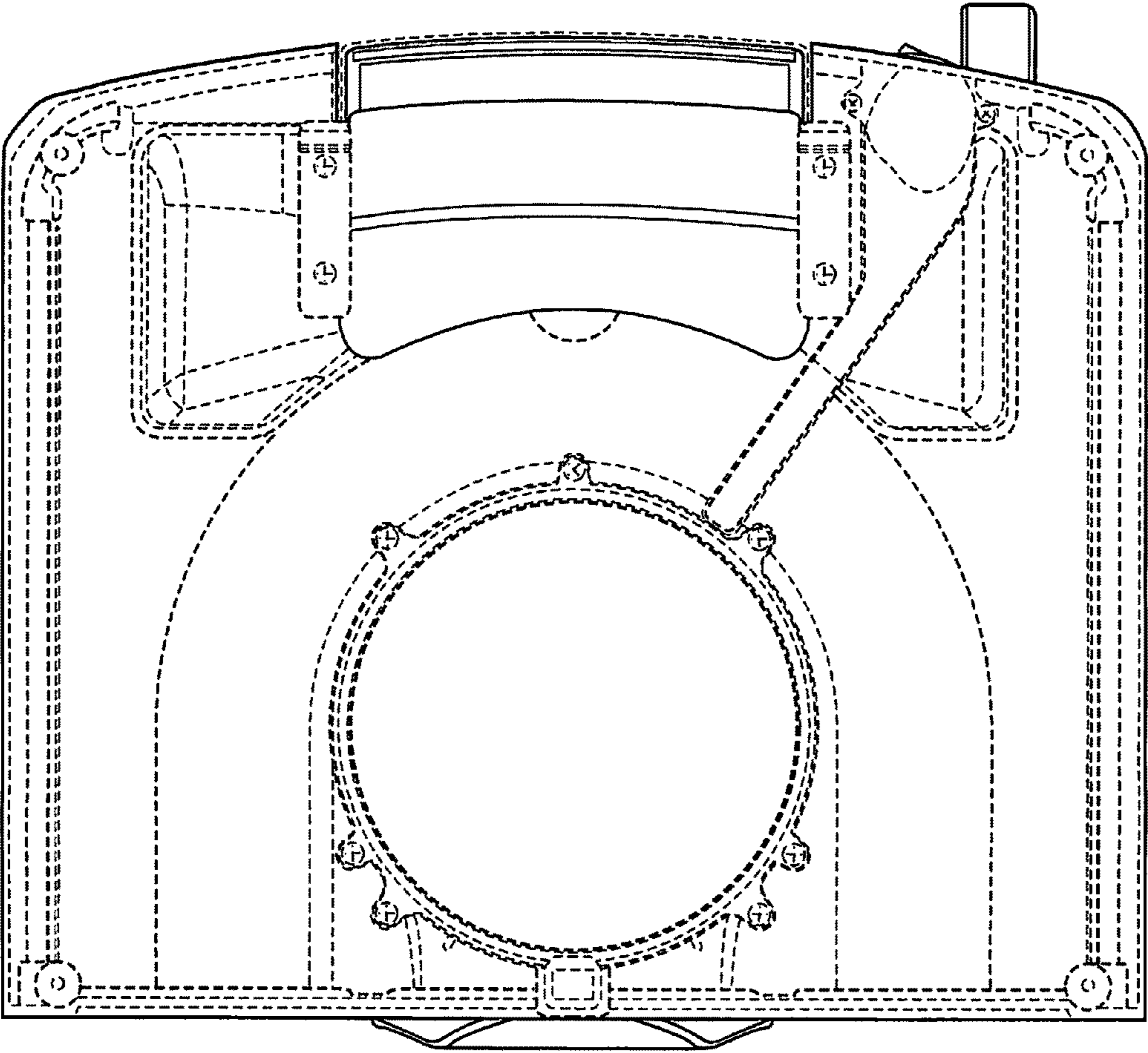


FIG. 5

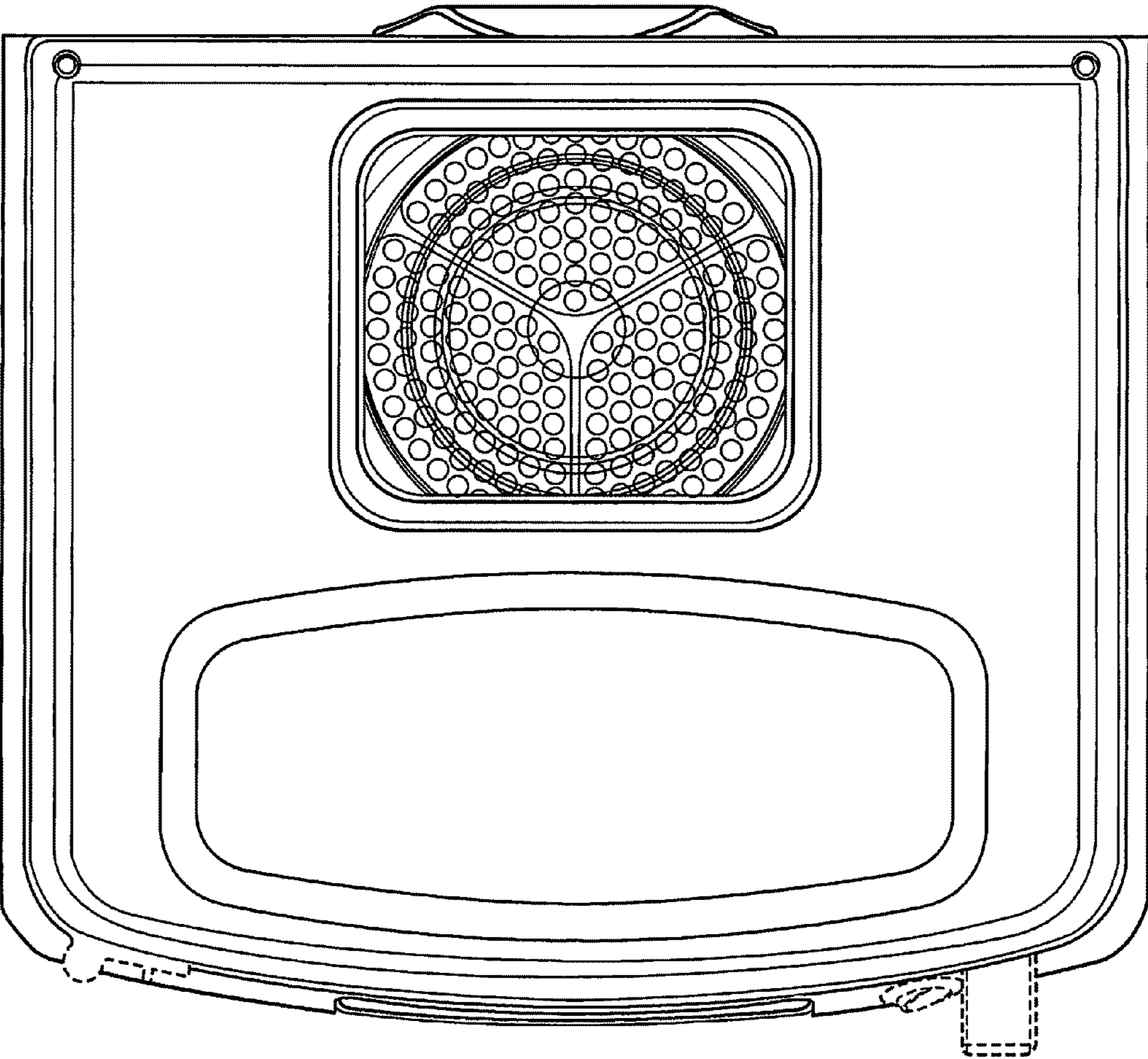


FIG. 6



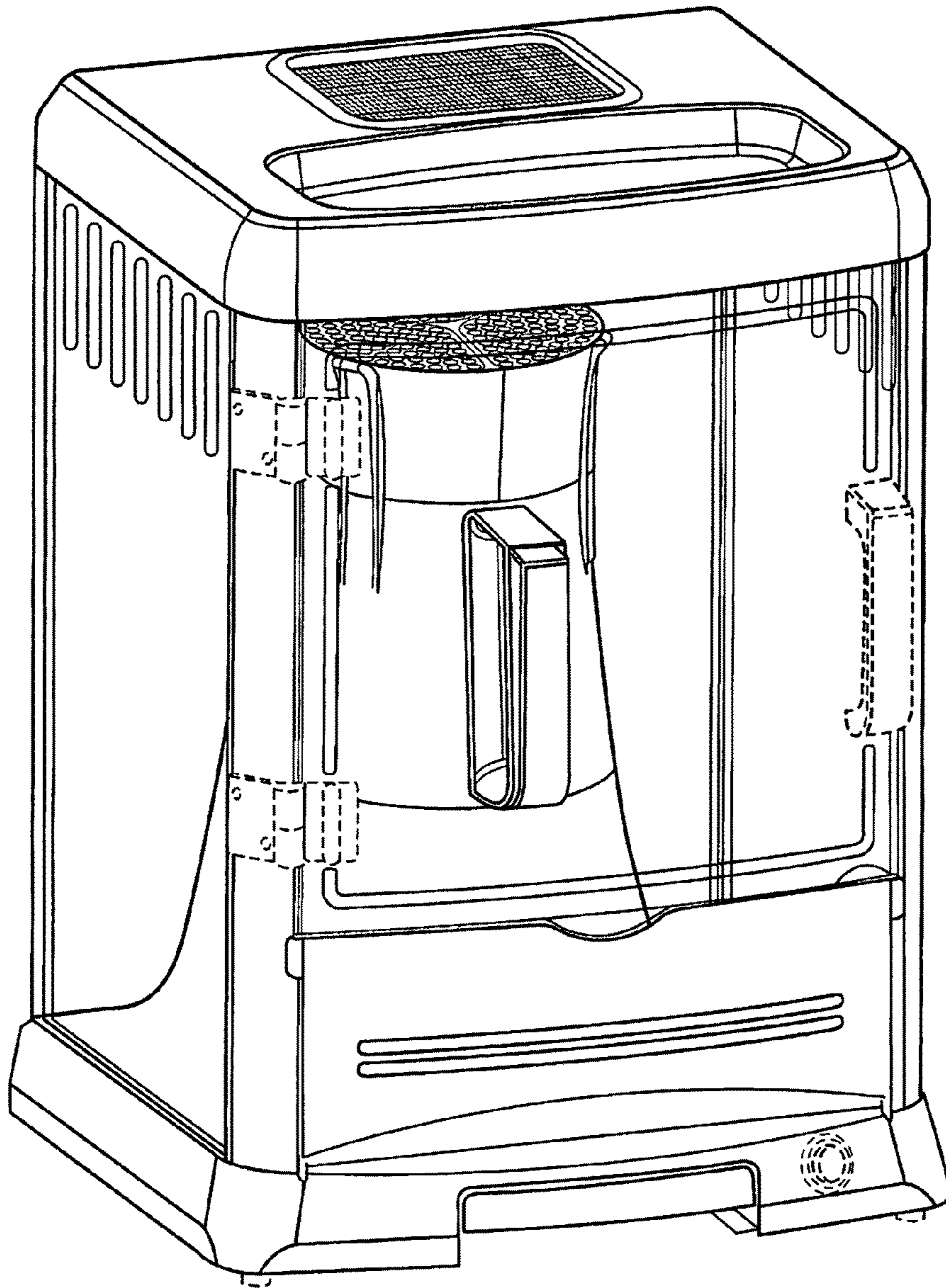


FIG. 7

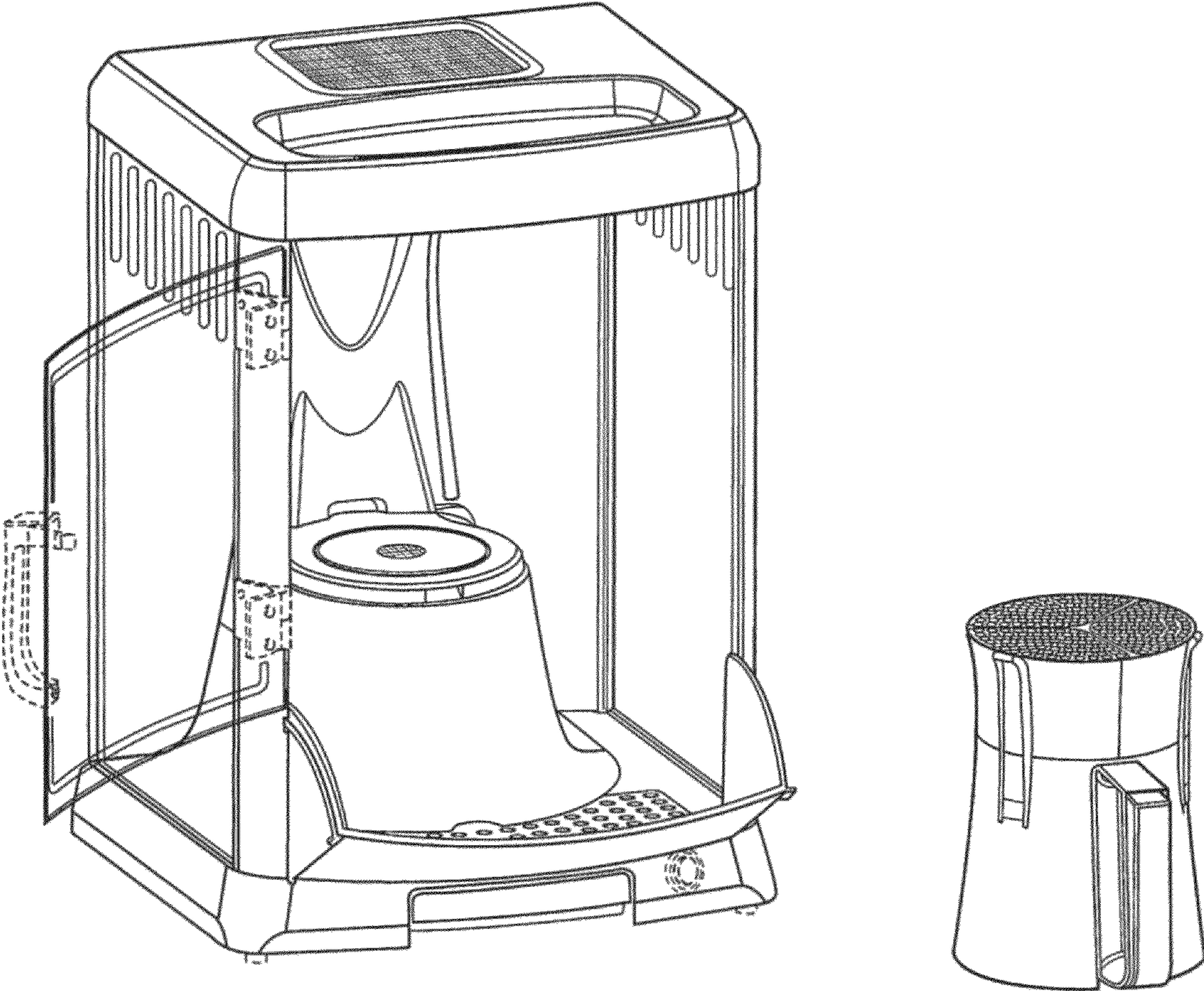


FIG.8