



US00D760008S

(12) **United States Design Patent**
Moon et al.

(10) **Patent No.:** **US D760,008 S**
(45) **Date of Patent:** **** Jun. 28, 2016**

(54) **BEVERAGE MACHINE**
(71) Applicant: **CLOVER CO., LTD.**, Anyang (KR)
(72) Inventors: **Il Mook Moon**, Gwacheon (KR); **Sun Bae Hong**, Gunpo (KR); **Yoo Jin Hwang**, Haewoondae-Gu (KR)
(73) Assignee: **CLOVER CO., LTD.**, Anyang (KR)
(**) Term: **14 Years**
(21) Appl. No.: **29/510,930**
(22) Filed: **Dec. 4, 2014**

7,032,502 B2 4/2006 Chan et al.
D525,070 S * 7/2006 Moreno D7/309
7,216,582 B2 5/2007 Yoakim et al.
7,347,138 B2 3/2008 Bragg et al.
7,398,726 B2 7/2008 Streeter et al.
7,415,921 B2 8/2008 Brouwer
D582,714 S * 12/2008 Hensel D7/309
7,481,151 B2 1/2009 Van Der Meer et al.
7,523,695 B2 4/2009 Streeter et al.
D594,688 S * 6/2009 Hammad D7/306
7,600,467 B2 10/2009 Coccia et al.
D604,985 S * 12/2009 Taylor D7/309
D607,259 S * 1/2010 De Pra' D7/309
7,644,649 B2 1/2010 Dworzak et al.
7,644,650 B2 1/2010 Suzuki
7,677,158 B2 3/2010 McDuffie et al.
7,819,284 B2 10/2010 Hale
D626,368 S * 11/2010 De Pra' D7/309

(30) **Foreign Application Priority Data**
Jul. 8, 2014 (KR) 30-2014-0033336
(51) **LOC (10) Cl.** **07-01**
(52) **U.S. Cl.**
USPC **D7/306; D7/311**
(58) **Field of Classification Search**
USPC D7/306-311, 305, 300, 313, 399, 398,
D7/397; 99/279, 284, 290, 280, 299, 307,
99/305, 295, 308, 309, 323.1, 395, 300;
222/23, 129.1; 62/395; D20/1;
D23/207, 209; D15/89; D13/162, 164
CPC A47J 31/44; A47J 31/00; B67D 1/0041;
B67D 3/00
See application file for complete search history.

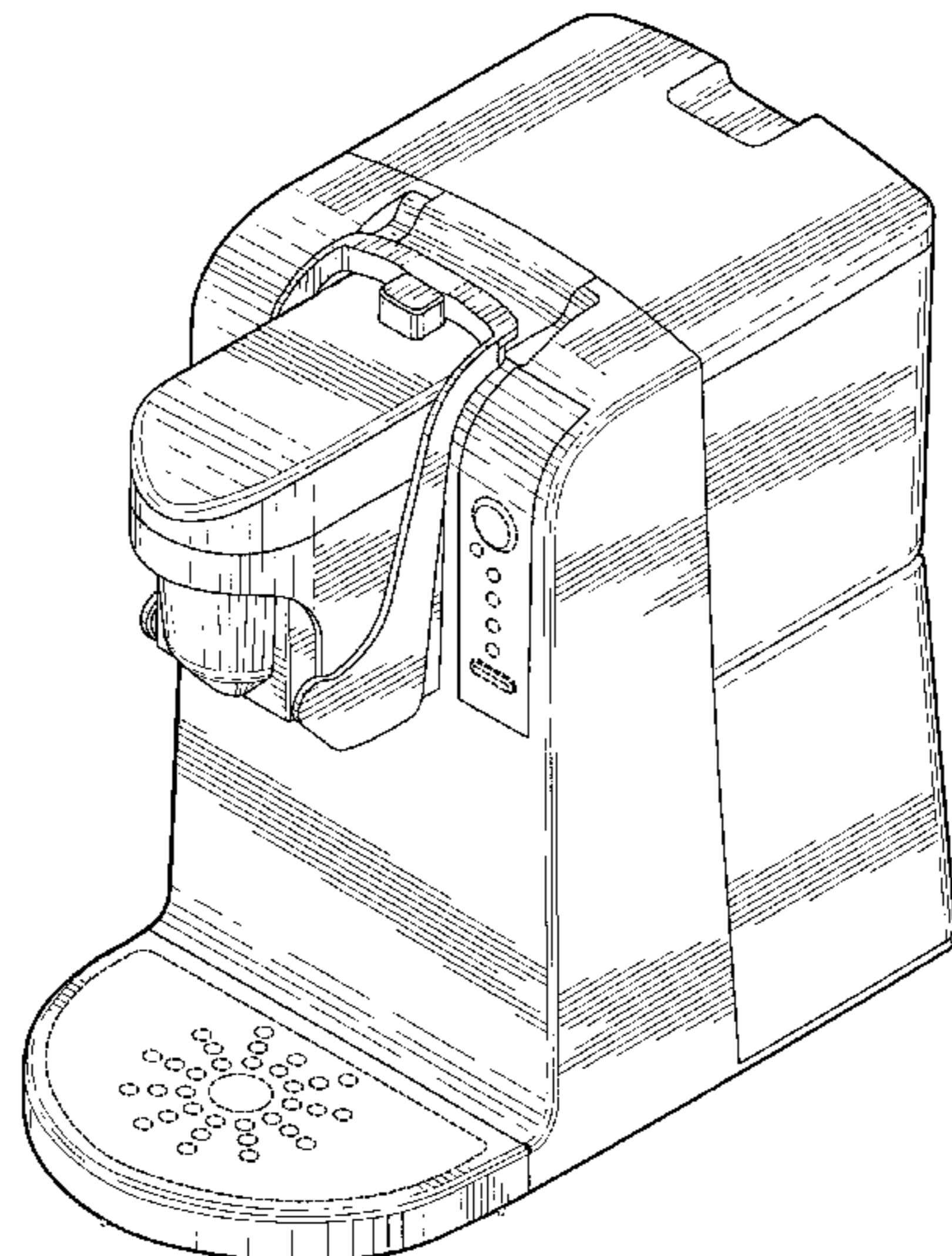
(Continued)
Primary Examiner — Marianne Pandozzi
(74) *Attorney, Agent, or Firm* — Oblon, McClelland, Maier & Neustadt, L.L.P.

(56) **References Cited**
U.S. PATENT DOCUMENTS
4,944,217 A 7/1990 Watanabe
5,454,293 A 10/1995 Santi
5,901,636 A 5/1999 Witziers et al.
6,490,966 B2 12/2002 Mariller et al.
6,698,332 B2 3/2004 Kollep et al.
6,789,461 B1 9/2004 Huang et al.
6,857,353 B2 2/2005 Kollep et al.

(57) **CLAIM**
The ornamental design for a beverage machine, as shown and described.

DESCRIPTION
FIG. 1 is a front, right side, top perspective view of a beverage machine showing my new design;
FIG. 2 is a front, left side, bottom perspective view thereof;
FIG. 3 is a back, right side, bottom perspective view thereof;
FIG. 4 is a front view thereof;
FIG. 5 is a back view thereof;
FIG. 6 is a left side view thereof;
FIG. 7 is a right side view thereof;
FIG. 8 is a top view thereof; and,
FIG. 9 is a bottom view thereof.
The broken lines depict portions of the beverage machine that form no part of the claimed design.

1 Claim, 9 Drawing Sheets



(56)

References Cited

U.S. PATENT DOCUMENTS

8,074,560 B2	12/2011	Levi et al.		2006/0090653 A1	5/2006	McDuffie et al.
8,151,694 B2	4/2012	Jacobs et al.		2006/0174773 A1	8/2006	Taylor
D674,232 S *	1/2013	Lavy	D7/309	2008/0041234 A1	2/2008	Cortese
8,387,516 B1	3/2013	Reynolds		2008/0121111 A1	5/2008	Paget et al.
8,640,605 B2	2/2014	Hart		2010/0112165 A1	5/2010	Masciandaro et al.
8,701,547 B2	4/2014	Leung et al.		2011/0197771 A1	8/2011	Bolzicco et al.
D709,722 S *	7/2014	Luippold	D7/305	2011/0259201 A1	10/2011	Mograbi
D719,391 S *	12/2014	De Pra	D7/309	2013/0004629 A1	1/2013	Clark et al.
D723,318 S *	3/2015	Andreesen	D7/306	2013/0032036 A1	2/2013	Zhong et al.
D738,149 S *	9/2015	Ye	D7/306	2013/0183130 A1	7/2013	Etter
D742,156 S *	11/2015	Harris	D7/306	2013/0223965 A1	8/2013	Choi et al.
				2014/0060335 A1	3/2014	Sachtleben
				2014/0069281 A1	3/2014	Ryser et al.
				2014/0102310 A1	4/2014	Aardenburg et al.

* cited by examiner

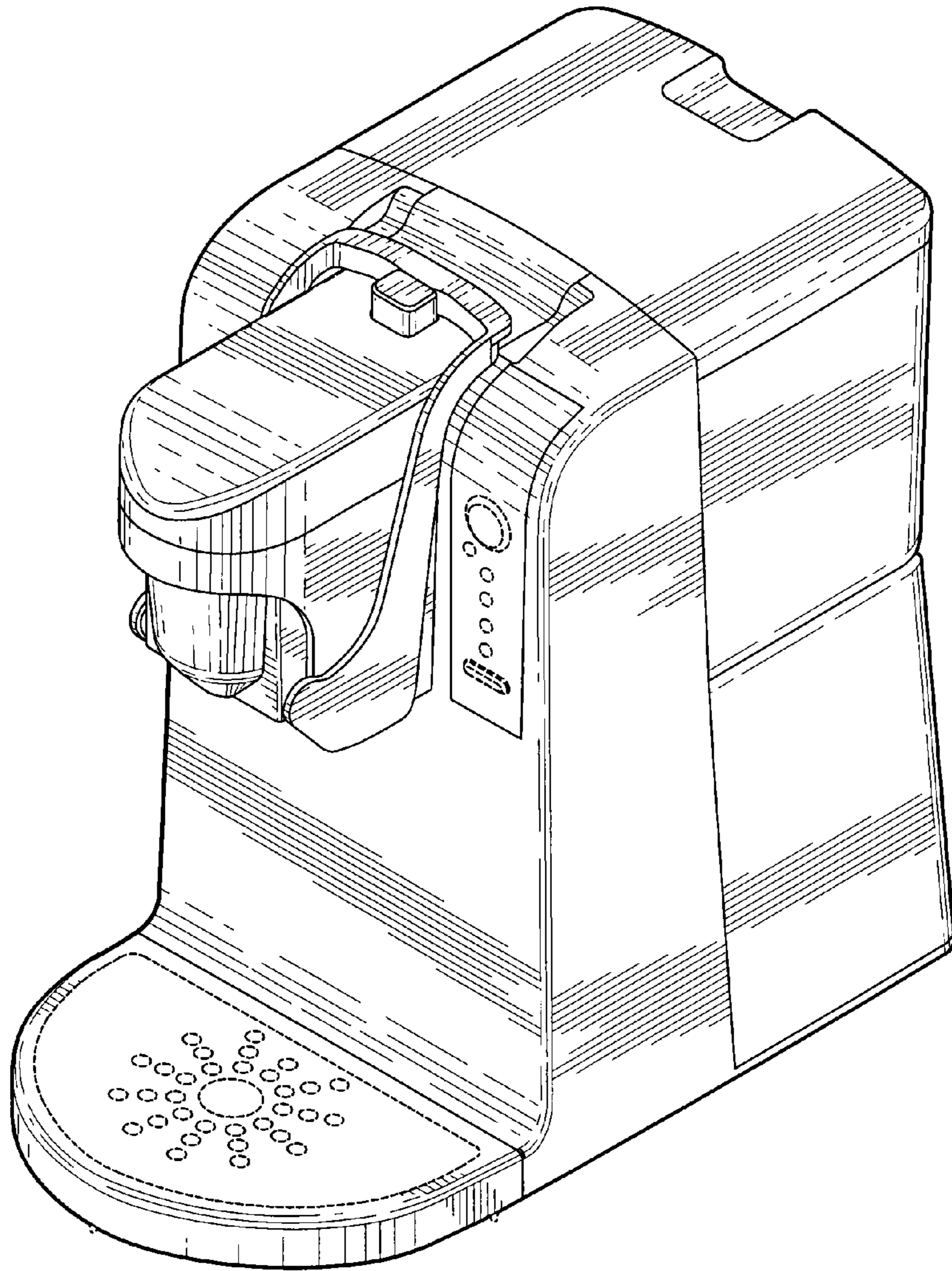


Fig. 1

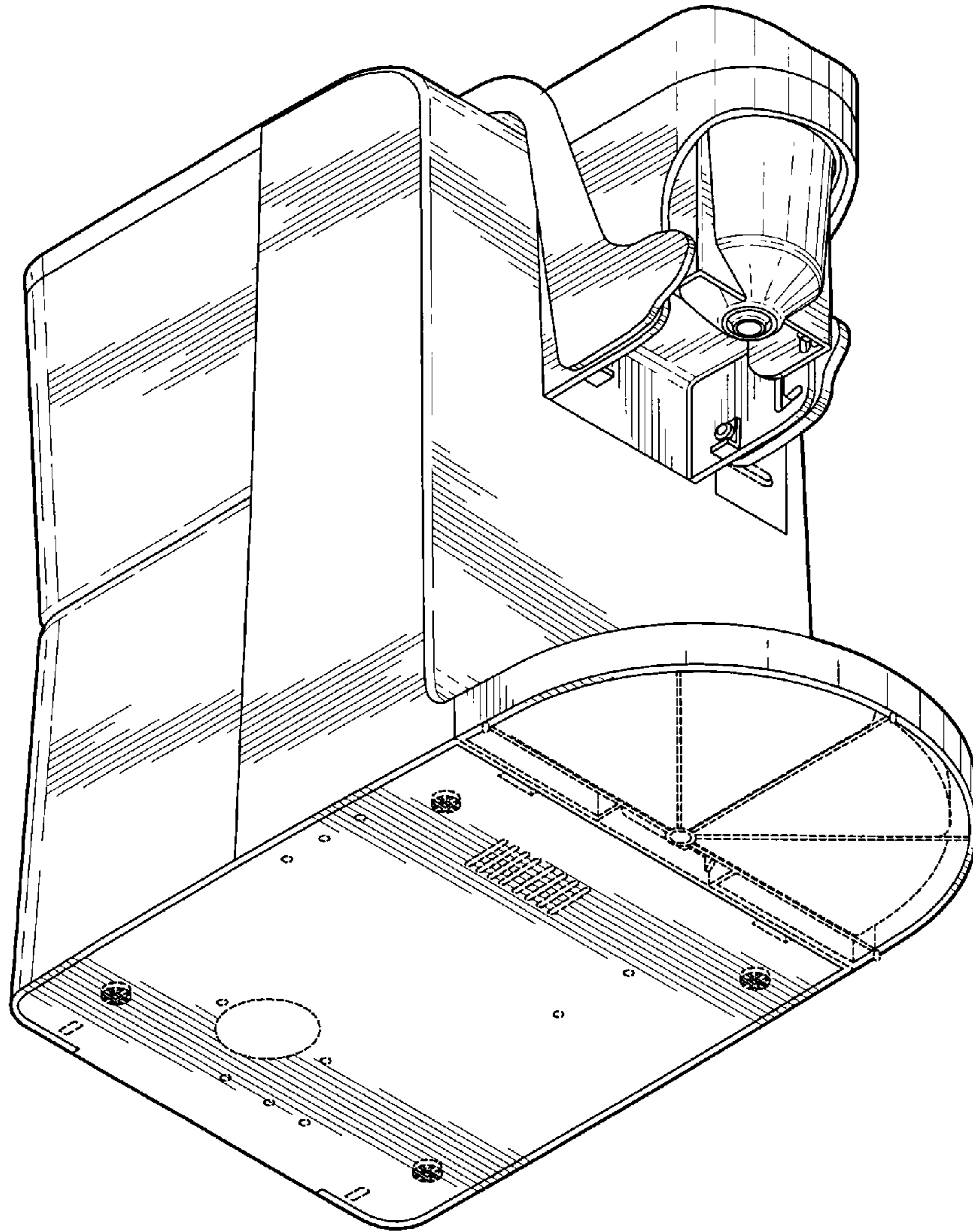


Fig. 2

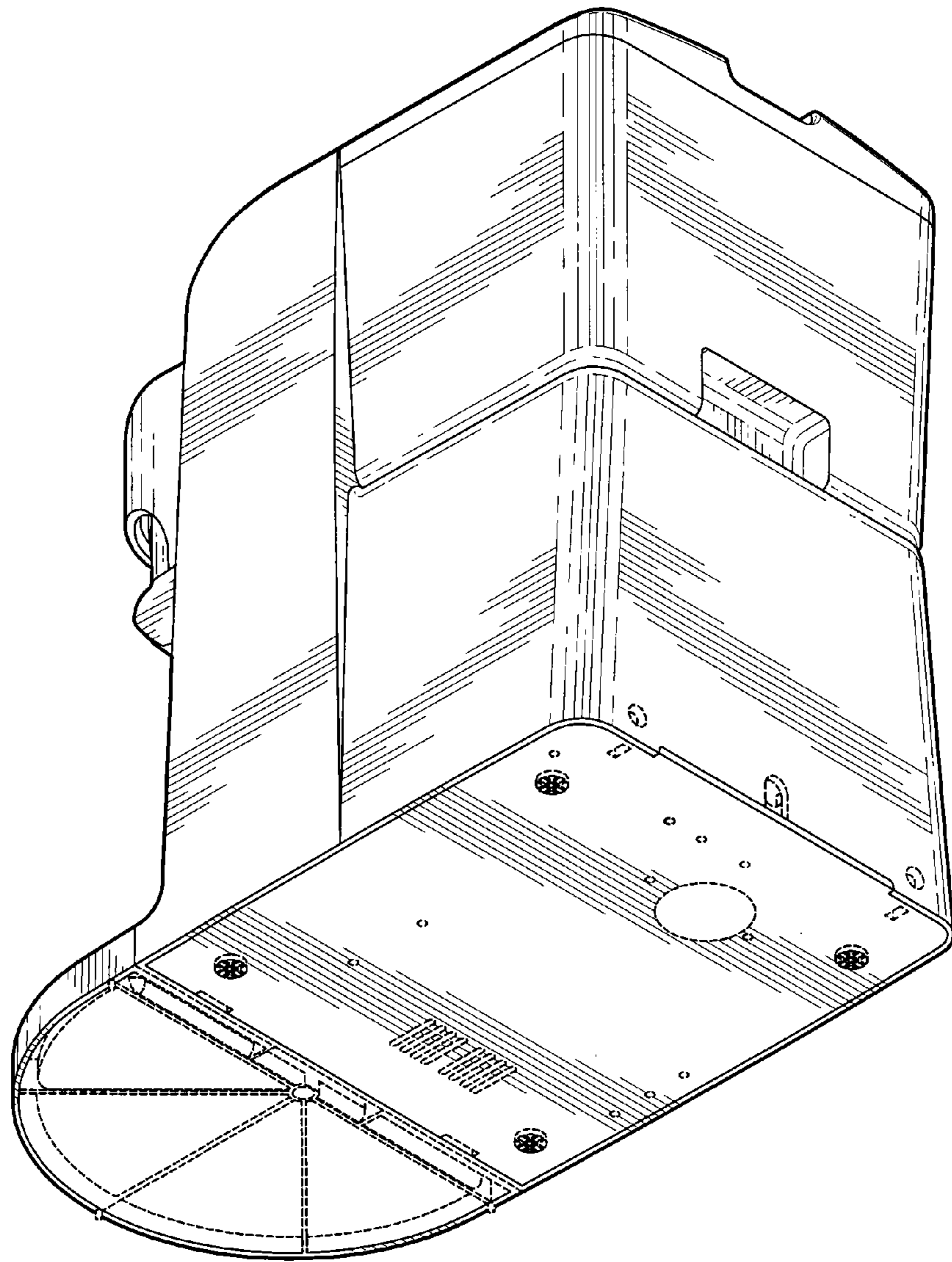


Fig. 3

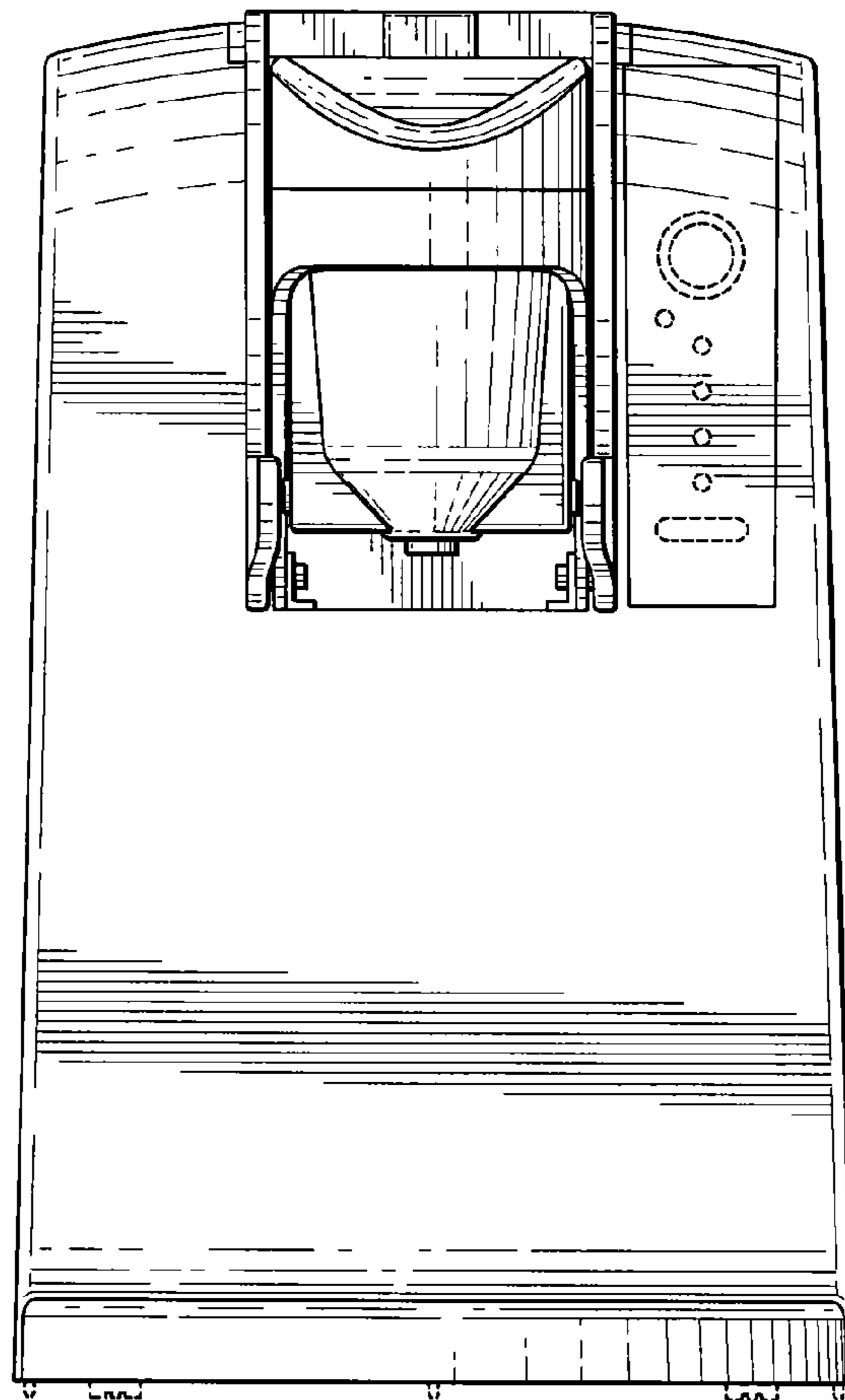


Fig. 4

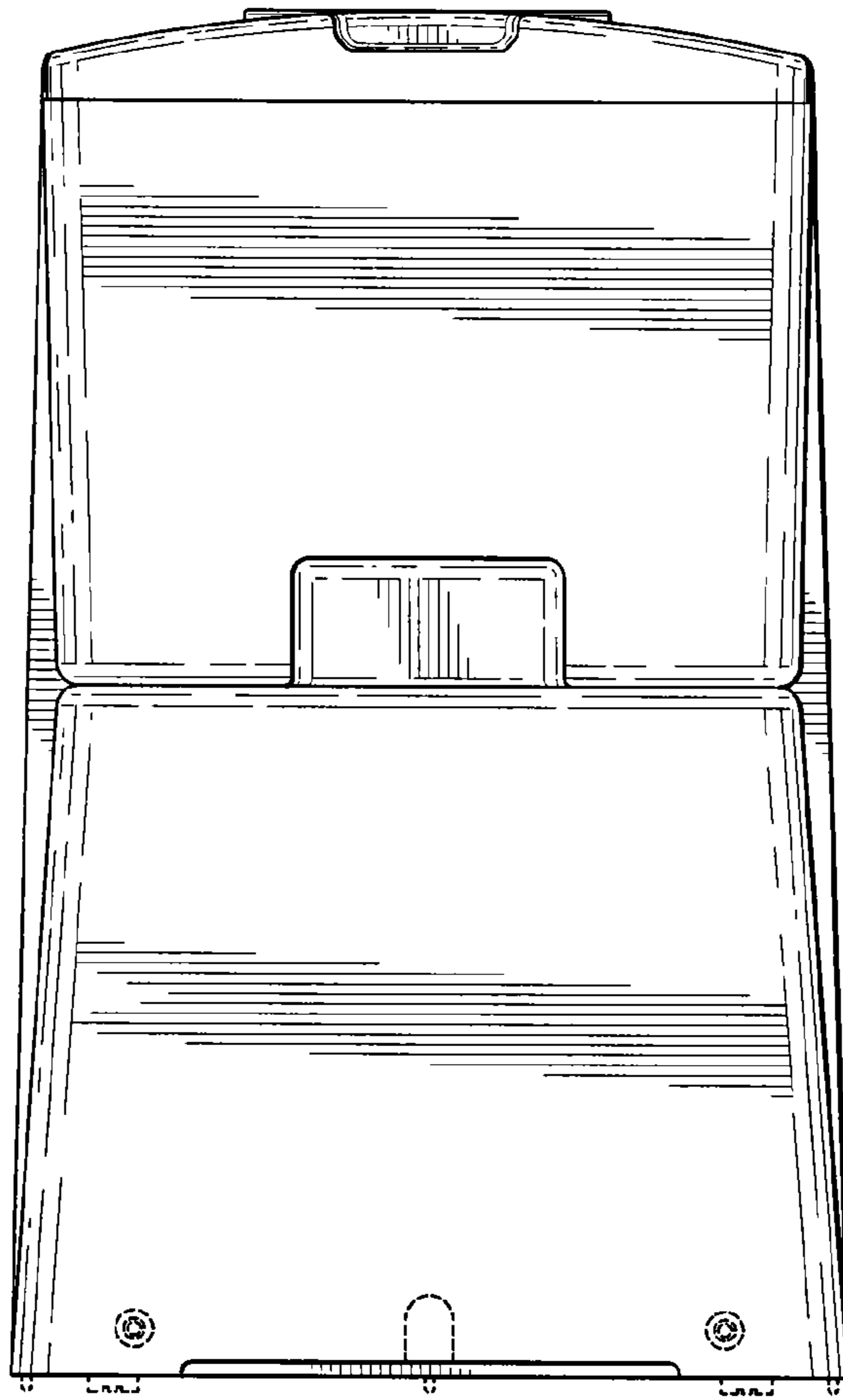


Fig. 5

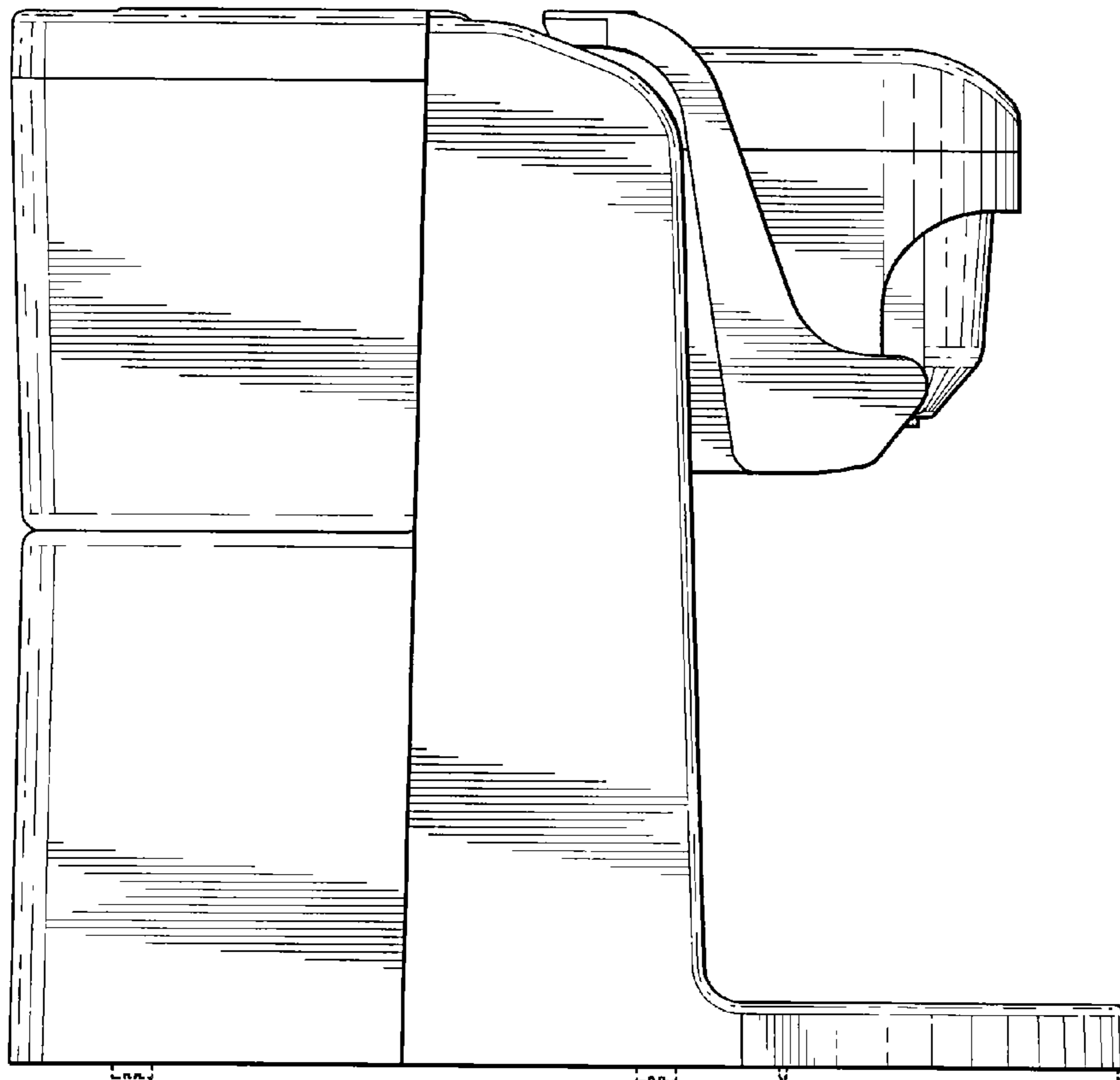


Fig. 6

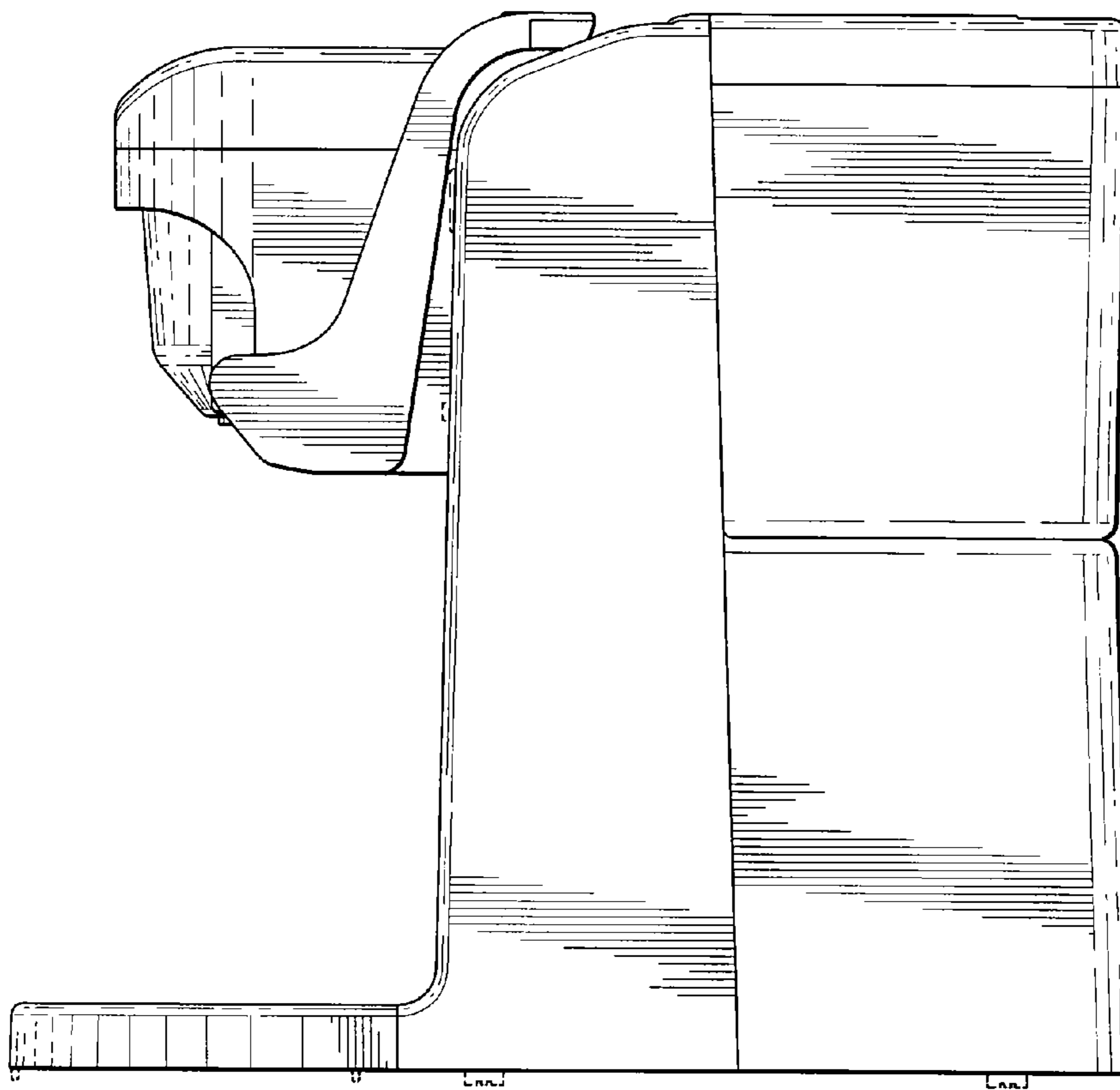


Fig. 7

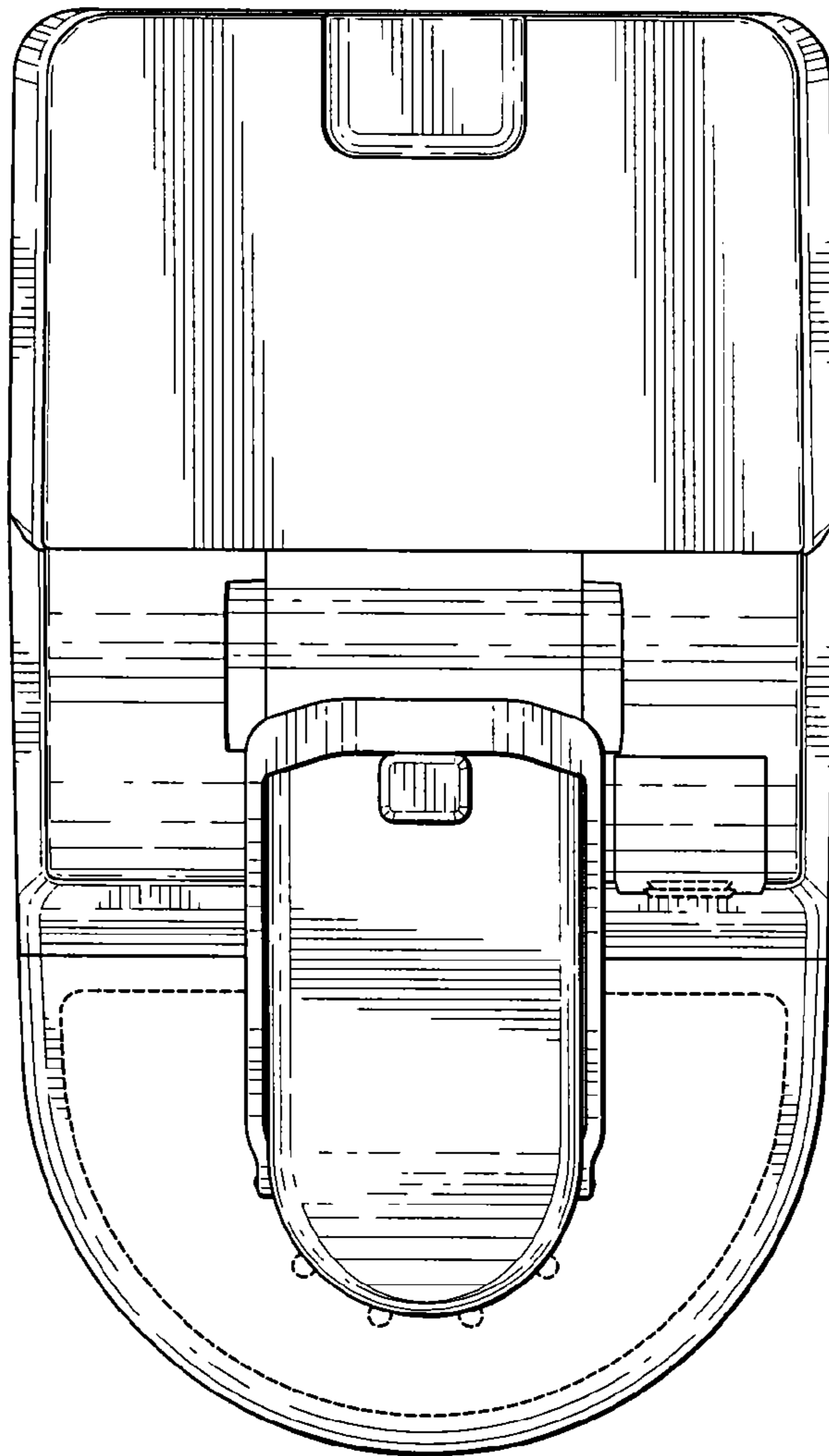


Fig. 8

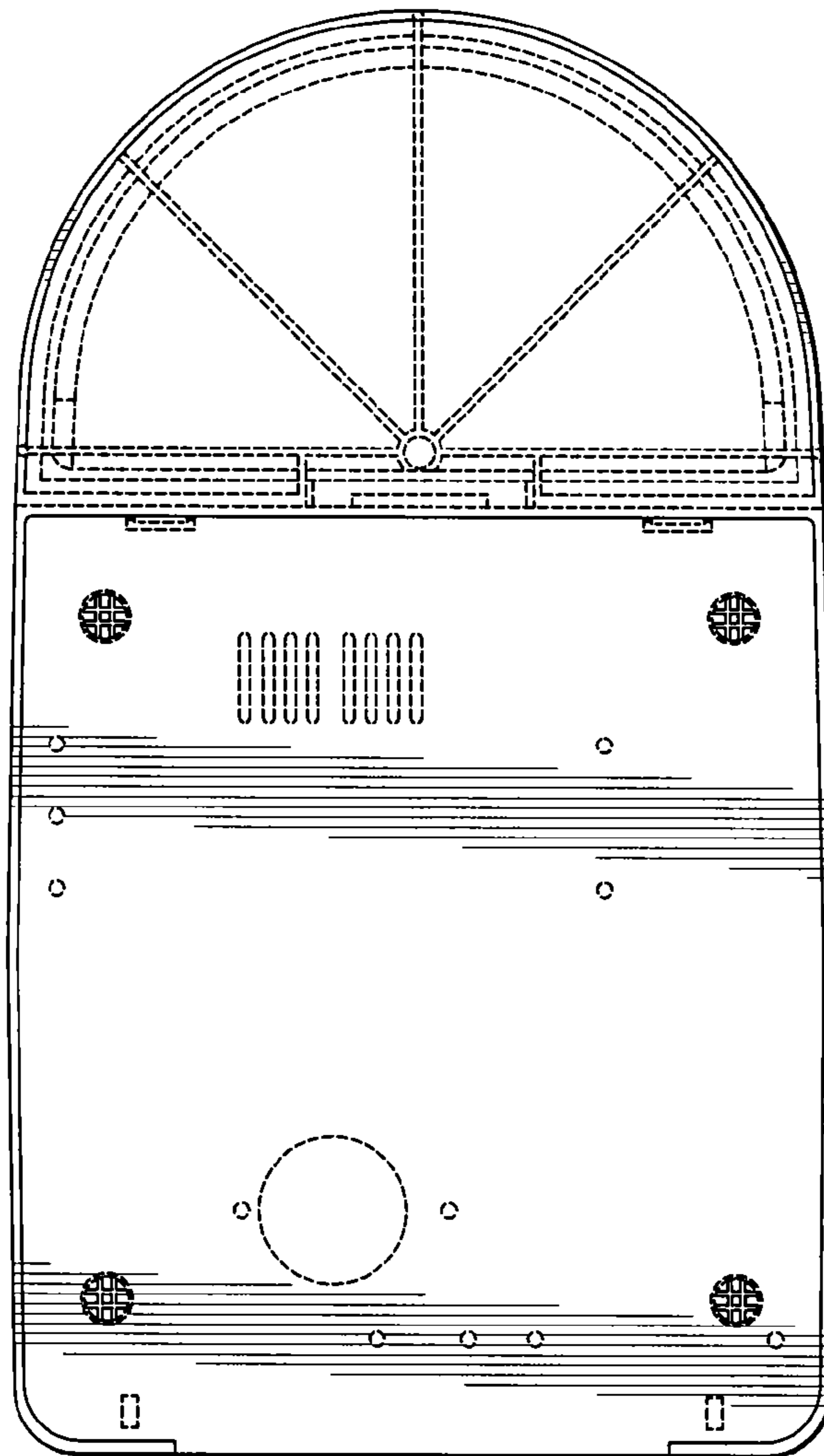


Fig. 9