



US00D760006S

(12) **United States Design Patent**  
**Lade**

(10) **Patent No.:** **US D760,006 S**  
(45) **Date of Patent:** **\*\* Jun. 28, 2016**

(54) **FRAME OF CHAIR**  
(71) Applicant: **Ekornes ASA**, Ikornnes (NO)  
(72) Inventor: **Jan Lade**, Straumgjerde (NO)  
(73) Assignee: **EKORNES ASA**, Ikornnes (NO)  
(\*\*) Term: **14 Years**

D364,283 S \* 11/1995 Zaidman ..... D6/365  
D459,599 S \* 7/2002 Zaidman ..... D6/365  
D467,746 S \* 12/2002 Zaidman ..... D6/365  
D467,747 S \* 12/2002 Zaidman ..... D6/365  
D468,119 S \* 1/2003 Zaidman ..... D6/365  
D468,120 S \* 1/2003 Zaidman ..... D6/365  
D555,376 S \* 11/2007 Lade ..... D6/365  
D557,046 S \* 12/2007 Lade ..... D6/708.16  
D560,083 S \* 1/2008 Lade ..... D6/708.16  
D601,359 S \* 10/2009 Wold ..... D6/365

\* cited by examiner

(21) Appl. No.: **29/523,933**  
(22) Filed: **Apr. 15, 2015**

*Primary Examiner* — Mimosa De  
(74) *Attorney, Agent, or Firm* — Thomas Schneck

(30) **Foreign Application Priority Data**  
Oct. 17, 2014 (NO) ..... 20140910  
(51) **LOC (10) Cl.** ..... **06-01**  
(52) **U.S. Cl.**  
USPC ..... **D6/716.3**  
(58) **Field of Classification Search**  
USPC ..... D6/334–336, 364, 365, 366, 367, 716,  
D6/716.1, 716.2, 716.3, 716.4, 708.16  
CPC ..... A47C 1/032; A47C 3/18; A47C 4/028;  
A47C 7/004; A47C 7/022; A47C 7/18;  
A47C 7/24  
See application file for complete search history.

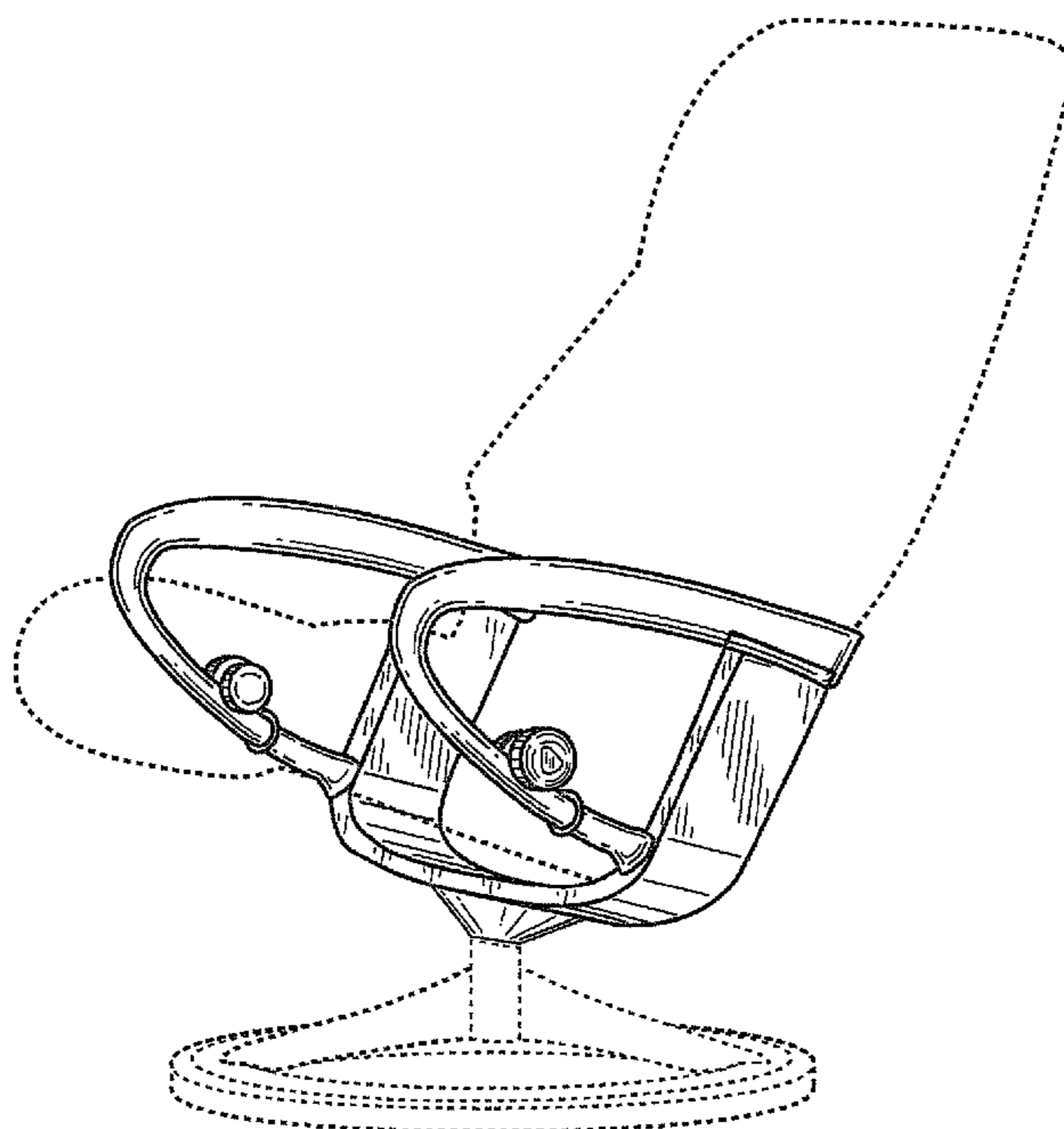
(57) **CLAIM**  
I claim the ornamental design for a frame of chair, as shown and described.

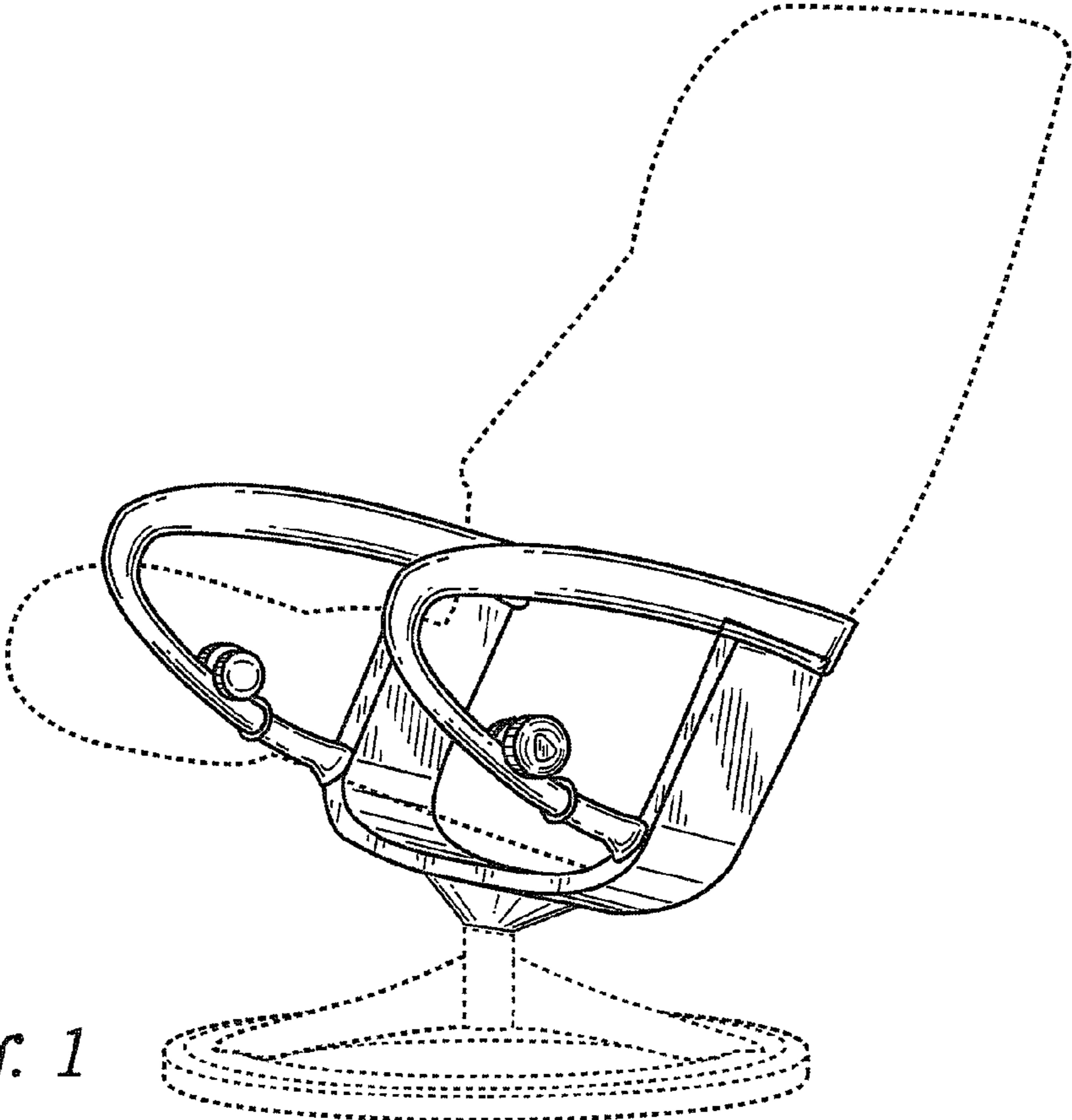
(56) **References Cited**  
**U.S. PATENT DOCUMENTS**  
D286,105 S \* 10/1986 Goldman ..... D6/365  
D316,936 S \* 5/1991 Ekornes ..... D6/365

**DESCRIPTION**

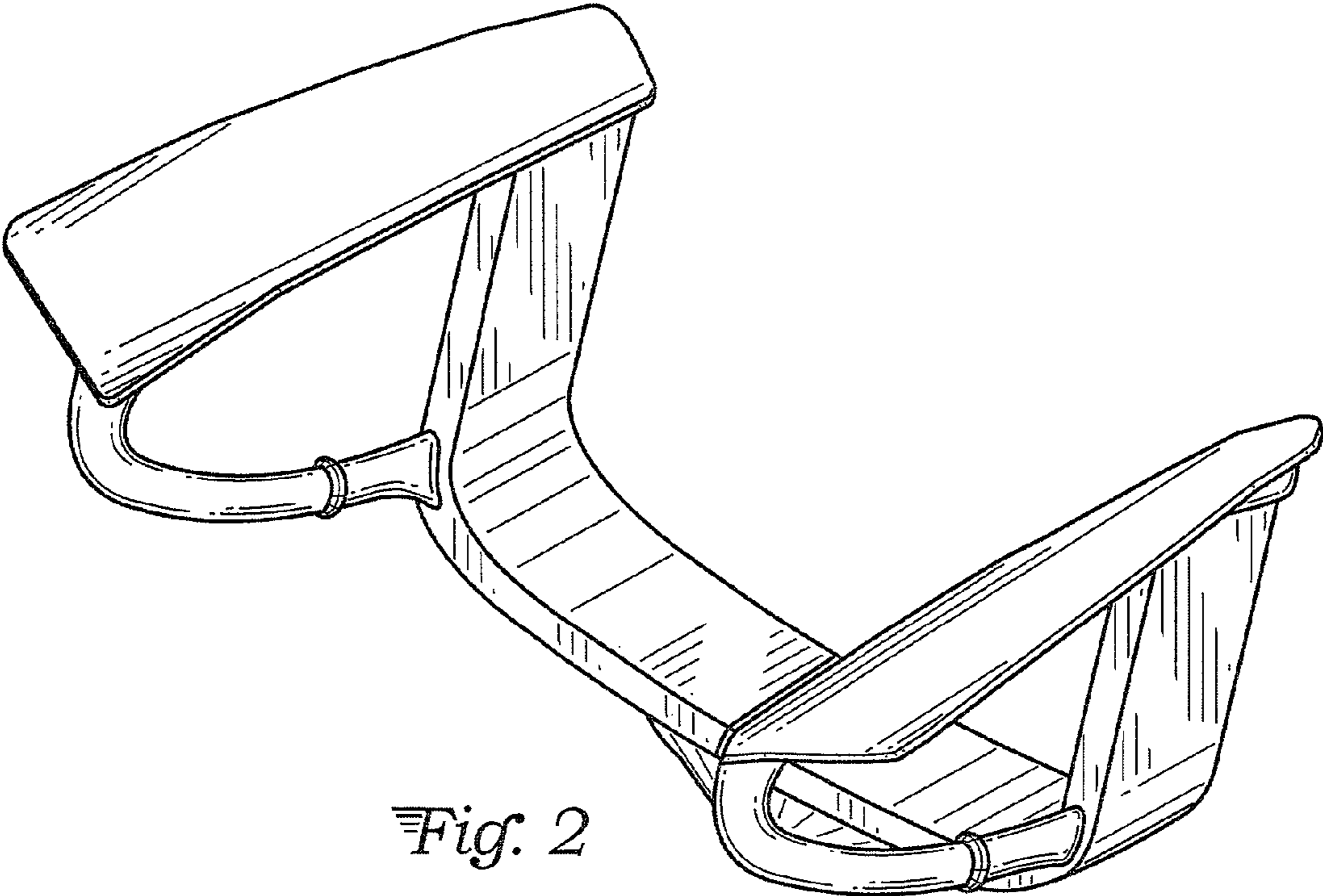
FIG. 1 is a perspective view of a frame of a chair of my design having broken lines wherein the claimed design is embodied and no part of the claimed design;  
FIG. 2 is a perspective view of a frame of a chair shown without the circular knobs and without broken lines;  
FIG. 3 is a front view thereof;  
FIG. 4 is a back view thereof;  
FIG. 5 is a right side view thereof;  
FIG. 6 is a left side view thereof;  
FIG. 7 is a top view thereof; and,  
FIG. 8 is a bottom view thereof.

**1 Claim, 4 Drawing Sheets**

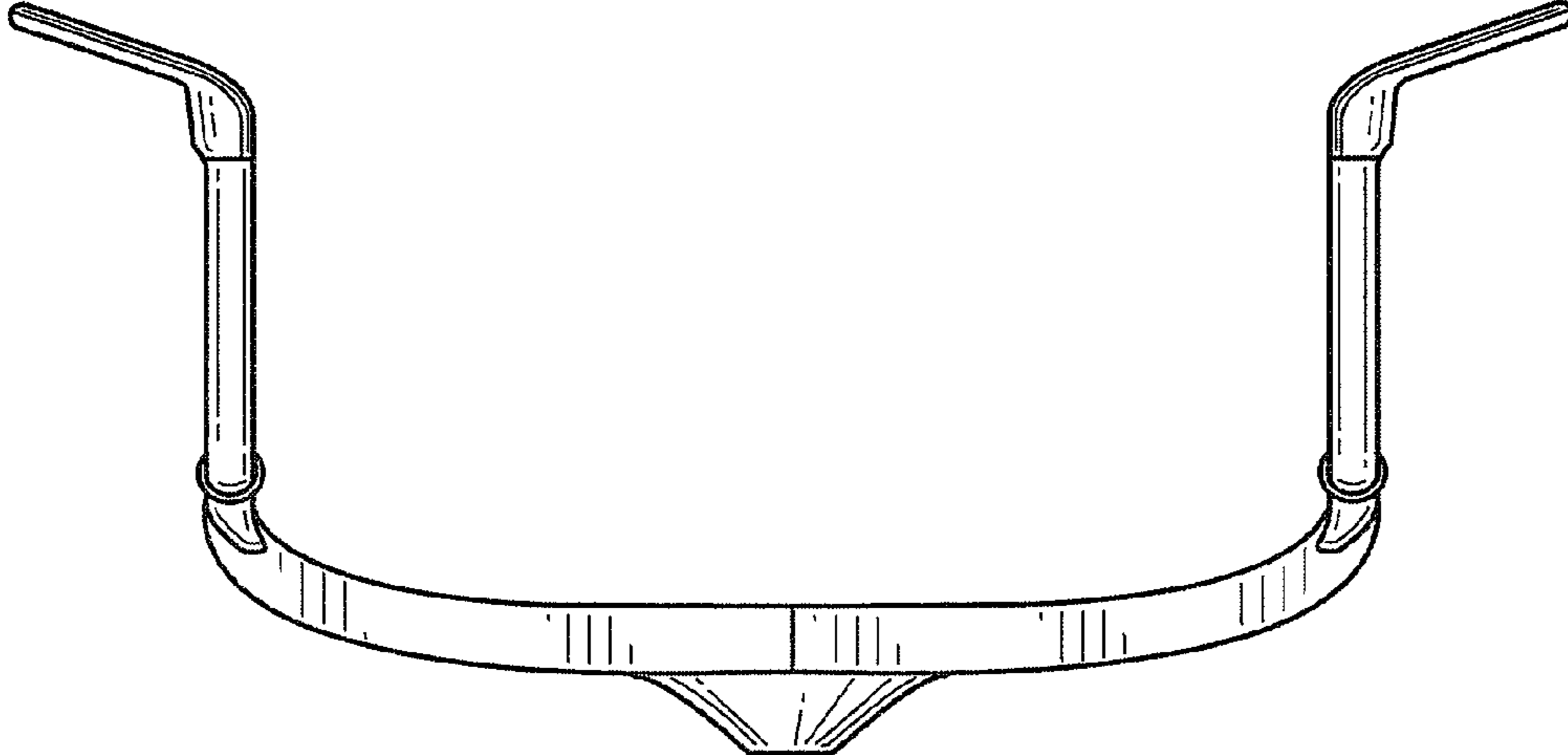




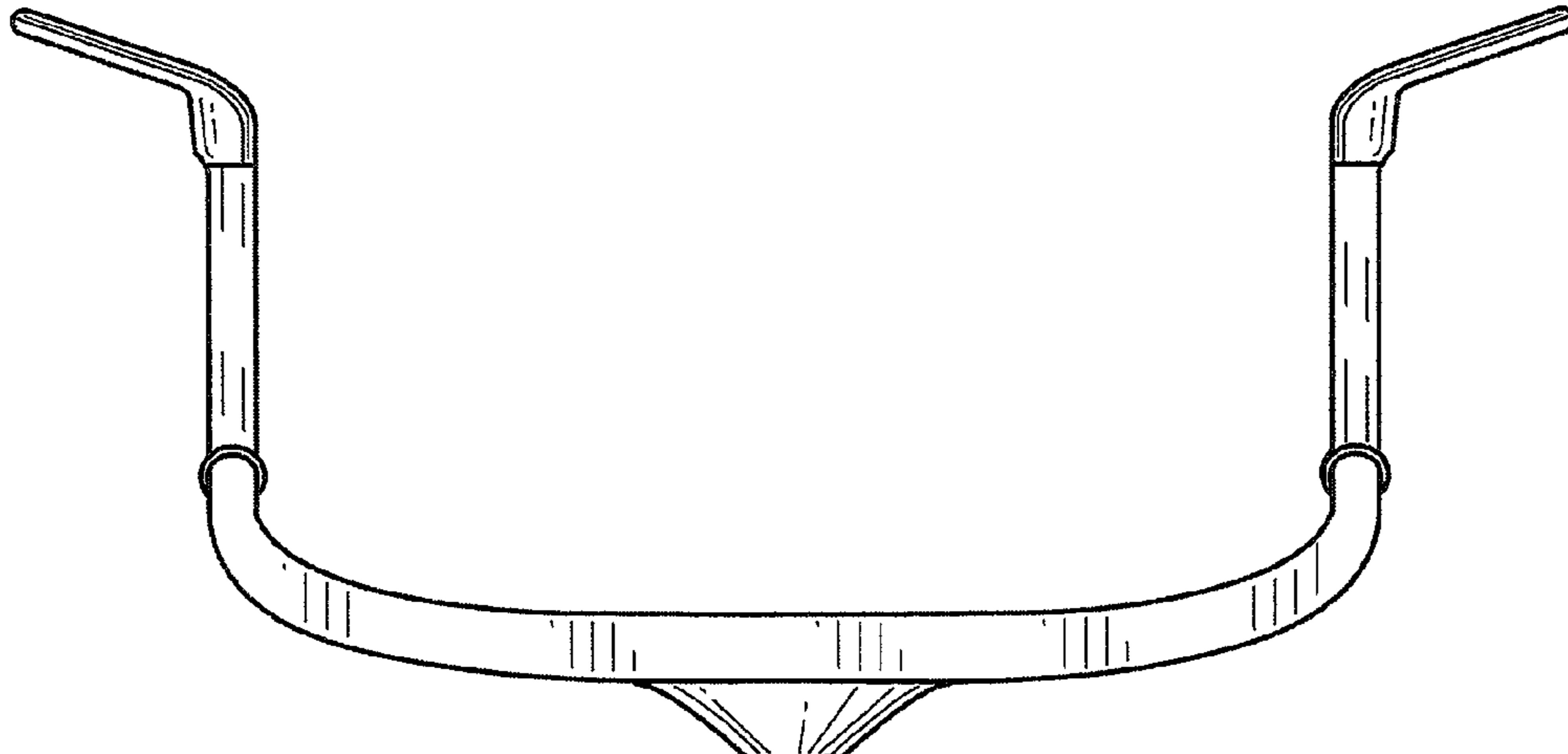
*Fig. 1*



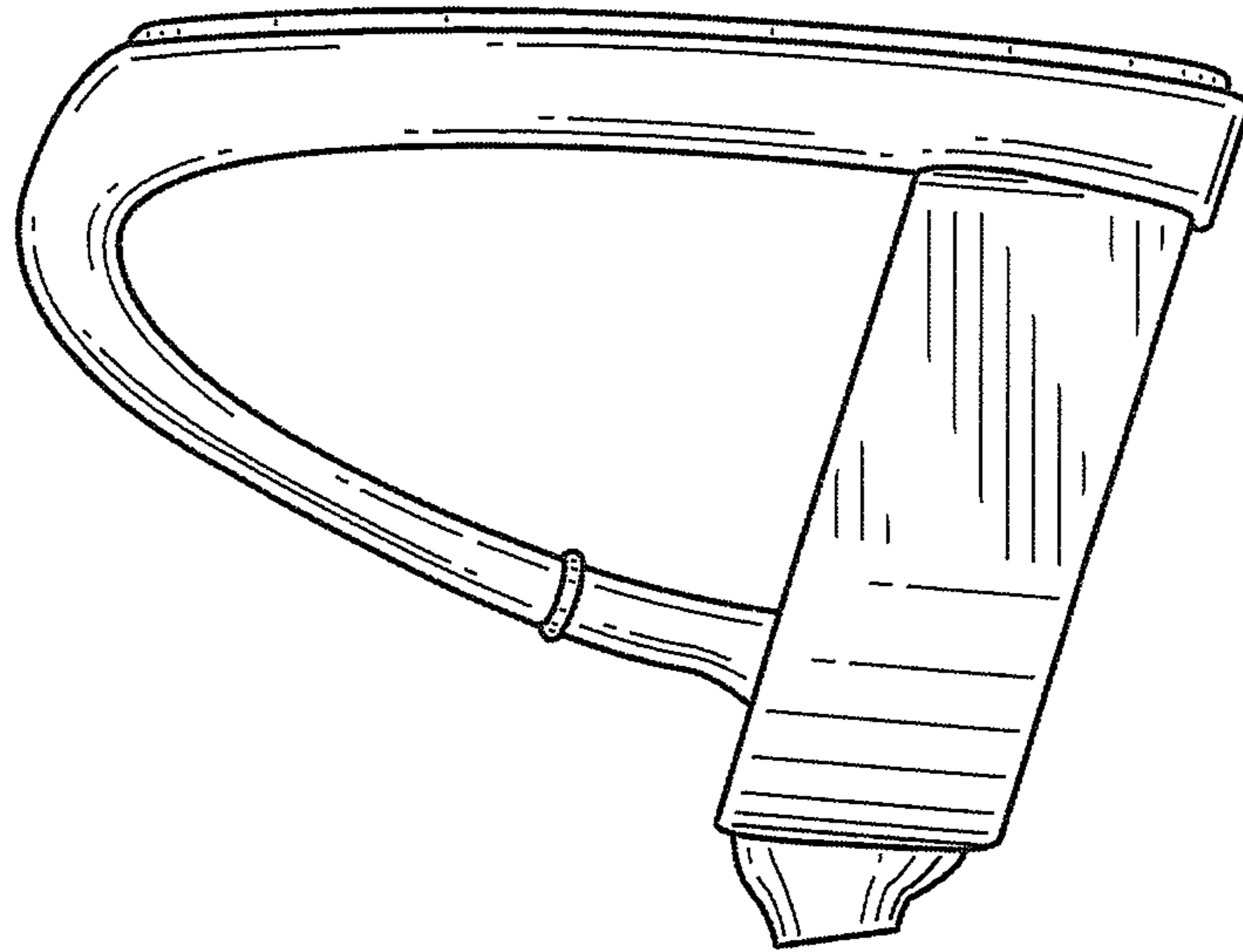
*Fig. 2*



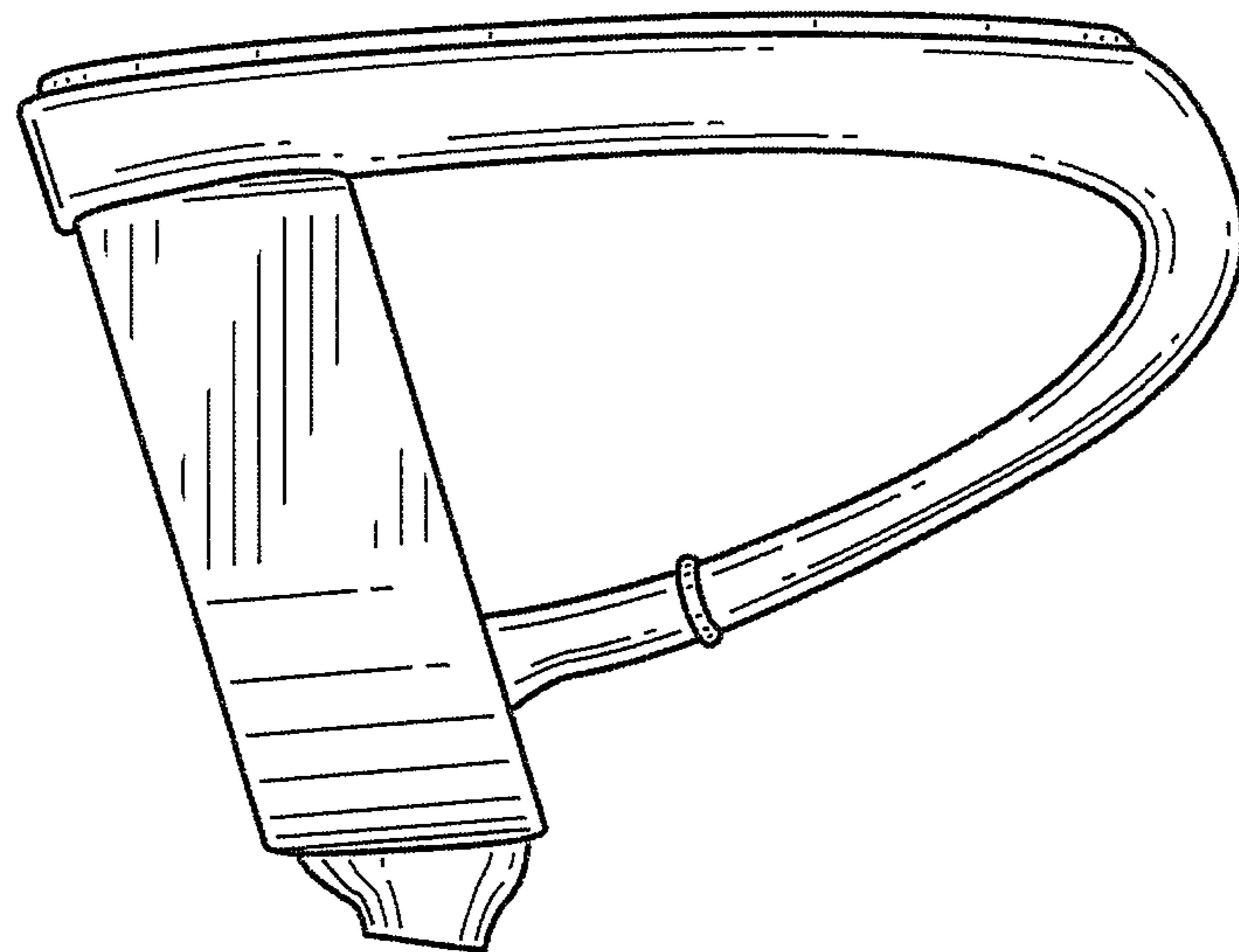
*Fig. 3*



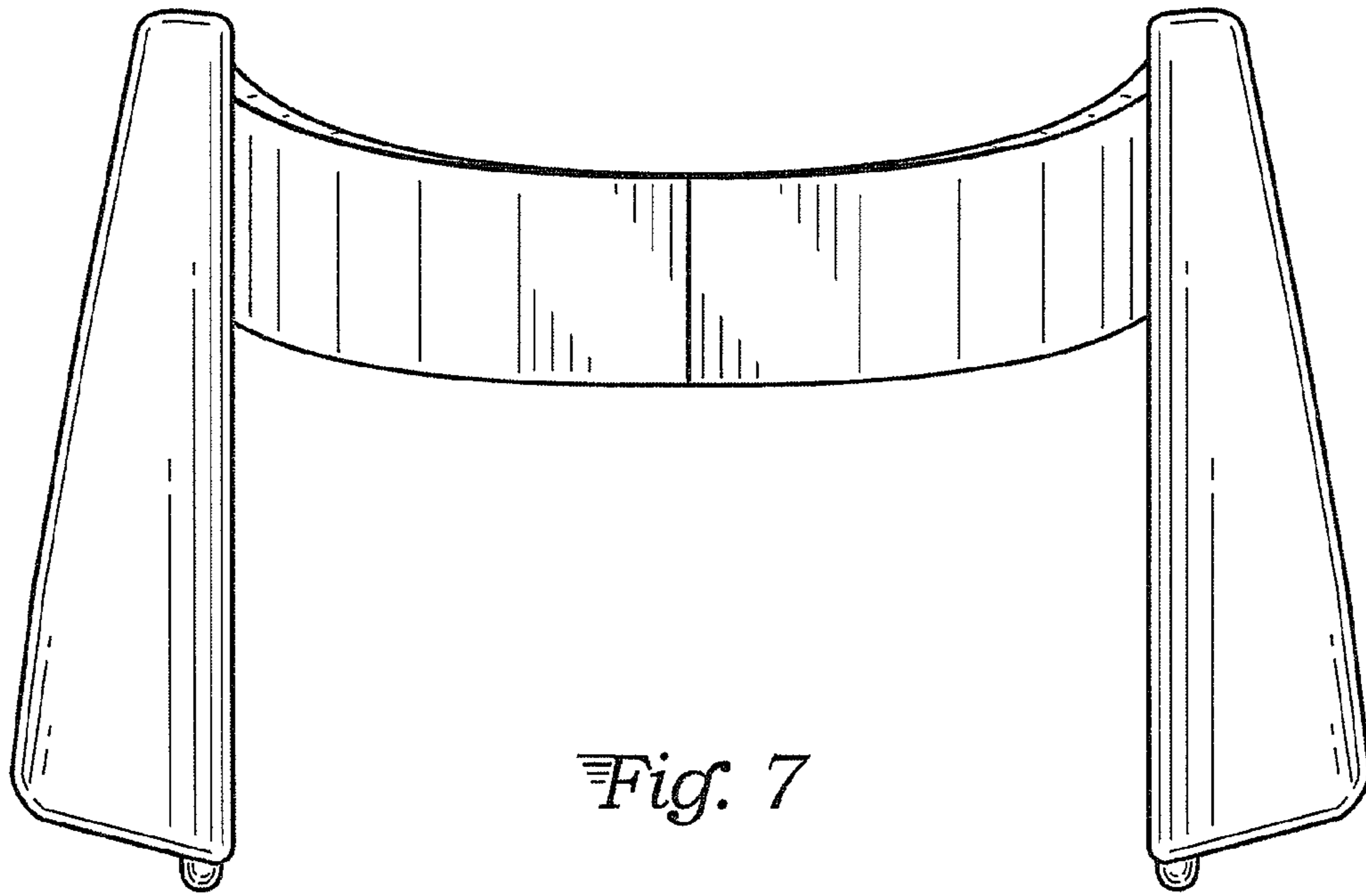
*Fig. 4*



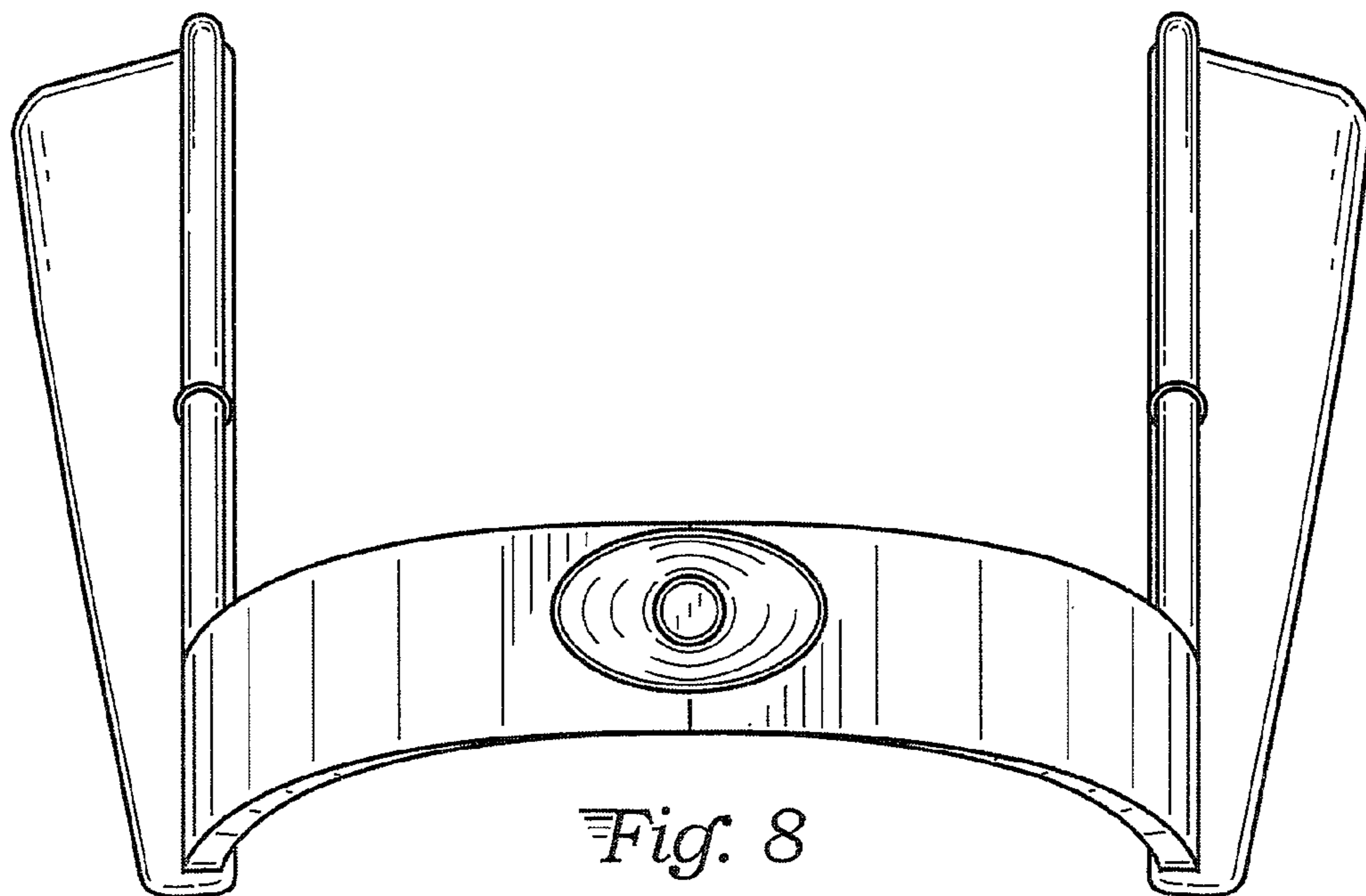
*Fig. 5*



*Fig. 6*



*Fig. 7*



*Fig. 8*