



US00D760004S

(12) **United States Design Patent**  
**Lievore et al.**

(10) **Patent No.:** **US D760,004 S**  
(45) **Date of Patent:** **\*\* Jun. 28, 2016**

(54) **PART OF CHAIR**

(56) **References Cited**

- (71) Applicant: **ARPER S.p.A.**, Monastier di Treviso  
(Treviso) (IT)
- (72) Inventors: **Alberto Lievore**, Monastier di Treviso  
(IT); **Jeannette Altherr**, Monastier di  
Treviso (IT); **Manel Molina**, Monastier  
di Treviso (IT)
- (73) Assignee: **ARPER S.p.A.**, Treviso (IT)
- (\*\*) Term: **14 Years**
- (21) Appl. No.: **29/523,930**
- (22) Filed: **Apr. 15, 2015**
- (30) **Foreign Application Priority Data**

U.S. PATENT DOCUMENTS

D233,638 S *	11/1974	Offredi .....	D6/366
D297,600 S *	9/1988	Wilson .....	D6/366
D337,442 S *	7/1993	Baker .....	D6/366
D423,261 S *	4/2000	Ritch .....	D6/366
D607,672 S *	1/2010	Kubryk .....	D6/366
D623,447 S *	9/2010	Kubryk .....	D6/716
D649,796 S *	12/2011	Lievore .....	D6/366
D657,151 S *	4/2012	Lievore .....	D6/366
D683,979 S *	6/2013	Miller .....	D6/366
D734,632 S *	7/2015	Hara .....	D6/366
D738,658 S *	9/2015	Bellin .....	D6/716

\* cited by examiner

*Primary Examiner* — Mimosa De

(74) *Attorney, Agent, or Firm* — Thomas | Horstemeyer,  
LLP

(57) **CLAIM**

The ornamental design for a part of chair, as shown and described.

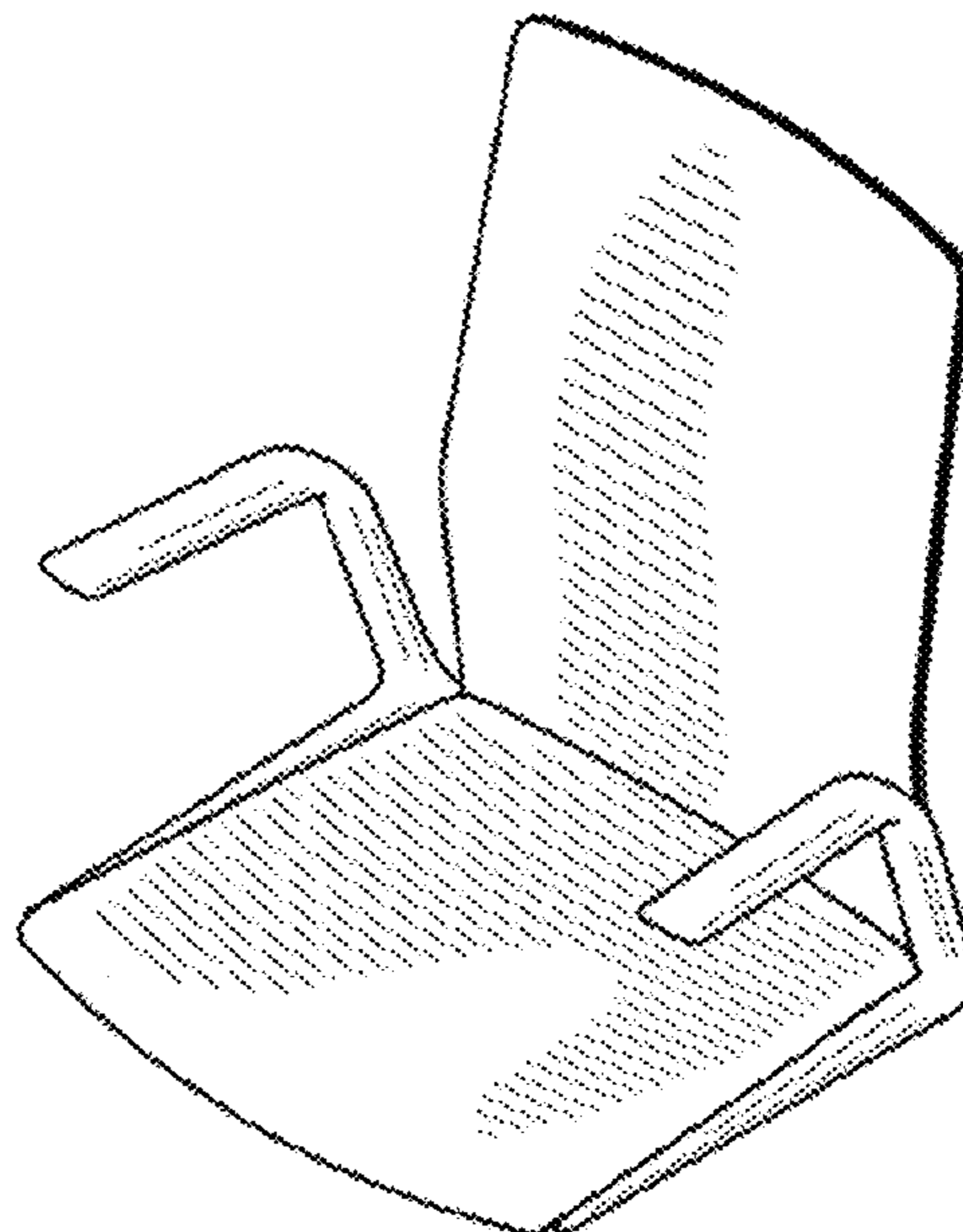
**DESCRIPTION**

FIG. 1 is a front perspective view of my new part of chair;  
 FIG. 2 is a perspective view of my new part of chair from a  
 back opposite that of FIG. 1;  
 FIG. 3 is a front elevational view of my new part of chair of  
 FIG. 1;  
 FIG. 4 is a rear elevational view of my new part of chair,  
 opposite that of FIG. 3;  
 FIG. 5 is a side elevational view of my new part of chair of  
 FIG. 1;  
 FIG. 6 is a side elevational view of my new part of chair from  
 a side opposite that of FIG. 5;  
 FIG. 7 is a top view of my new part of chair; and,  
 FIG. 8 is a bottom view of my new part of chair.

- Oct. 17, 2014 (WO) ..... 846242301
- (51) **LOC (10) Cl.** ..... **06-01**
- (52) **U.S. Cl.**  
USPC ..... **D6/716**
- (58) **Field of Classification Search**  
USPC ..... D6/334-336, 364, 365, 366, 374, 375,  
D6/379, 380, 716, 716.1, 716.2, 716.4  
CPC ..... A47C 7/16; A47C 7/54; A47C 7/022;  
A47C 7/40; A47C 7/18; A47C 7/22; A47C  
7/24

See application file for complete search history.

**1 Claim, 8 Drawing Sheets**



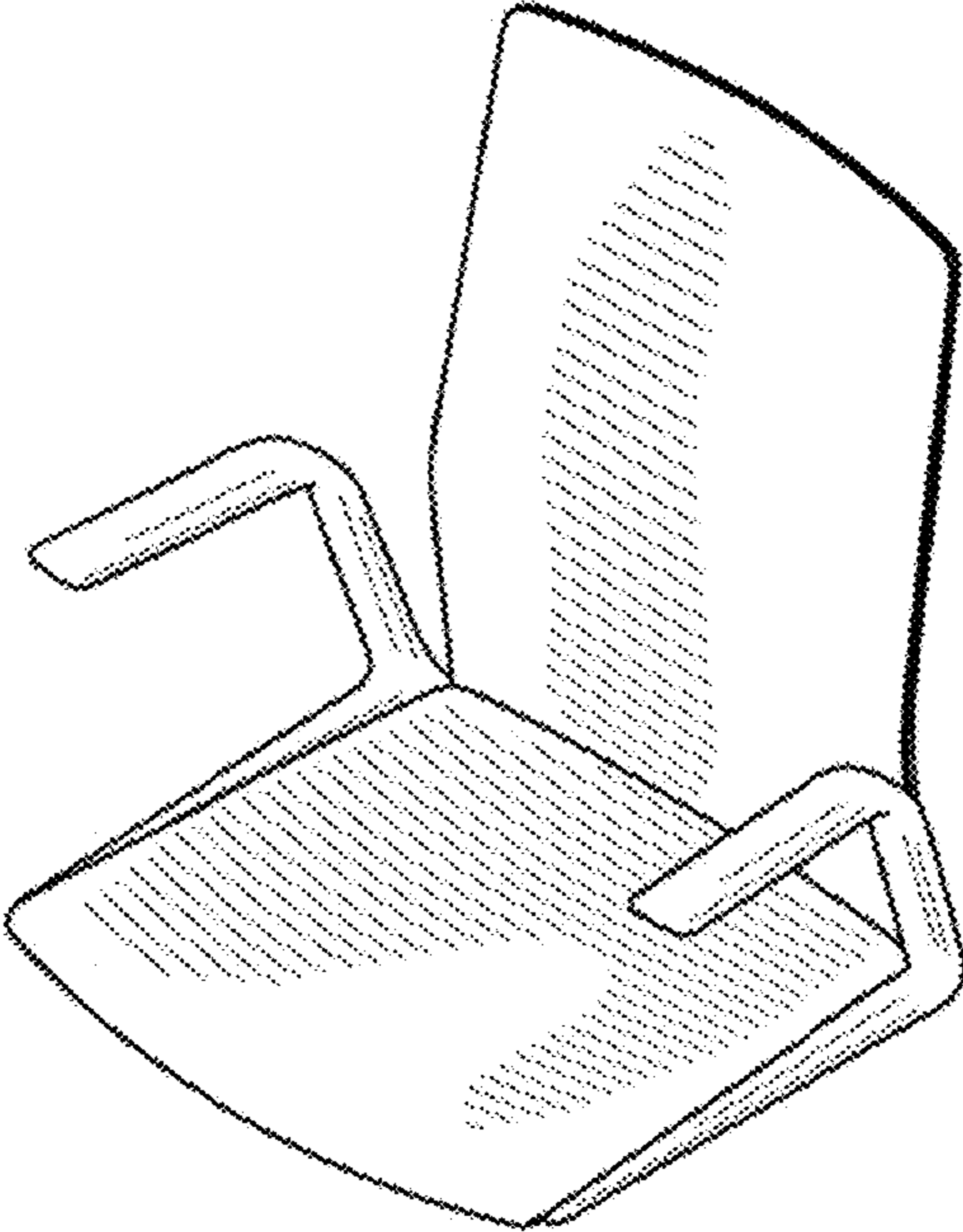


FIG. 1

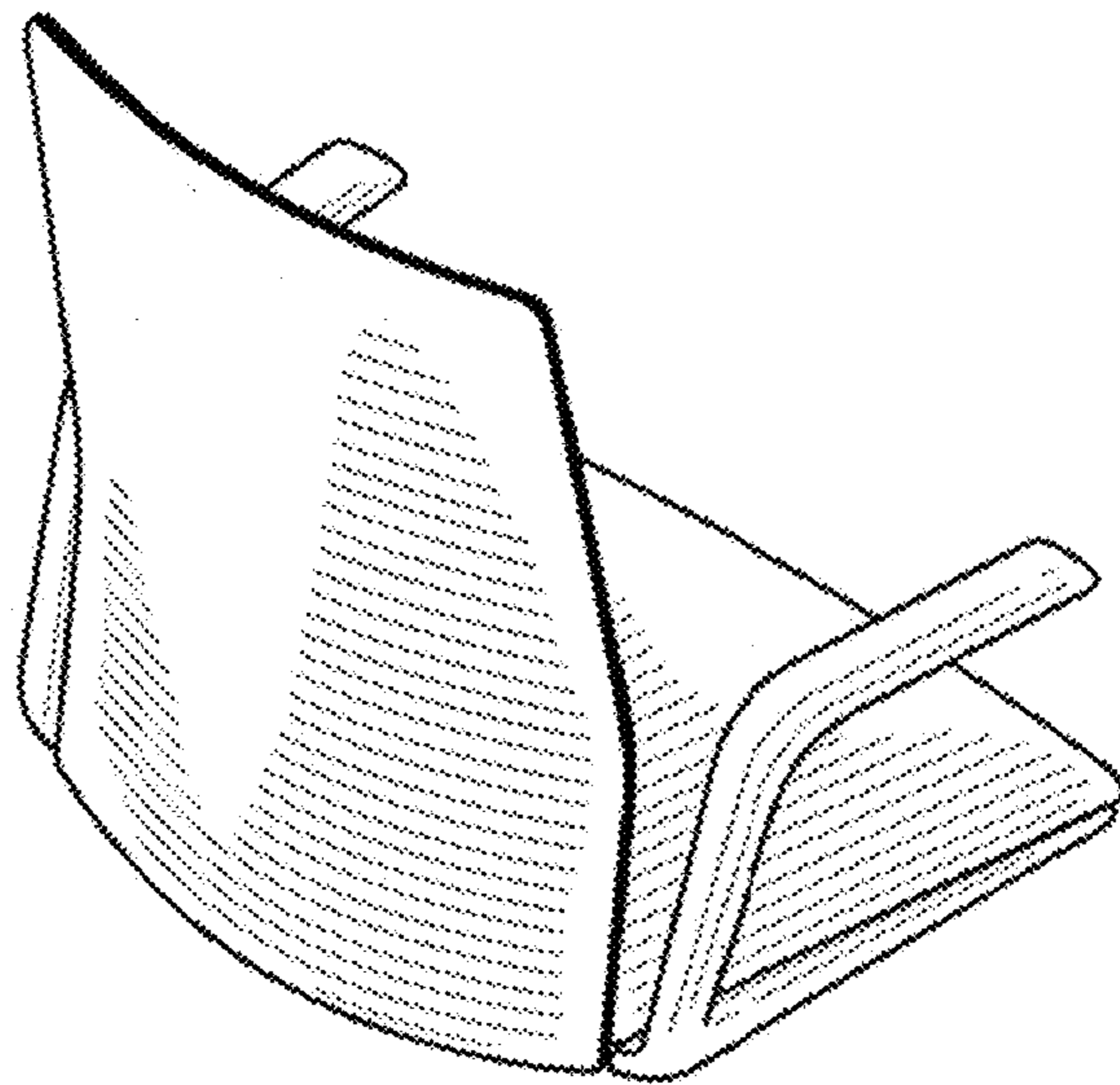


FIG. 2

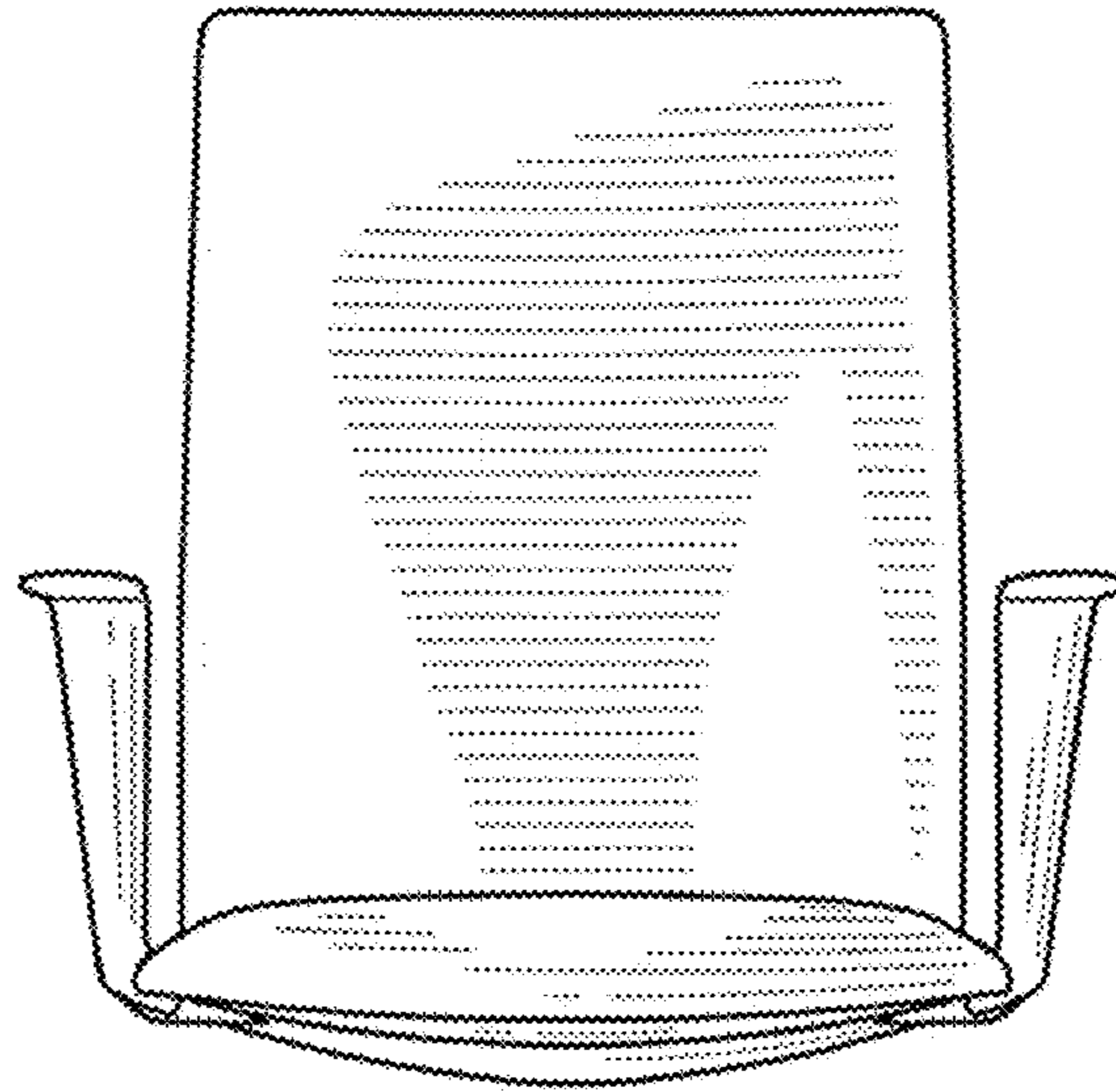


FIG. 3

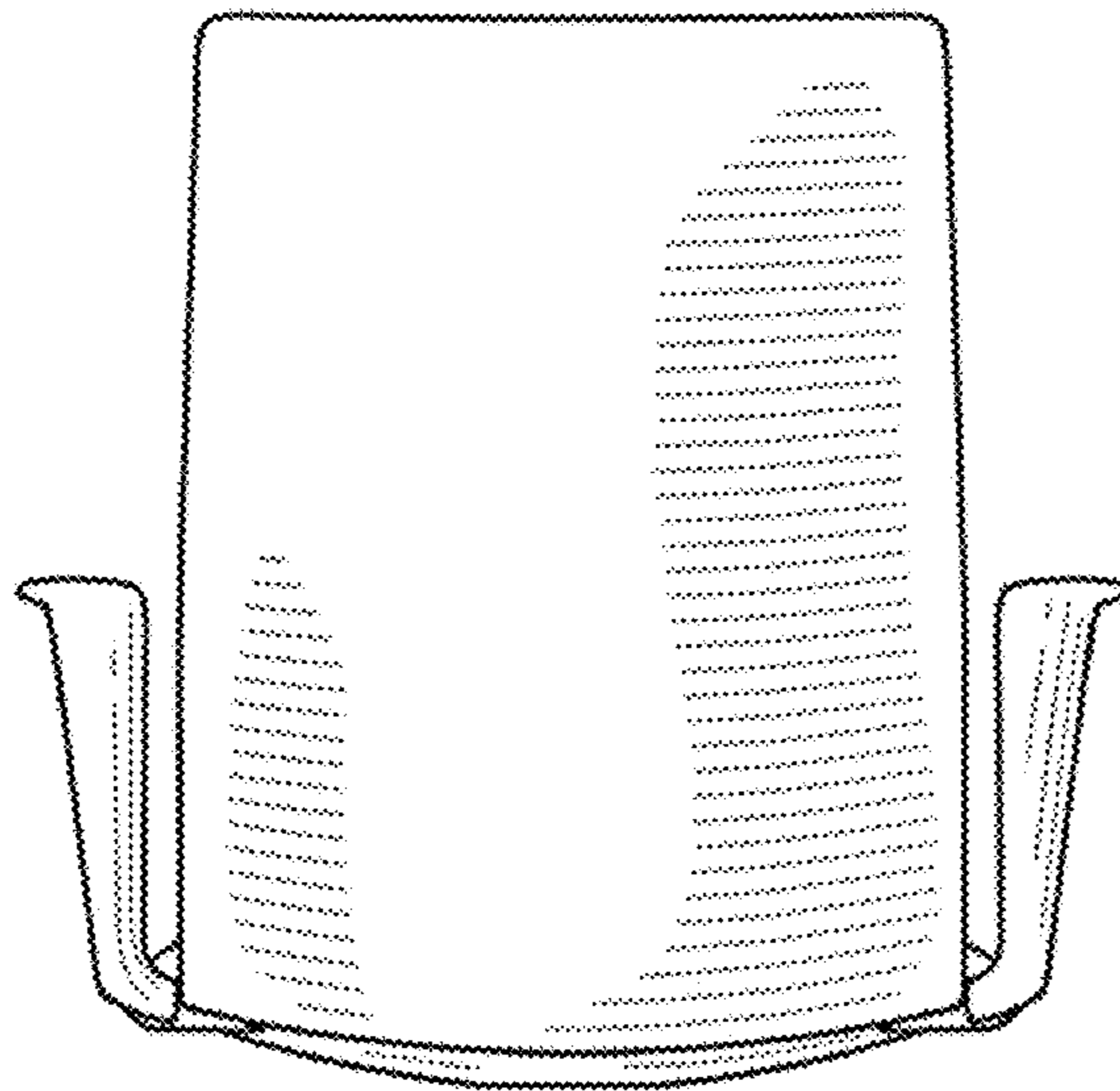


FIG. 4

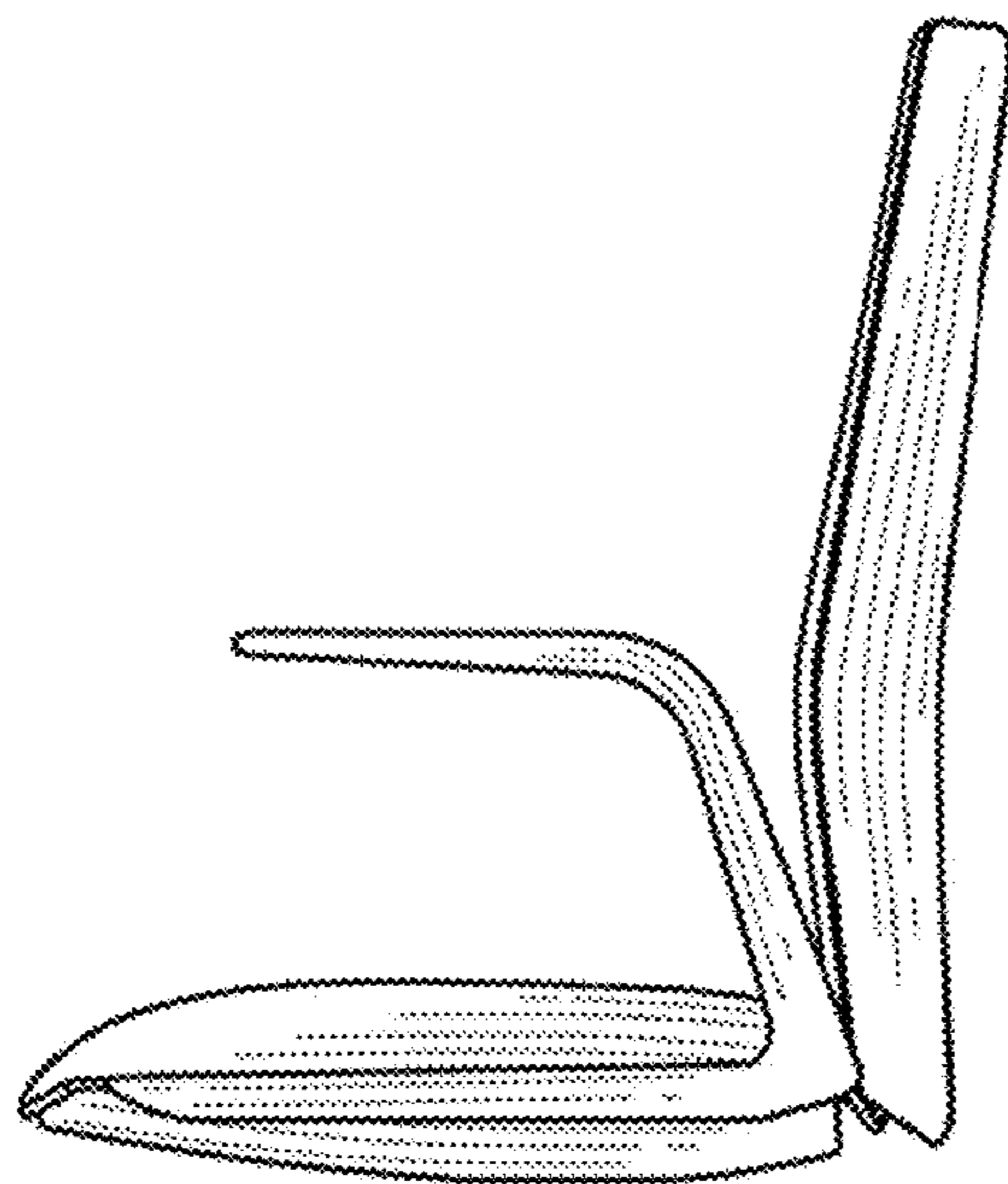


FIG. 5

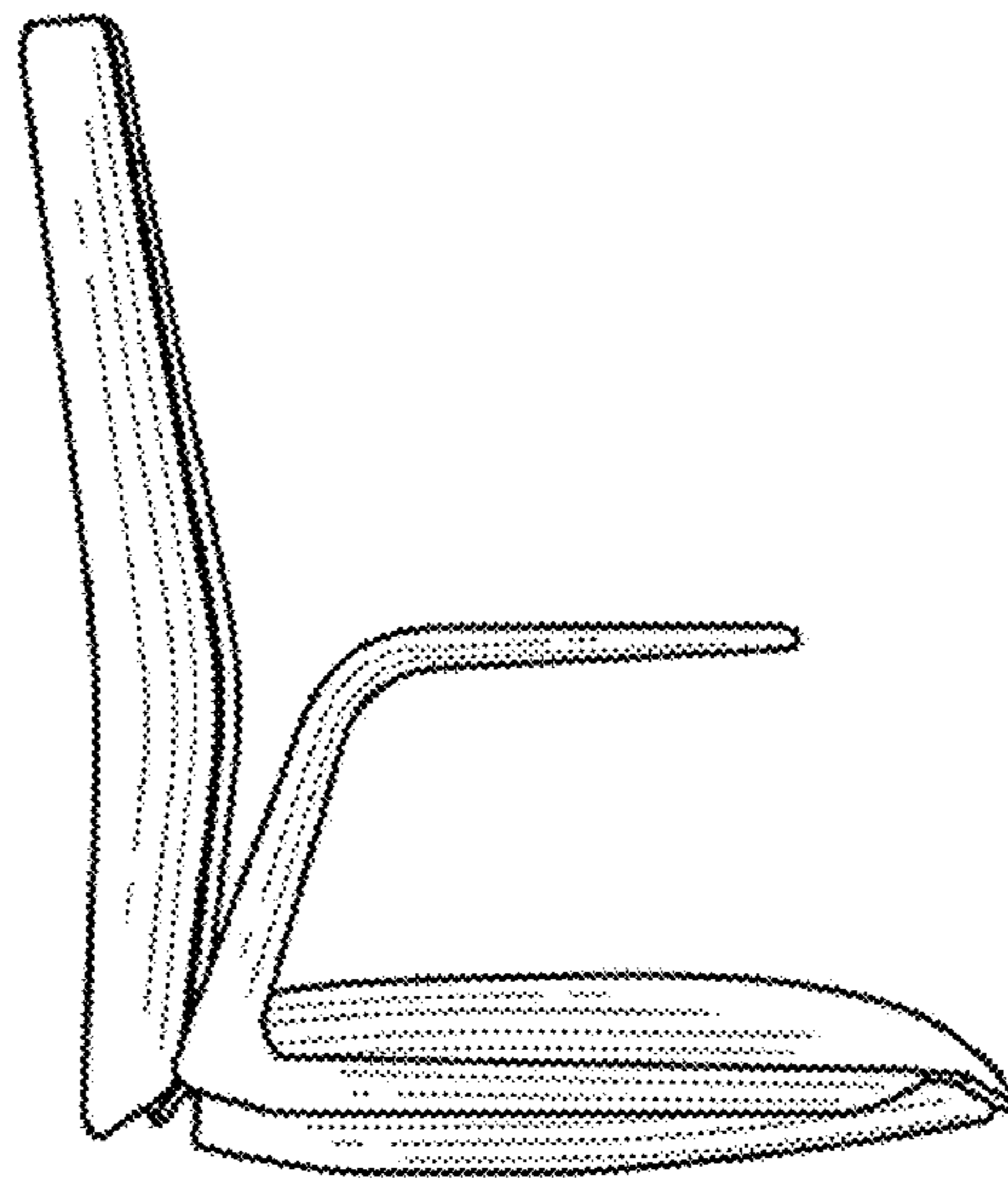


FIG. 6

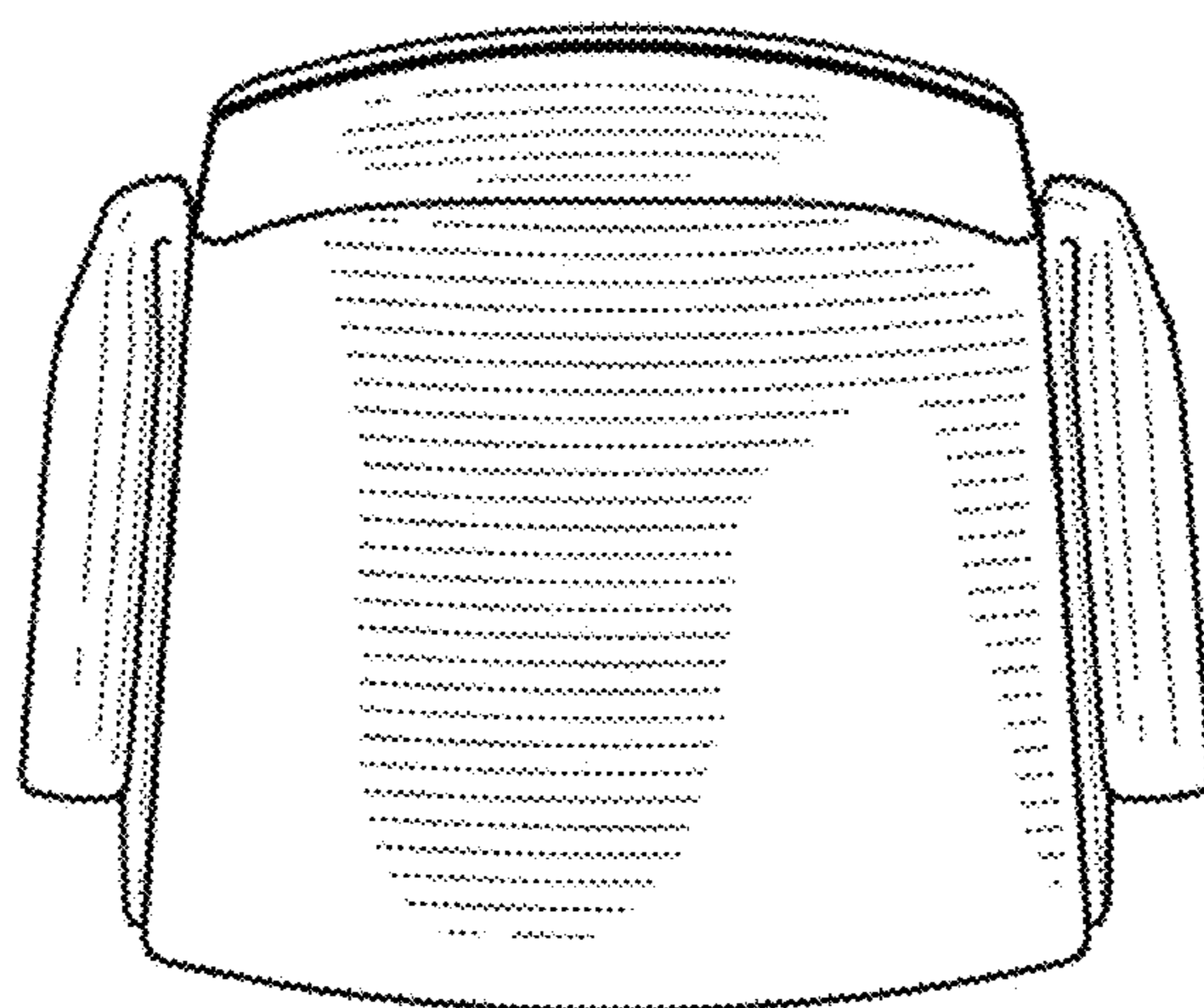


FIG. 7



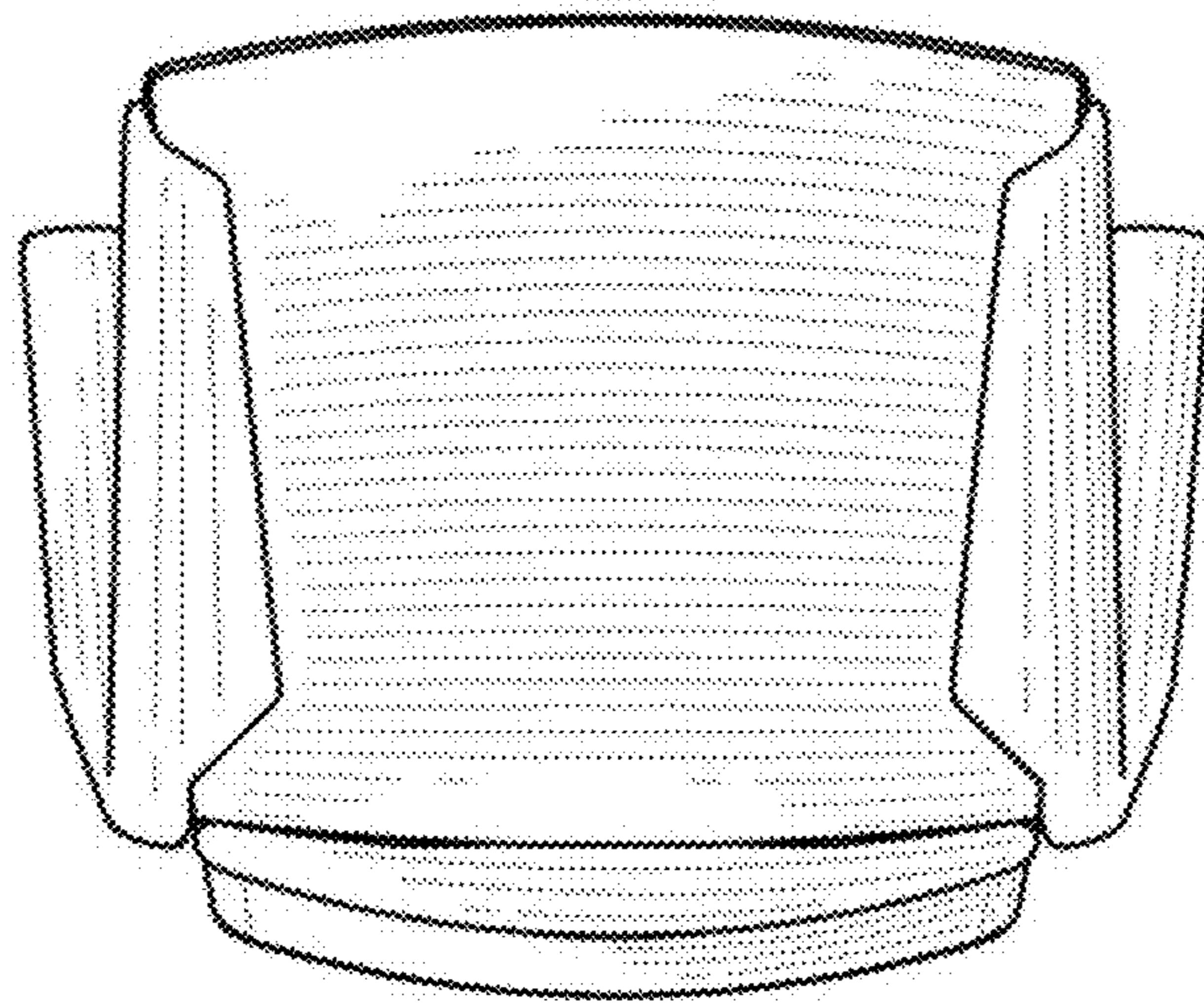


FIG. 8