



US00D760003S

(12) **United States Design Patent**
Primeau

(10) **Patent No.:** **US D760,003 S**
(45) **Date of Patent:** **** Jun. 28, 2016**

(54) **LEG FOR BED FRAME**

(56) **References Cited**

(71) Applicant: **Julien Beaudoin Ltee**, Daveluyville
(CA)

U.S. PATENT DOCUMENTS

3,565,377 A * 2/1971 Schreyer A47B 17/003
248/188.4
4,078,271 A * 3/1978 Tambascio A47C 19/024
248/188
2016/0007759 A1* 1/2016 Poleyoy A47C 19/025
5/400

(72) Inventor: **Mario Primeau**, St-Leonard (CA)

* cited by examiner

(73) Assignee: **JULIEN BEAUDOIN LTEE** (CA)

Primary Examiner — Janice Seeger

(**) Term: **14 Years**

(74) *Attorney, Agent, or Firm* — St Onge Steward Johnston
and Reens LLC

(21) Appl. No.: **29/491,876**

(57) **CLAIM**

The ornamental design for a leg for bed frame, as shown and
described.

(22) Filed: **May 27, 2014**

DESCRIPTION

(51) **LOC (10) Cl.** **06-06**

(52) **U.S. Cl.**

USPC **D6/709**

(58) **Field of Classification Search**

USPC D6/709, 709.21, 710, 708.23, 718,
D6/648.1, 656, 656.12, 656.17

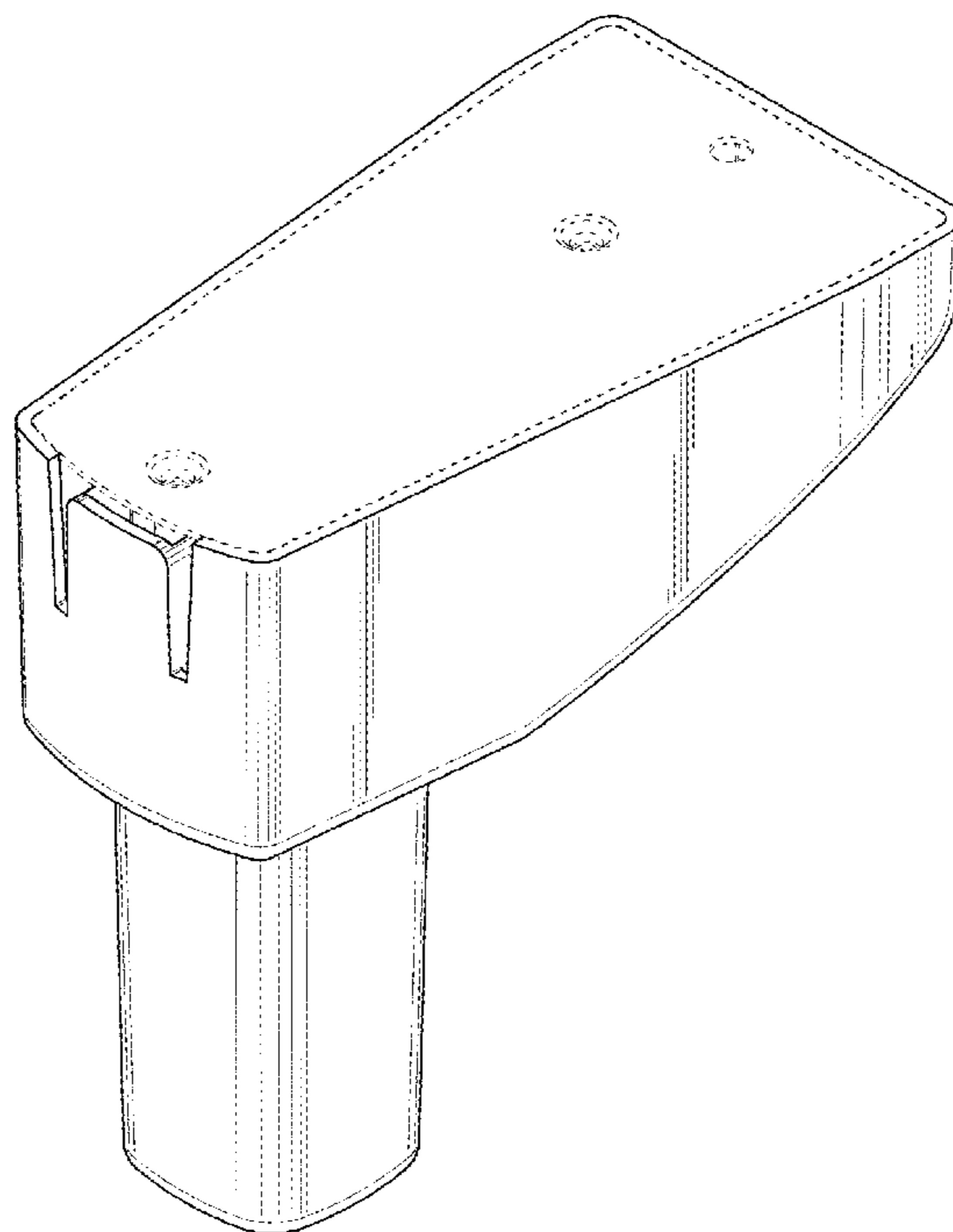
CPC A47C 19/024; A47C 19/025; A47C 19/02;
A47B 91/00; A47B 13/00; A47B 2013/2013;
A47B 2013/025; A47B 91/02; A47B 91/022;
A47B 2200/0032; A47B 2200/0052; A47B
2200/005

FIG. 1 is a rear right side isometric view of a leg for bed frame
in accordance with the new design;
FIG. 2 is a rear elevational view thereof;
FIG. 3 is a front elevational view thereof;
FIG. 4 is a top plan view thereof;
FIG. 5 is a bottom plan view thereof;
FIG. 6 is a left side elevational view thereof; and,
FIG. 7 is a front left side isometric view thereof, wherein the
leg for bed frame is shown in an environment wherein it is
connected to a bed frame.

The broken lines shown in FIGS. 1, 2, and 4 are for the
purpose of illustrating portions of the leg for bed frame that
form no part of the claimed design. The broken lines shown in
FIG. 7 illustrate the environment and form no part of the
claimed design.

See application file for complete search history.

1 Claim, 5 Drawing Sheets



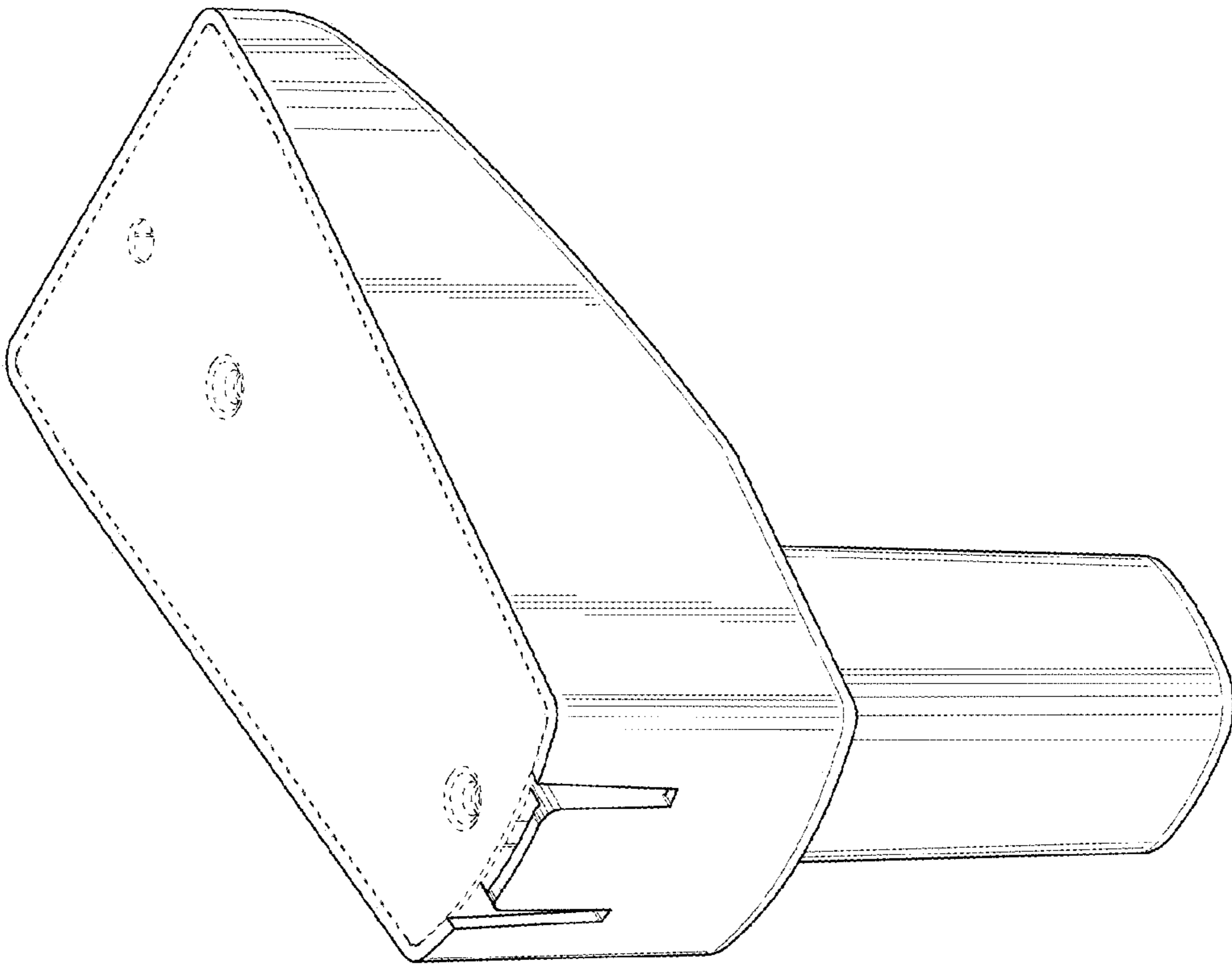


FIG. 1

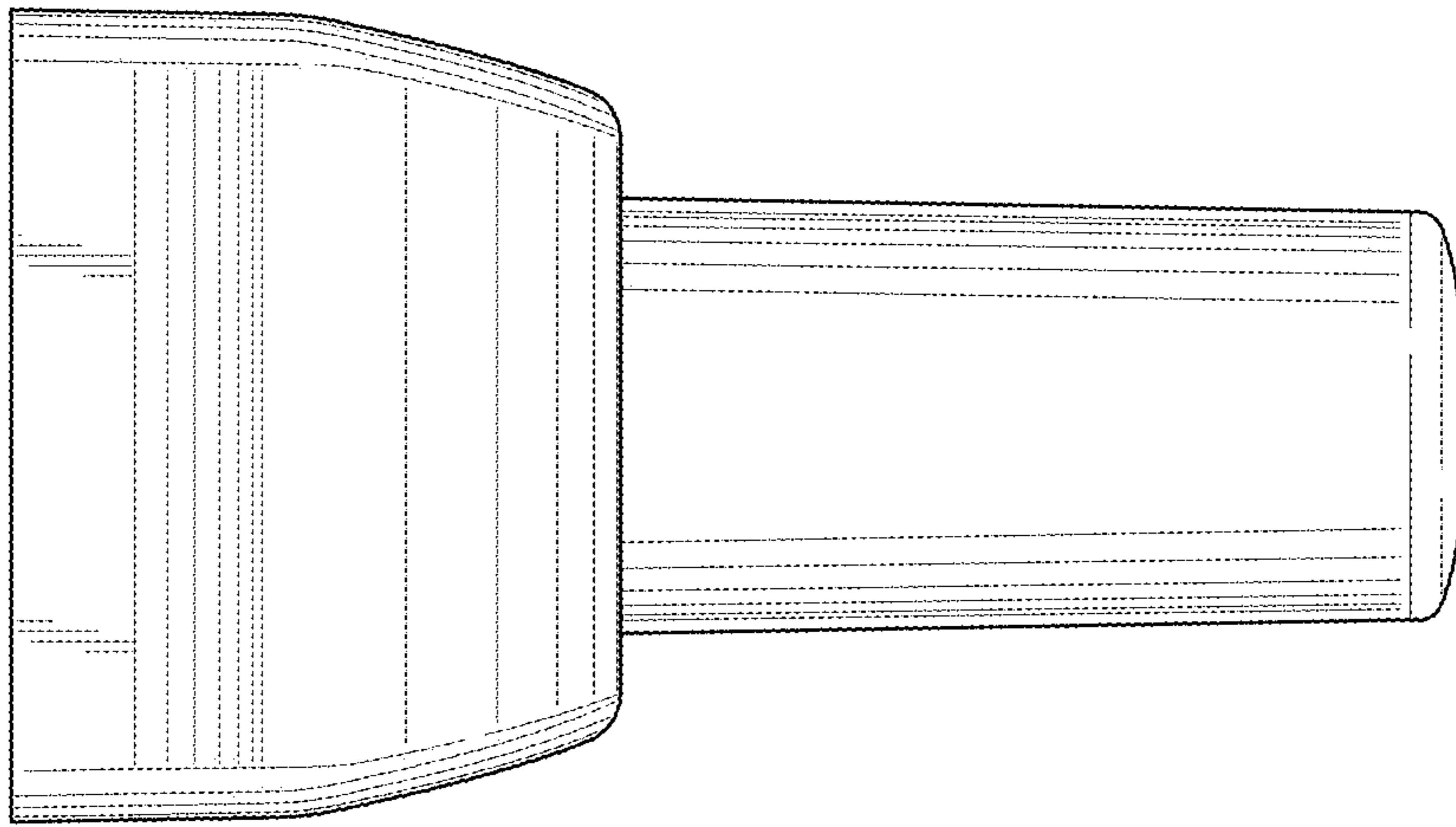


FIG. 3

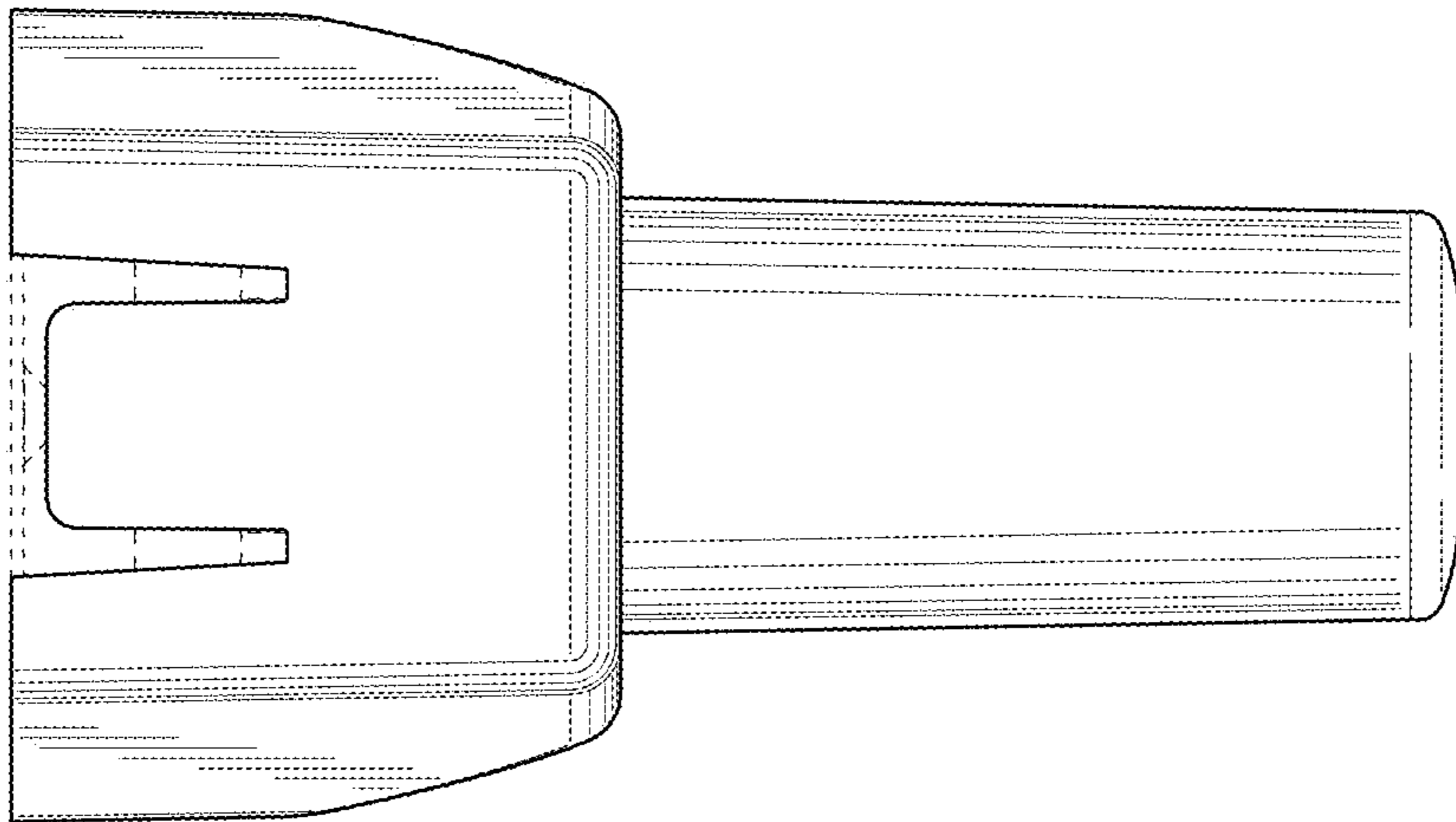


FIG. 2

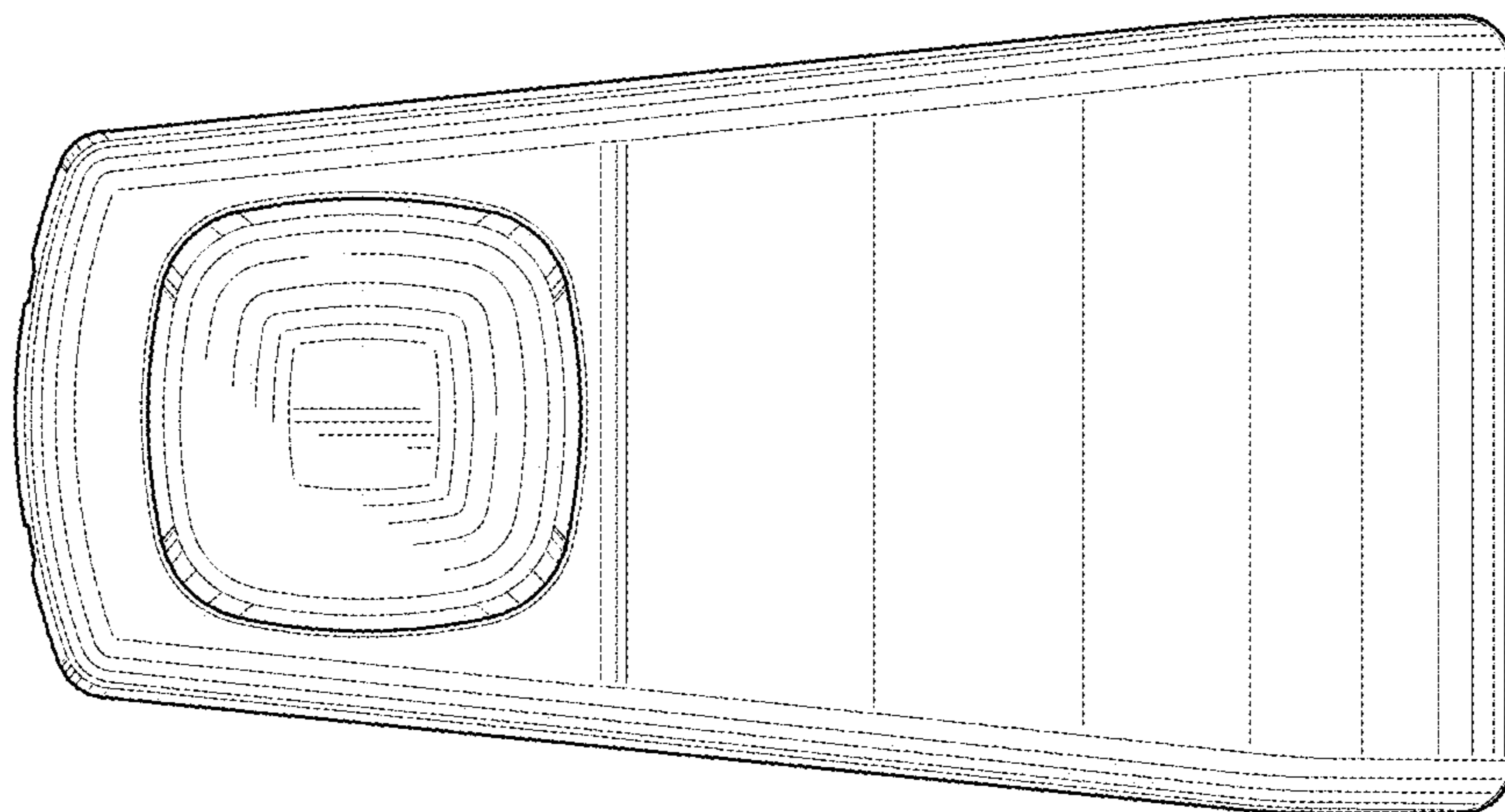


FIG. 5

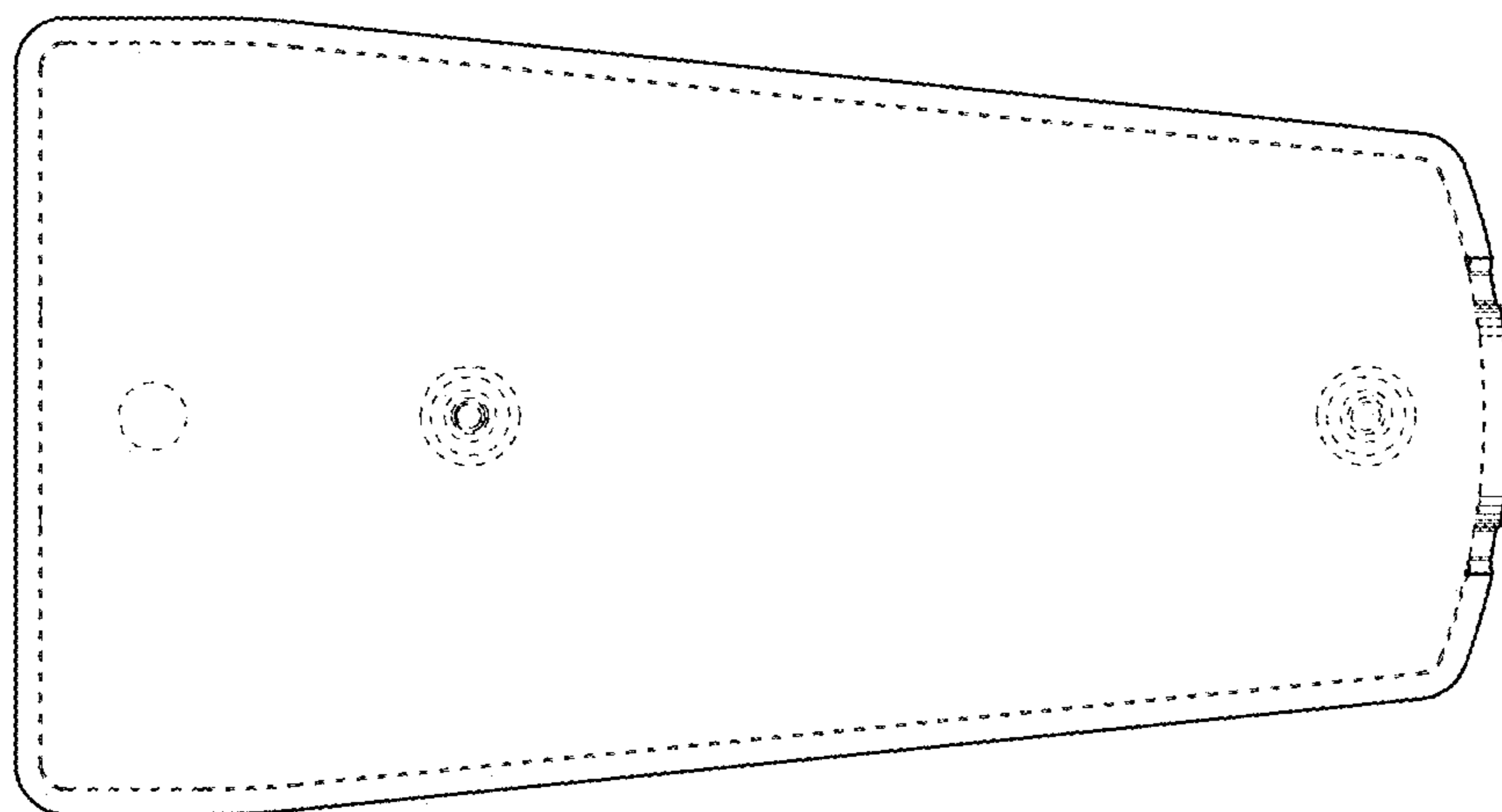


FIG. 4

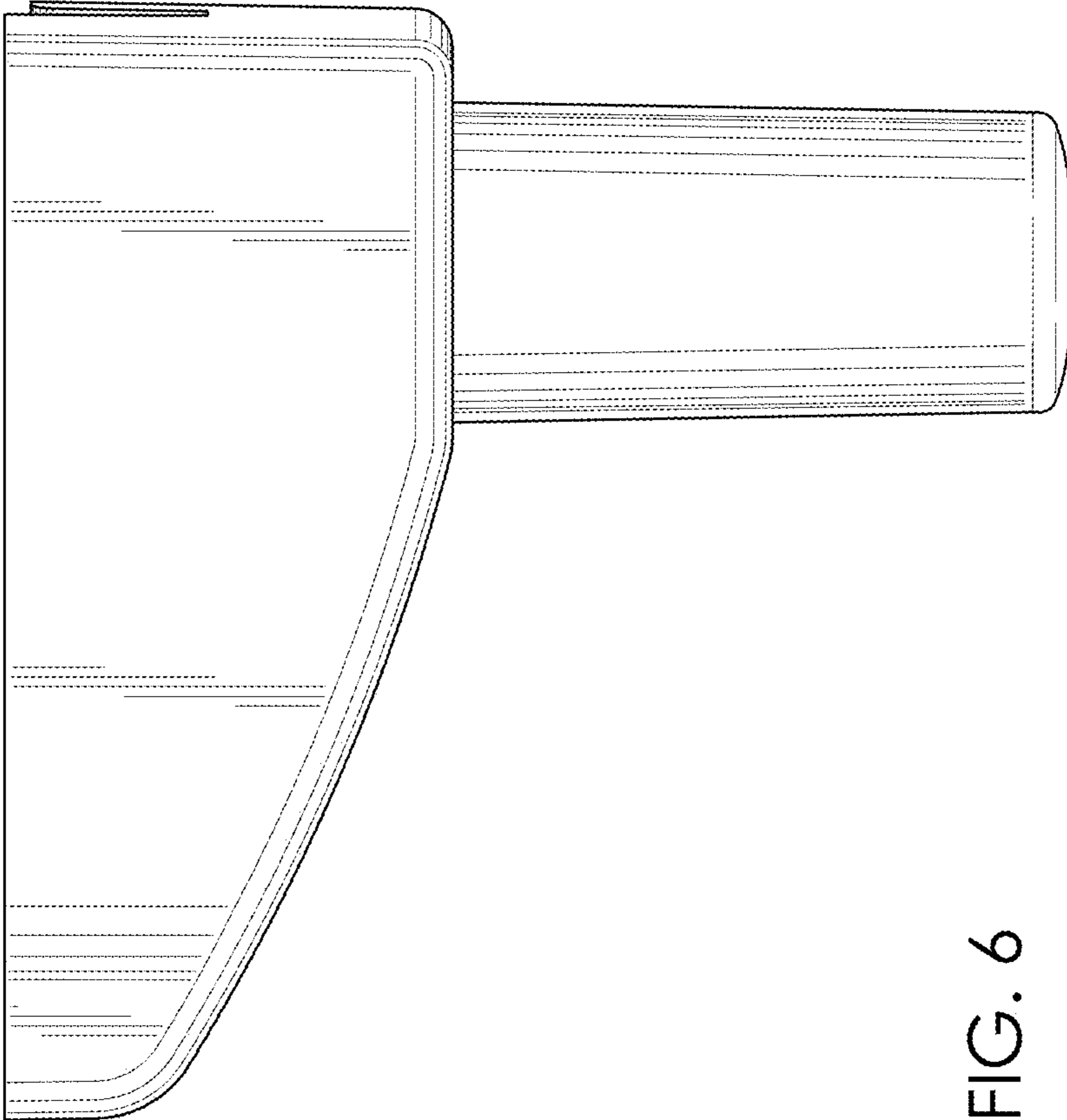


FIG. 6

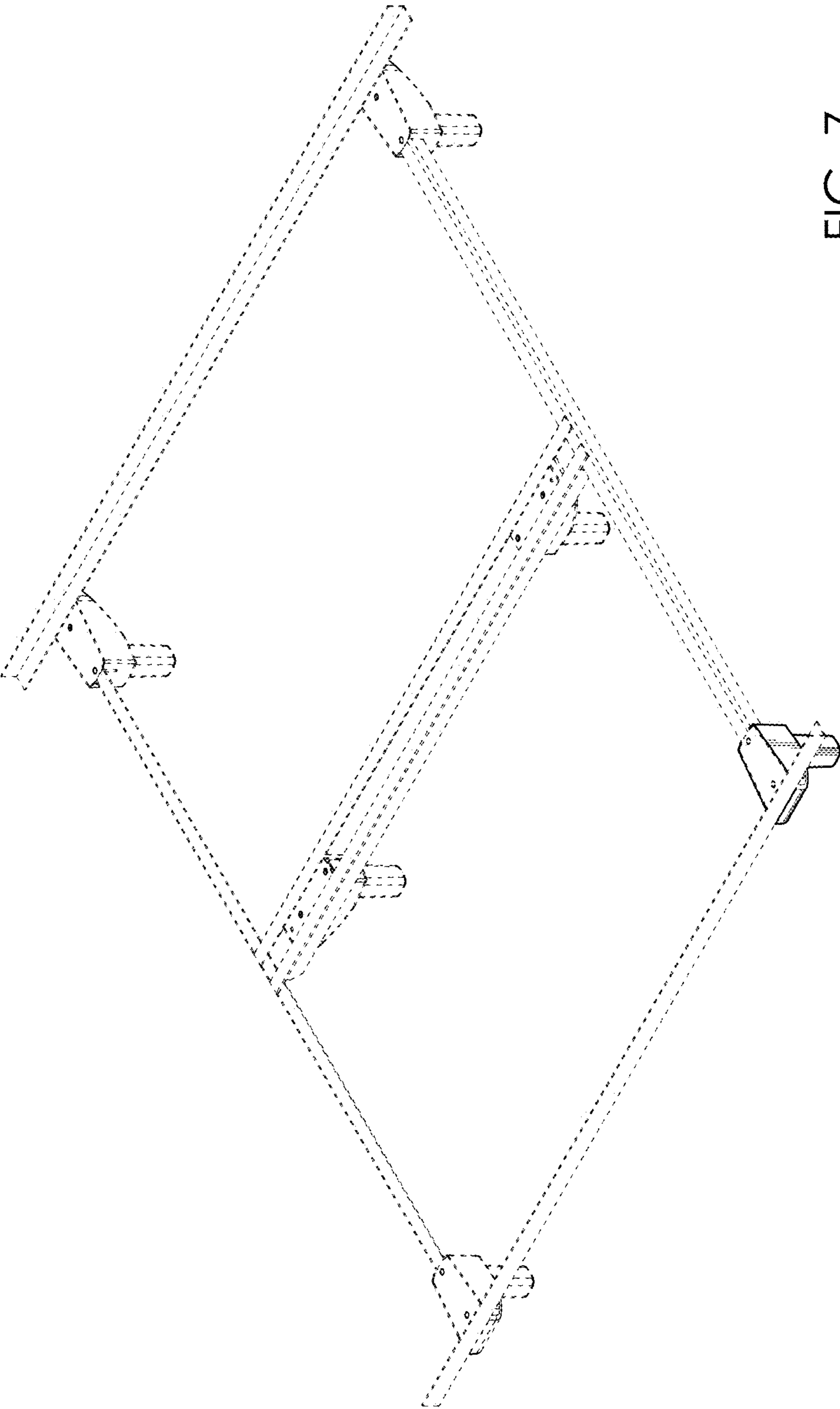


FIG. 7