

US00D760002S

(12) **United States Design Patent**
Hawkins

(10) **Patent No.:** **US D760,002 S**
(45) **Date of Patent:** **** Jun. 28, 2016**

- (54) **DISPLAY FIXTURE**
- (71) Applicant: **Target Brands, Inc.**, Minneapolis, MN (US)
- (72) Inventor: **Laura L. Hawkins**, Minneapolis, MN (US)
- (73) Assignee: **Target Brands, Inc.**, Minneapolis, MN (US)
- (**) Term: **14 Years**
- (21) Appl. No.: **29/498,243**
- (22) Filed: **Aug. 1, 2014**

3,788,717 A *	1/1974	Hosmer	A47B 88/0014
				312/122
D263,357 S *	3/1982	Savas	D6/675.4
D281,381 S *	11/1985	Moher, Jr.	D6/661.2
4,705,162 A	11/1987	Kupersmit		
4,877,137 A	10/1989	Govang et al.		
D323,440 S *	1/1992	Bustos	D6/574
5,673,796 A	10/1997	Tulloch		
D389,673 S *	1/1998	Mulvihill	D6/668.1
D393,554 S *	4/1998	Baluk	D6/683.1
5,984,120 A	11/1999	Johnske		
6,338,410 B1	1/2002	Wasmund		
D488,017 S *	4/2004	Belokin	D6/574
6,883,671 B2	4/2005	Rushing		
7,083,048 B2	8/2006	Taylor et al.		
7,213,707 B2	5/2007	Hubbs et al.		
D576,426 S *	9/2008	Yuen-Schat	D6/675.4
7,584,854 B2	9/2009	Chandaria		
7,743,921 B2	6/2010	Hubbs et al.		

(Continued)

Related U.S. Application Data

- (63) Continuation of application No. 13/711,172, filed on Dec. 11, 2012, now Pat. No. 8,967,399.
- (51) **LOC (10) Cl.** **06-04**
- (52) **U.S. Cl.**
USPC **D6/702**
- (58) **Field of Classification Search**
USPC D6/702, 683.1, 683, 681, 681.2, 678.1, D6/678, 672, 673, 329, 406.6, 574
CPC A47F 5/0025; A47F 5/0018; A47F 5/10; A47F 3/142
See application file for complete search history.

Primary Examiner — George D Kirschbaum

Assistant Examiner — Clese Moore, Jr.

(74) *Attorney, Agent, or Firm* — Leanne Taveggia Farrell; Westman, Champlin & Koehler, P.A.

(57) **CLAIM**

The ornamental design for a display fixture, as shown and described.

DESCRIPTION

FIG. 1 is a perspective view of a display fixture showing my new design;
 FIG. 2 is a front view thereof;
 FIG. 3 is a back view thereof;
 FIG. 4 is a right side view thereof, the left side view being a mirror image; and,
 FIG. 5 is a bottom view thereof.

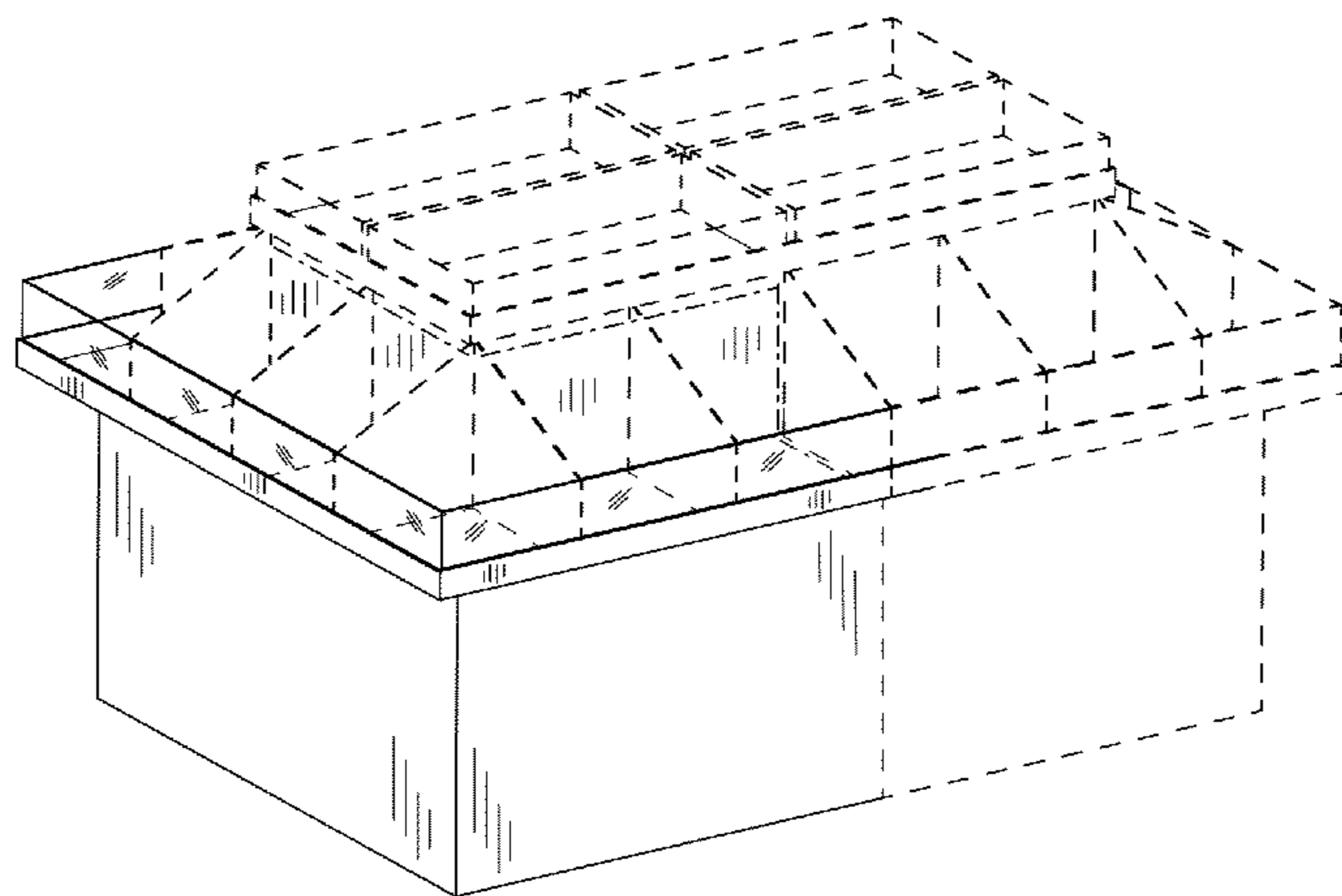
The dash-dash-dash broken lines shown illustrate portions of the display fixture and form no part of the claimed design. The dash-dot-dash broken lines shown represent boundaries of the claim and form no part of the claimed design.

1 Claim, 2 Drawing Sheets

(56) **References Cited**

U.S. PATENT DOCUMENTS

2,174,715 A *	10/1939	Baker	A47F 7/28	211/49.1
2,926,778 A	3/1960	Maguire			
3,044,679 A	7/1962	Wheeler et al.			
3,164,350 A	1/1965	Taub			
3,165,200 A	1/1965	Hanson			
3,190,438 A	6/1965	Cain et al.			
3,190,439 A	6/1965	Parker			
3,308,934 A	3/1967	Reiner			



(56)

References Cited

U.S. PATENT DOCUMENTS

7,823,732 B2 11/2010 Lutkauskas et al.
 D637,422 S * 5/2011 Theisen D6/675.1
 8,100,265 B2 1/2012 Farley
 D654,719 S * 2/2012 Stukenberg D6/675
 D668,889 S * 10/2012 Theisen D6/678.4
 D682,583 S * 5/2013 Hawkins D6/683.1
 D699,988 S * 2/2014 Hawkins D6/678.1
 D723,844 S * 3/2015 Hawkins D6/678
 D726,459 S * 4/2015 Hawkins D6/683.1
 9,009,997 B1 * 4/2015 Kemp G09F 7/18
 211/55

D741,631 S * 10/2015 Bertault D6/677
 2003/0052040 A1 3/2003 Brener et al.
 2003/0168368 A1 9/2003 Terrell et al.
 2008/0110789 A1 5/2008 McLeod et al.
 2008/0314849 A1 * 12/2008 Duchatellier A47F 3/142
 211/86.01
 2014/0158654 A1 * 6/2014 Hawkins A47F 5/10
 211/126.14
 2014/0158655 A1 * 6/2014 Hawkins A47F 3/142
 211/126.14
 2015/0060384 A1 * 3/2015 Hawkins A47F 5/0006
 211/187
 2015/0351560 A1 * 12/2015 Hawkins A47F 5/10
 211/123

* cited by examiner

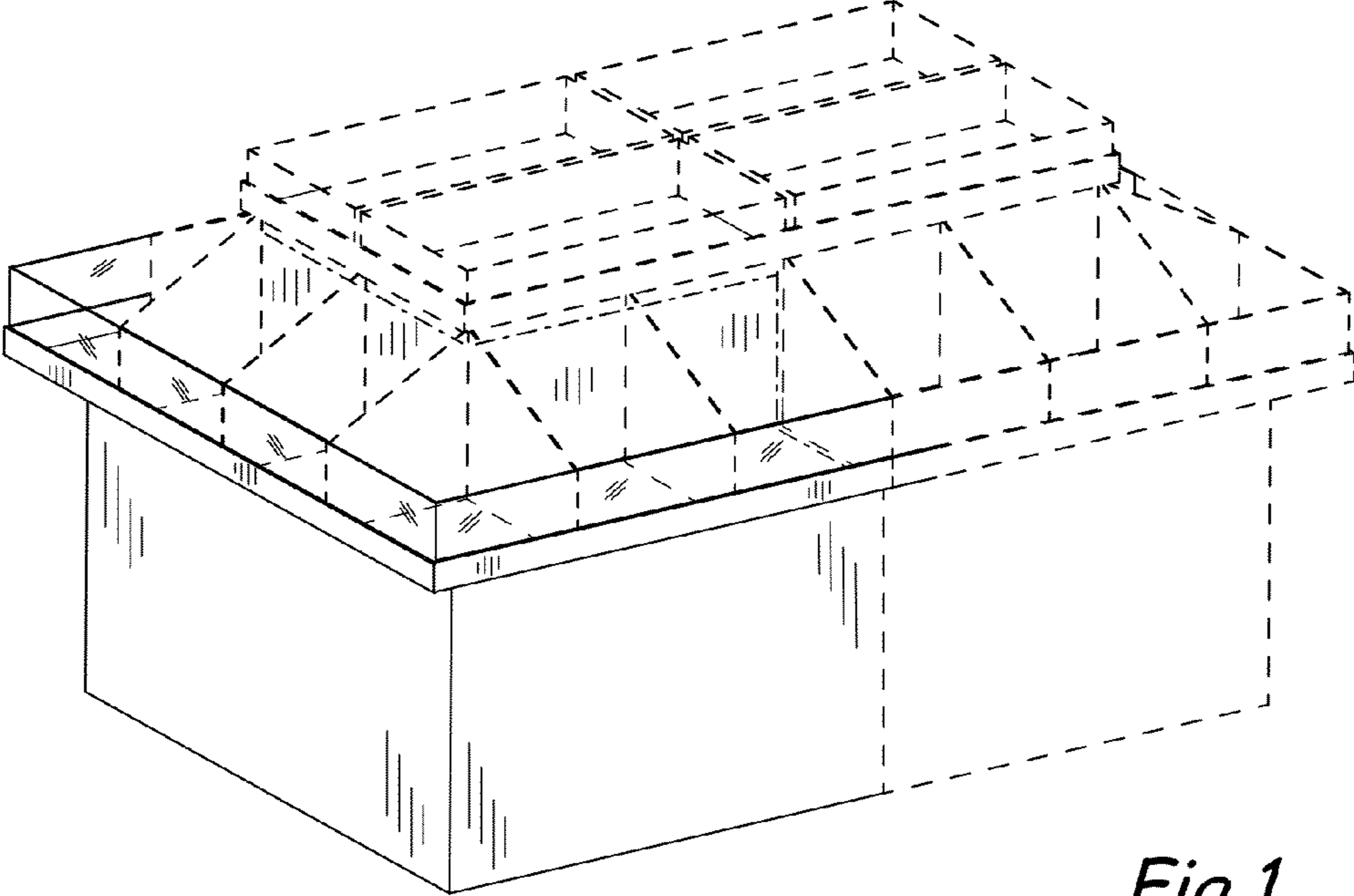


Fig.1

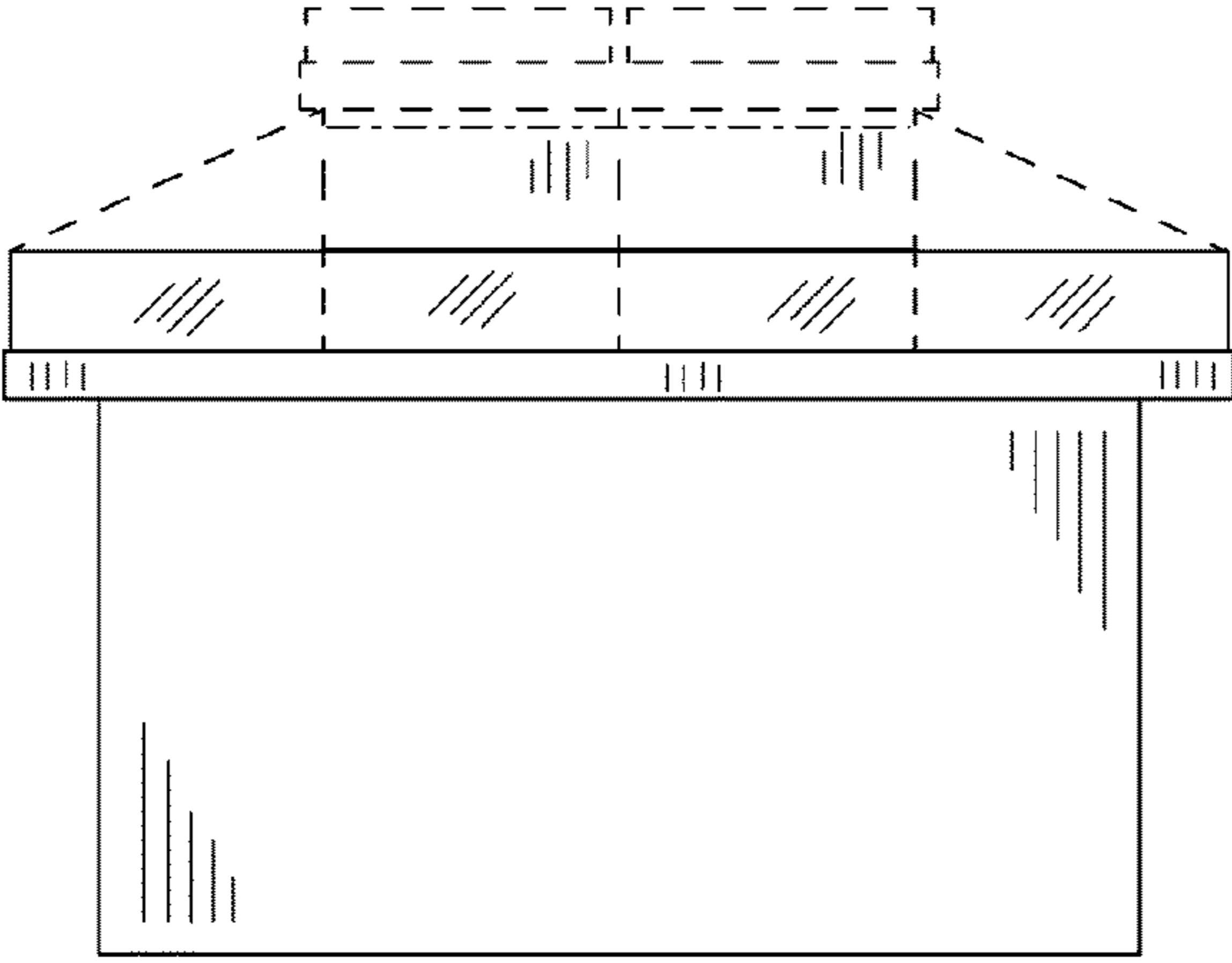


Fig.2

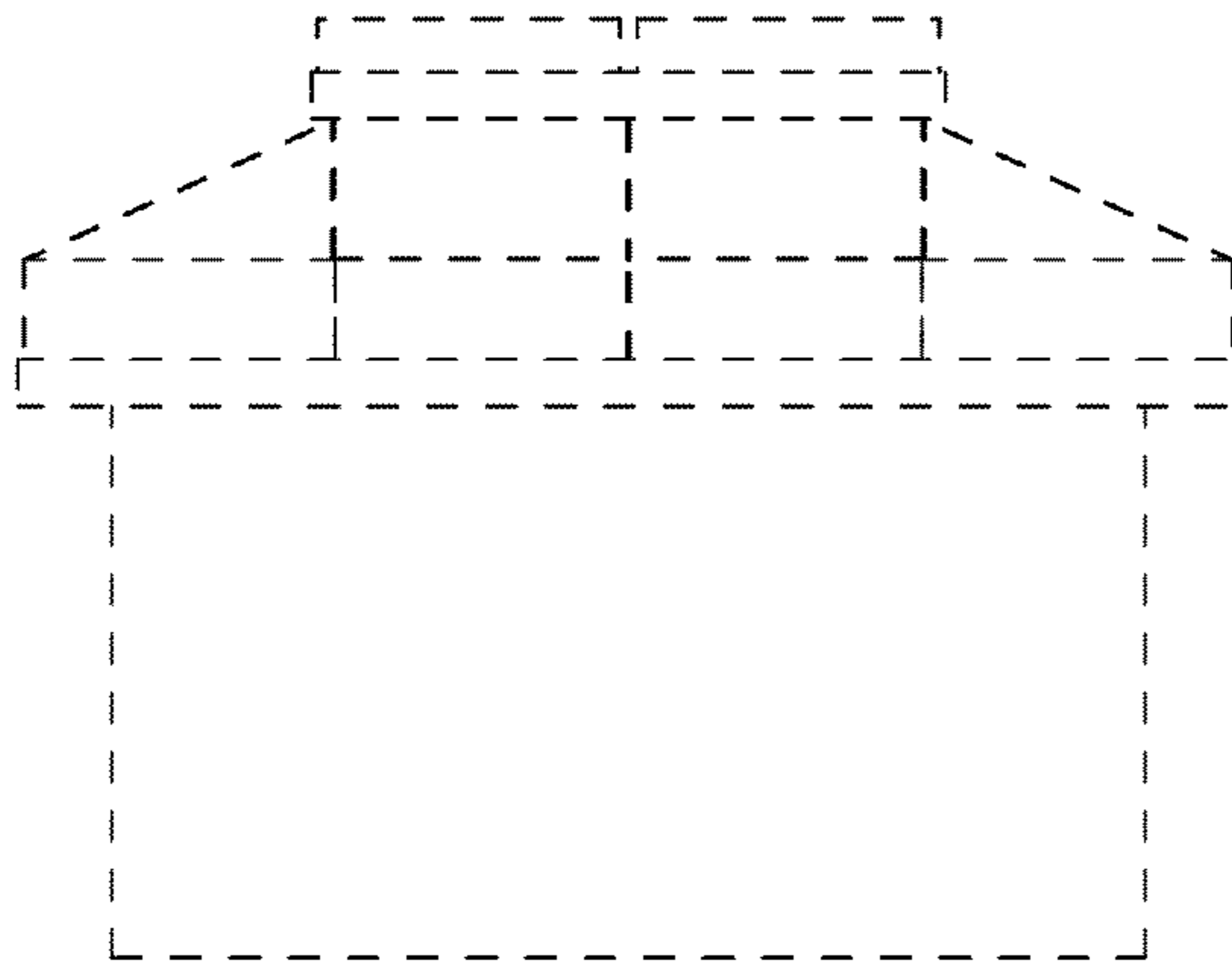


Fig. 3

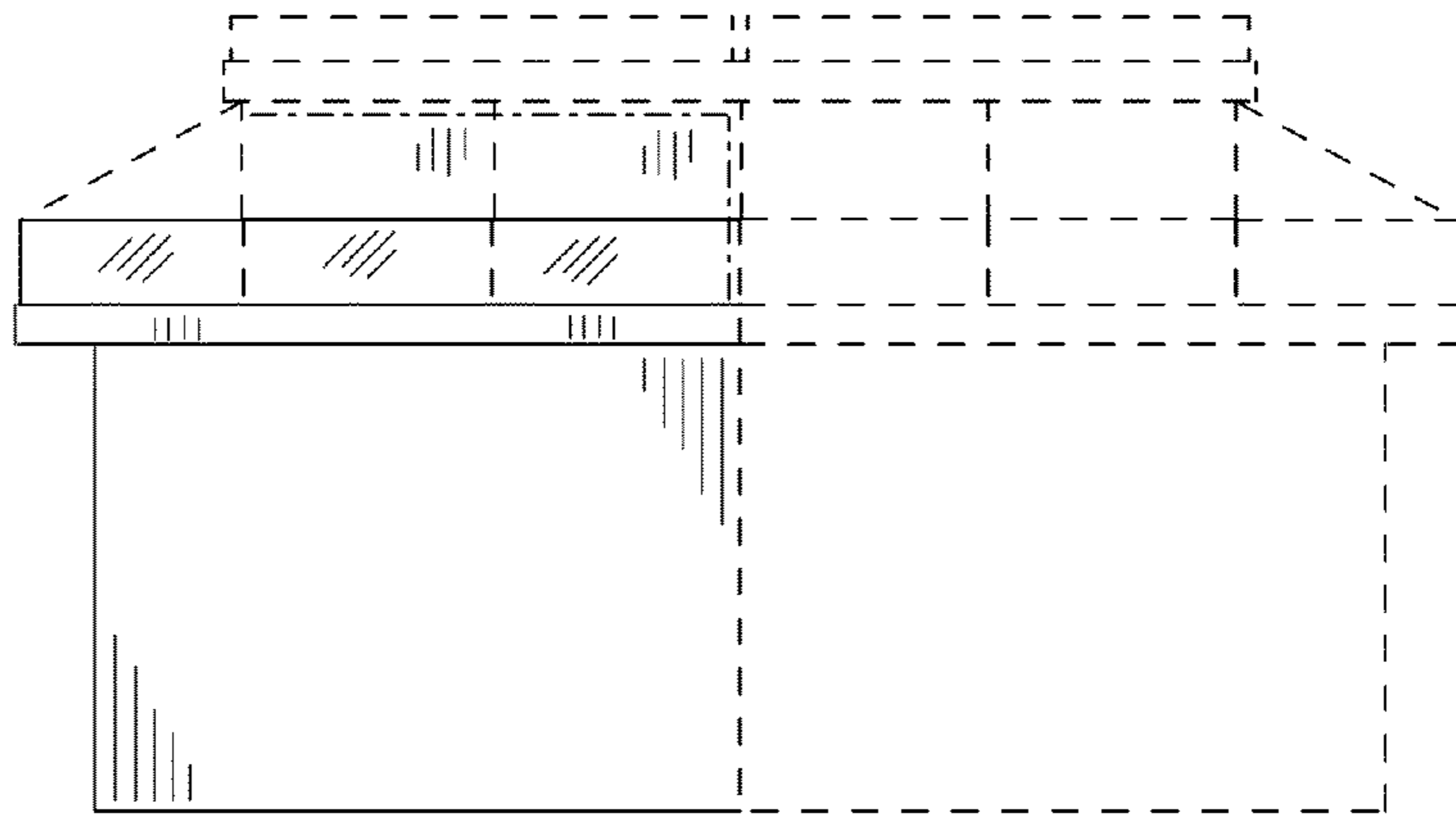


Fig. 4

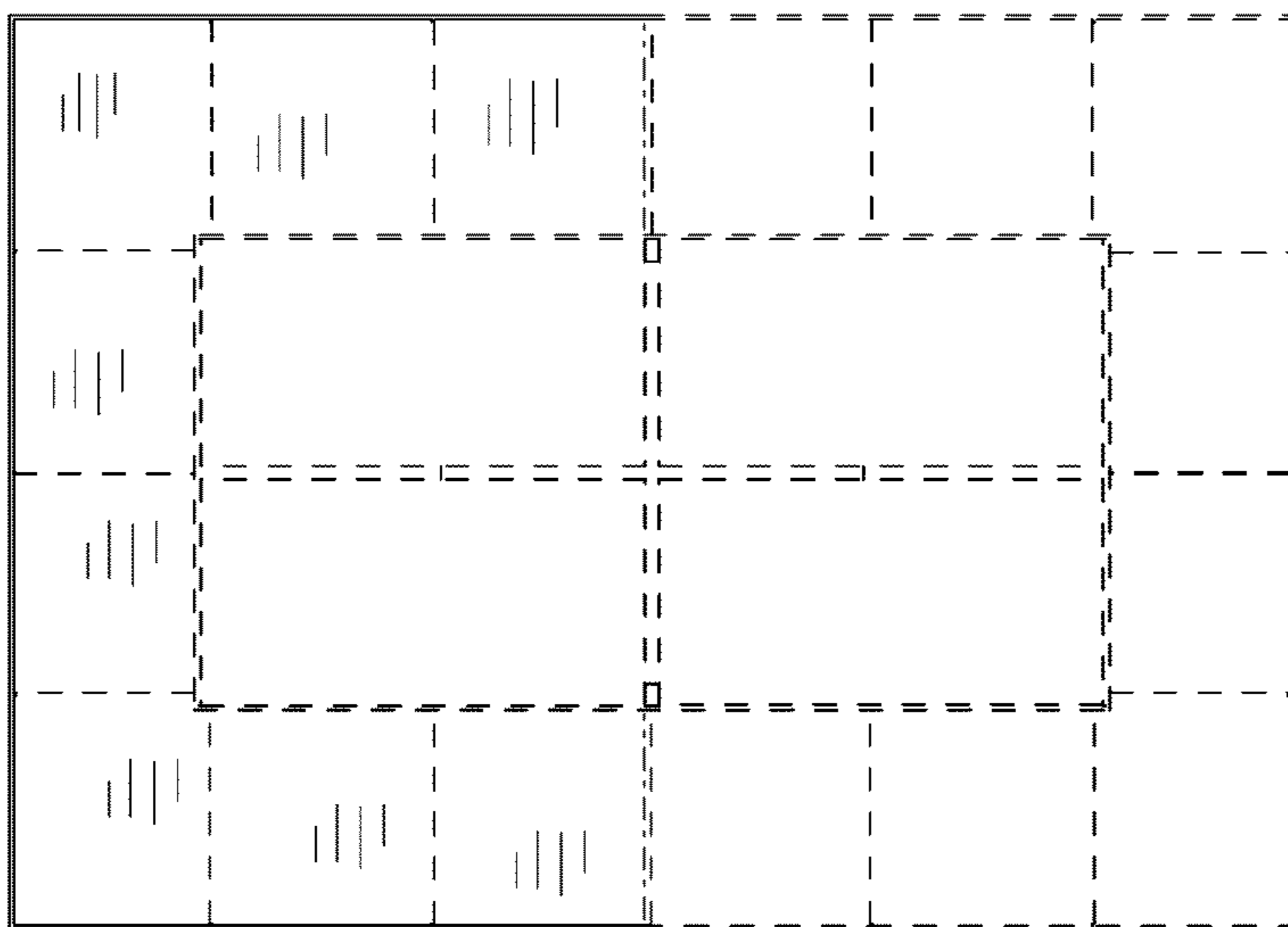


Fig. 5