



US00D760001S

(12) **United States Design Patent**
Carver

(10) **Patent No.:** **US D760,001 S**
(45) **Date of Patent:** **** Jun. 28, 2016**

(54) **HEXAGON TABLE WITH POCKET LEGS**

(71) Applicant: **Norman L. Carver**, China, MI (US)

(72) Inventor: **Norman L. Carver**, China, MI (US)

(**) Term: **14 Years**

(21) Appl. No.: **29/494,410**

(22) Filed: **Jun. 20, 2014**

(51) **LOC (10) Cl.** **06-03**

(52) **U.S. Cl.**
USPC **D6/695**

(58) **Field of Classification Search**
USPC D6/685, 688, 691, 691.8, 692.4, 695
CPC A47B 13/00; A47B 13/02; A47B 13/06;
A47B 13/021; A47B 13/16; A47B 2200/0011;
A47B 2200/0016
See application file for complete search history.

(56) **References Cited**

U.S. PATENT DOCUMENTS

D389,346 S	1/1998	Schefcik	
D583,590 S	12/2008	Ellouz	
D677,945 S *	3/2013	Boda	D6/695
D721,906 S *	2/2015	Carver	D6/691
2012/0227638 A1	9/2012	Boda et al.	

* cited by examiner

Primary Examiner — Mary Ann Calabrese

(74) *Attorney, Agent, or Firm* — Reising Ethington P.C.

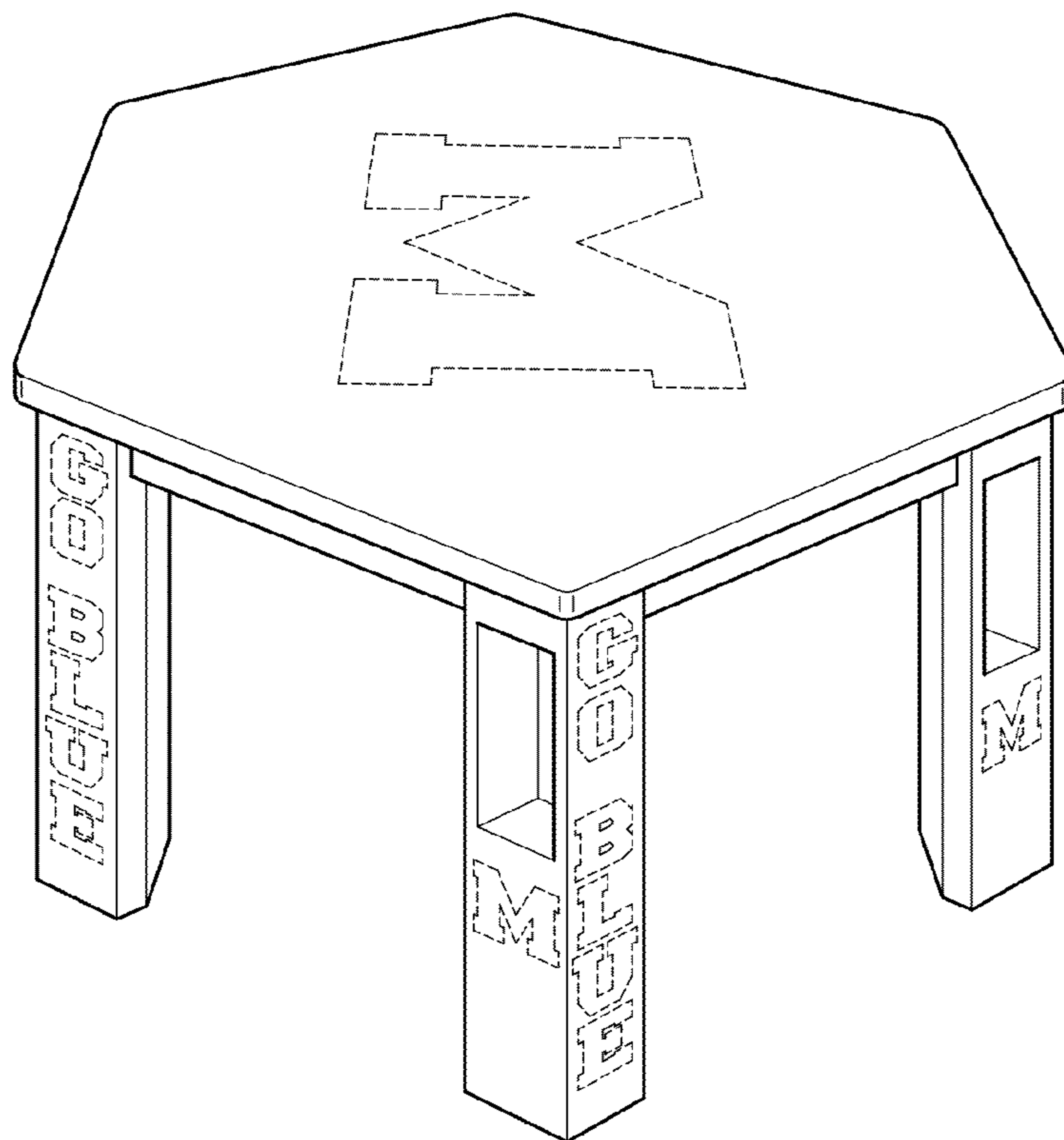
(57) **CLAIM**

The ornamental design for a hexagon table with pocket legs, as shown.

DESCRIPTION

FIG. 1 is a perspective view of a hexagon table with pocket legs;
FIG. 2 is a side view that represents each of the six corners of the hexagon table with pocket legs;
FIG. 3 is a side view that represents each of the six side faces of the hexagon table with pocket legs;
FIG. 4 is a top side view of the hexagon table with pocket legs;
FIG. 5 is an underside view of the hexagon table with pocket legs; and,
FIG. 6 is a sectional view taken along 6-6 on FIG. 3.
In the drawings, portions shown by broken lines form no part of the claimed design. Each of the six corners and six sides of the claimed design are identical and represented by FIG. 2 and FIG. 3, respectively. Accordingly, FIG. 6 is a representative view of each of the six table legs.

1 Claim, 2 Drawing Sheets



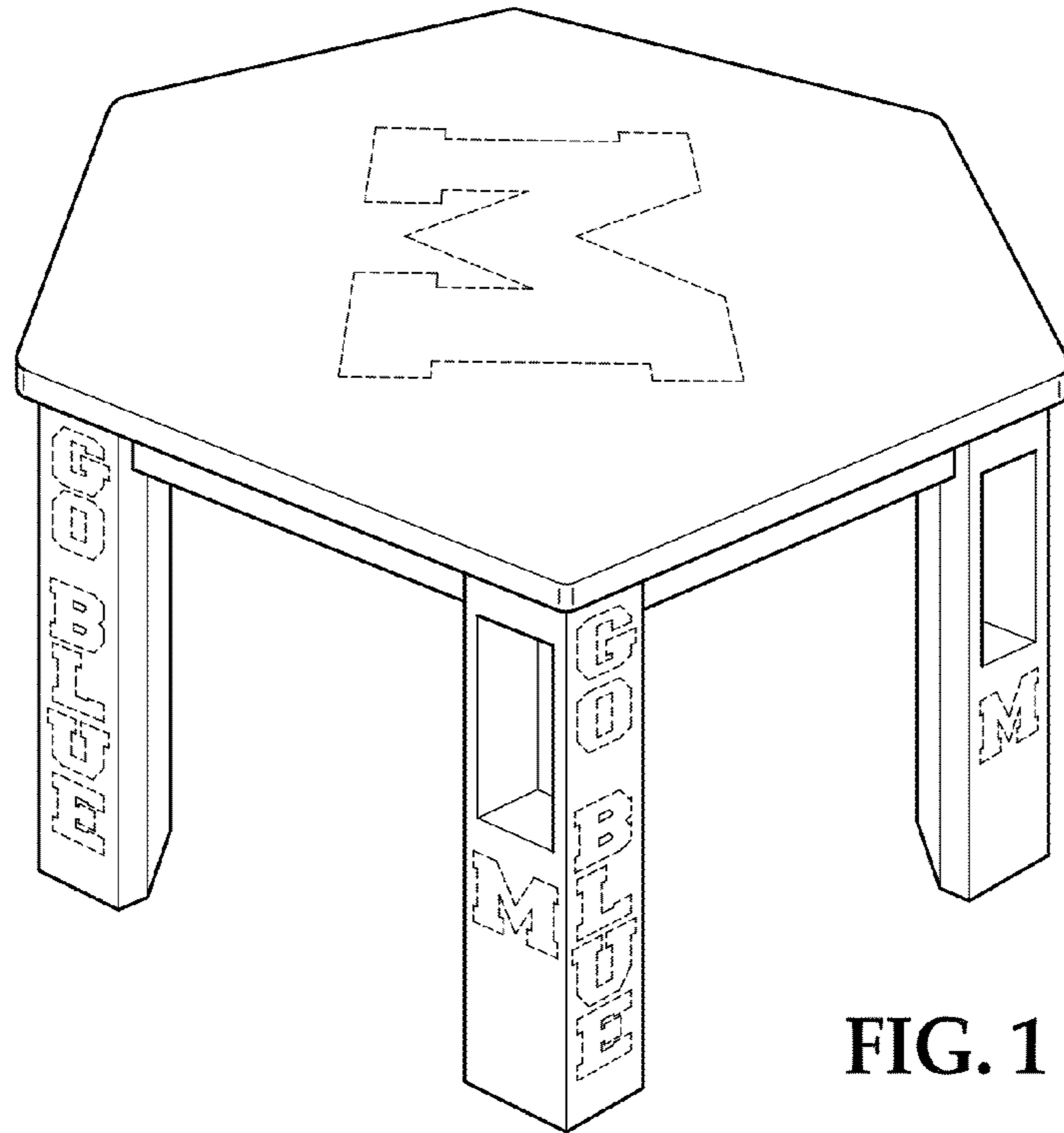


FIG. 1

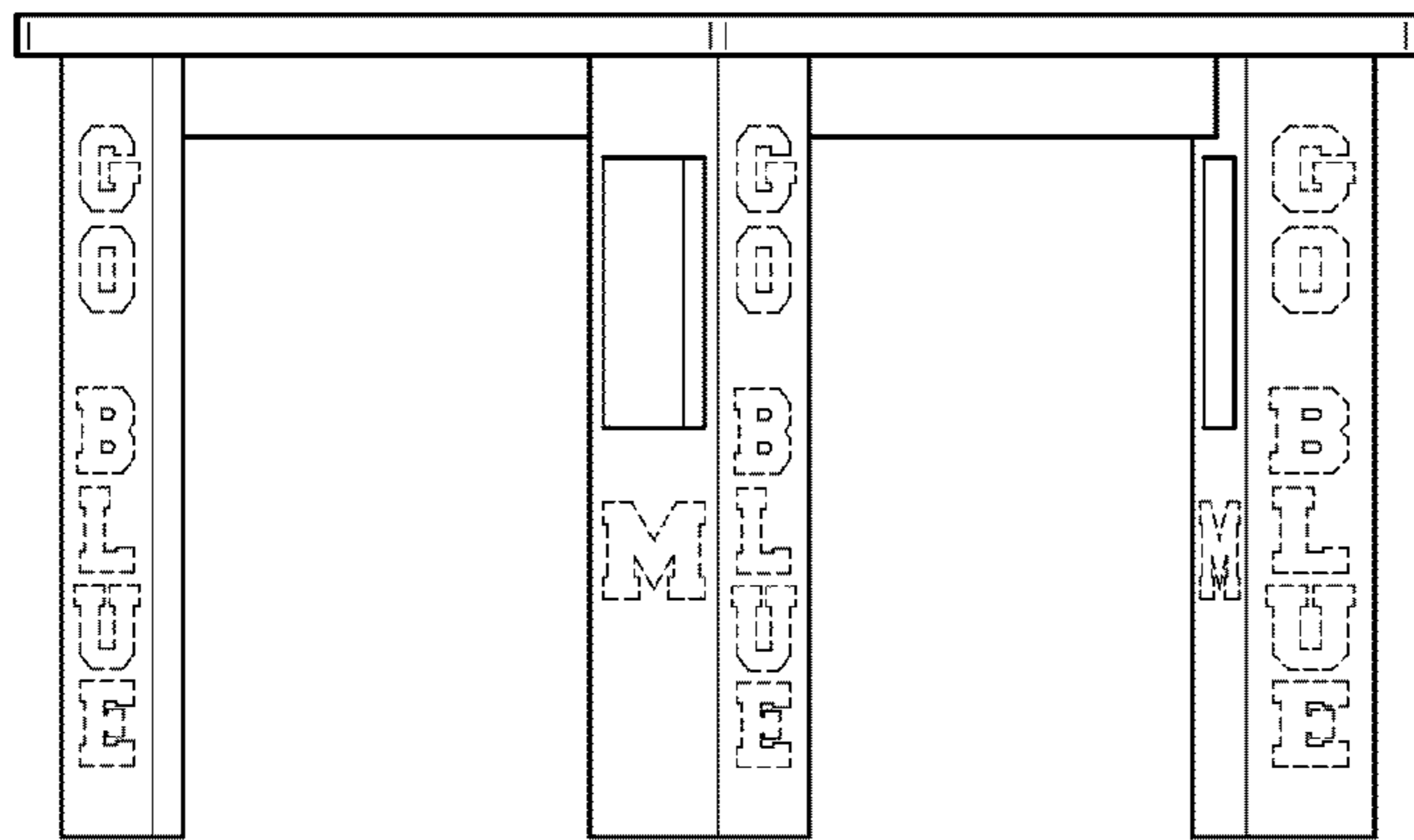


FIG. 2

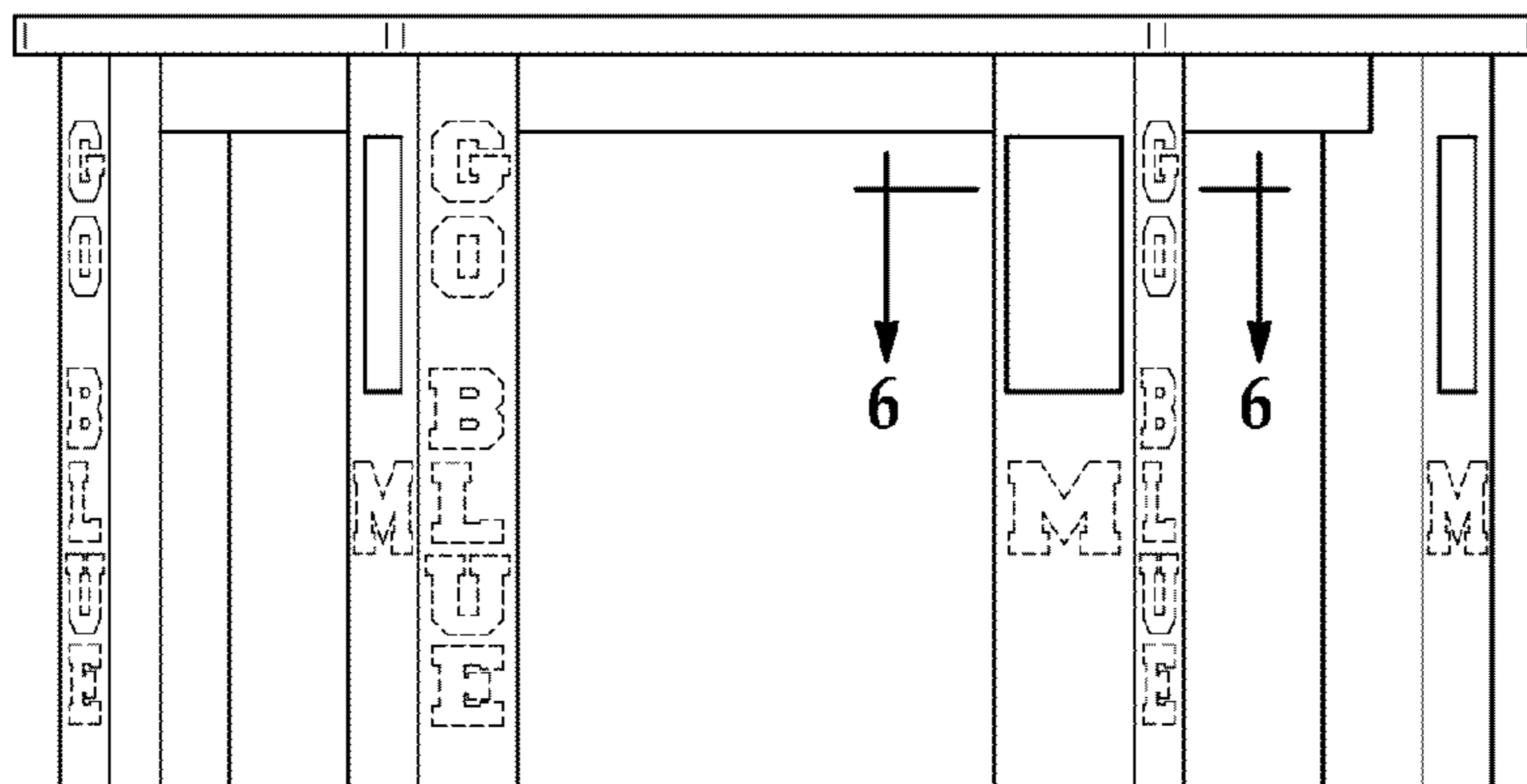


FIG. 3

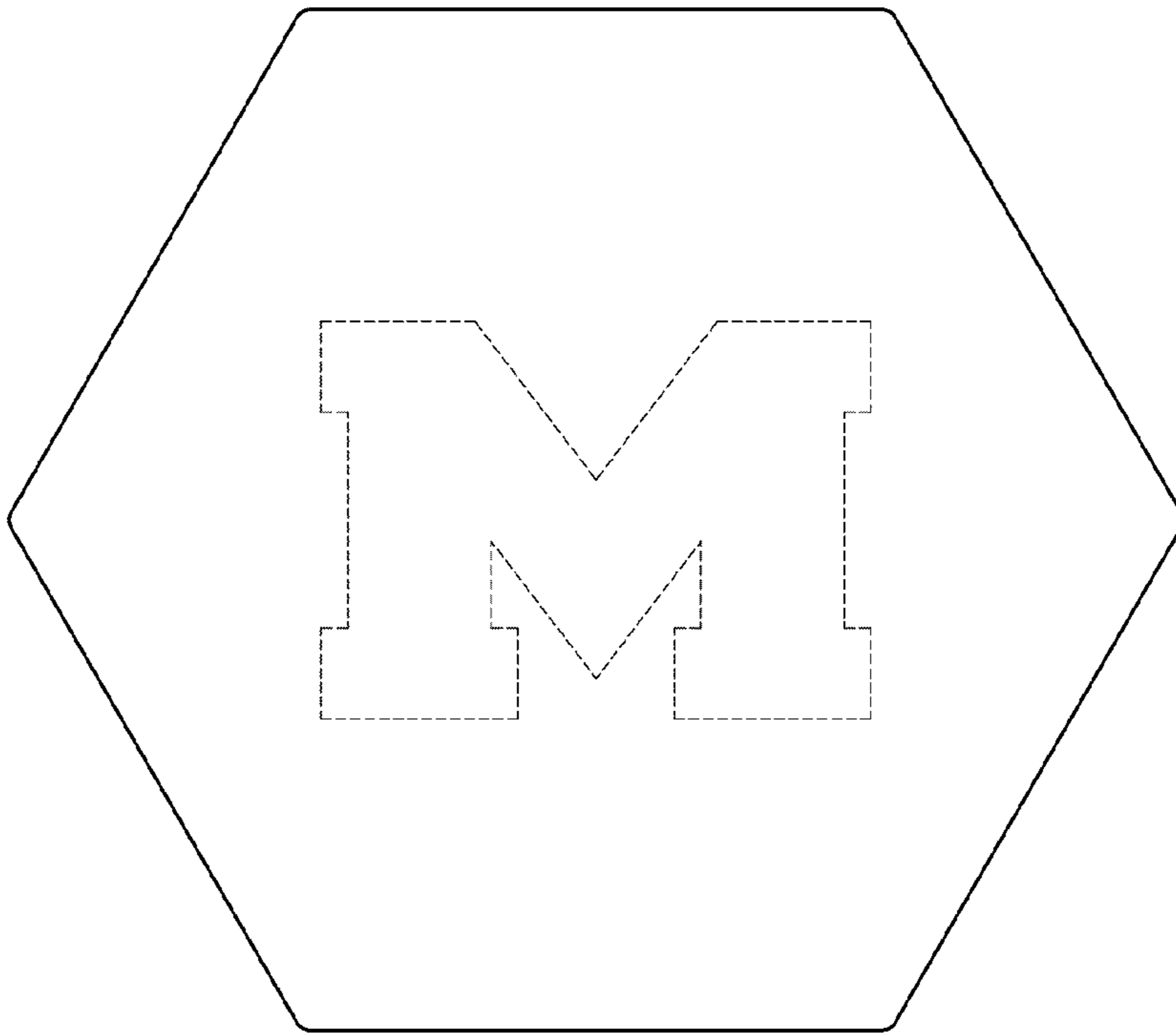


FIG. 4

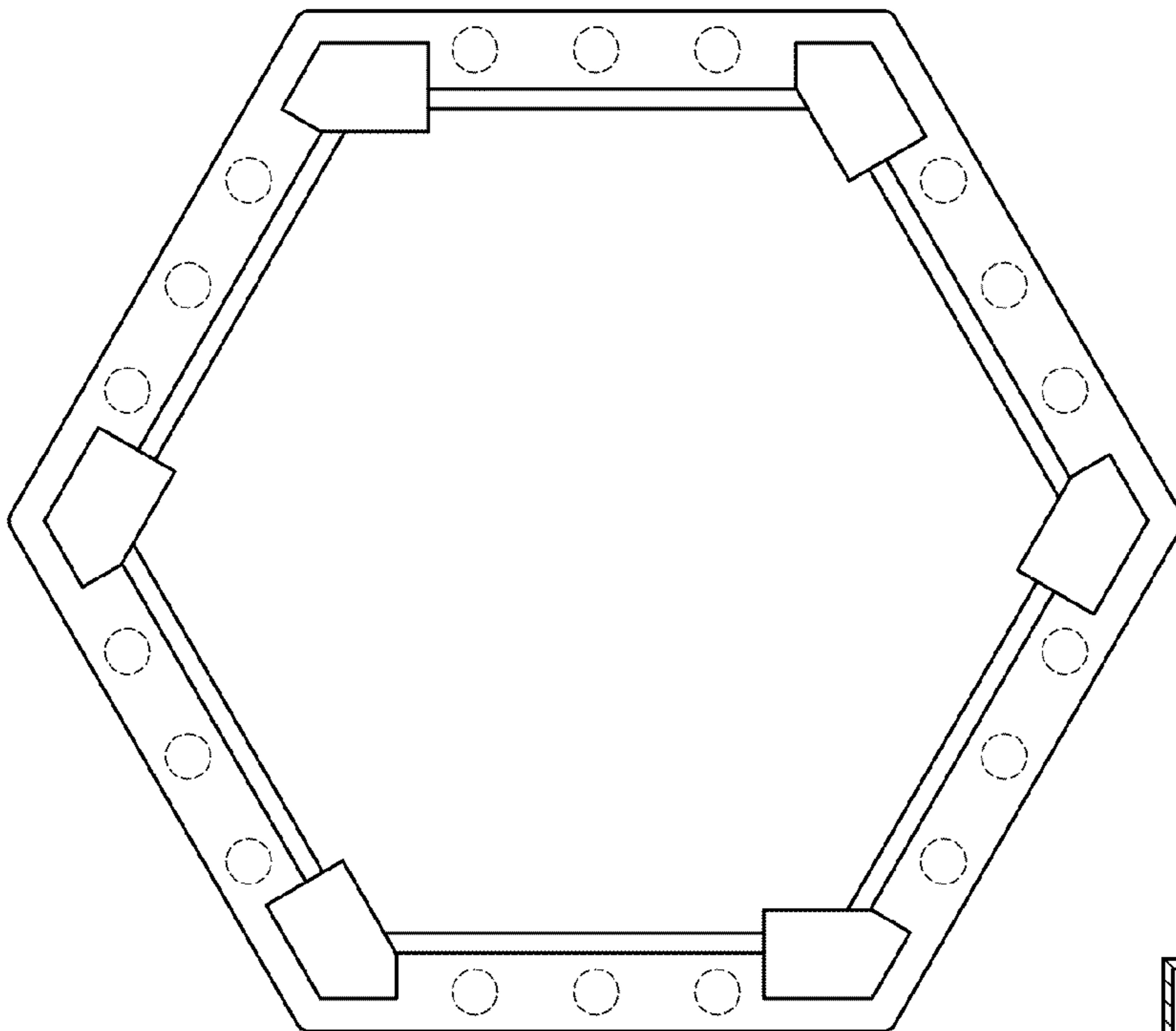


FIG. 5

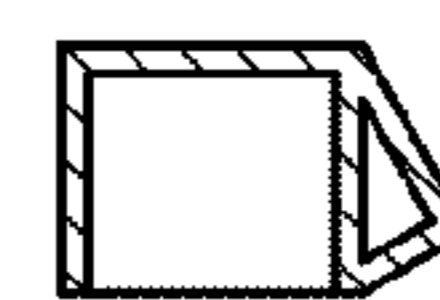


FIG. 6