

US00D76000S

(12) **United States Design Patent**  
**Brandes**

(10) **Patent No.:** **US D760,000 S**

(45) **Date of Patent:** **\*\* Jun. 28, 2016**

(54) **SNAP-TOGETHER STAND**

(71) Applicant: **Jeffrey Brandes**, Sealy, TX (US)

(72) Inventor: **Jeffrey Brandes**, Sealy, TX (US)

(\*\*) Term: **14 Years**

(21) Appl. No.: **29/525,274**

(22) Filed: **Apr. 28, 2015**

(51) **LOC (10) Cl.** ..... **06-06**

(52) **U.S. Cl.**  
USPC ..... **D6/682.3**

(58) **Field of Classification Search**  
USPC ..... D6/672-673, 678, 680, 682, 682.3;  
D17/9, 20; D14/229, 447  
CPC ..... A47F 7/00; A47F 7/0042  
See application file for complete search history.

(56) **References Cited**

**U.S. PATENT DOCUMENTS**

D249,953 S *	10/1978	Drake	.....	D19/91
D308,537 S *	6/1990	Clark	.....	D18/59
D473,072 S *	4/2003	Seeley	.....	D14/447
D609,500 S *	2/2010	Fieldhouse	.....	D6/678
D647,326 S *	10/2011	Kellett	.....	D6/682.4
D689,718 S *	9/2013	Puckett	.....	D6/683

D692,012 S *	10/2013	Thorne	.....	D14/253
D704,968 S *	5/2014	Steger	.....	D6/682.4
D715,806 S *	10/2014	An	.....	D14/447
D720,010 S *	12/2014	Waldron	.....	D19/91
D741,632 S *	10/2015	Mahar	.....	D6/682.3

\* cited by examiner

*Primary Examiner* — Kelley Donnelly

(74) *Attorney, Agent, or Firm* — Dunlap, Bennett & Ludwig PLLC

(57) **CLAIM**

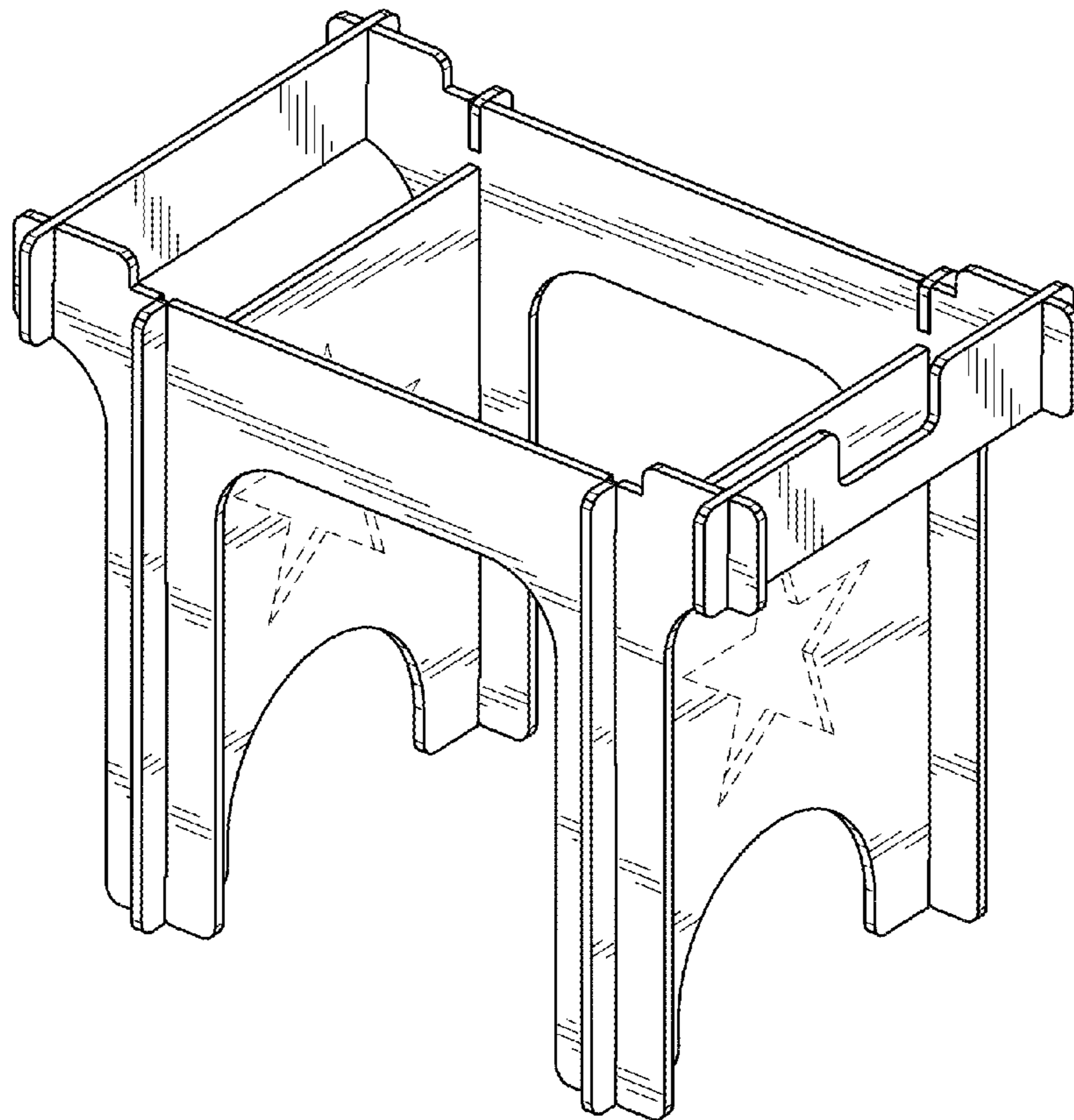
The ornamental design for a snap-together stand, as shown and described.

**DESCRIPTION**

FIG. 1 is a front perspective view of a snap-together stand; FIG. 2 is a front elevation view thereof; the rear elevation view being an identical image thereof; FIG. 3 is a left side elevation view thereof; FIG. 4 is a right side elevation view thereof; FIG. 5 is a top plan view thereof; FIG. 6 is a bottom plan view thereof; and, FIG. 7 is an exploded perspective view thereof.

The broken lines shown in the drawings illustrate portions of the snap-together stand that form no part of the claimed design.

**1 Claim, 4 Drawing Sheets**



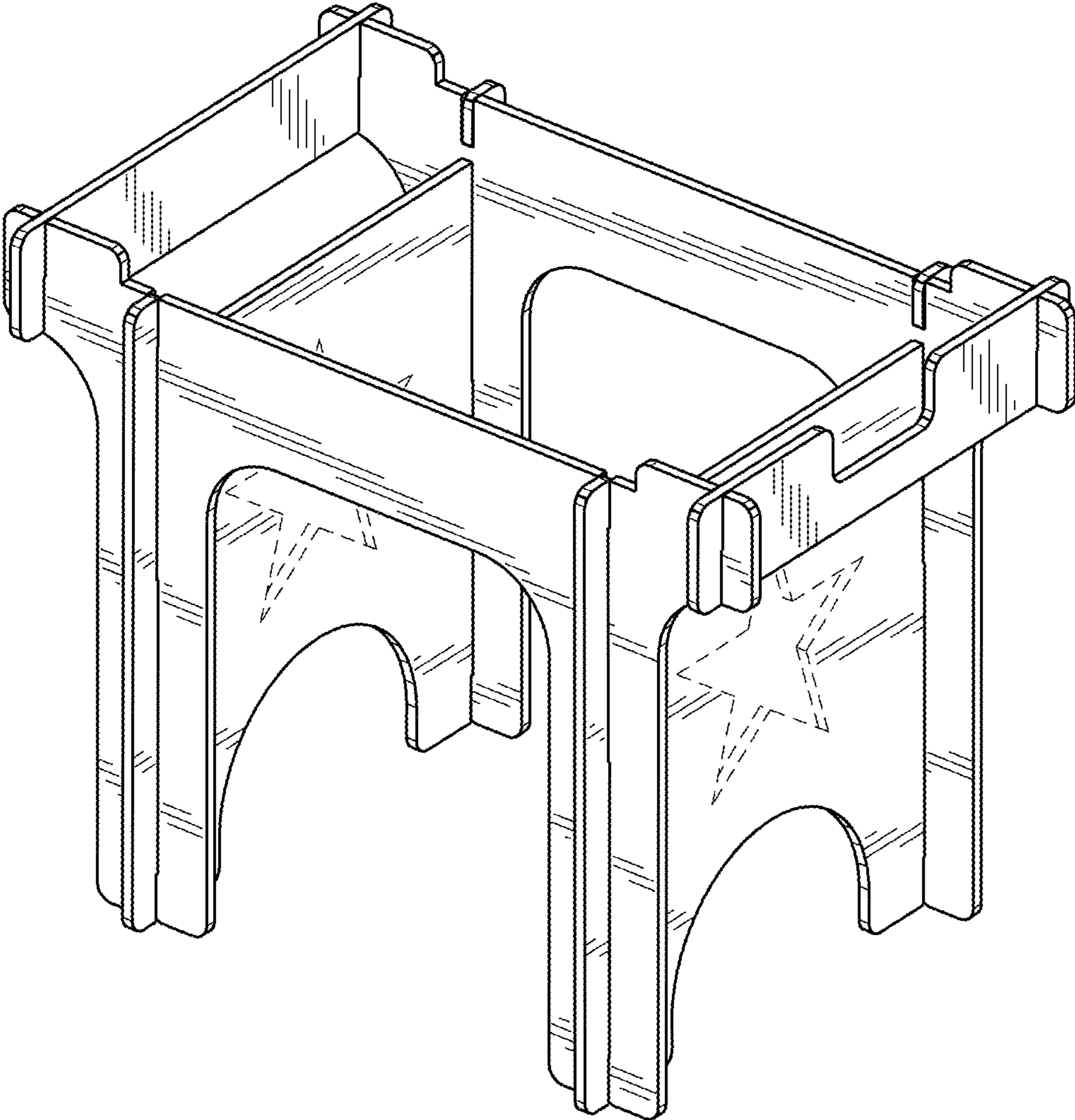


FIG. 1

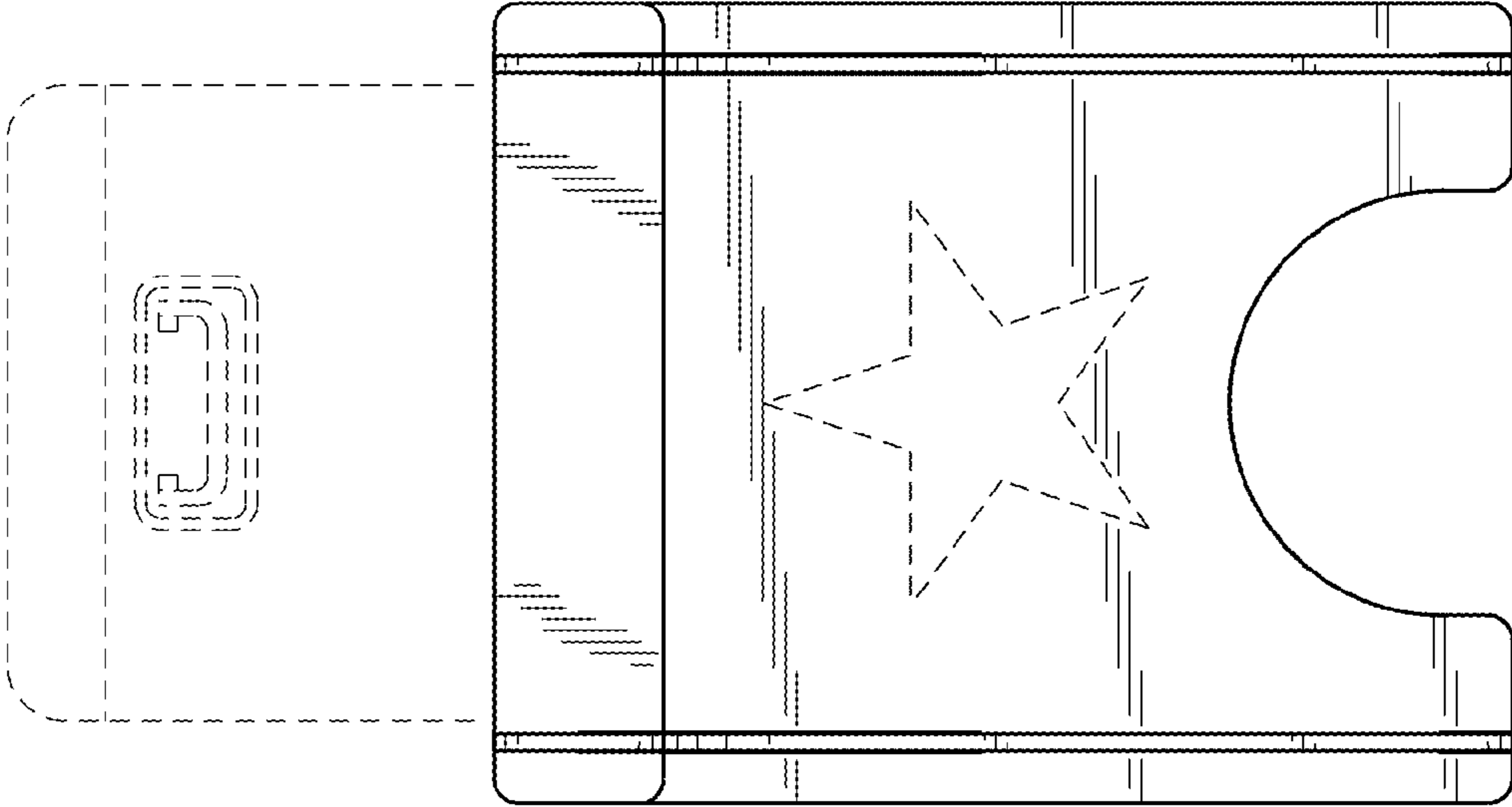


FIG. 3

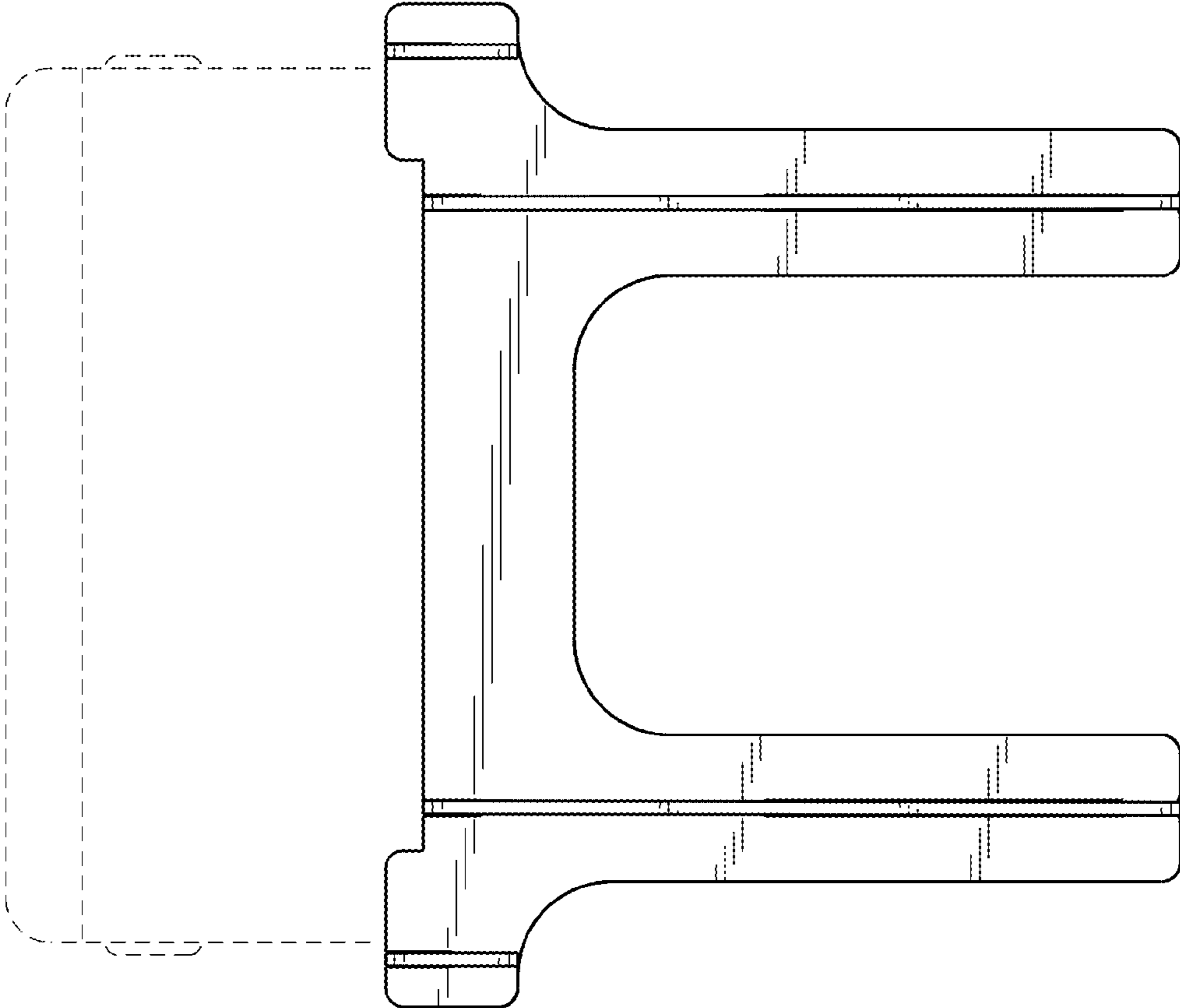


FIG. 2

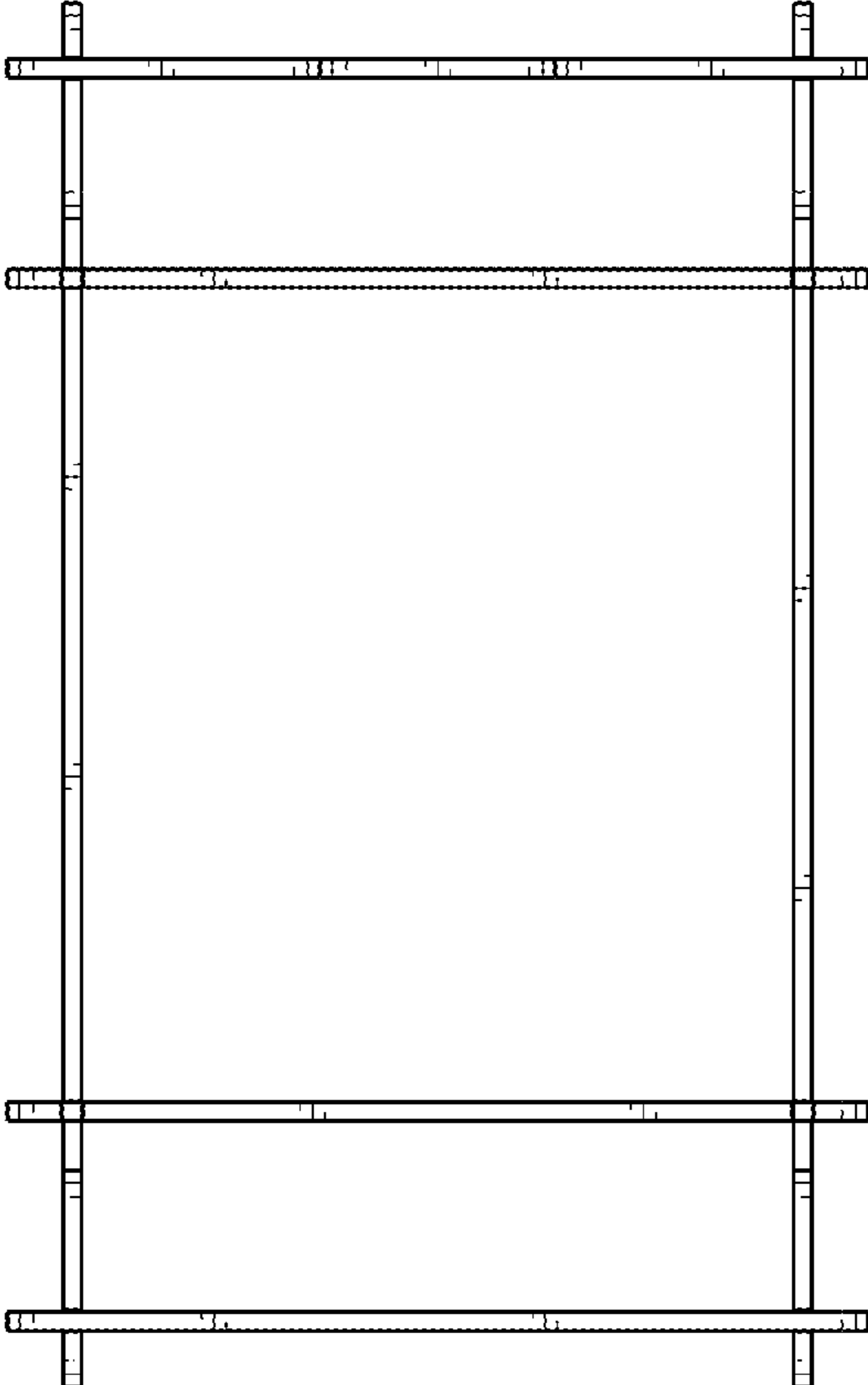


FIG. 5

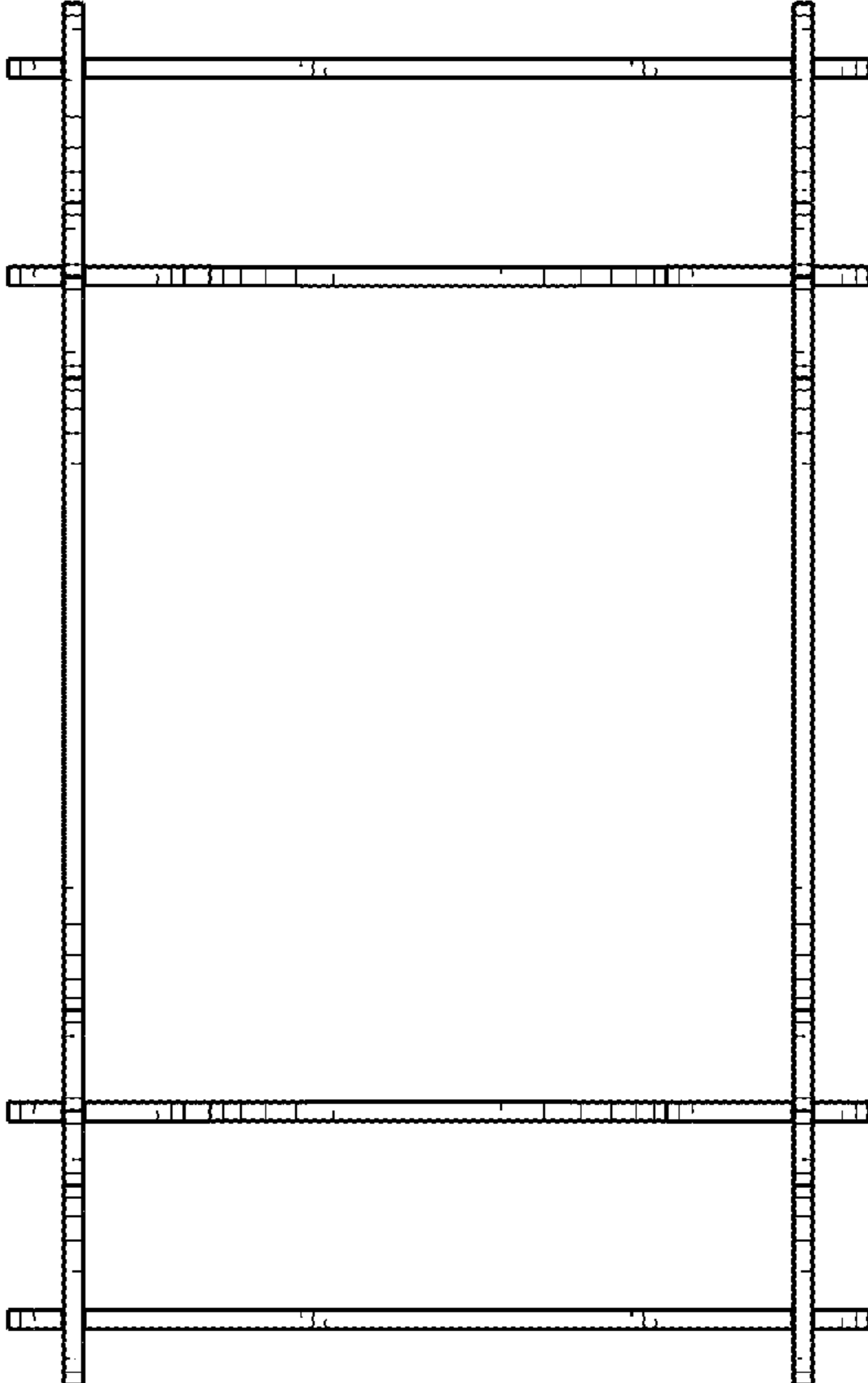


FIG. 6

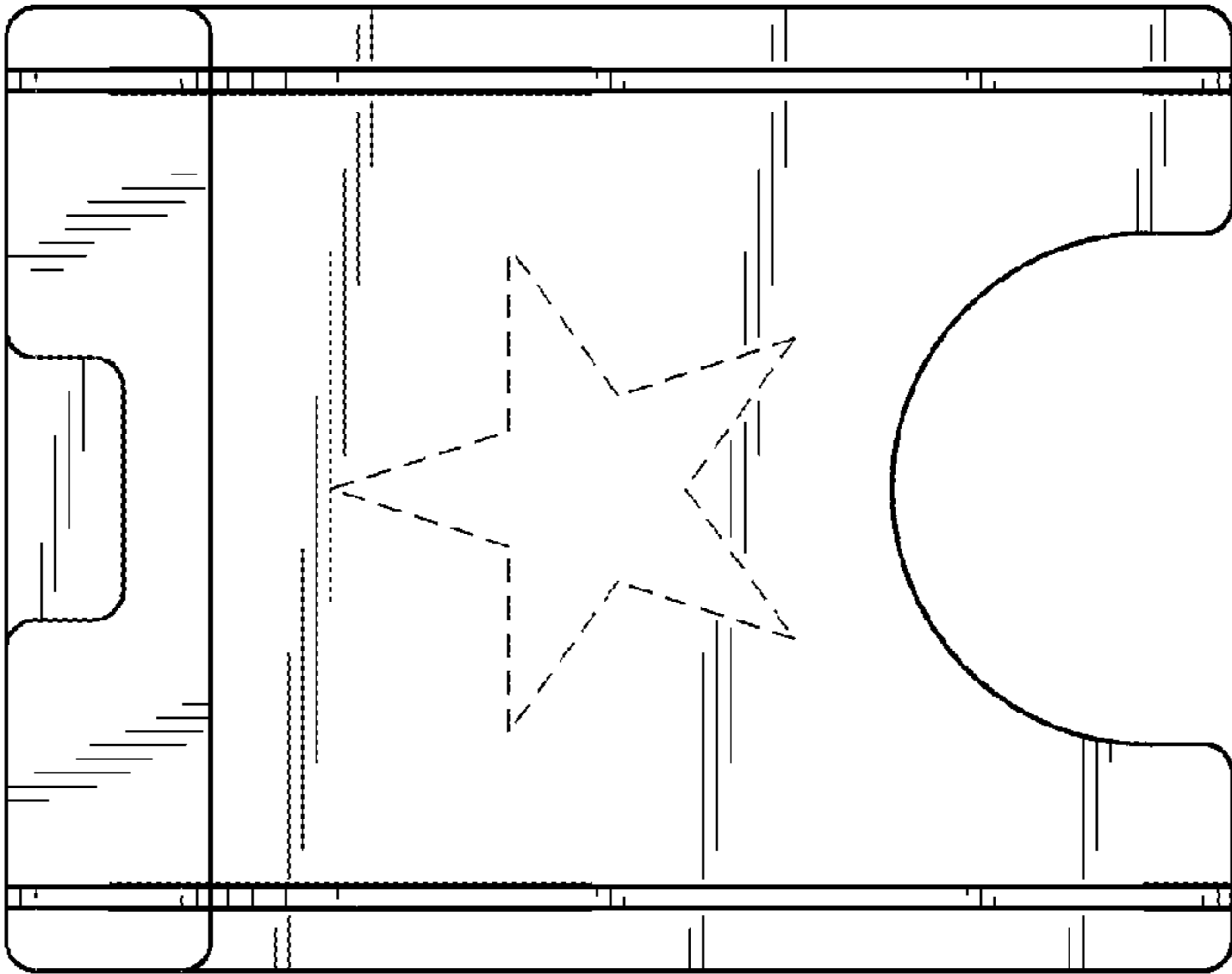


FIG. 4

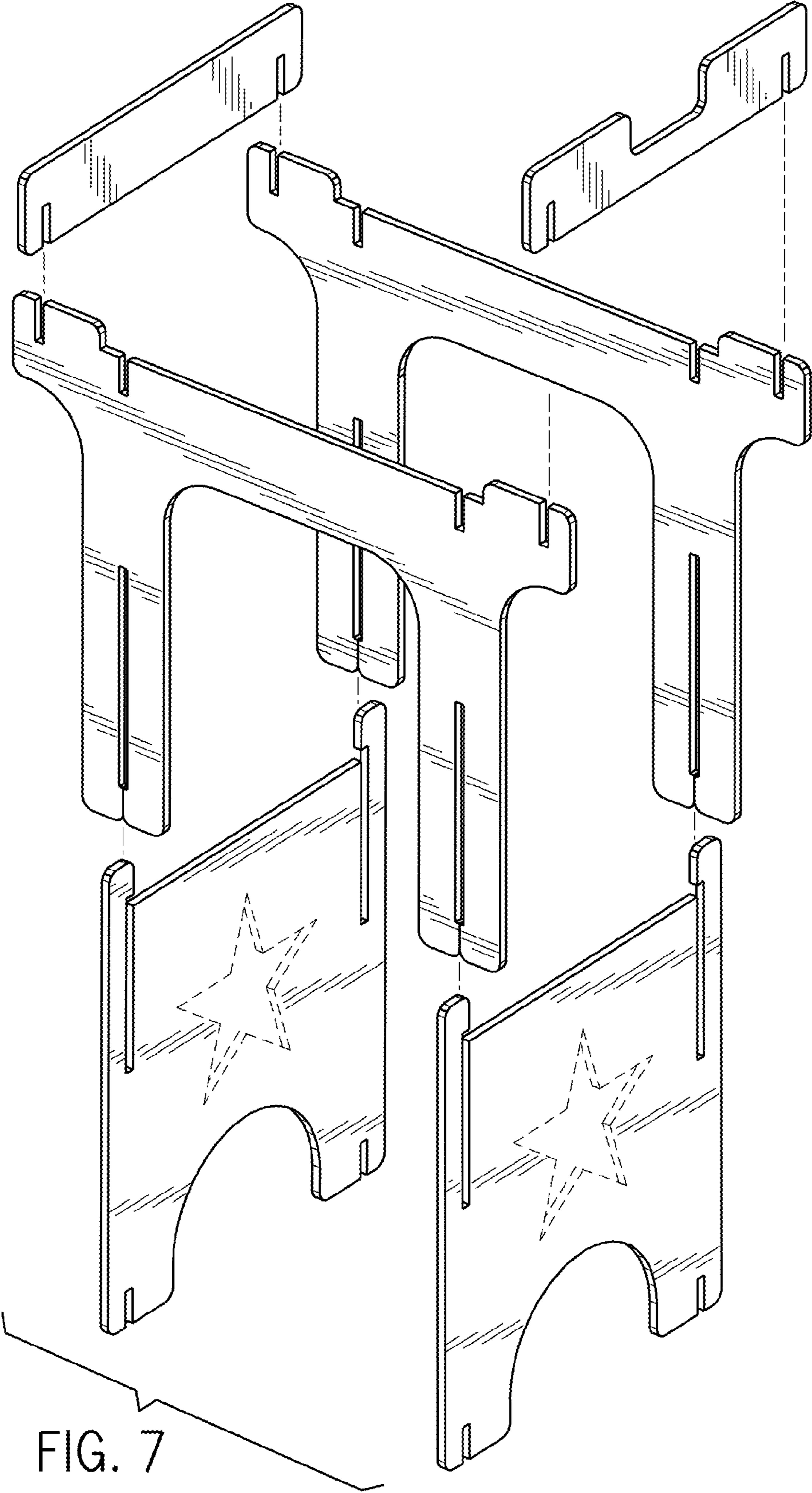


FIG. 7