

US00D75999S

(12) **United States Design Patent**
Rege

(10) **Patent No.:** **US D759,999 S**
(45) **Date of Patent:** **** Jun. 28, 2016**

(54) **TWO TIERED BOOT TRAY**
(71) Applicant: **Vishal Durgadutt Rege**, New Delhi (IN)
(72) Inventor: **Vishal Durgadutt Rege**, New Delhi (IN)
(**) Term: **15 Years**
(21) Appl. No.: **29/529,213**

7,367,136 B1 5/2008 D'Antonio
D577,172 S * 9/2008 Coderre D34/12
D657,588 S * 4/2012 Snider D6/705.6
D721,904 S * 2/2015 Tsai D6/675.5
2003/0085188 A1 5/2003 Klein
2003/0178383 A1 9/2003 Craft et al.
2004/0118796 A1 6/2004 Chen
2004/0188367 A1 9/2004 Pleiman et al.
2005/0205499 A1 9/2005 Botner
2008/0073300 A1 3/2008 Abraitis

(22) Filed: **Jun. 4, 2015**
(51) **LOC (10) Cl.** **06-06**
(52) **U.S. Cl.**
USPC **D6/675.1**
(58) **Field of Classification Search**
USPC D6/675, 675.1, 681, 681.2, 682
CPC A47B 87/0207; A47B 87/0215; A47B
87/0223; B65D 21/00
See application file for complete search history.

FOREIGN PATENT DOCUMENTS

EP 0101647 A2 2/1984

OTHER PUBLICATIONS

Lee Valley and Veritas. (Dec. 9, 2011). Two-Tier Boot Tray. Retrieved on Feb. 23, 2016 via the Wayback Machine at <<https://web.archive.org/web/20111209113012/http://www.leevalley.com/us/garden/page.aspx?p=62086&cat=2,51676&ap=1>>.

* cited by examiner

Primary Examiner — Kelley Donnelly

(74) *Attorney, Agent, or Firm* — Brian S. Steinberger; Law Offices of Brian S. Steinberger, P.A.

(56) **References Cited**

U.S. PATENT DOCUMENTS

322,987 A 7/1885 Smith
328,487 A 10/1885 Hendryx
508,602 A 11/1893 Danner
710,790 A 10/1902 Magerhans
716,596 A 12/1902 Taussig
720,452 A 2/1903 Mancha
1,095,814 A 5/1914 Champion
1,661,098 A 2/1928 Side
D80,453 S 2/1930 Pieri
3,170,415 A 2/1965 Svilokos
4,595,107 A * 6/1986 Welsch A47B 57/265
108/147.13
4,635,563 A 1/1987 Hand et al.
4,843,975 A 7/1989 Welsch et al.
4,940,150 A 7/1990 Spengler
4,949,648 A * 8/1990 Miller A47B 47/024
108/107
D354,382 S * 1/1995 Mogensen D34/17
5,722,544 A 3/1998 Williams
5,833,250 A 11/1998 Schier et al.
D429,071 S 8/2000 Hurt
D553,688 S * 10/2007 Bonaventura D19/92
D555,871 S * 11/2007 Pong D34/17

(57) **CLAIM**

The ornamental design for a two tiered boot tray, as shown and described.

DESCRIPTION

FIG. 1 is an upper front right perspective view of the two tiered boot tray showing our new design;
FIG. 2 is an upper rear right perspective view thereof;
FIG. 3 is a front side view thereof;
FIG. 4 is a rear side view thereof;
FIG. 5 is a top view thereof;
FIG. 6 is a bottom view thereof;
FIG. 7 is a left side view thereof;
FIG. 8 is a right side view thereof; and,
FIG. 9 is an exploded view thereof.

1 Claim, 9 Drawing Sheets

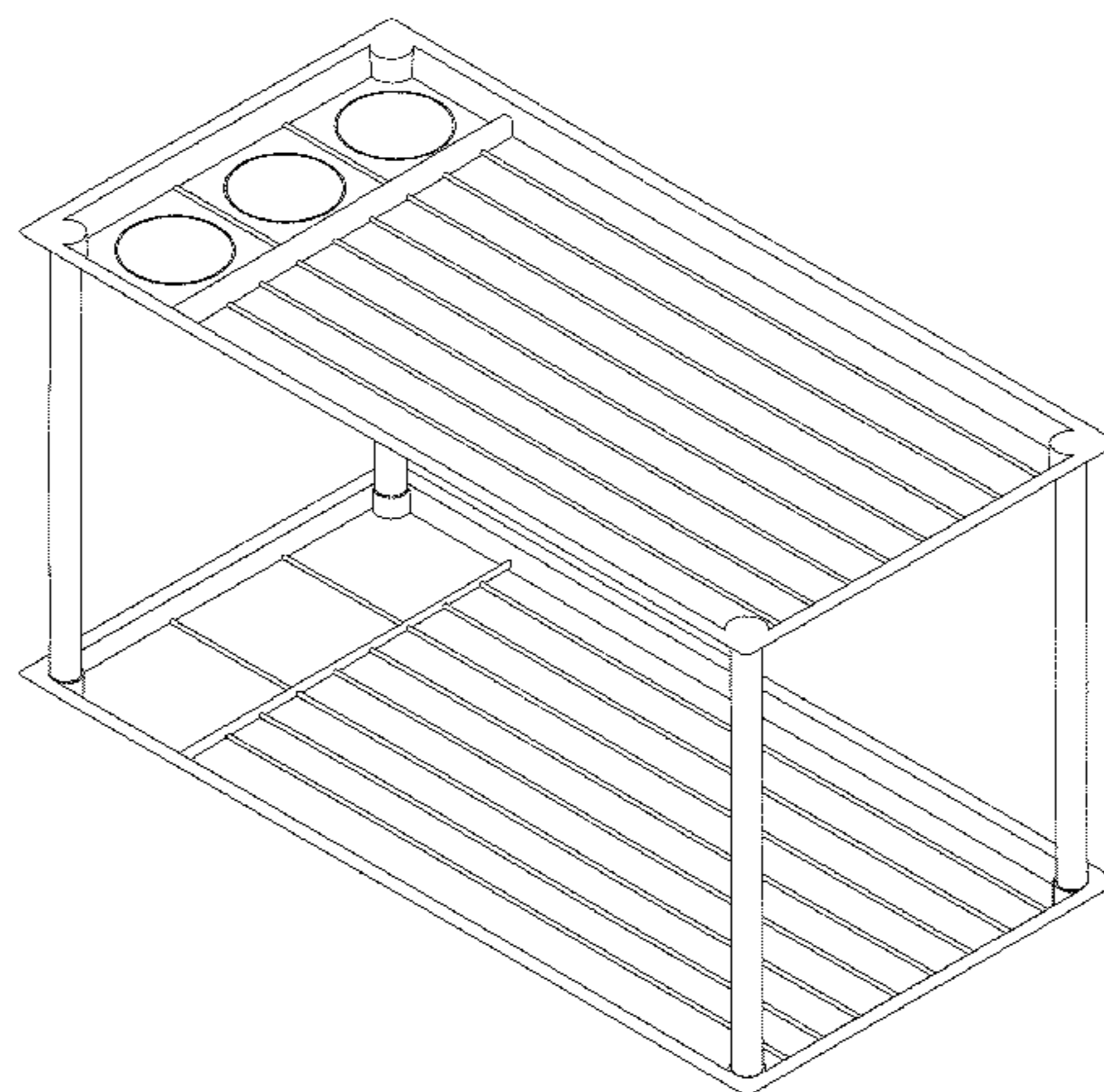


FIG. 1

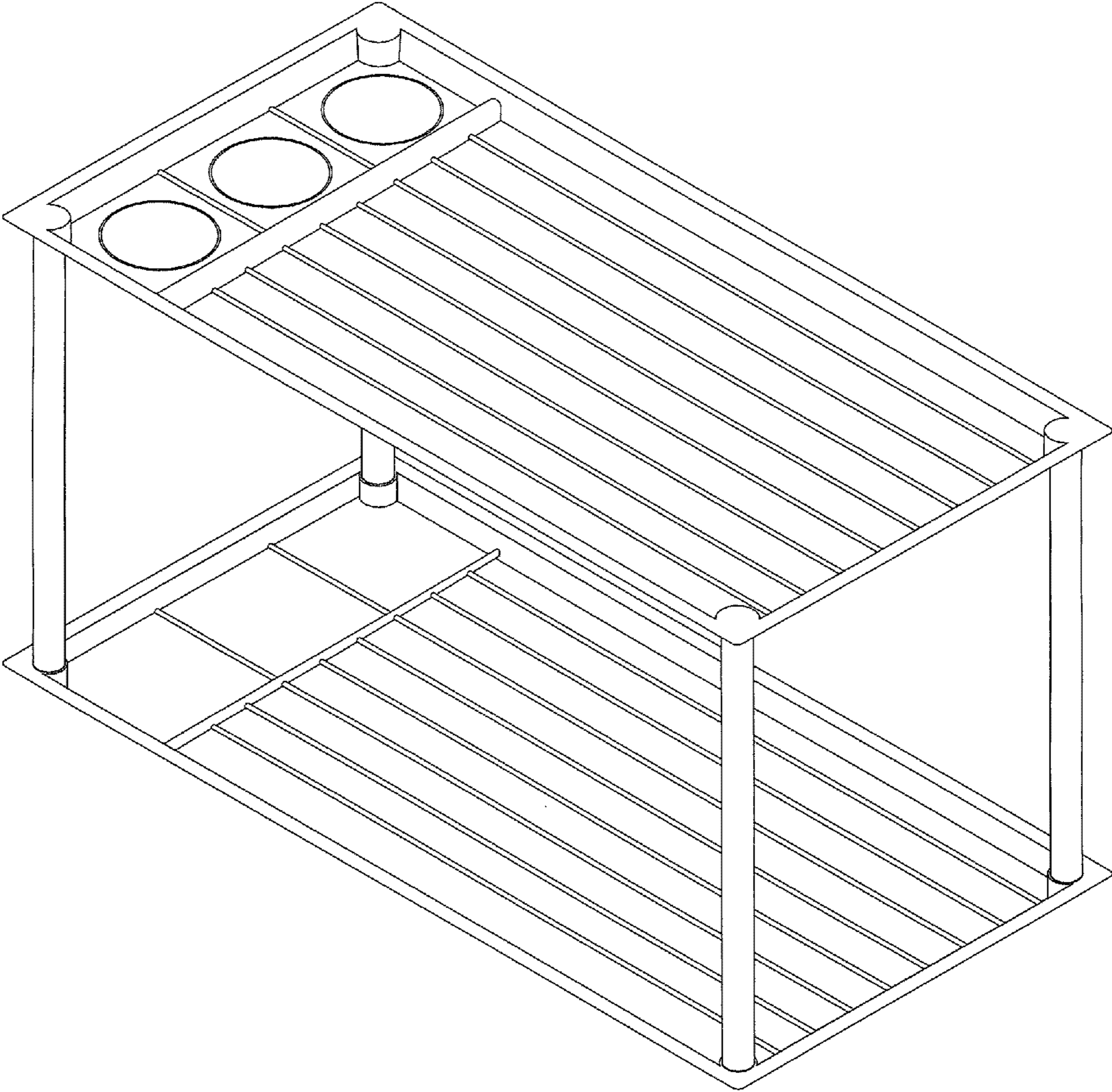


FIG. 2

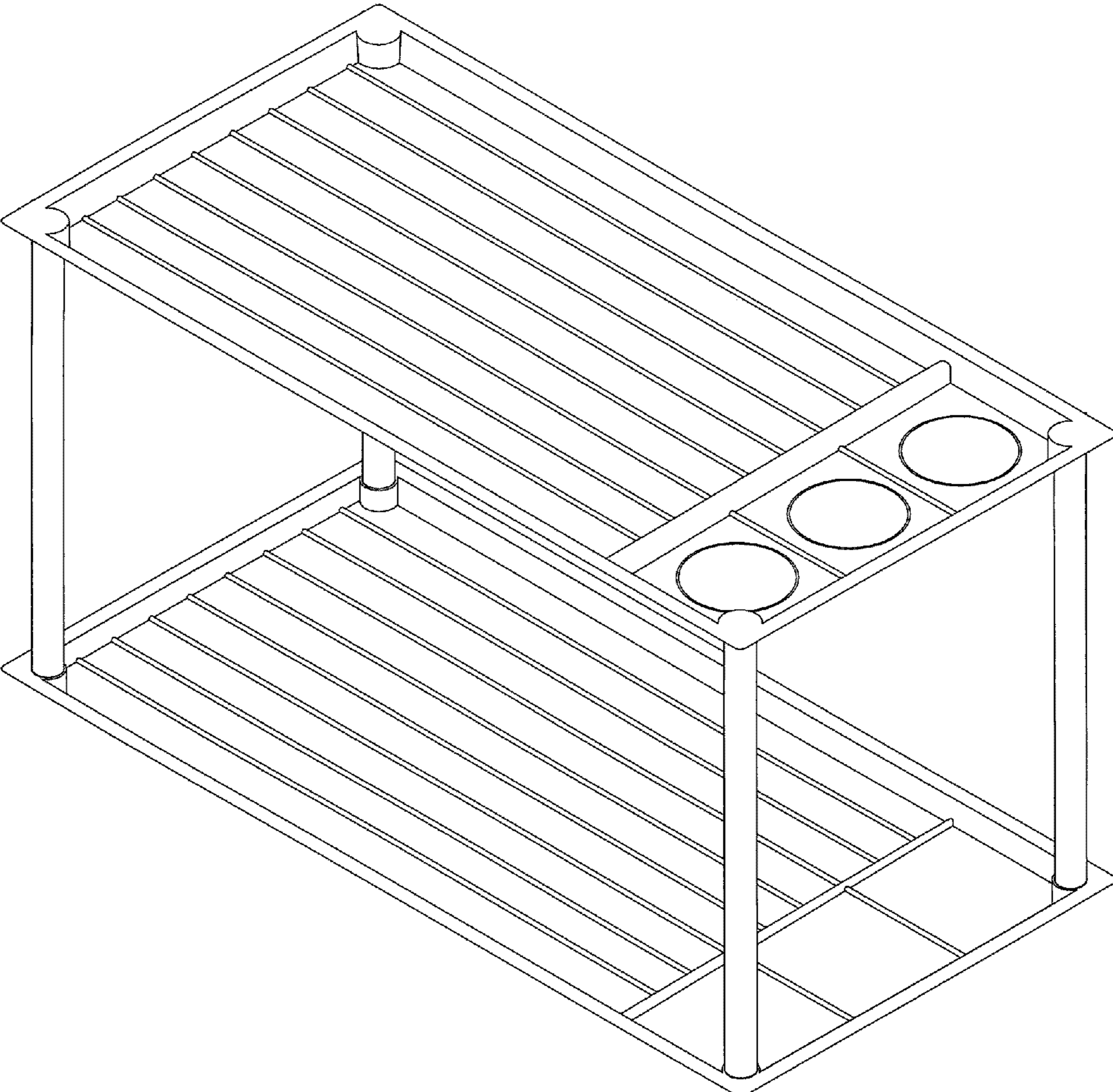


FIG. 3

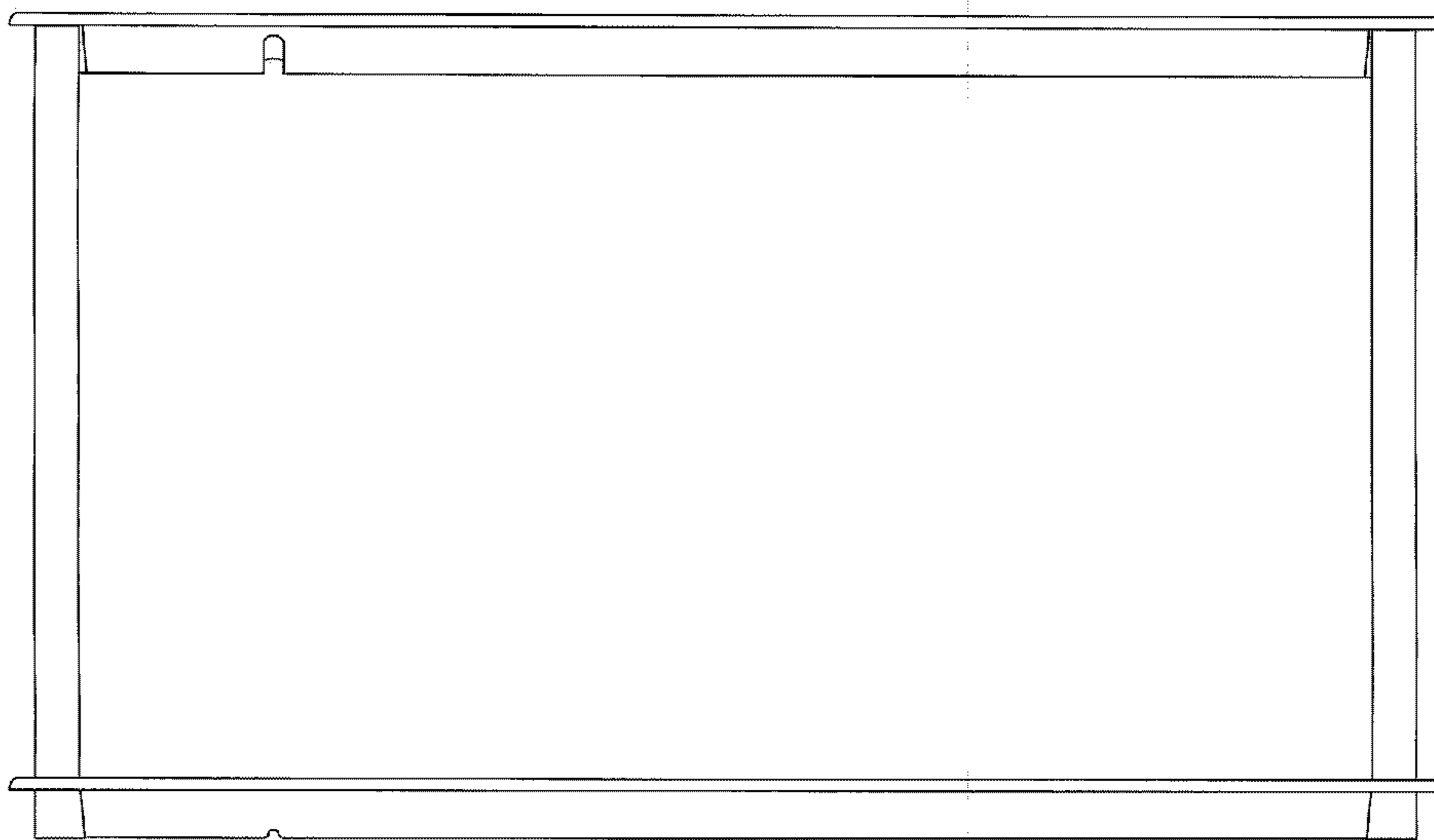


FIG. 4

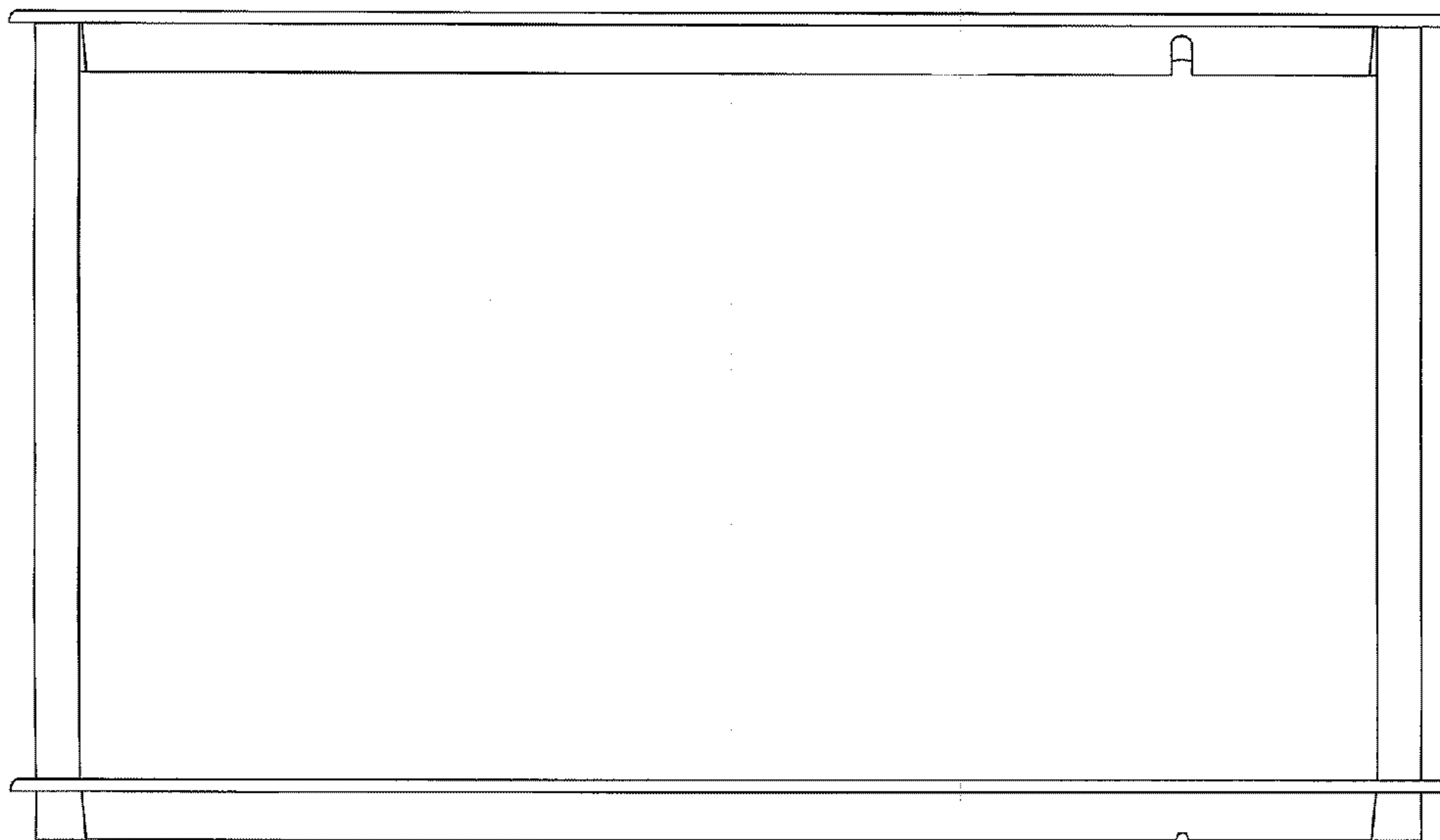


FIG. 5

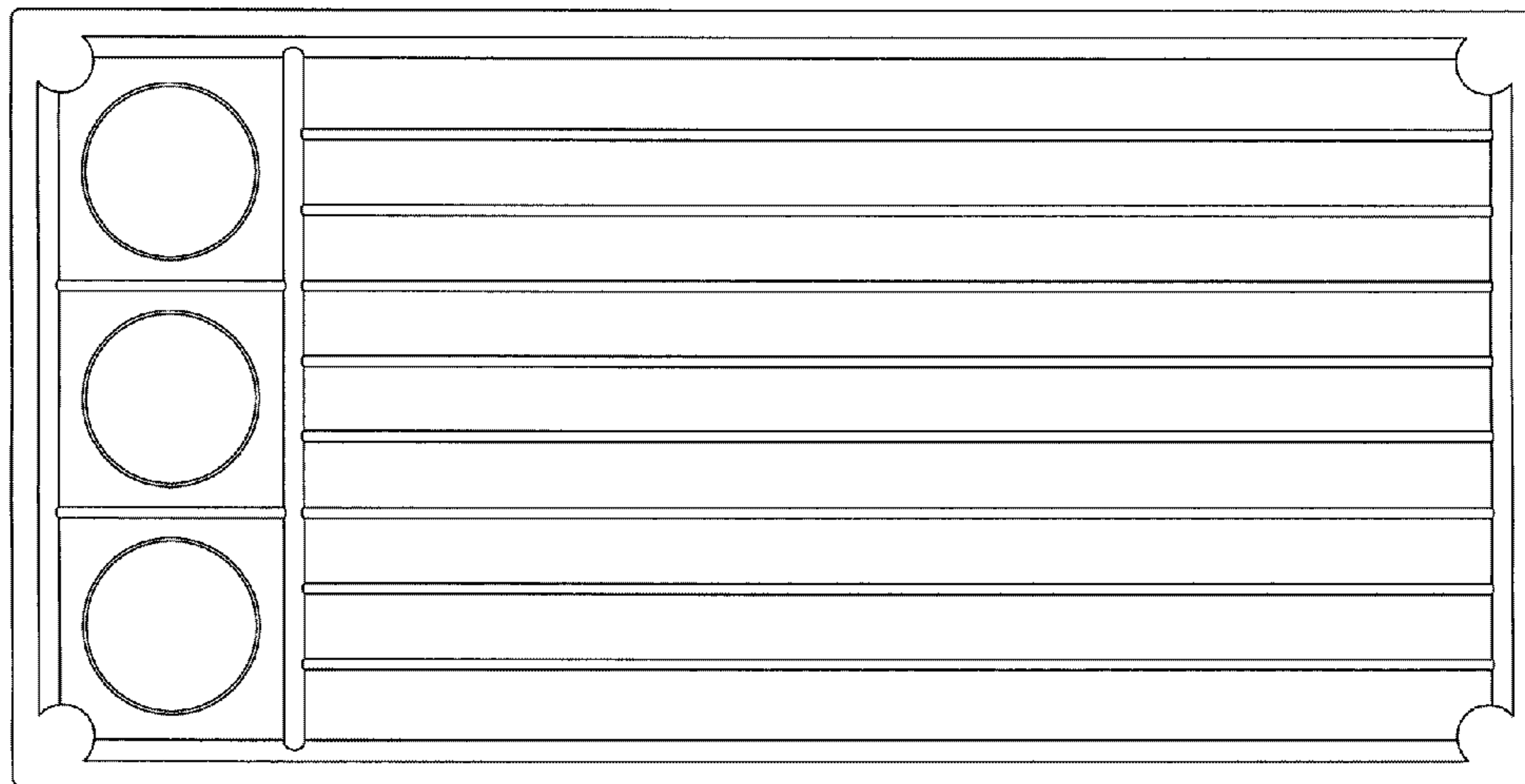


FIG. 6

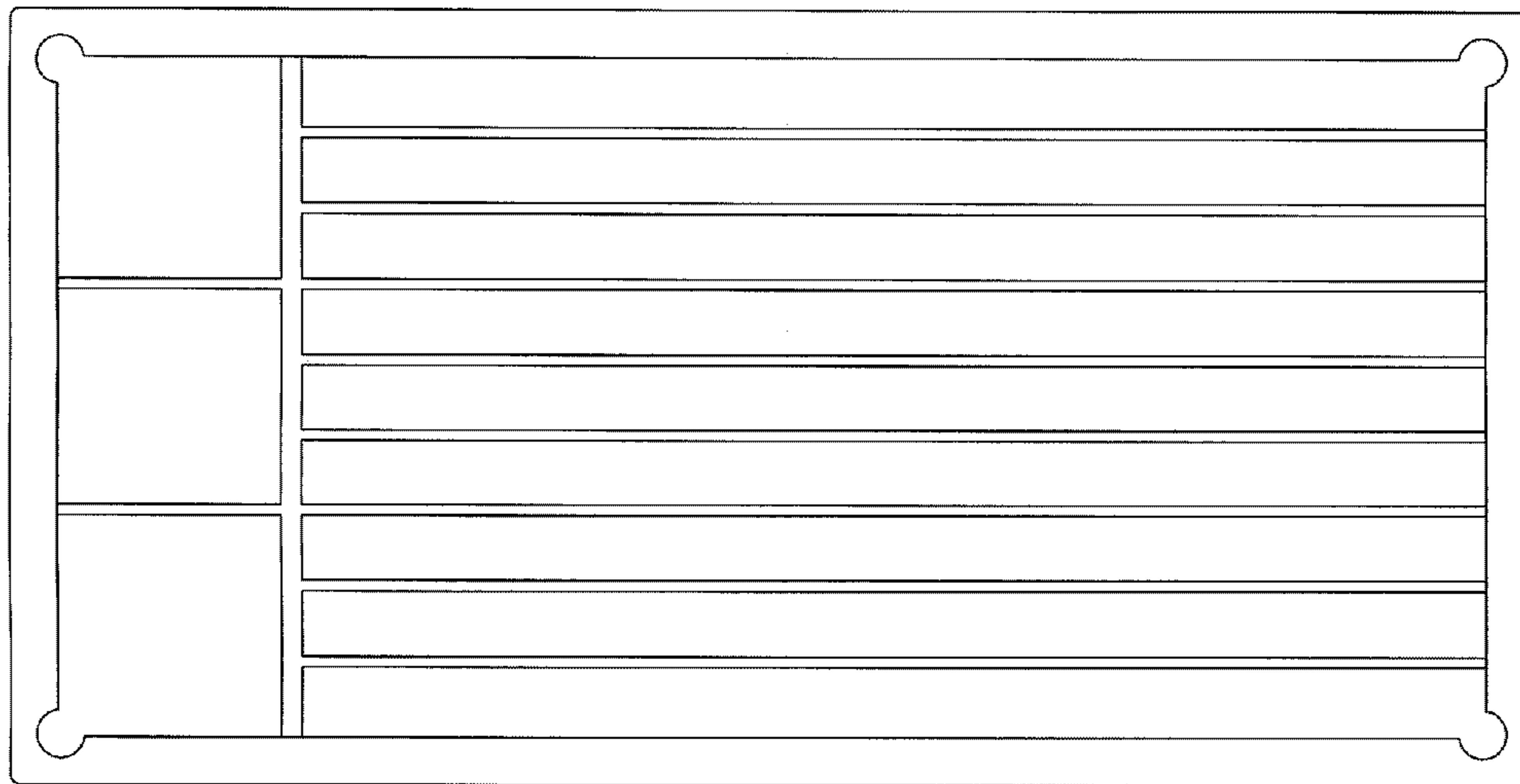


FIG. 7

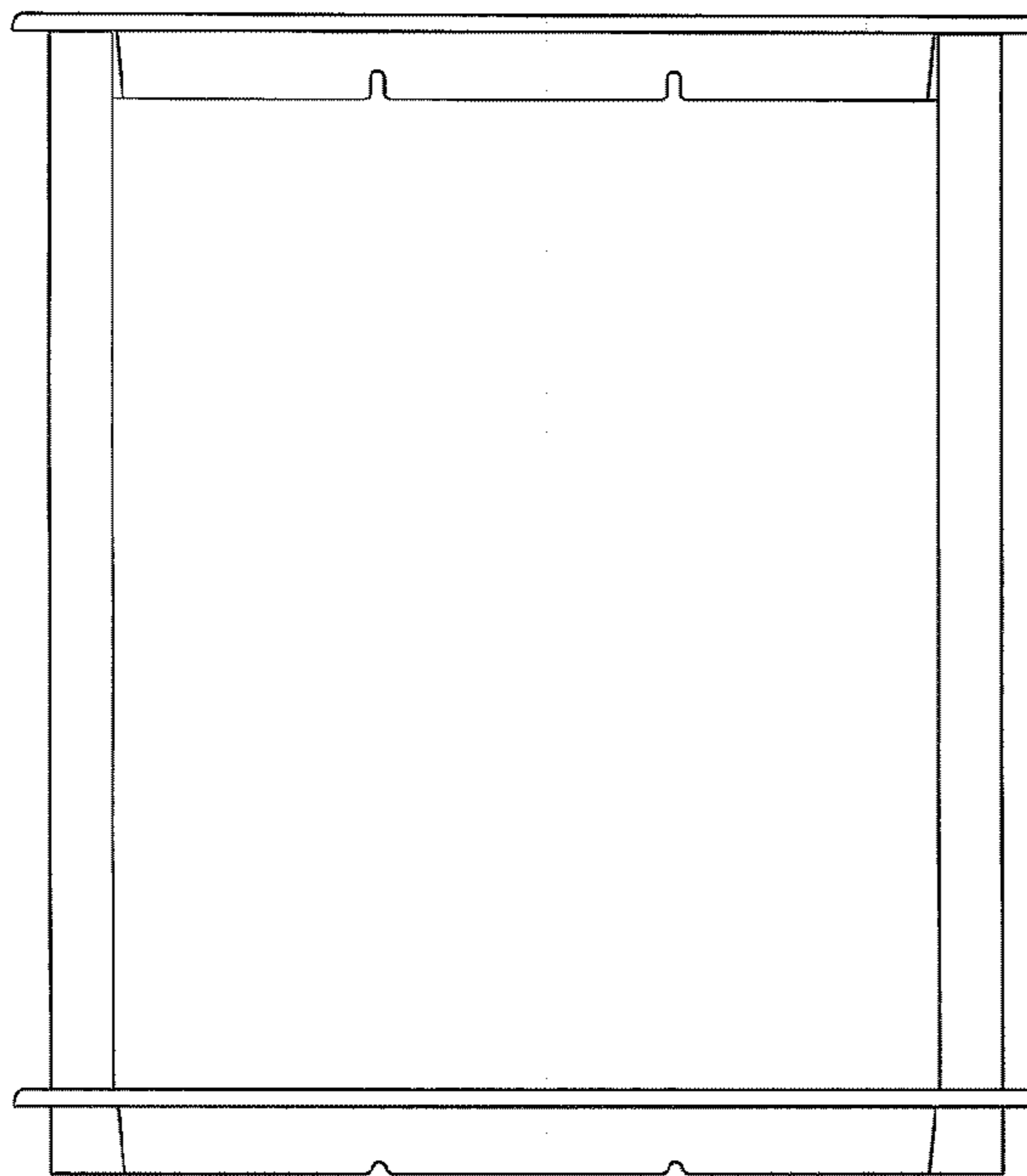


FIG. 8

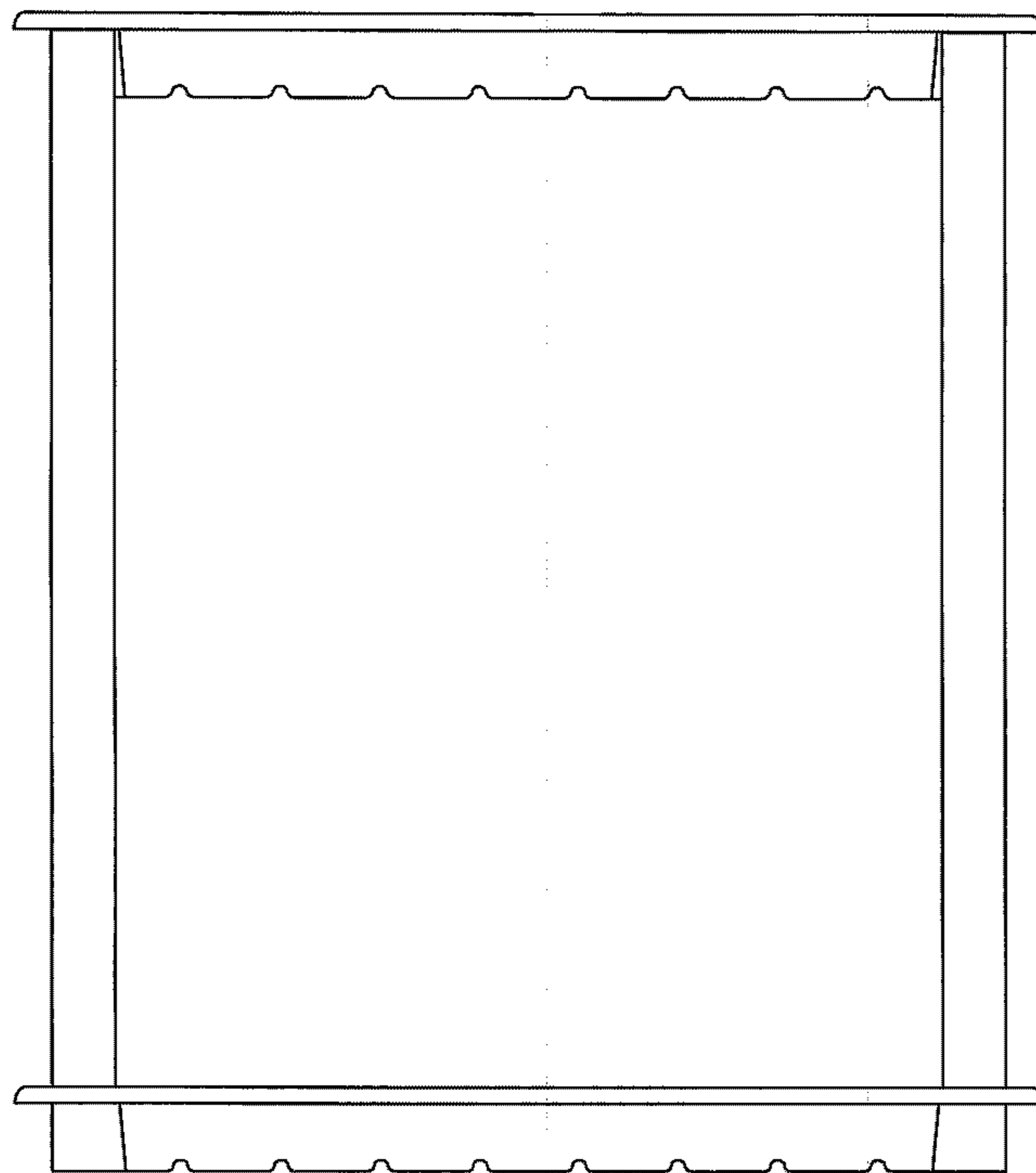


FIG. 9

