



US00D75998S

(12) **United States Design Patent**
Mason

(10) **Patent No.:** **US D759,998 S**
(45) **Date of Patent:** **** Jun. 28, 2016**

- (54) **COUNTER TOP DISPLAY UNIT**
- (71) Applicant: **NEW DIMENSIONS RESEARCH CORPORATION**, Melville, NY (US)
- (72) Inventor: **Timothy L. Mason**, Melville, NY (US)
- (73) Assignee: **New Dimensions Research Corporation**, Melville, NY (US)
- (**) Term: **14 Years**
- (21) Appl. No.: **29/512,799**
- (22) Filed: **Dec. 23, 2014**
- (51) **LOC (10) Cl.** **06-06**
- (52) **U.S. Cl.**
USPC **D6/675.1**
- (58) **Field of Classification Search**
USPC D6/672, 675, 675.1, 641-642, 654,
D6/655-655.1
CPC A47B 96/02; A47F 5/0018
See application file for complete search history.

5,975,660 A	11/1999	Tisbo et al.	
6,099,092 A	8/2000	Uffner et al.	
6,202,867 B1	3/2001	Di Blasi et al.	
D451,024 S	11/2001	Glauth et al.	
6,474,759 B2	11/2002	Hsu	
6,520,356 B2	2/2003	Miller, Jr.	
6,695,418 B2	2/2004	Skov et al.	
6,752,278 B2	6/2004	Craft et al.	
6,764,144 B2	7/2004	Insalaco et al.	
D520,265 S	5/2006	Sparkowski	
D537,655 S	3/2007	Hessell	
D541,558 S	5/2007	Meyer et al.	
7,293,785 B2	11/2007	Bush et al.	
D565,324 S	4/2008	Sparkowski	
D584,538 S	1/2009	Weigand et al.	
D615,777 S *	5/2010	Lee	D6/675.1
D635,801 S *	4/2011	Stubis	D6/675.1
D644,452 S	9/2011	Naples et al.	
8,079,313 B2	12/2011	Sparkowski	
D657,591 S	4/2012	Sanchez	
D676,686 S	2/2013	Lim	

(Continued)

Primary Examiner — Kelley Donnelly
(74) *Attorney, Agent, or Firm* — Collard & Roe, P.C.

(57) **CLAIM**
The ornamental design for a counter top display unit, as shown and described.

(56) **References Cited**

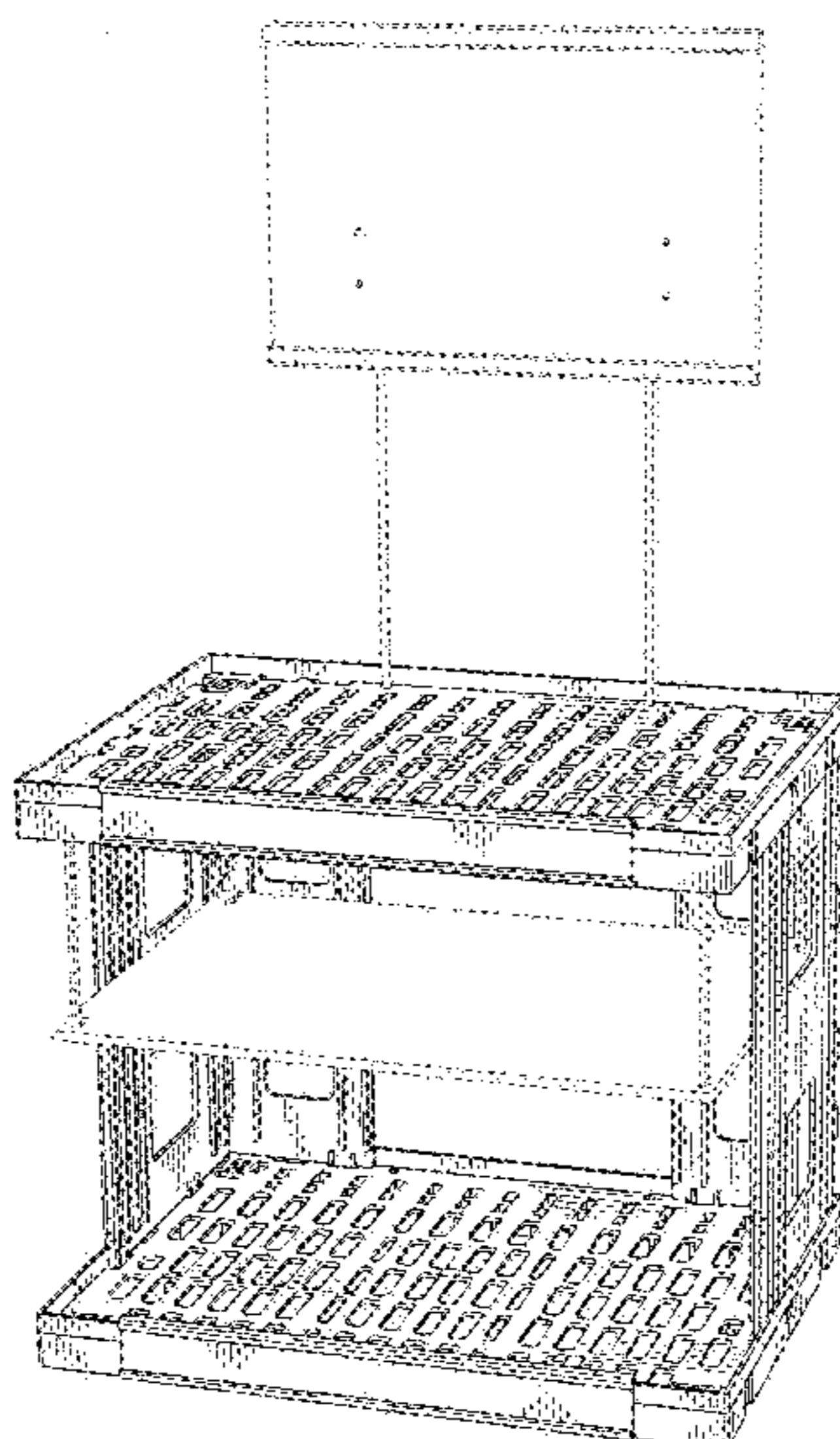
U.S. PATENT DOCUMENTS

D150,315 S *	7/1948	Richards	D6/675.1
2,483,606 A	10/1949	Albach et al.	
2,934,214 A	4/1960	Mogulescu et al.	
3,788,241 A	1/1974	Ravreby	
4,125,304 A	11/1978	Ebert	
4,127,072 A *	11/1978	LePon	A47B 47/04 108/157.13
4,428,487 A	1/1984	Hepp	
4,474,416 A	10/1984	Rogahn	
4,691,644 A	9/1987	Frydman	
4,981,224 A	1/1991	Rushing	
5,238,128 A	8/1993	Stoddard	
5,240,127 A	8/1993	Levin et al.	
5,433,326 A	7/1995	Horian	
5,566,961 A	10/1996	Snell et al.	
5,590,939 A	1/1997	Piontek	
5,722,544 A	3/1998	Williams	

DESCRIPTION

FIG. 1 is a perspective view of the counter top display unit showing our new design;
FIG. 2 is a front elevational view thereof;
FIG. 3 is a rear elevational view thereof;
FIG. 4 is a right side elevational view thereof;
FIG. 5 is a left side elevational view thereof;
FIG. 6 is a top view thereof;
FIG. 7 is a bottom view thereof; and,
FIG. 8 is an exploded view thereof.
The elements shown in broken lines depict environmental structure only and form no part of the claimed design.

1 Claim, 7 Drawing Sheets



(56)

References Cited

U.S. PATENT DOCUMENTS

D676,687 S	*	2/2013	Lim	D6/675.1	D731,823 S	6/2015	Kelinske et al.
D716,080 S		10/2014	Bell et al.			2008/0061019 A1	3/2008	Lin et al.
D718,560 S	*	12/2014	Denby	D6/708	2008/0128319 A1	6/2008	Noble Colin et al.
						2009/0107939 A1	4/2009	Liao
						2013/0048588 A1	2/2013	Vilkomirski et al.

* cited by examiner

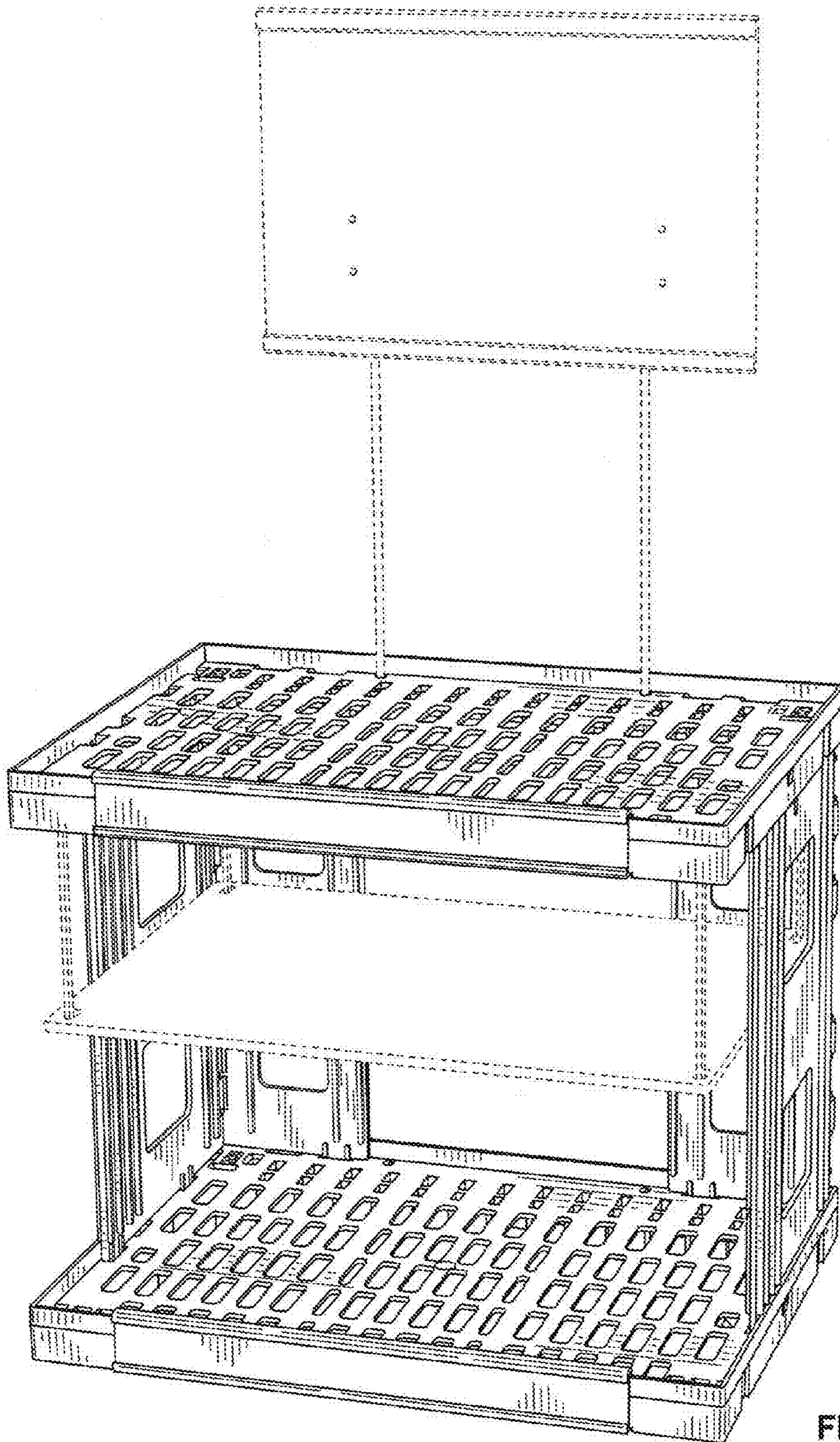


FIG. 1

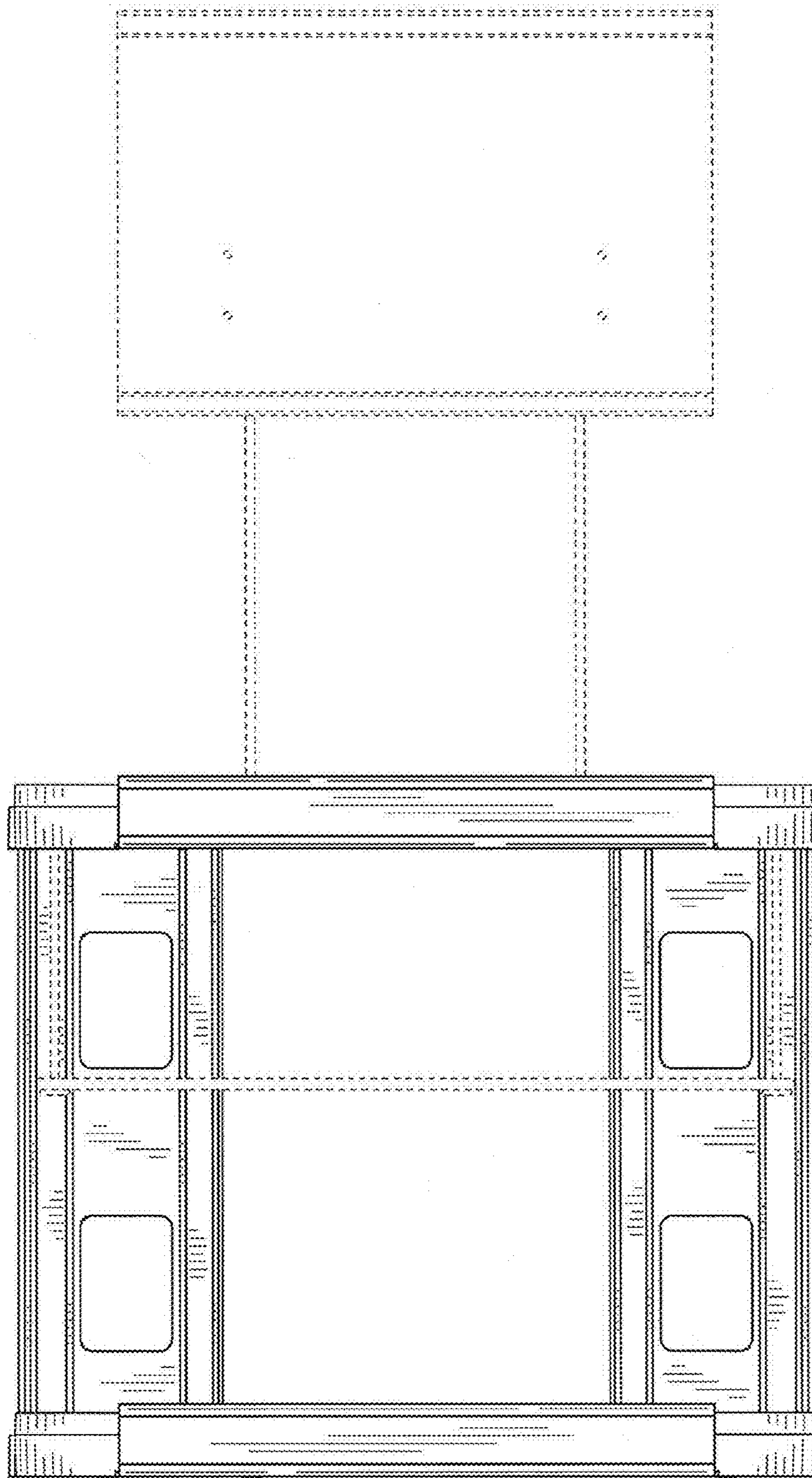


FIG. 2

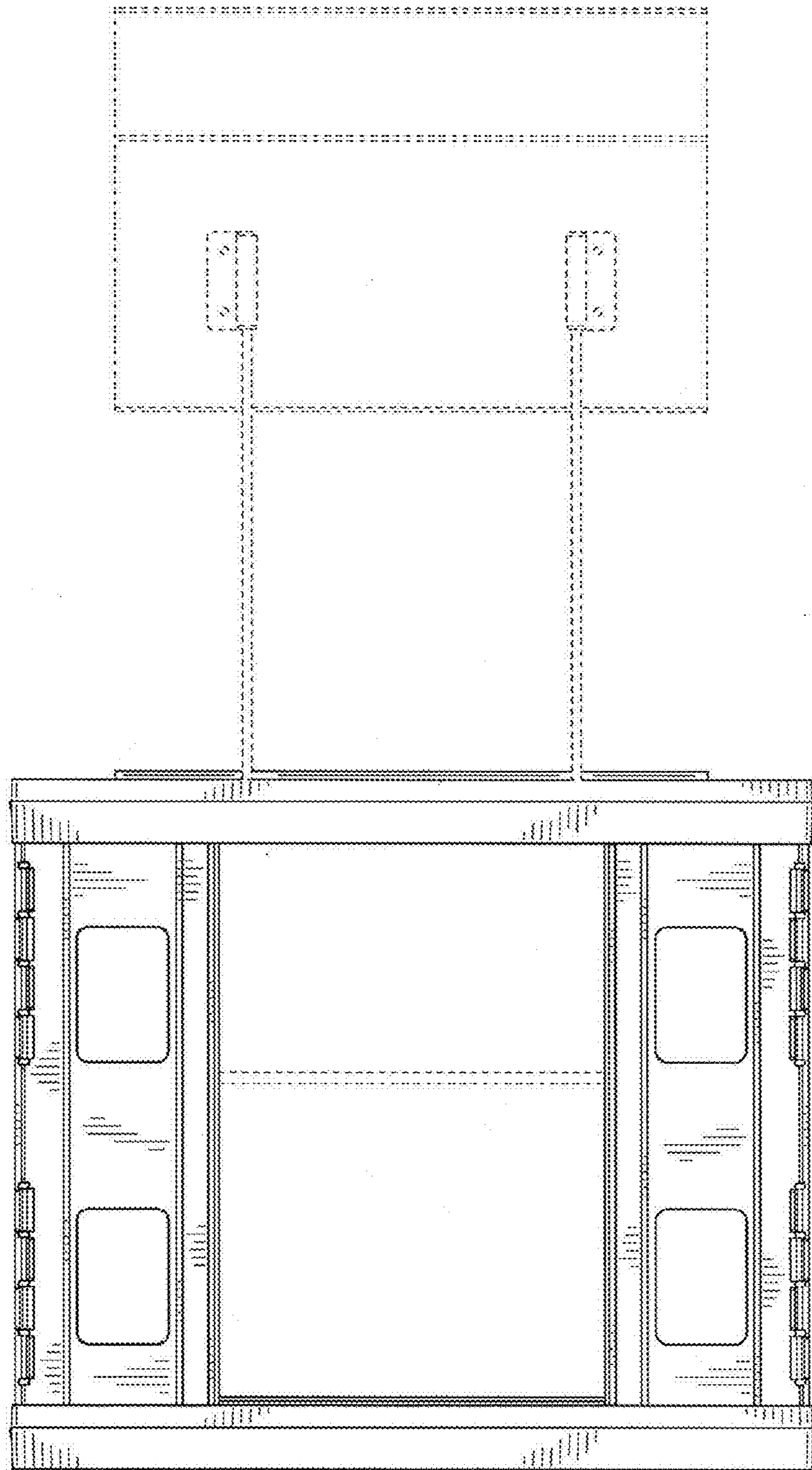


FIG. 3

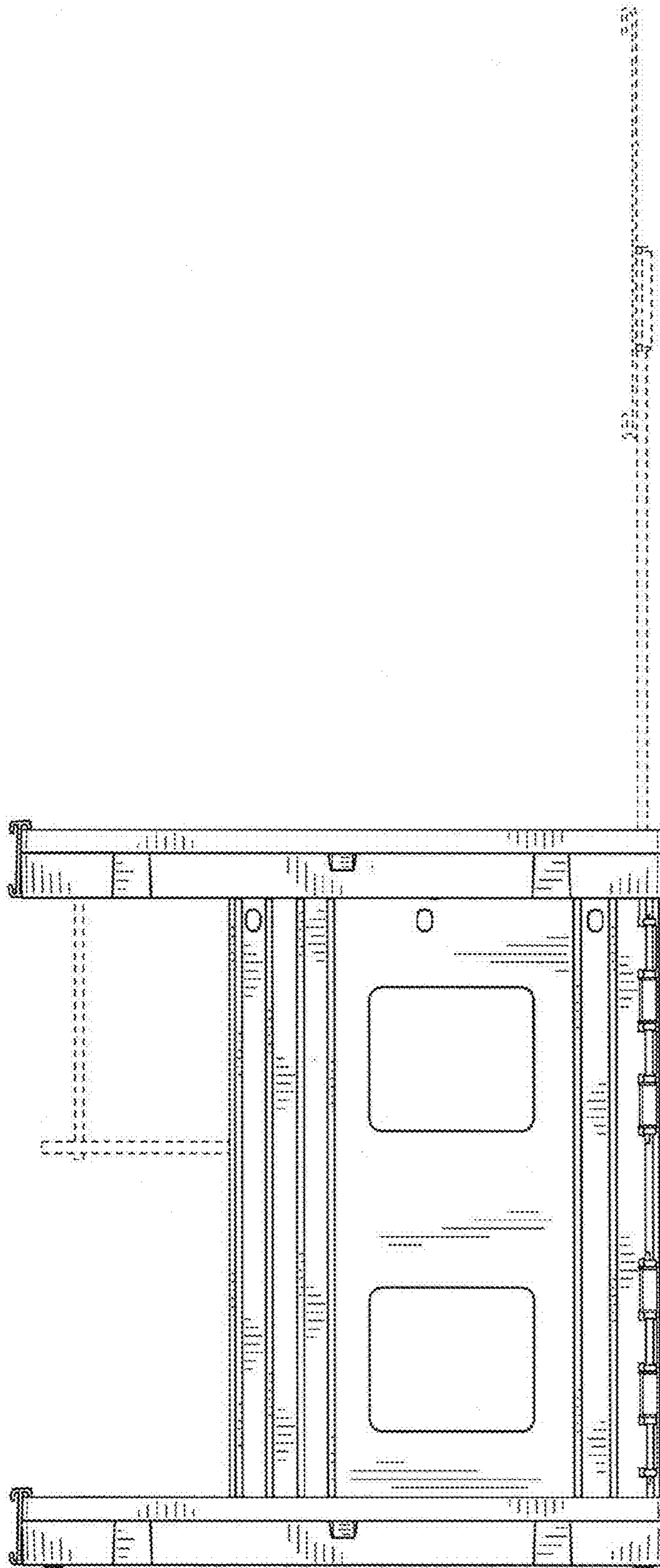


FIG. 4

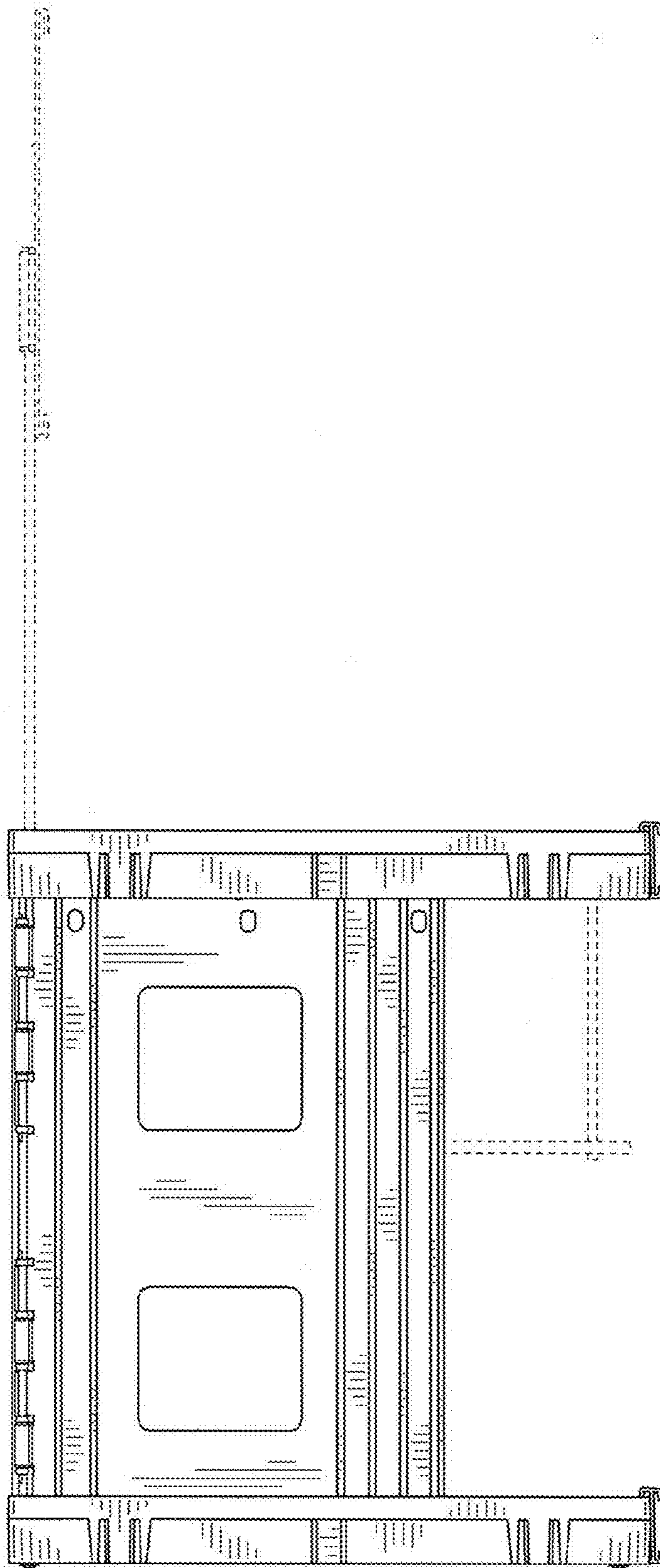


FIG. 5

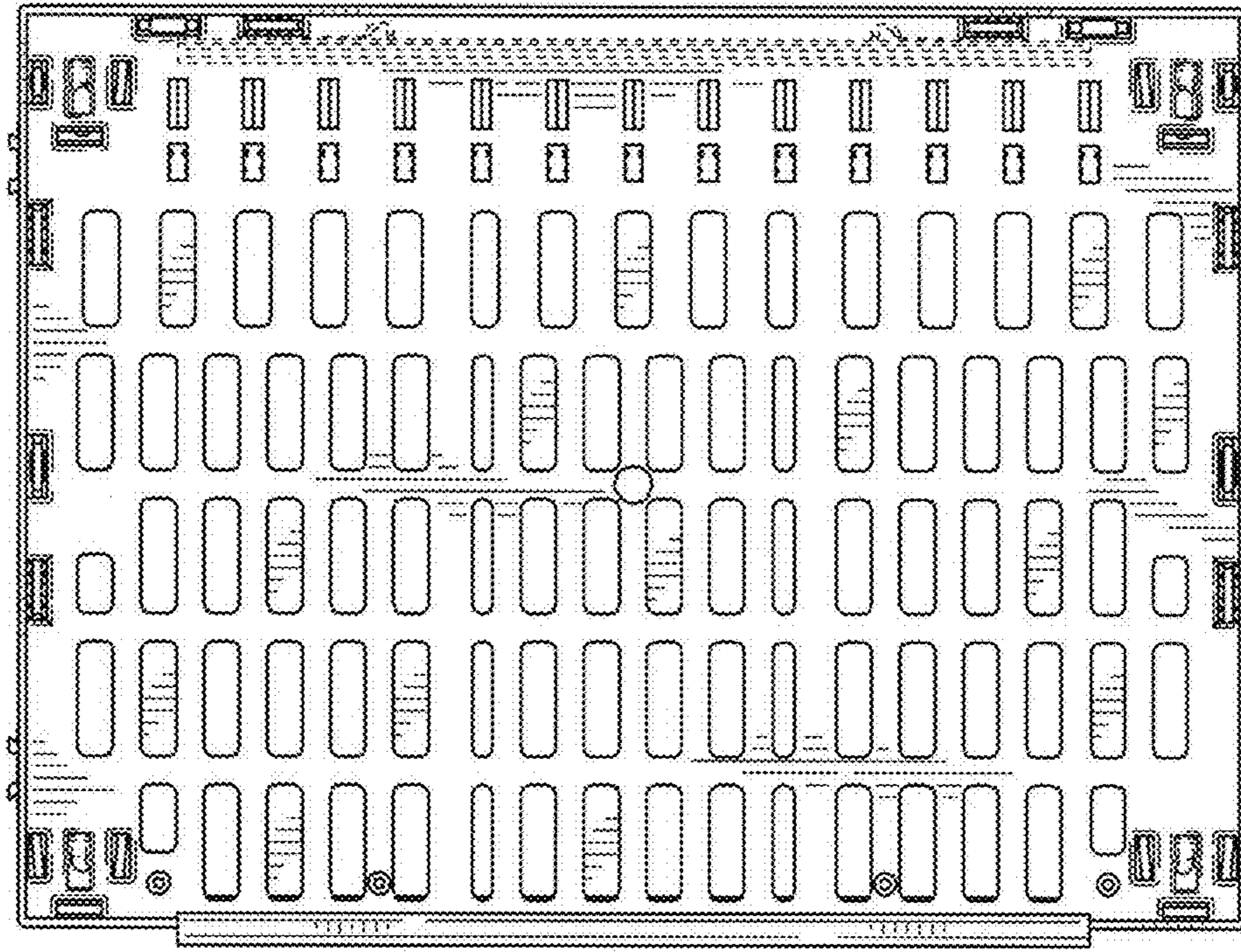


FIG. 6

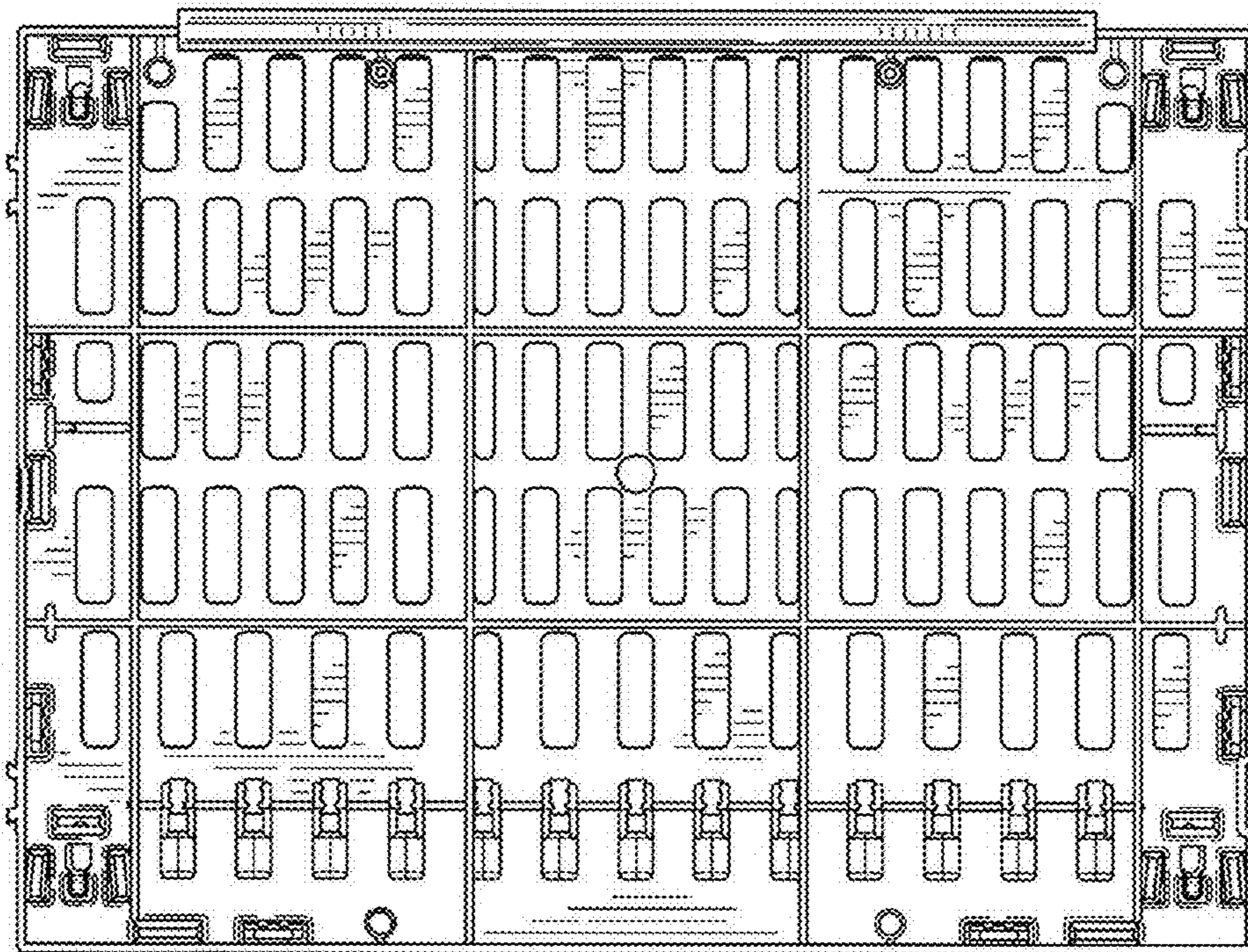


FIG. 7

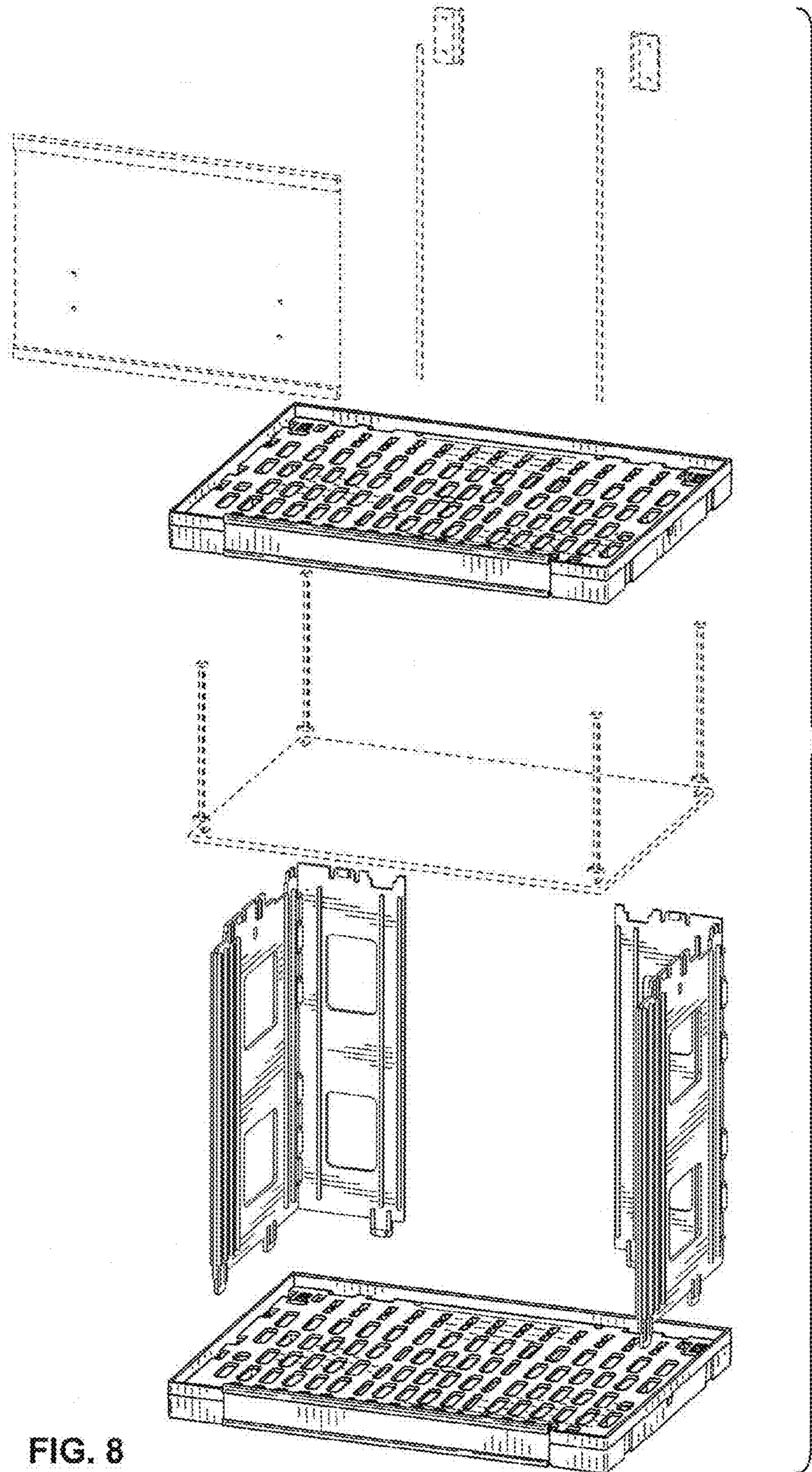


FIG. 8