



US00D759997S

(12) **United States Design Patent**
Ruiz et al.

(10) **Patent No.:** **US D759,997 S**
(45) **Date of Patent:** **** Jun. 28, 2016**

- (54) **3-TIER SHELVING UNIT**
- (71) Applicant: **Whitmor, Inc.**, Southaven, MS (US)
- (72) Inventors: **Milton D. Ruiz**, Germantown, TN (US);
Sandy Felsenthal, Memphis, TN (US)
- (73) Assignee: **Whitmor, Inc.**, Southaven, MS (US)
- (**) Term: **14 Years**
- (21) Appl. No.: **29/508,222**
- (22) Filed: **Nov. 4, 2014**
- (51) **LOC (10) Cl.** **06-06**
- (52) **U.S. Cl.**
USPC **D6/675.1**
- (58) **Field of Classification Search**
USPC D6/409-415, 449, 455-458, 461-465,
D6/466-468, 474, 476-479, 675, 675.1;
211/31.1, 85.26, 85.31, 85.4, 33, 134,
211/186-191, 194, 181.1
CPC A47B 55/00; A47B 57/00
See application file for complete search history.

- 4,637,323 A * 1/1987 Nicely A47B 57/26
108/107
- D291,165 S * 8/1987 Ray D6/675.2
- D292,658 S * 11/1987 Kester D6/675.2
- D301,413 S * 6/1989 Rosen D6/661
- 4,852,501 A * 8/1989 Olson A47B 57/265
108/107
- 4,955,490 A * 9/1990 Schafer A47B 96/02
211/187
- 4,964,350 A * 10/1990 Kolvites A47B 47/04
108/107
- D314,679 S * 2/1991 Kee D6/675.2
- D314,682 S * 2/1991 Kellems D6/574
- D319,362 S * 8/1991 Kellems D6/574
- D322,726 S * 12/1991 Rademacher D6/675.2
- 5,279,231 A * 1/1994 Kolvites A47B 57/545
108/107
- D364,055 S * 11/1995 Pakla D6/675.1
- D378,331 S * 3/1997 Allendorph D6/552
- 5,628,415 A * 5/1997 Mulholland A47B 47/027
211/186
- D404,937 S * 2/1999 Tarlow D6/675.1
- 5,913,270 A * 6/1999 Price A47J 37/0763
108/101
- 5,924,581 A * 7/1999 Chen A47B 57/265
108/107

(Continued)

Primary Examiner — Kelley Donnelly
(74) *Attorney, Agent, or Firm* — Husch Blackwell LLP

(57) **CLAIM**

The ornamental design for a 3-tier shelving unit, as shown and described.

DESCRIPTION

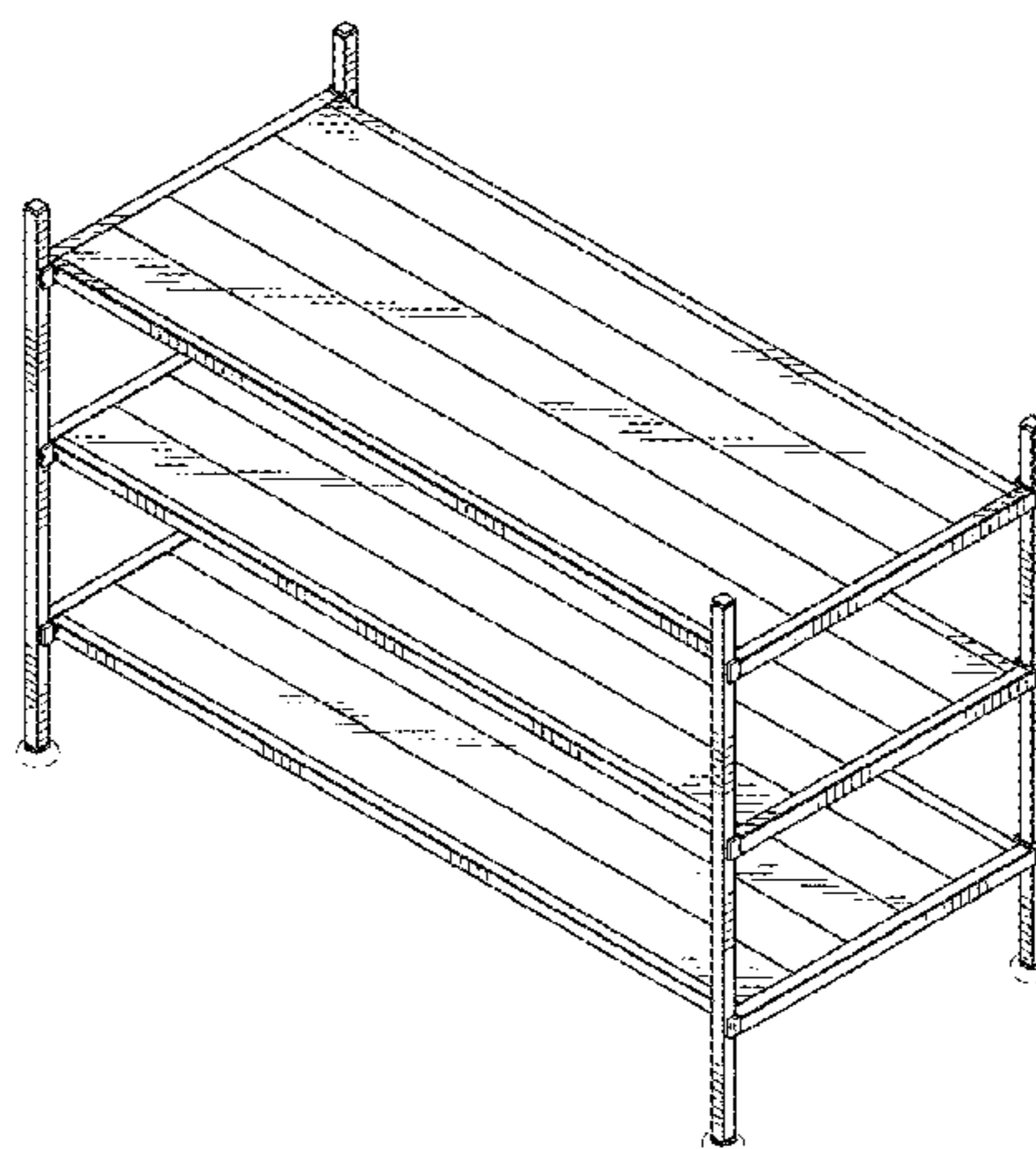
FIG. 1 is a top perspective view of a 3-tier shelving unit showing the new design;
FIG. 2 is a top plan view of the 3-tier shelving unit shown in FIG. 1;
FIG. 3 is a bottom plan view of the 3-tier shelving unit shown in FIG. 1;
FIG. 4 is a right side elevation view of the 3-tier shelving unit shown in FIG. 1 (the left side elevation view of the 3-tier shelving unit is a mirror image of the view shown in FIG. 4); and,
FIG. 5 is a front elevation view of the 3-tier shelving unit shown in FIG. 1 (the rear elevation view of the 3-tier shelving unit is a mirror image of the view showing in FIG. 5).
The broken lines shown in the drawing views are included for the purpose of showing environmental structure that forms no part of the claimed design.

1 Claim, 3 Drawing Sheets

(56) **References Cited**

U.S. PATENT DOCUMENTS

- 2,714,540 A * 8/1955 Diehm A47B 3/12
108/155
- 3,042,221 A * 7/1962 Rasmussen A47B 57/50
211/182
- 3,146,734 A * 9/1964 Kesilman A47F 5/13
108/181
- 3,266,635 A * 8/1966 McConnell A47B 57/402
211/187
- 3,285,428 A * 11/1966 Scheck A47B 57/06
211/182
- 3,463,325 A * 8/1969 Rogers A47B 57/00
211/187
- 4,078,664 A * 3/1978 McConnell A47B 96/00
108/159
- 4,257,333 A * 3/1981 Pollack A47B 57/265
108/147.13
- D278,196 S * 4/1985 Koves D6/675.2
- 4,635,563 A * 1/1987 Hand A47B 96/024
108/107



(56)

References Cited

U.S. PATENT DOCUMENTS

D424,836 S *	5/2000	Kopala, Jr.	D6/675.2
6,079,575 A *	6/2000	Wang	A47B 57/265 108/110
6,105,798 A *	8/2000	Gruber	B65G 1/02 211/151
D432,820 S *	10/2000	Walters-Dowding	D6/675.2
6,173,846 B1 *	1/2001	Anderson	A47B 47/027 211/183
D440,793 S *	4/2001	Iannaccone	D6/691.6
D444,975 S *	7/2001	West	D6/574
6,260,488 B1 *	7/2001	Yang	A47B 57/545 108/107
6,422,406 B1 *	7/2002	Kessel	A47B 47/03 211/181.1
D471,033 S *	3/2003	Yamaguchi	D6/675.2
D471,381 S *	3/2003	Yamaguchi	D6/675.2
6,561,107 B1 *	5/2003	Wood	A47B 3/0812 108/132
D485,092 S *	1/2004	Rosen	D6/675.2
D501,738 S *	2/2005	Clucas	D6/675.2
6,899,237 B2 *	5/2005	Trent	A47C 19/005 211/184
D528,342 S *	9/2006	Yu	D6/630
D538,058 S *	3/2007	Van Es	D3/298
D540,568 S *	4/2007	Clucas	D6/569
D543,056 S *	5/2007	Chou	D6/675.1
D568,635 S *	5/2008	Klein	D6/675.2
D569,180 S *	5/2008	Rathburn	D7/409
7,516,856 B2 *	4/2009	Lee	A47B 88/20 211/184
D597,342 S *	8/2009	Dickson	D6/675.2
D597,765 S *	8/2009	Weigand	D6/678.3
D602,712 S *	10/2009	Ho	D6/675.2
D617,580 S *	6/2010	Weigand	D6/675.2
D626,356 S *	11/2010	Ho	D6/675.2
7,891,507 B2 *	2/2011	Shetler	A47B 47/02 211/135
D637,427 S *	5/2011	Troyner	D6/705.6
D637,835 S *	5/2011	Molayem	D6/675.3
D657,979 S *	4/2012	Sokol	D6/675.1
D683,160 S *	5/2013	Williams	D6/675.1
D683,983 S *	6/2013	Troyner	D6/675.2
D693,608 S *	11/2013	Cheng	D6/675.1
D696,878 S *	1/2014	Murphy	D6/675.1
D703,467 S *	2/2014	Hsu	D6/675.1
D703,468 S *	4/2014	Ho	D6/675.1
D724,357 S *	3/2015	Lim	D6/675.1
D732,323 S *	6/2015	Ho	D6/675
D734,966 S *	7/2015	Greenspon	D6/675.2
D746,089 S *	12/2015	Hsu	D6/683
9,247,809 B1 *	2/2016	Hsu	A47B 47/0083
2003/0131767 A1 *	7/2003	Chen	A47B 57/265 108/147.13
2004/0065633 A1 *	4/2004	Chen	A47F 5/13 211/187
2009/0152225 A1 *	6/2009	Lee	A47B 47/024 211/187
2010/0181274 A1 *	7/2010	Vargo	A47B 57/50 211/187
2010/0300993 A1 *	12/2010	Ho	A47B 96/02 211/13.1

* cited by examiner

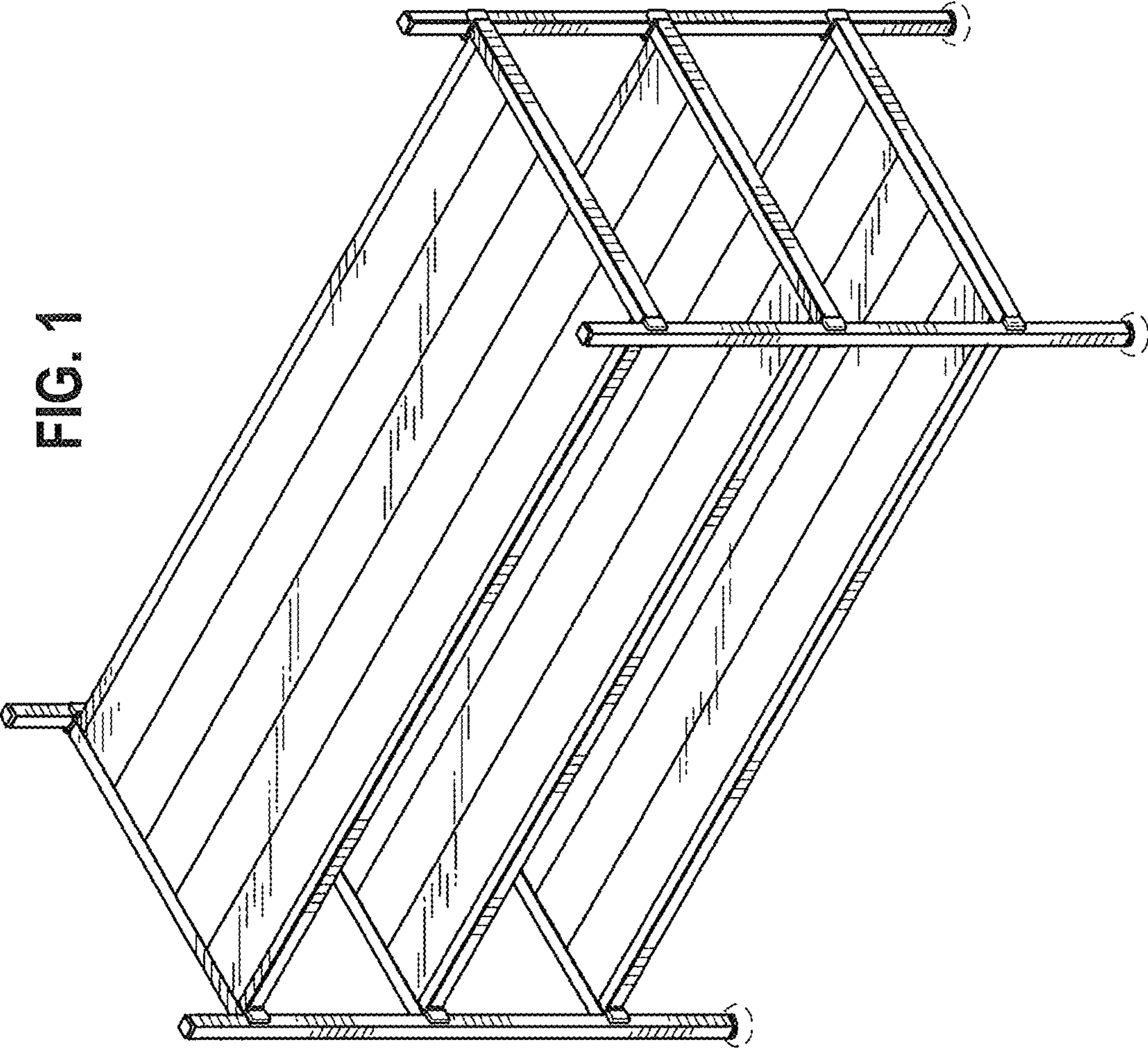


FIG. 1

FIG. 2

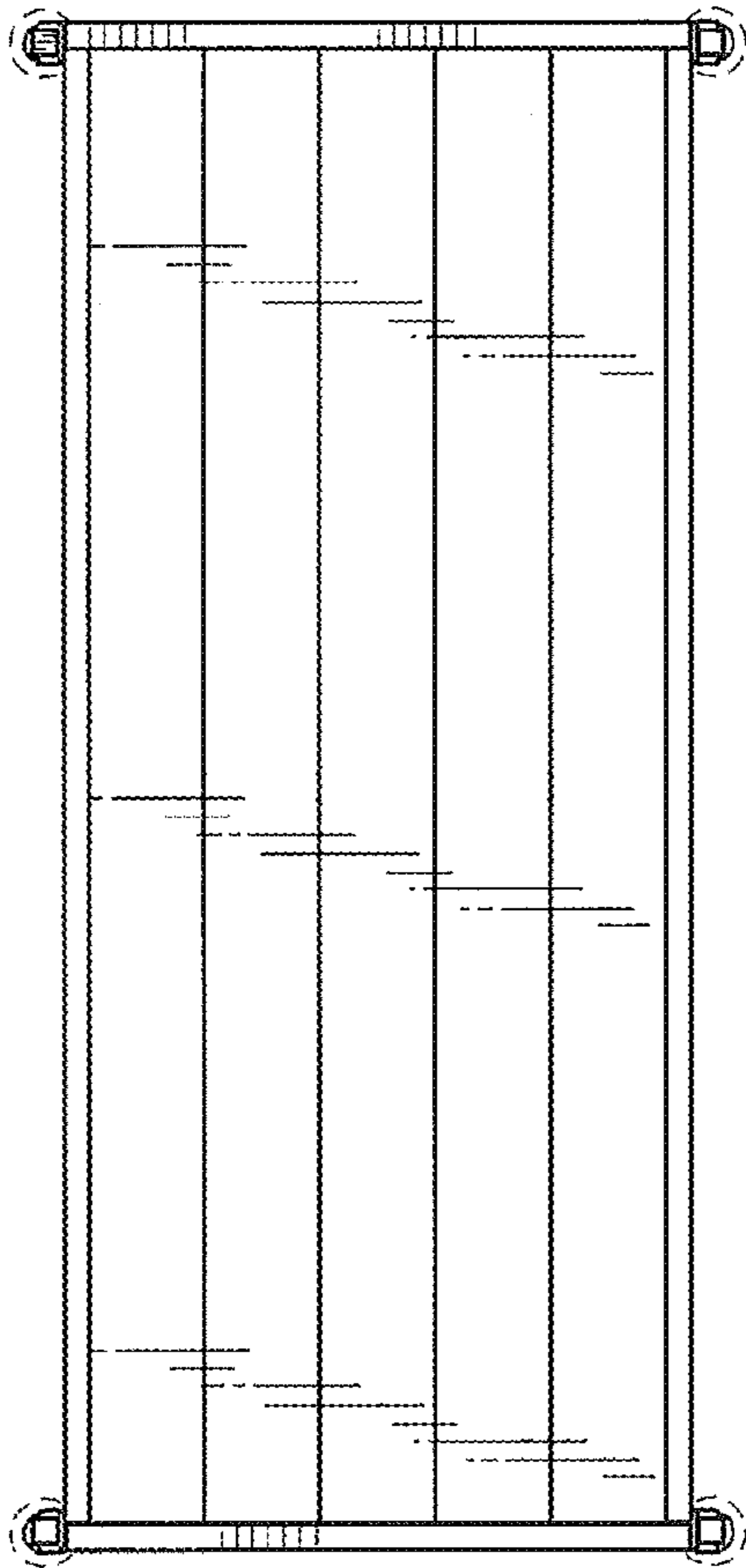


FIG. 3

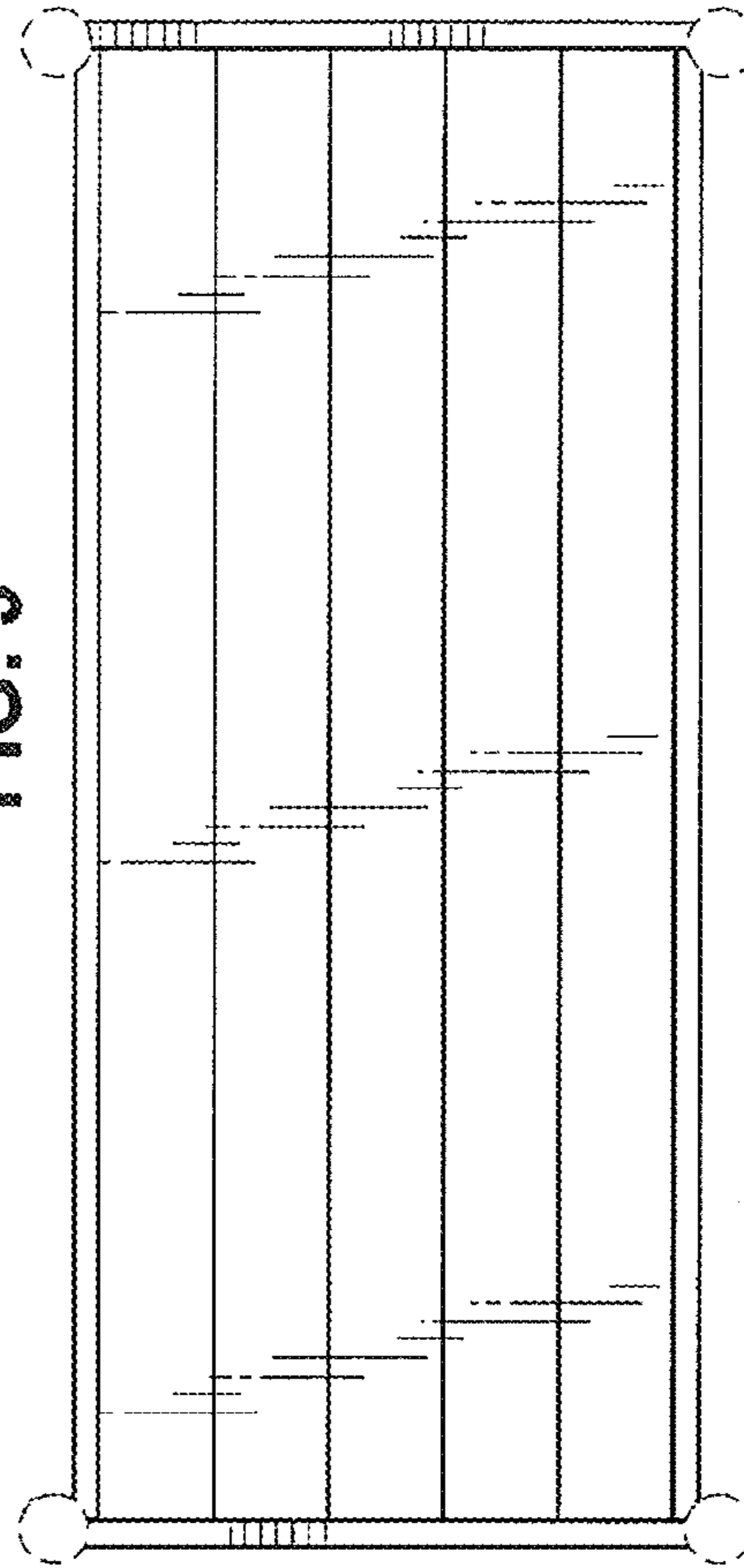


FIG. 4

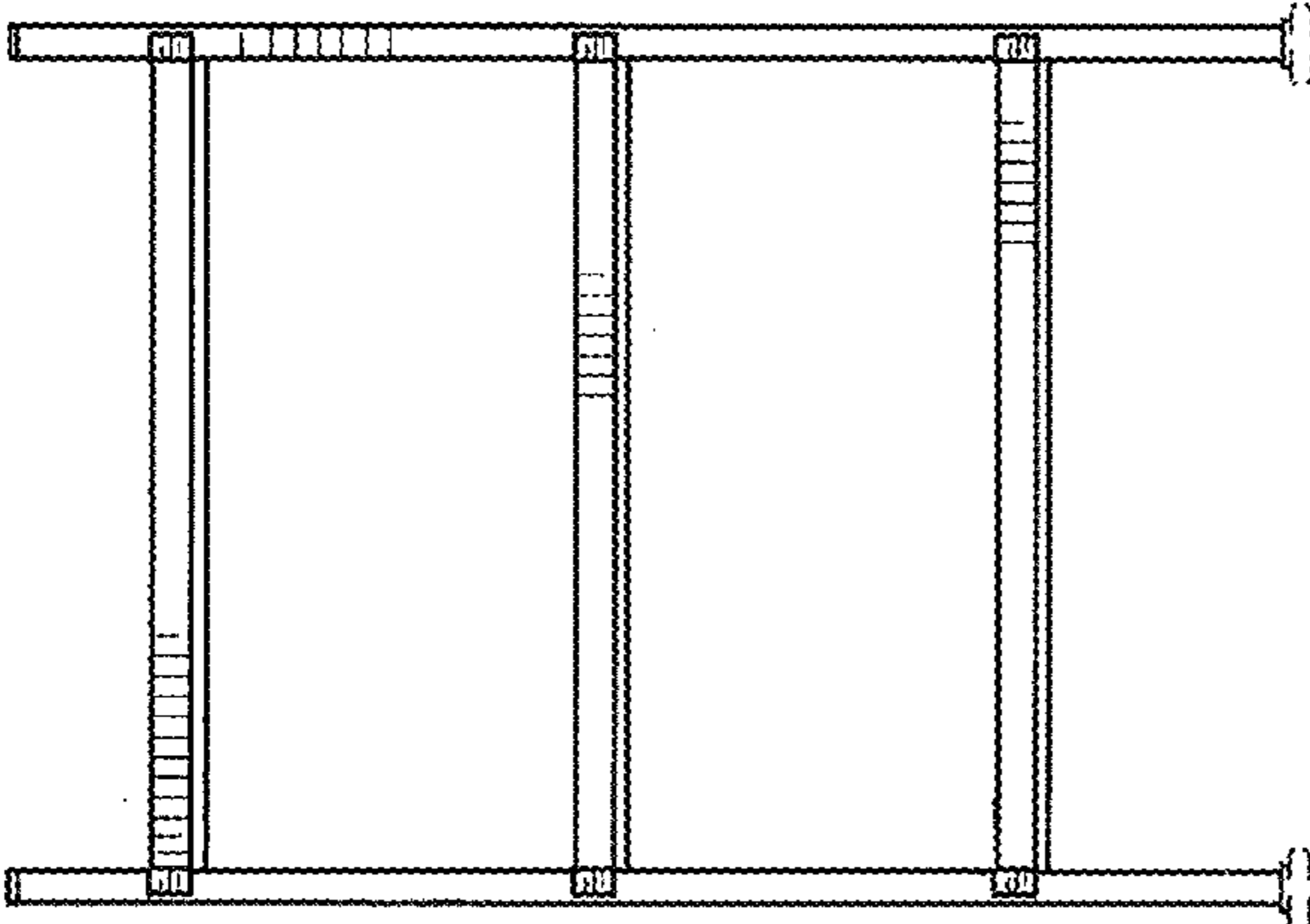


FIG. 5

