

US00D75996S

(12) **United States Design Patent**
Oaknin

(10) **Patent No.:** **US D759,996 S**
(45) **Date of Patent:** **** Jun. 28, 2016**

(54) **HEART SHAPED CONTAINER WITH A BITE TAKEN OUT OF IT**

(71) Applicant: **I LOVE SUGAR, INC.**, Myrtle Beach, SC (US)

(72) Inventor: **David M. Oaknin**, Myrtle Beach, SC (US)

(**) Term: **14 Years**

(21) Appl. No.: **29/494,370**

(22) Filed: **Jun. 19, 2014**

(51) **LOC (10) Cl.** **06-04**

(52) **U.S. Cl.**
USPC **D6/674**

(58) **Field of Classification Search**

USPC D6/315, 316, 317, 332, 342, 352, 362, D6/391, 400, 406.4, 406.5, 407, 513, 514, D6/519, 552, 556, 570, 573, 576, 630, 633, D6/635, 641, 652, 661, 668, 670, 672, 673, D6/674, 675, 677, 678, 680.2, 681, 683.1, D6/685, 691.5, 698, 699, 700, 707, 718; D7/305, 339, 341, 589, 600.1, 600.4, D7/602, 604, 610; D21/418, 506, 512, D21/521, 524, 525, 582, 797; D10/46.1; D11/47; D19/21; D20/43; D1/103; 211/85.28, 119.003, 166; 248/469; 108/25

CPC A47F 3/00; A47F 3/085; A47F 1/00; A47F 1/04; A47F 1/06; A47F 1/0018; A47F 1/0807; B65D 83/0083; B65D 83/06

See application file for complete search history.

(56) **References Cited**

U.S. PATENT DOCUMENTS

4,929,025 A * 5/1990 Lu A47C 3/16
267/133
D364,102 S * 11/1995 Coleman, Jr. D10/46.1

D375,456 S * 11/1996 Borgmann D9/629
D428,054 S * 7/2000 Hayashi D19/21
D496,454 S * 9/2004 Beck D24/102
D523,757 S * 6/2006 Garcia D9/418
D529,746 S * 10/2006 Soleymani D6/303
D543,005 S * 5/2007 Pertz D99/5
D551,978 S * 10/2007 Daniels D9/456
D577,385 S * 9/2008 Sand D19/91
D588,491 S * 3/2009 Willour D11/200
D645,261 S * 9/2011 Puskas D6/303
D731,738 S * 6/2015 Jackson D99/3

OTHER PUBLICATIONS

Heart Shaped Transparent Plastic Container: Announced Nov. 29, 2013 [online], site visited [Sep. 1, 2015]. Available from Internet URL:< <http://www.ebay.co.uk/itm/1x-Heart-Shaped-Box-Fillable-Transparent-Plastic-Container-gift-wedding-favours-/331111529950>.*

* cited by examiner

Primary Examiner — Thomas Johannes

Assistant Examiner — Catherine Posthauer

(74) *Attorney, Agent, or Firm* — Tarter Krinsky & Drogin LLP

(57) **CLAIM**

The ornamental design for a heart shaped container with a bite taken out of it, substantially as shown and described.

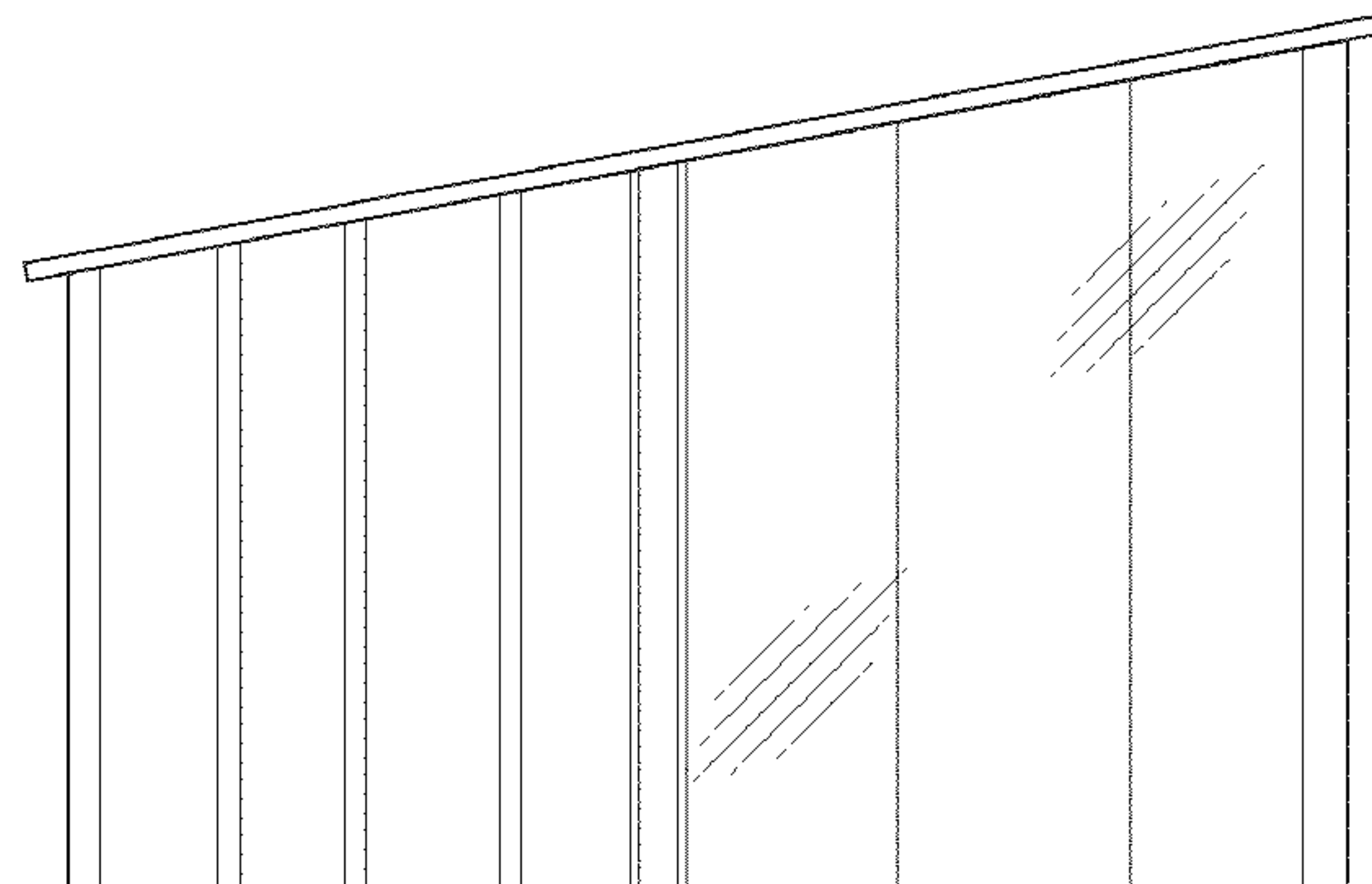
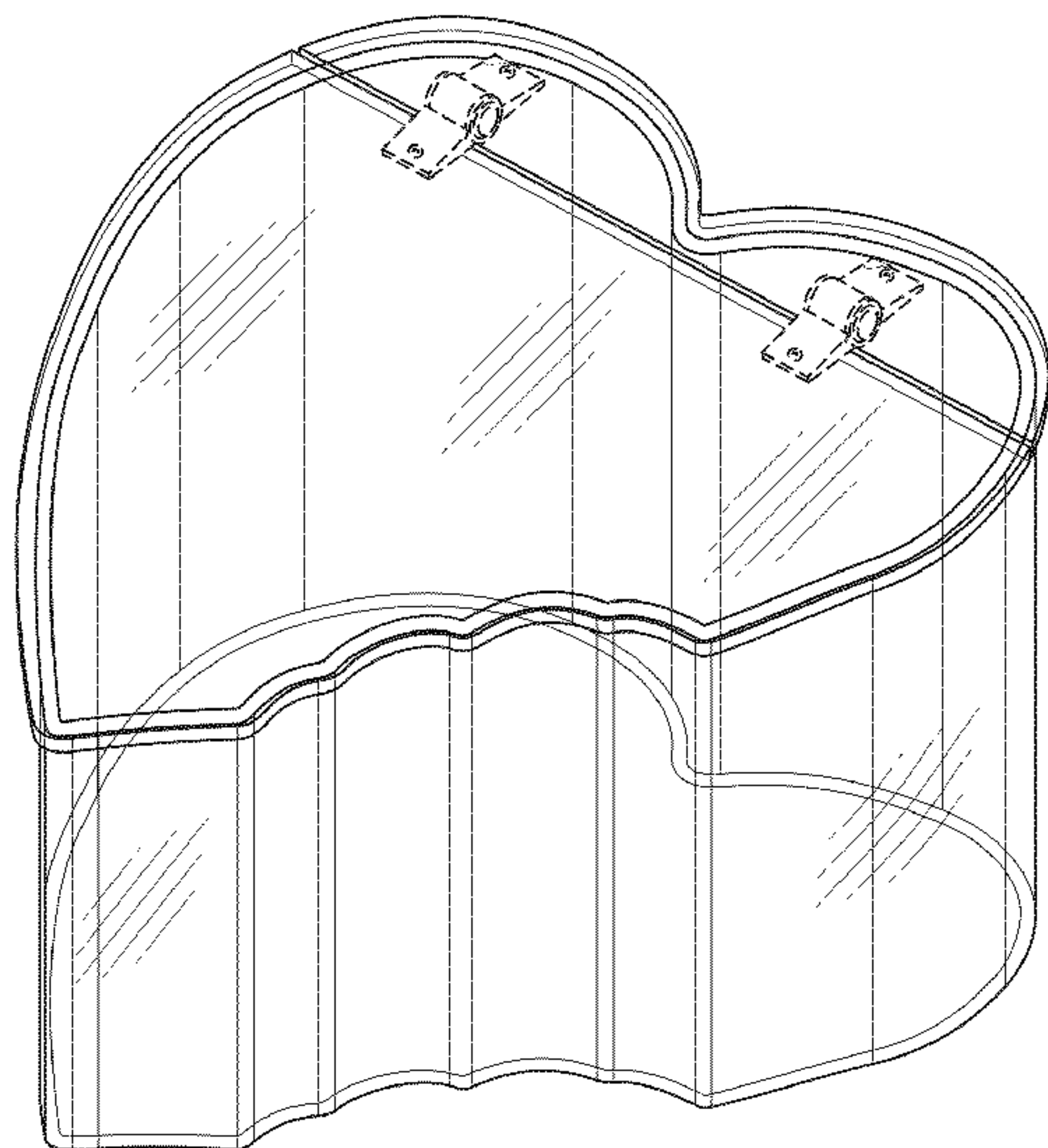
DESCRIPTION

FIG. 1 is a front perspective view of a heart shaped container with a bite taken out of it, with the lid and base in a closed position;

FIG. 2 is a side view of the base with the lid removed for the purpose of showing internal details more clearly; and, FIG. 3 is a side view thereof.

The broken lines are shown for the purpose of illustrating portions of the article that form no part of the claimed design.

1 Claim, 3 Drawing Sheets



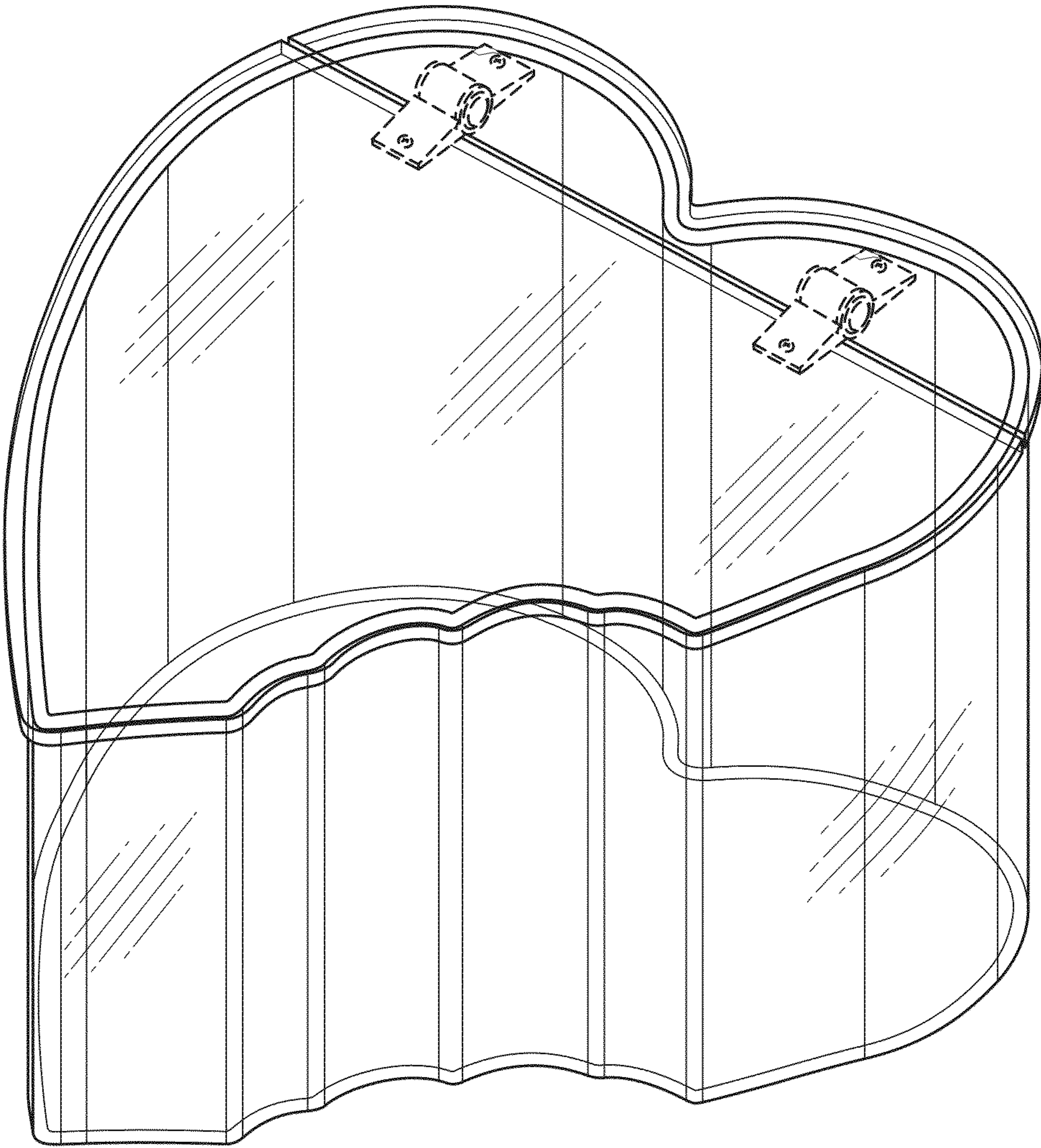


FIG. 1

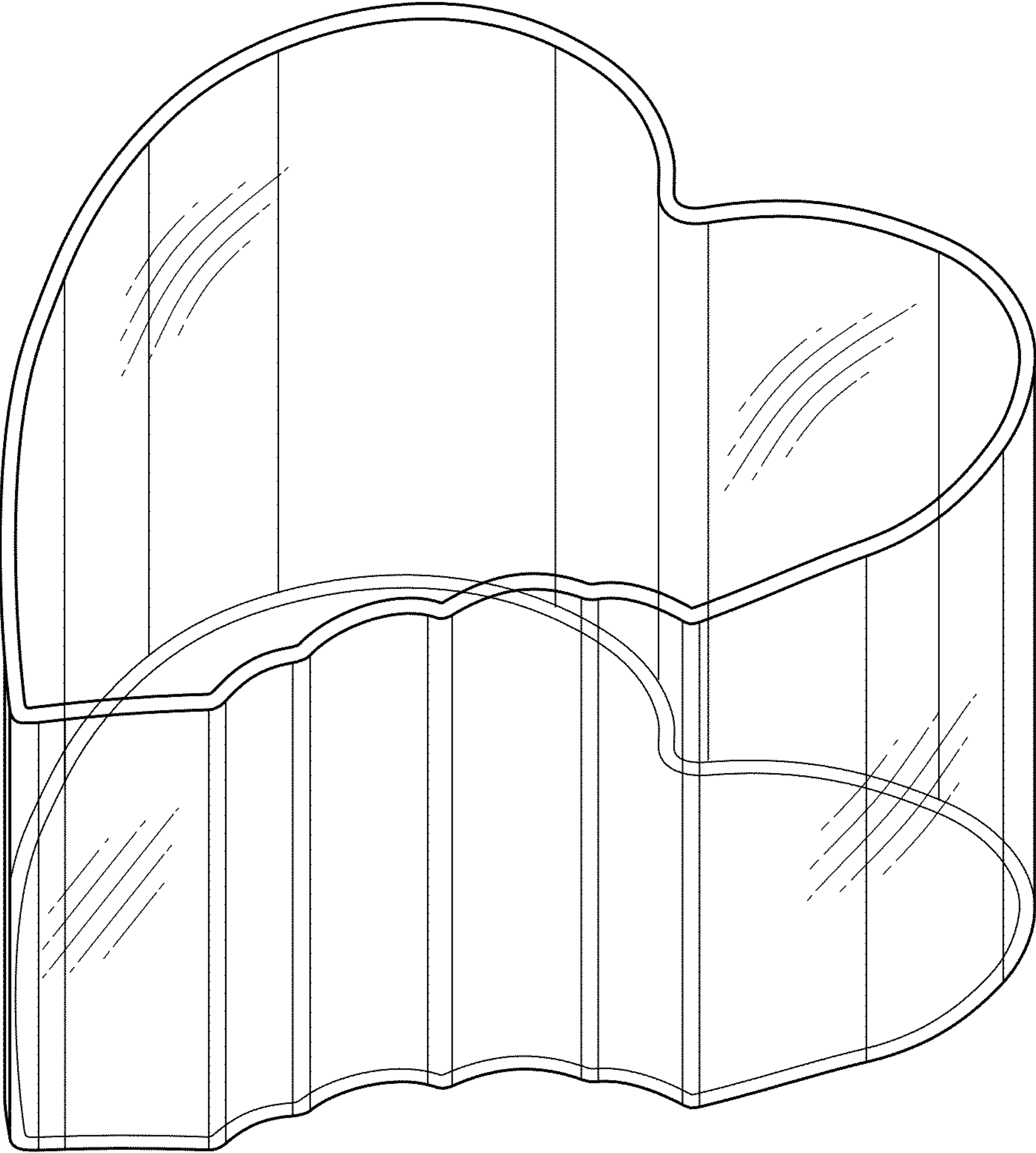


FIG. 2

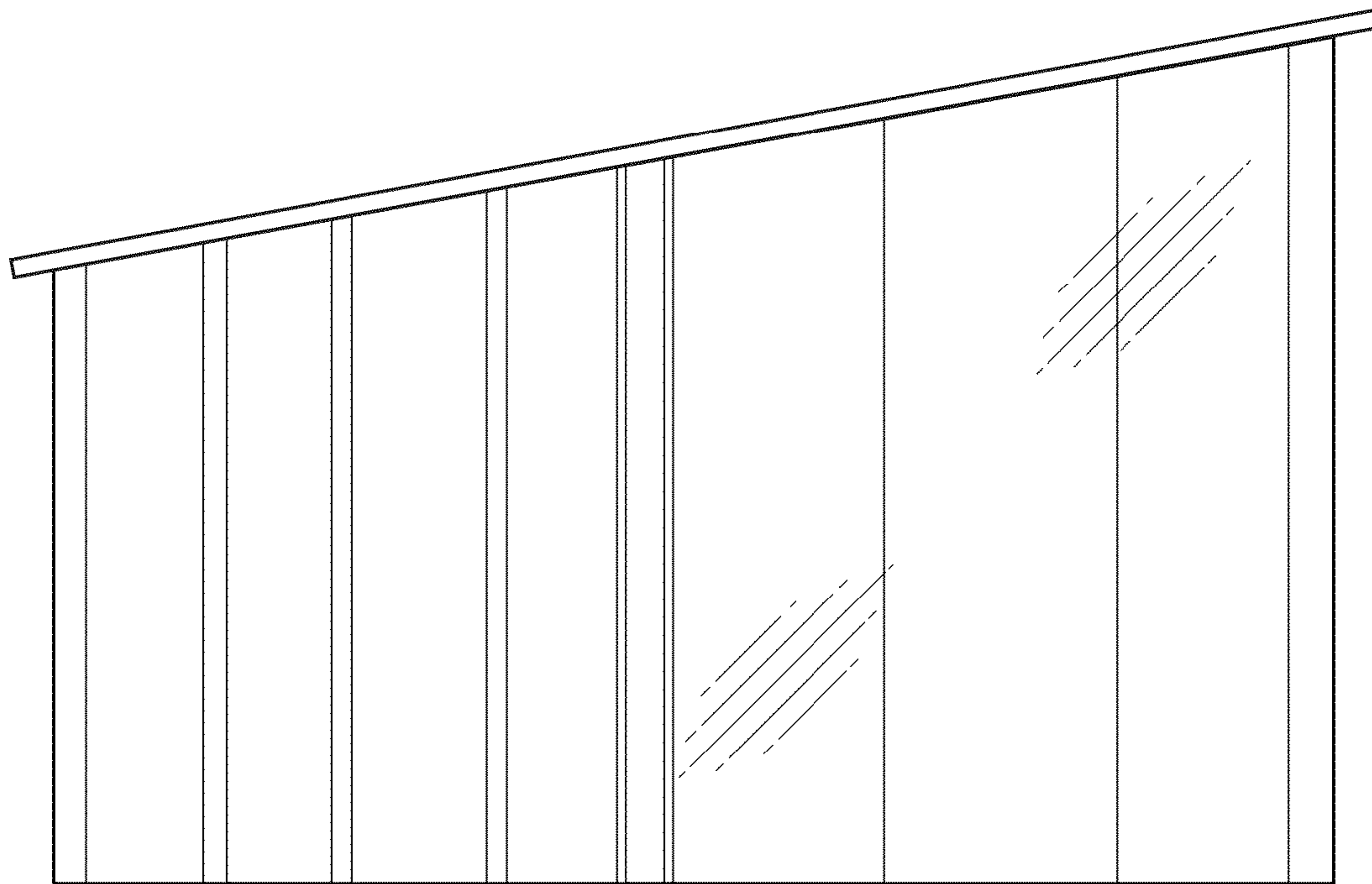


FIG. 3