



US00D75993S

(12) **United States Design Patent**  
**Stinson**

(10) **Patent No.:** **US D759,993 S**  
(45) **Date of Patent:** **\*\* Jun. 28, 2016**

- (54) **COVER FOR CHAIR ARM**
- (71) Applicant: **Constance Stinson**, New Vineyard, ME (US)
- (72) Inventor: **Constance Stinson**, New Vineyard, ME (US)
- (\*\*) Term: **15 Years**
- (21) Appl. No.: **29/528,346**
- (22) Filed: **May 28, 2015**
- (51) **LOC (10) CL.** ..... **06-13**
- (52) **U.S. CL.**  
USPC ..... **D6/610**
- (58) **Field of Classification Search**  
USPC ..... D6/366, 610, 611, 716.12, 716.13;  
D12/190  
See application file for complete search history.

2008/0191537 A1\* 8/2008 Oda ..... A47C 1/03  
297/411.36  
2012/0145840 A1\* 6/2012 Diffrient ..... A47C 7/54  
248/118

**OTHER PUBLICATIONS**

BMW Leather Upholstery Kit found online [Feb. 1, 2016] <http://www.aaaupholster.com/this-is-a-stock-of-center-console-armrest-cover-upholstery-kit2pcs-s2.html>.  
Liberal Armrest Cover found online [Feb. 1, 2016] <http://rev9autosport.com/liberal-armrest-cover.html>.

\* cited by examiner

*Primary Examiner* — Robert M Spear  
*Assistant Examiner* — John Voytek  
(74) *Attorney, Agent, or Firm* — David M. Driscoll, Esq.

(57) **CLAIM**

The ornamental design for a cover for chair arm, as shown and described.

**DESCRIPTION**

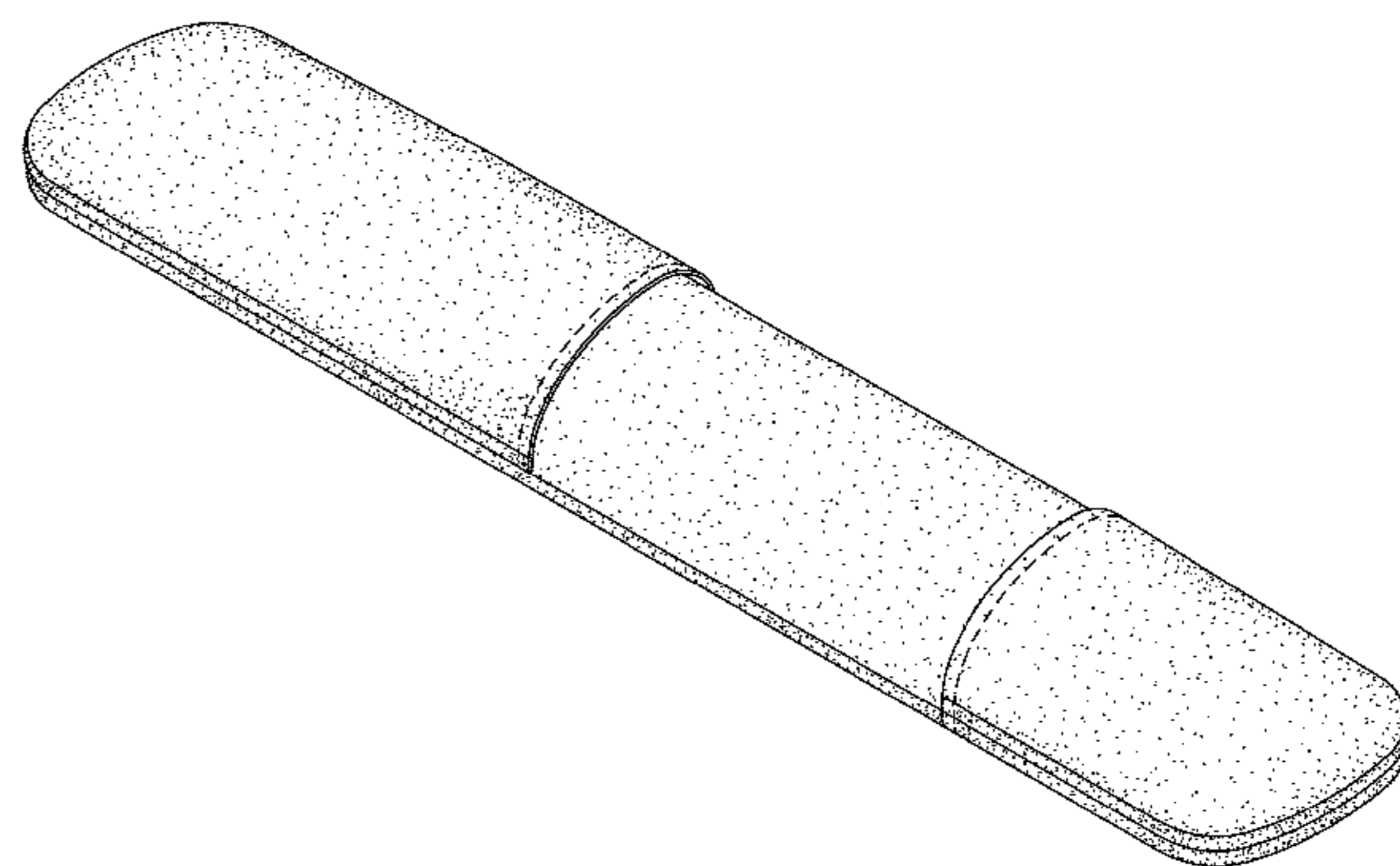
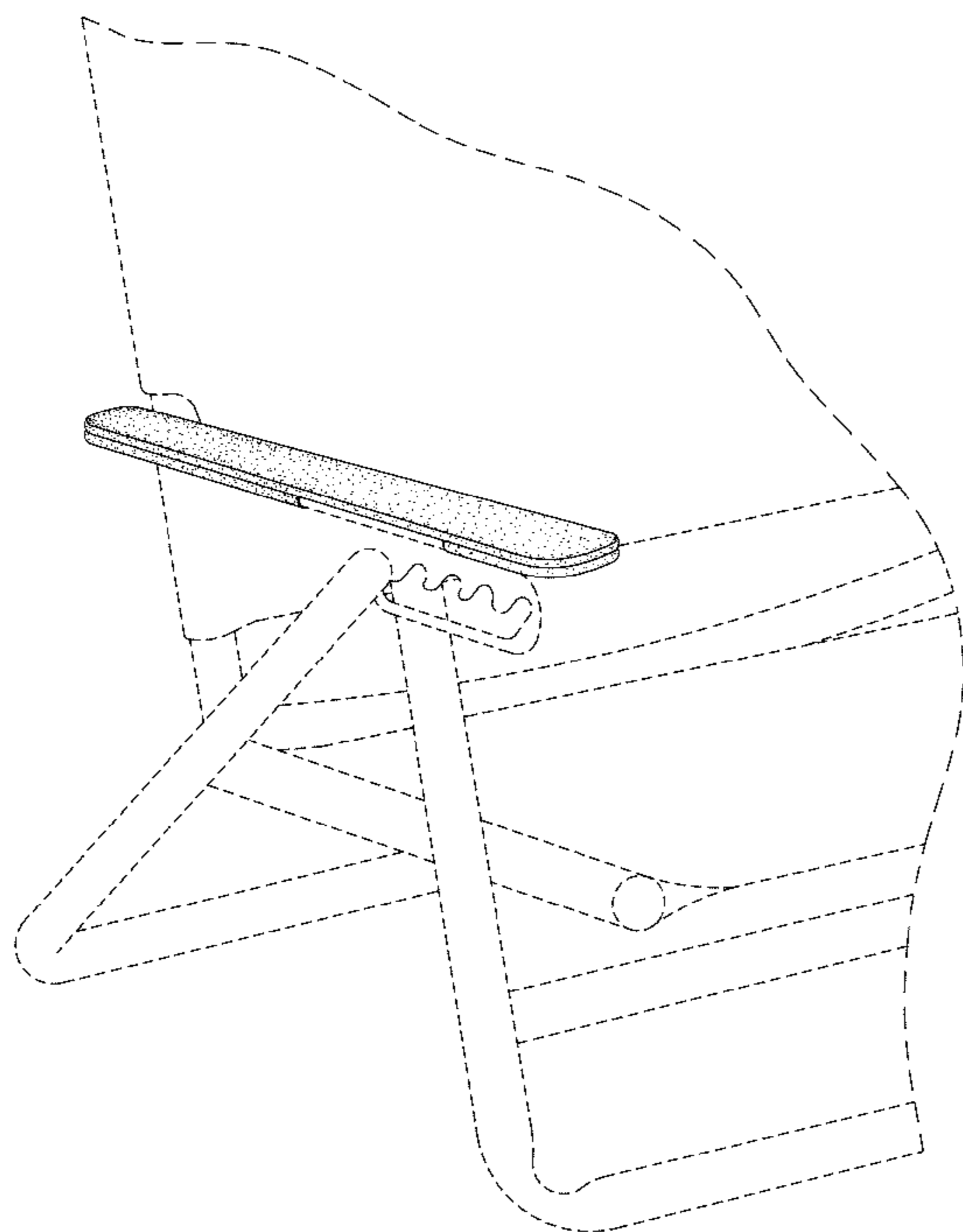
FIG. 1 is a perspective view of a cover for chair arm;  
FIG. 2 is a top plan view thereof;  
FIG. 3 is a bottom plan view thereof;  
FIG. 4 is a right side elevational view thereof;  
FIG. 5 is a left side elevational view thereof;  
FIG. 6 is a front elevational view thereof;  
FIG. 7 is a rear elevational view thereof;  
FIG. 8 is a perspective view thereof showing the cover for chair arm in use; and,  
FIG. 9 is a bottom perspective view.  
The broken lines shown in the drawing views are included for the purpose of showing environmental structure that forms no part of the claimed design.

**1 Claim, 5 Drawing Sheets**

(56) **References Cited**

**U.S. PATENT DOCUMENTS**

D243,304 S *	2/1977	Fuqua	.....	D12/190
D461,076 S *	8/2002	Lee	.....	D6/366
D616,239 S *	5/2010	Sawyer	.....	D6/610
9,004,603 B1 *	4/2015	Wang	.....	A47C 1/03 297/411.35
D736,022 S *	8/2015	Vo	.....	D6/716.3
2007/0246980 A1 *	10/2007	Bullocks	.....	A61B 19/081 297/227
2008/0048480 A1 *	2/2008	Liviero	.....	A47C 1/03 297/463.1



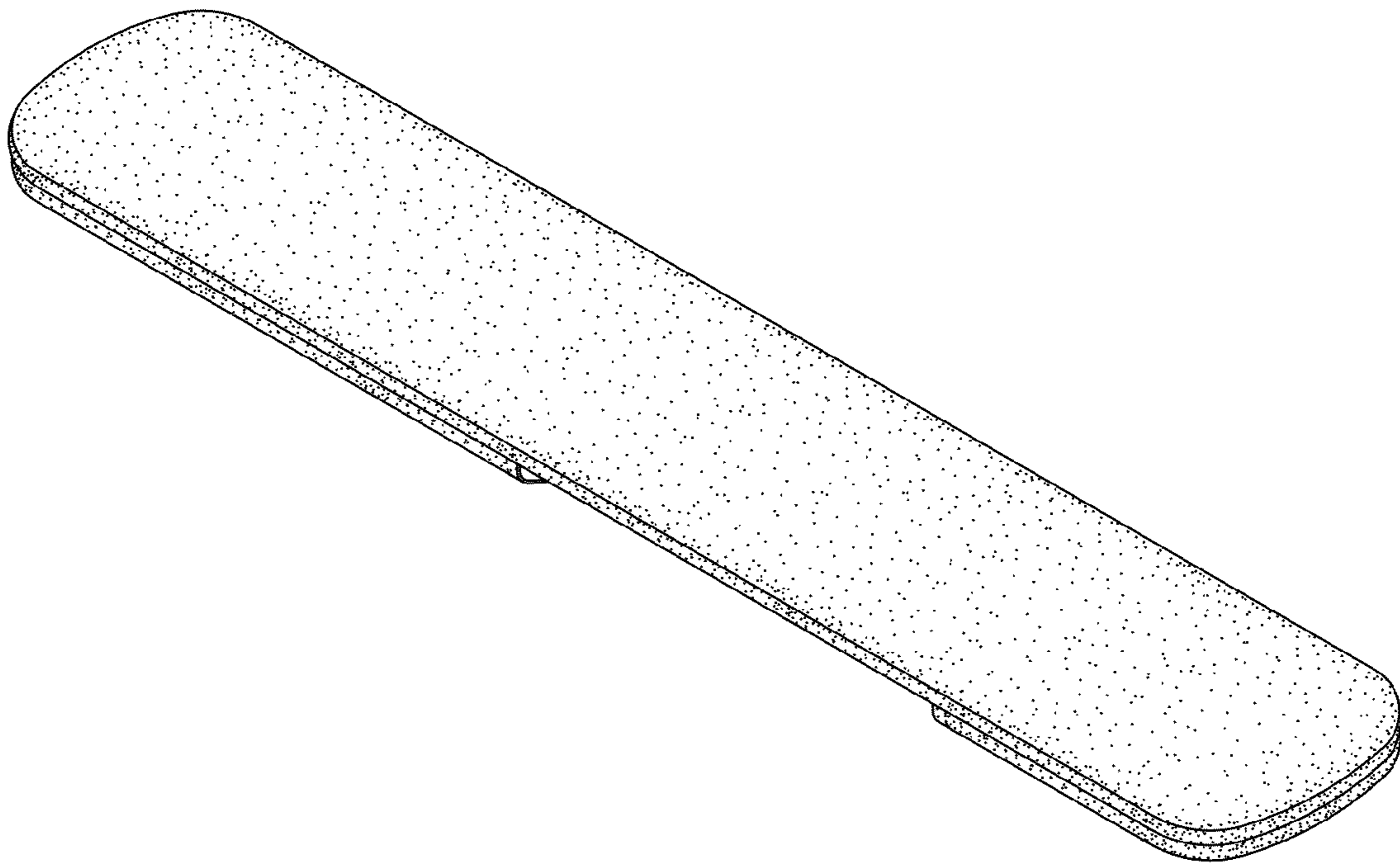


FIG. 1

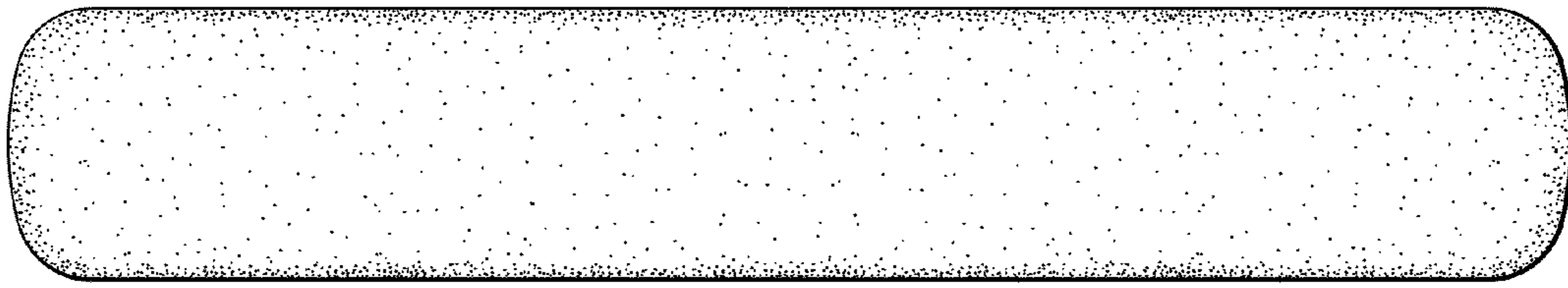


FIG. 2

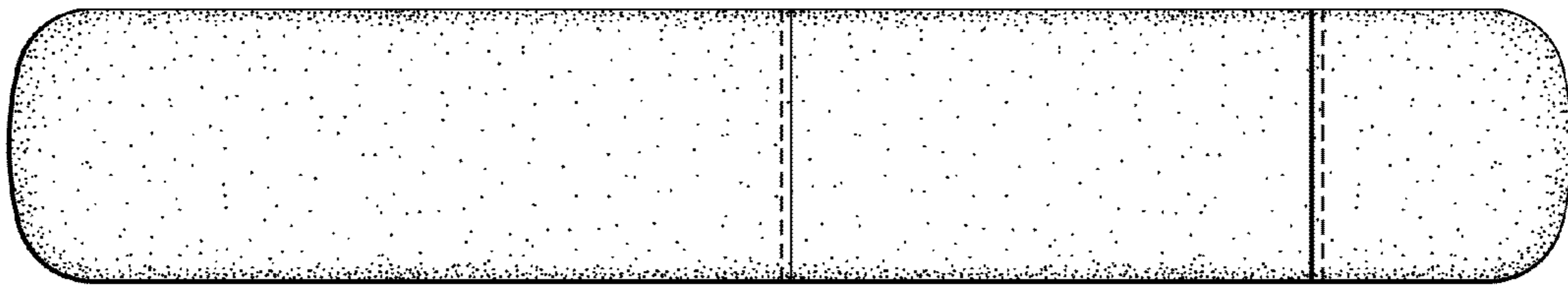


FIG. 3



FIG. 4



FIG. 5



FIG. 6



FIG. 7

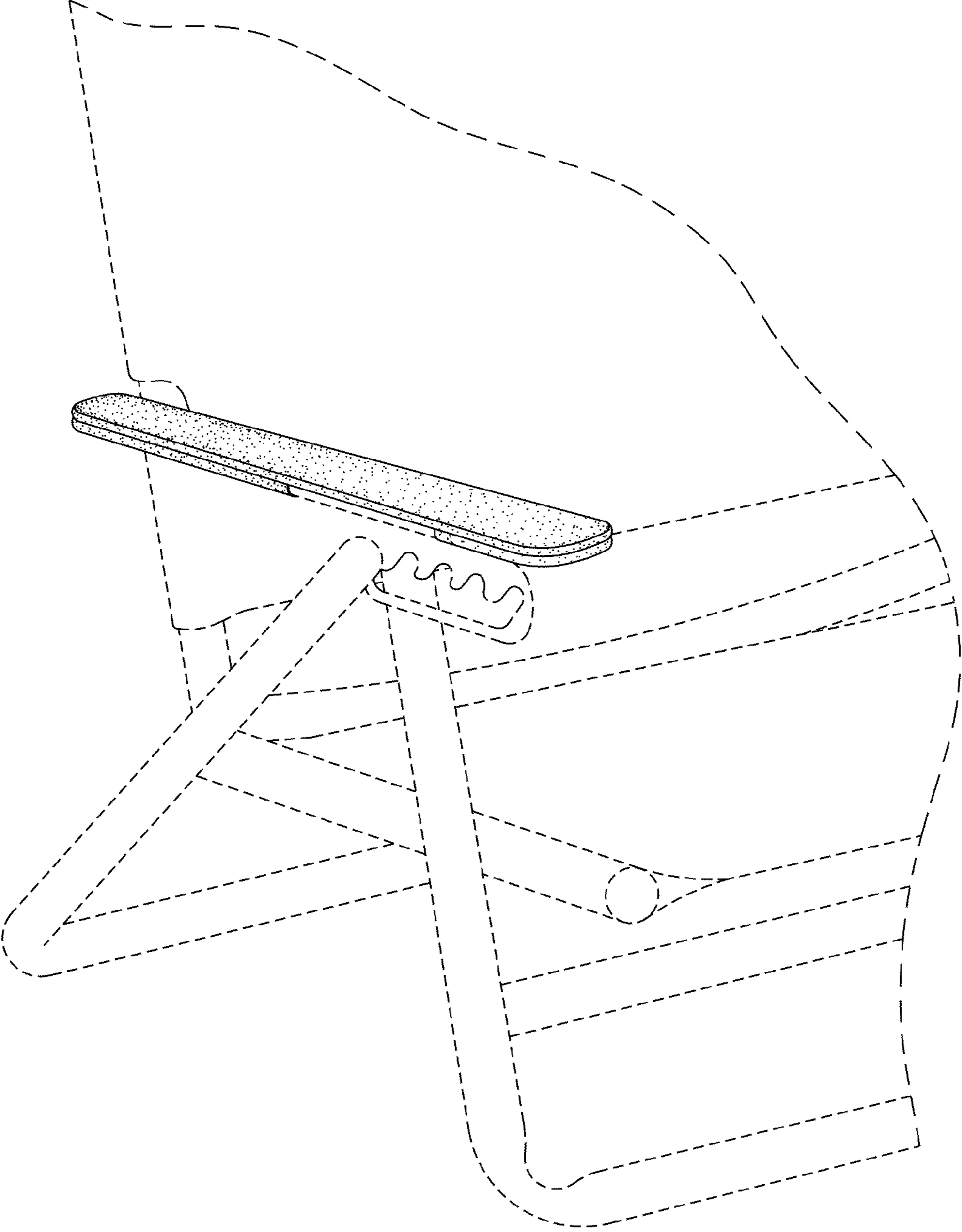


FIG. 8

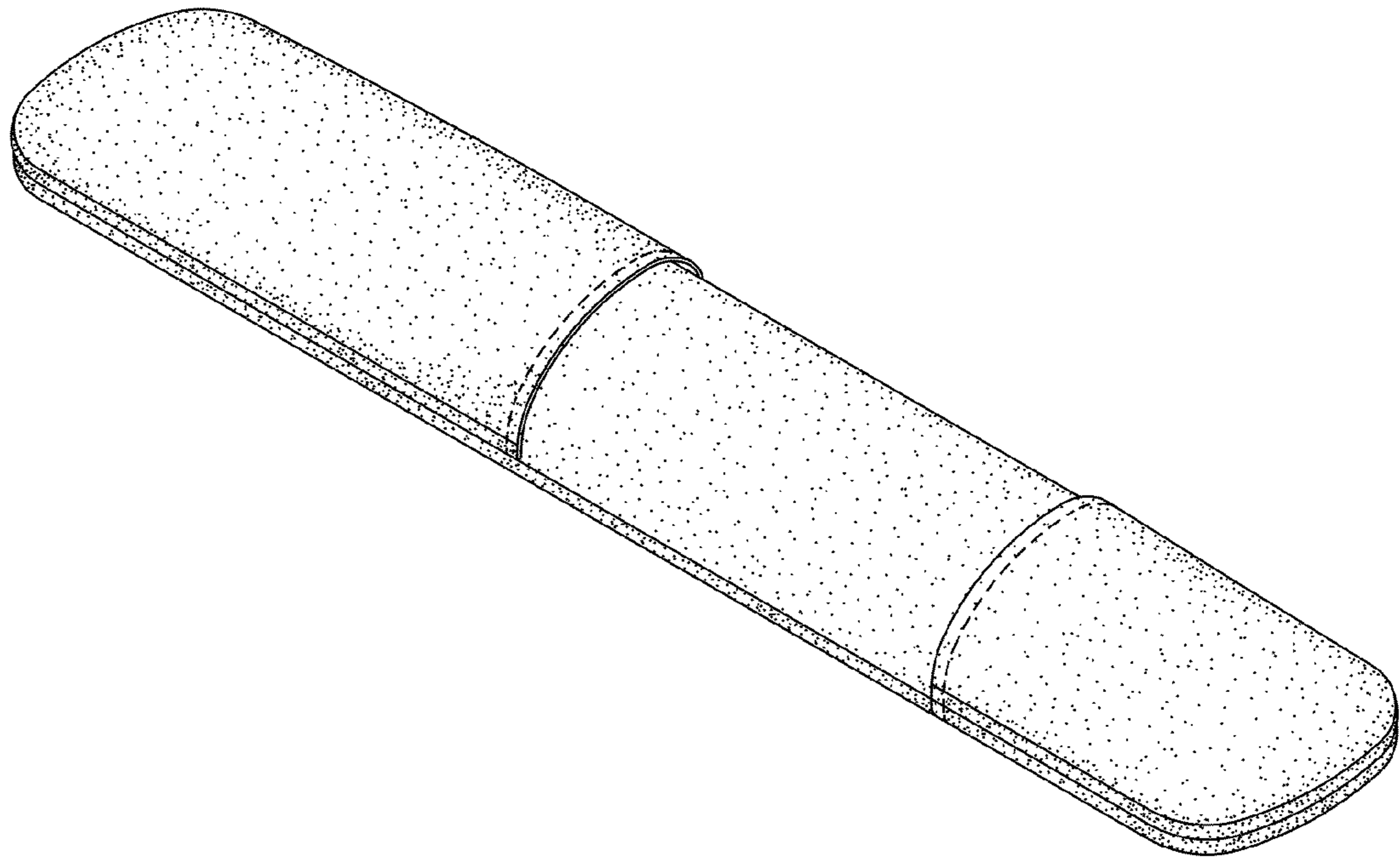


FIG. 9