



US00D759990S

(12) **United States Design Patent**
Goodman et al.

(10) **Patent No.:** **US D759,990 S**
(45) **Date of Patent:** **** Jun. 28, 2016**

(54) **MAIL AND KEY HOLDER**

(71) Applicant: **Spectrum Diversified Designs, Inc.**,
Streetsboro, OH (US)

(72) Inventors: **Sheldon H. Goodman**, Solon, OH (US);
Phaysouk Xayoiphonh, Akron, OH
(US); **Jennifer Case**, Middleburg
Heights, OH (US)

(73) Assignee: **Spectrum Diversified Designs, LLC**,
Streetsboro, OH (US)

(**) Term: **14 Years**

(21) Appl. No.: **29/509,483**

(22) Filed: **Nov. 18, 2014**

(51) **LOC (10) Cl.** **06-04**

(52) **U.S. Cl.**
USPC **D6/566; D6/572**

(58) **Field of Classification Search**
USPC D6/572, 566; D19/75-80, 86, 87,
D19/89-92; 206/215, 425, 556, 557;
211/10, 11, 42, 45, 50, 88.01, 126.1,
211/106

CPC B65D 85/8043; A47B 17/03
See application file for complete search history.

(56) **References Cited**

U.S. PATENT DOCUMENTS

| | | | | |
|--------------|---------|---------|-------|--------|
| D453,651 S * | 2/2002 | Snell | | D6/537 |
| D484,345 S * | 12/2003 | Clucas | | D6/566 |
| D649,822 S * | 12/2011 | Goodman | | D6/566 |
| D666,855 S * | 9/2012 | Goodman | | D6/566 |

| | | | | |
|--------------|--------|---------|-------|--------|
| D666,856 S * | 9/2012 | Goodman | | D6/566 |
| D666,859 S * | 9/2012 | Goodman | | D6/566 |
| D705,577 S * | 5/2014 | Goodman | | D6/566 |
| D710,628 S * | 8/2014 | Goodman | | D6/566 |
| D723,761 S * | 3/2015 | Goodman | | D32/55 |
| D734,818 S * | 7/2015 | Goodman | | D19/90 |

* cited by examiner

Primary Examiner — Wan Laymon

Assistant Examiner — Mark Booker

(74) *Attorney, Agent, or Firm* — Renner, Otto, Boisselle &
Sklar, LLP

(57) **CLAIM**

The ornamental design for a mail and key holder, as shown
and described.

DESCRIPTION

FIG. 1 is a perspective view of a mail and key holder showing
our new design.

FIG. 2 is a front view thereof.

FIG. 3 is a rear view thereof.

FIG. 4 is a right side view thereof, a left side view being a
mirror image of the right side view.

FIG. 5 is a top view thereof.

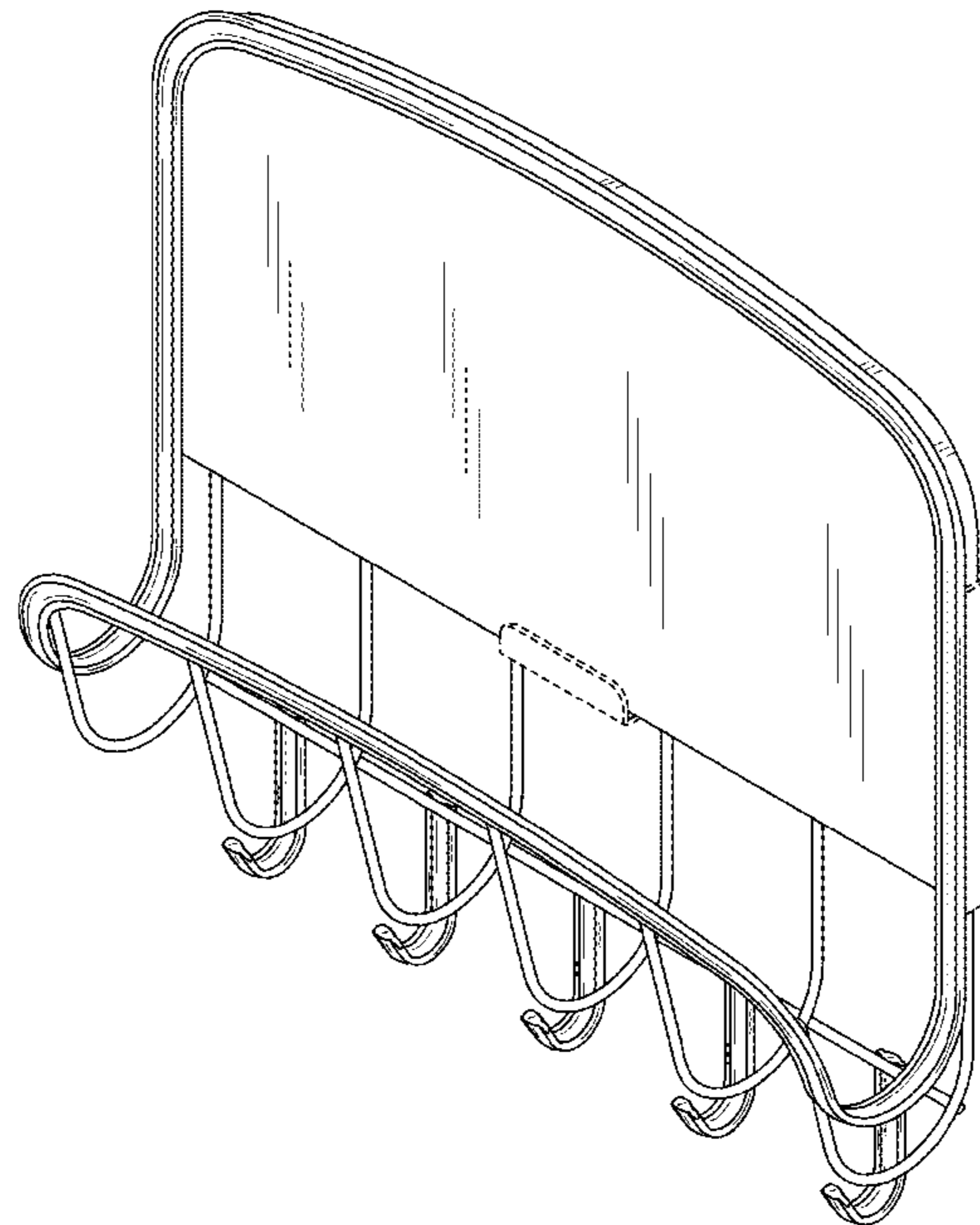
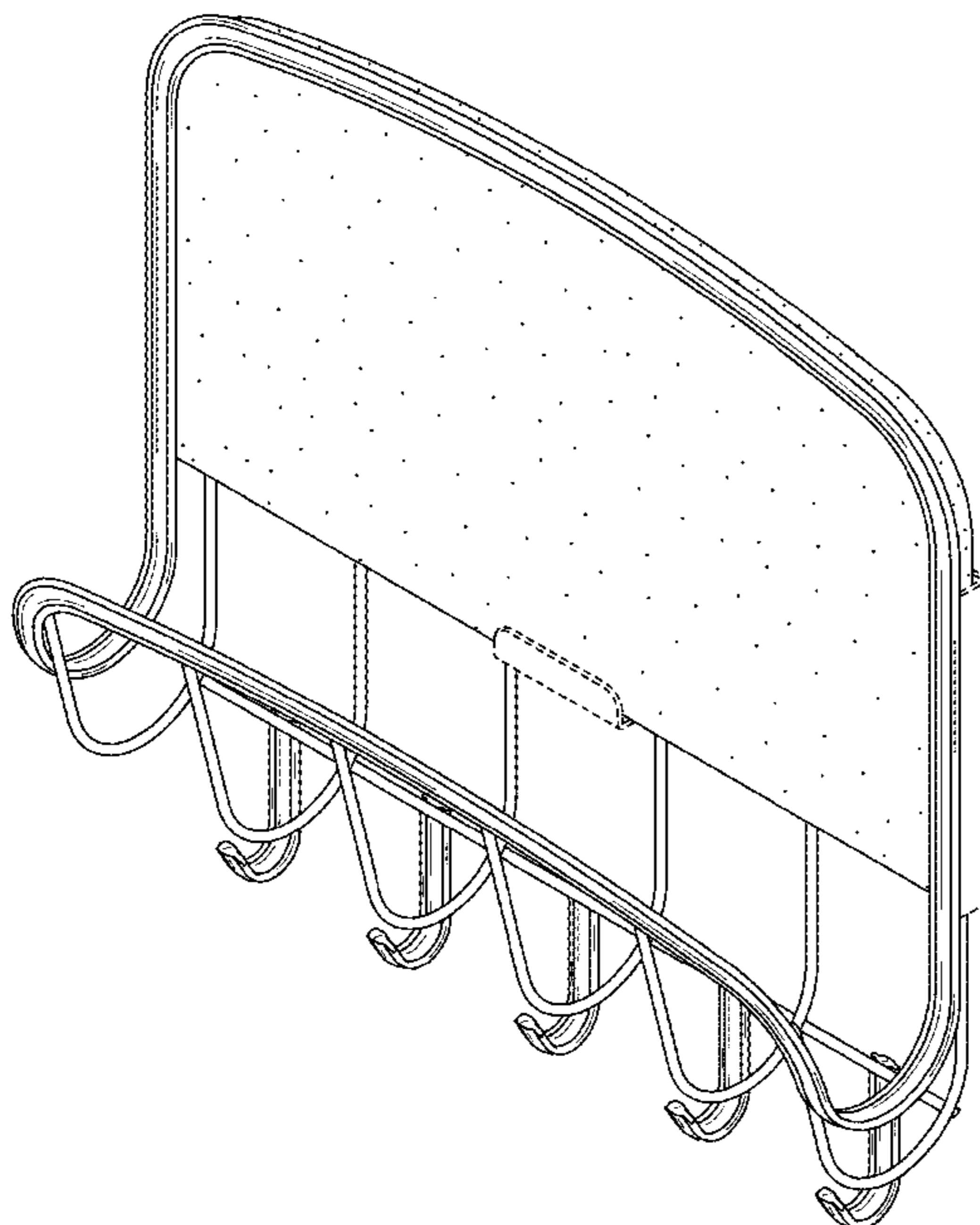
FIG. 6 is a bottom view thereof; and,

FIG. 7 is a perspective view of the mail and key holder, but
with a different panel insert.

The stippling on the panel insert of FIGS. 1-6 represents
shading of a surface having contrast to the surface of the wire
frame.

The broken lines shown in the figures represent portions of
the mail and key holder that form no part of the claimed
design.

1 Claim, 6 Drawing Sheets



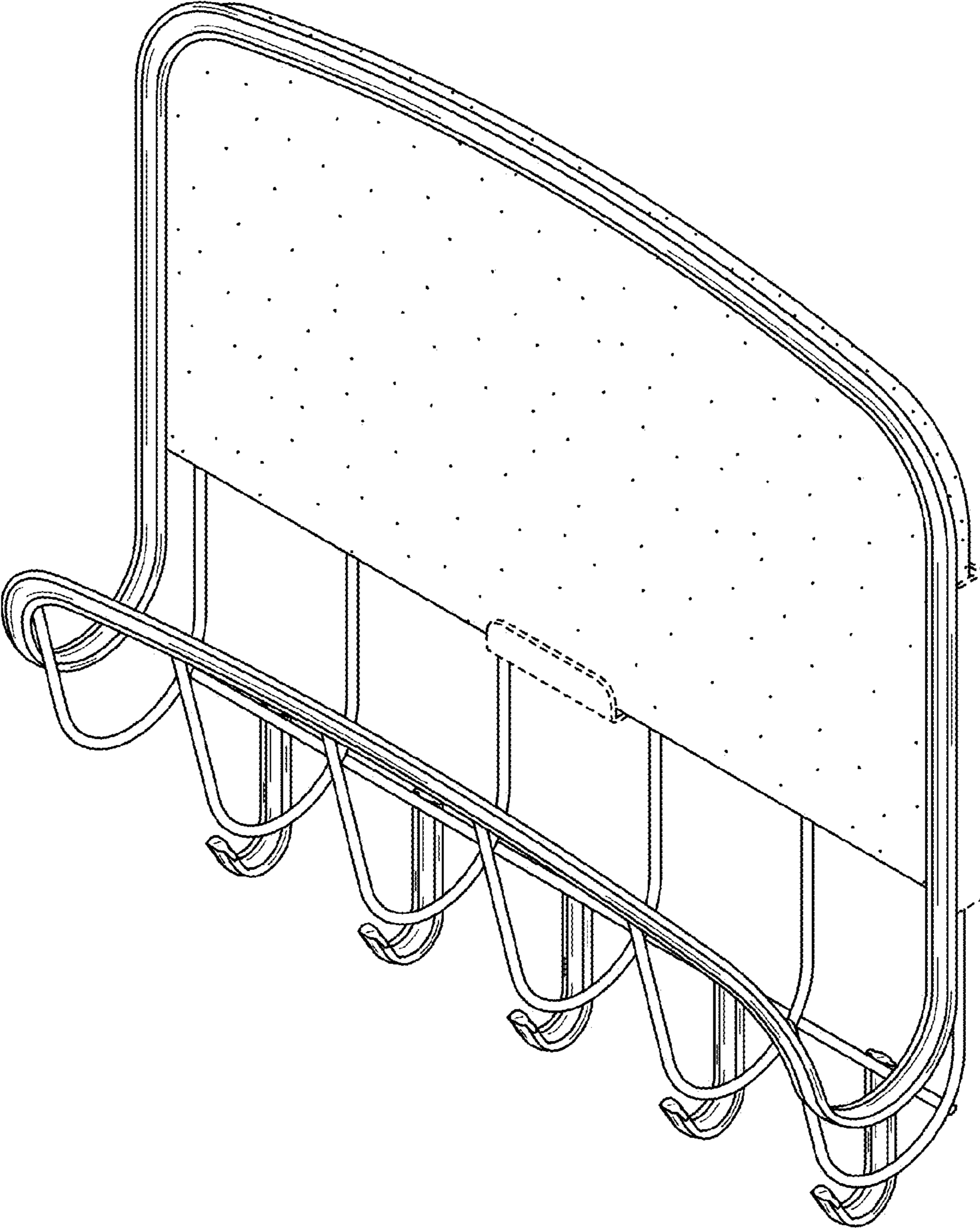


FIG. 1

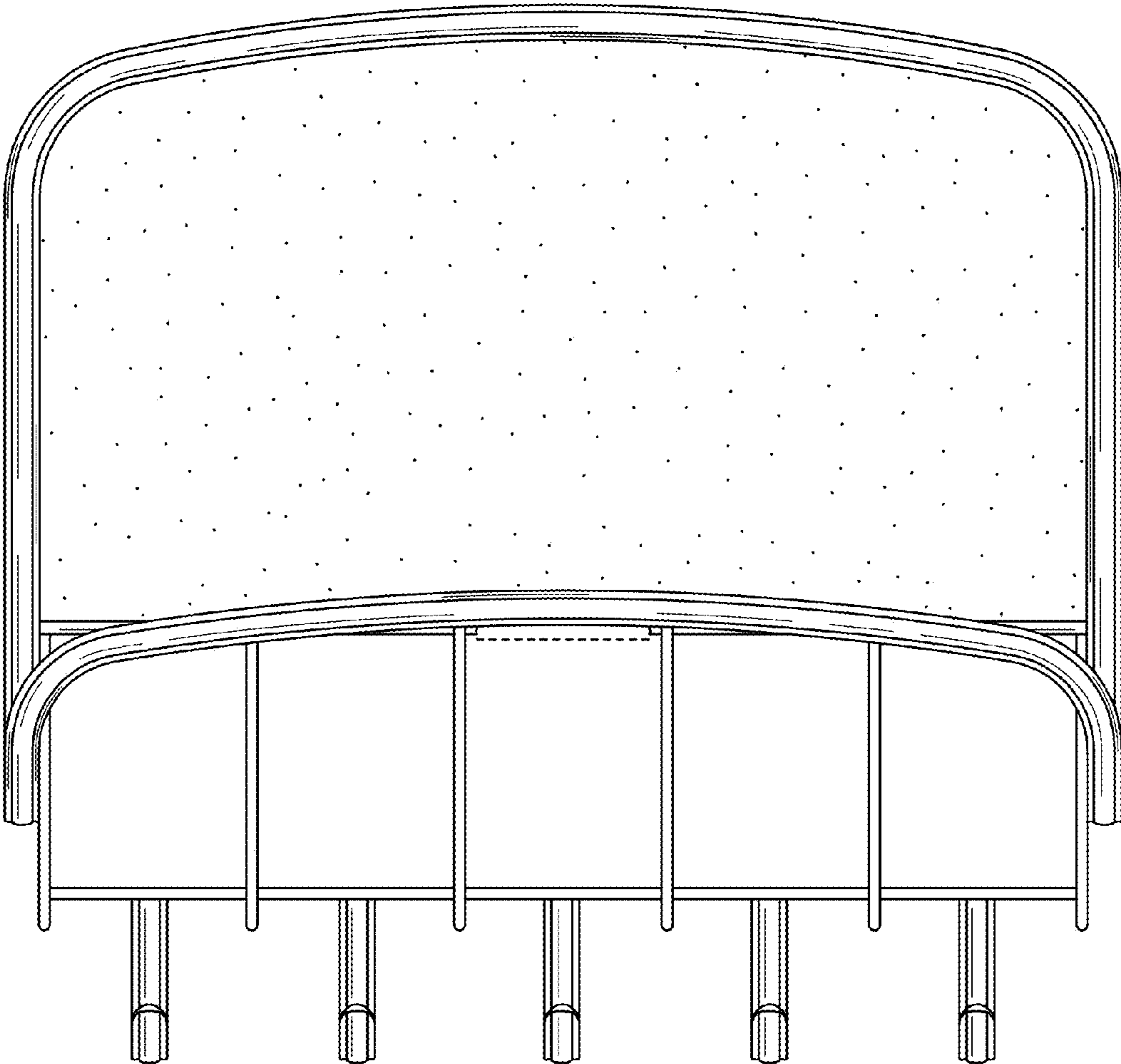


FIG. 2

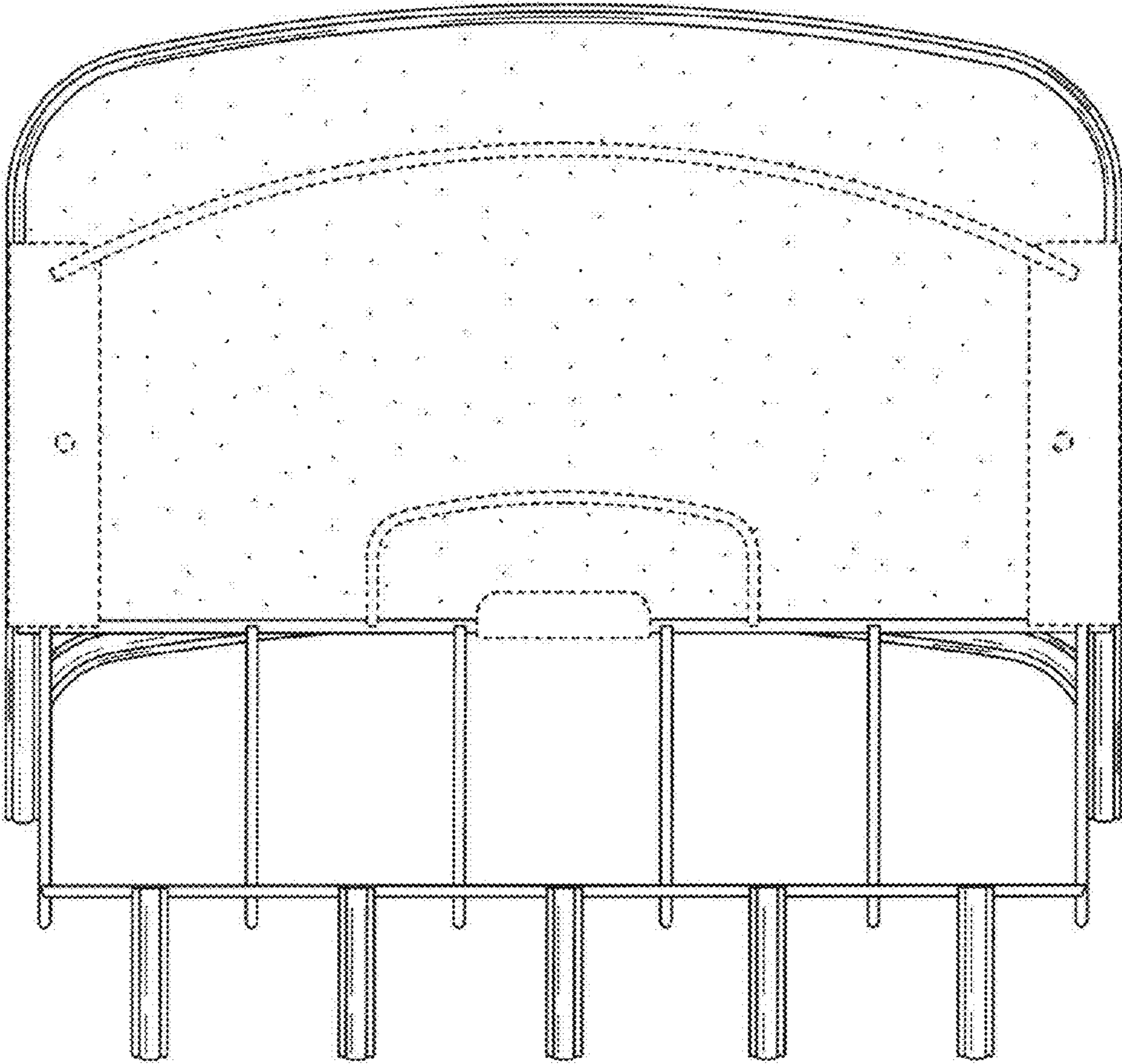


FIG. 3

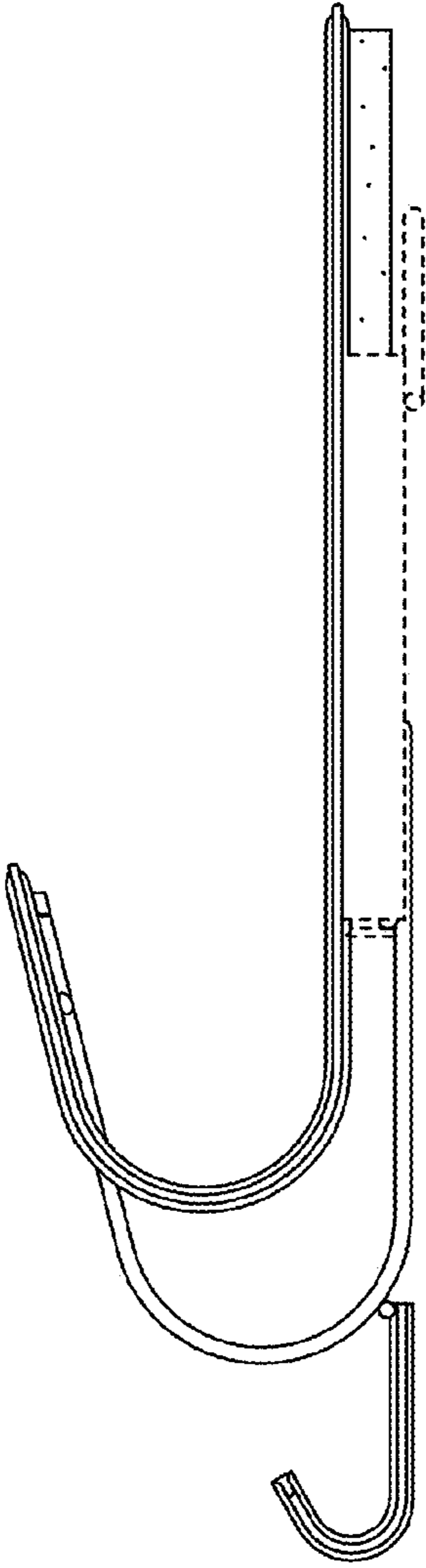


FIG. 4

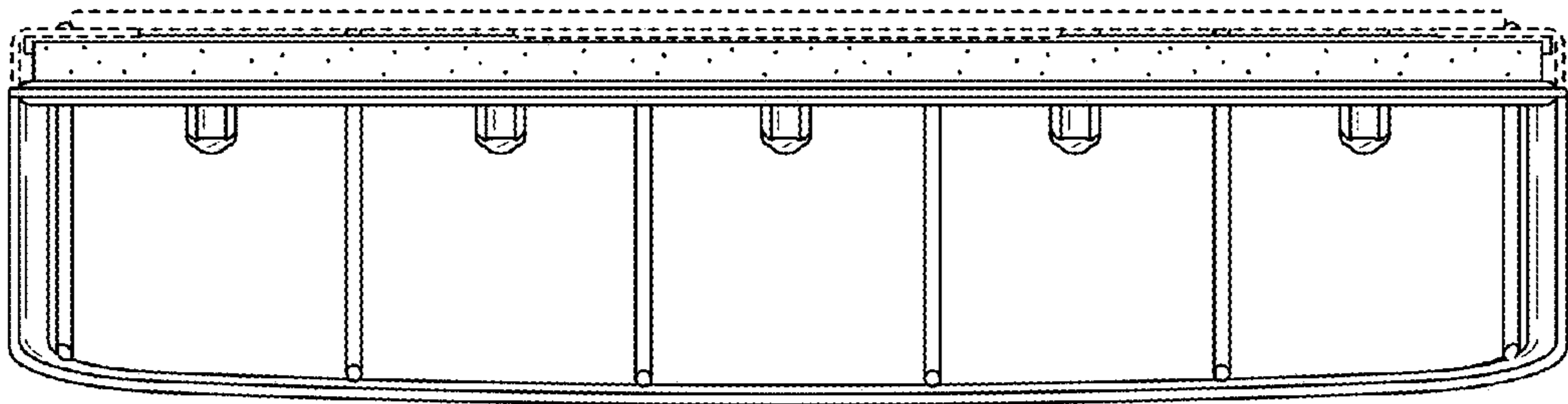


FIG. 5

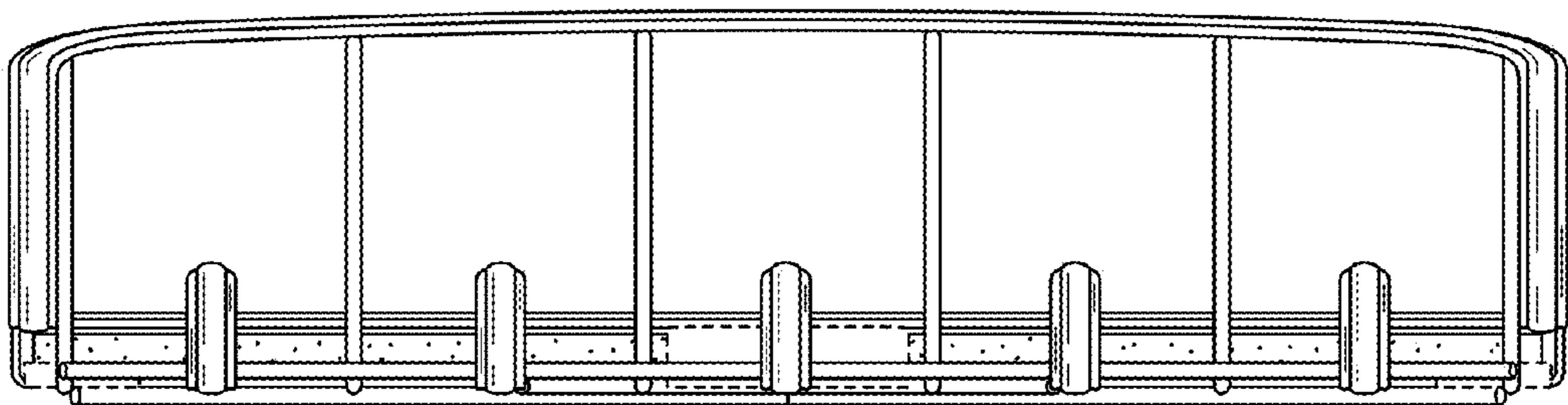


FIG. 6

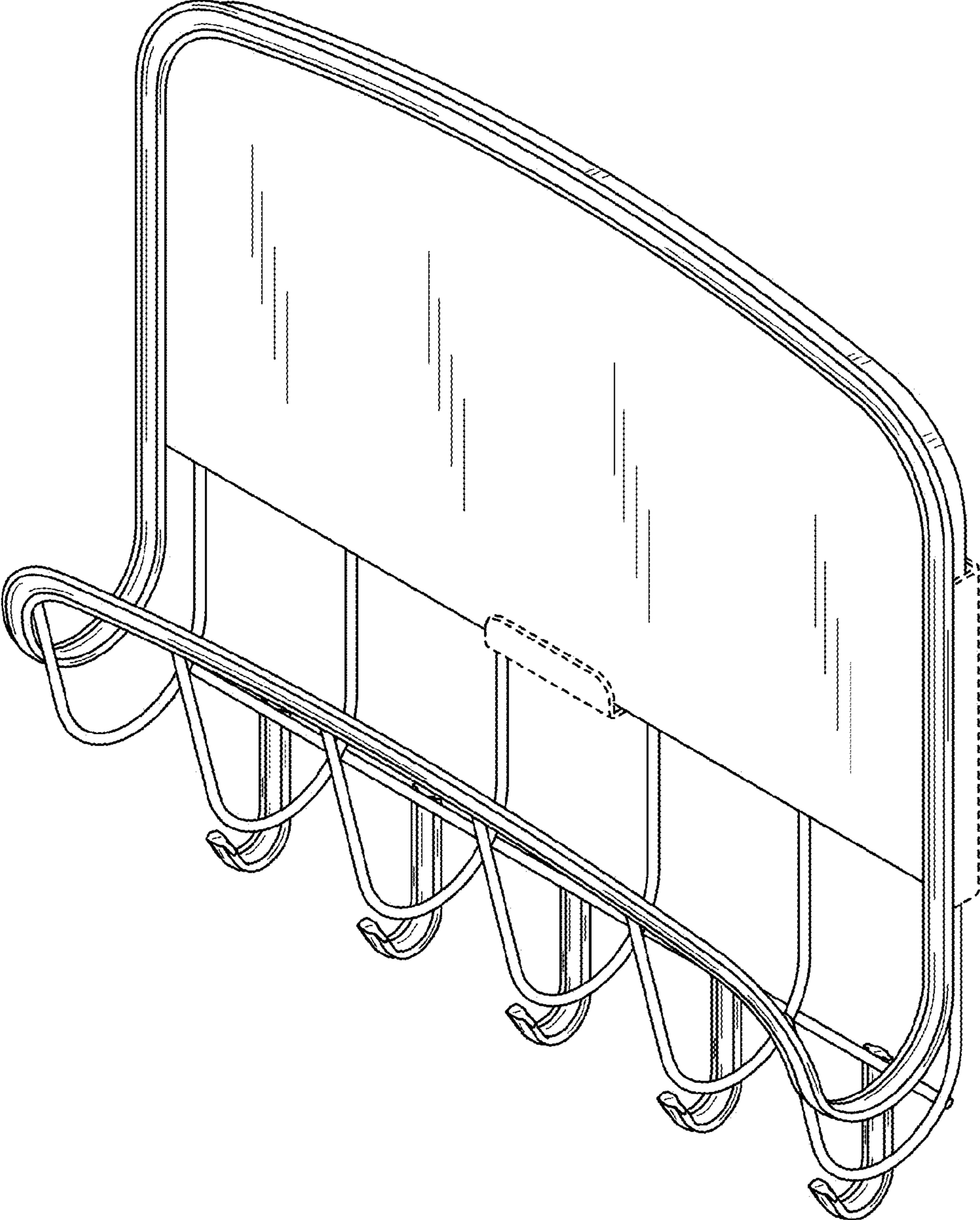


FIG. 7