



US00D759988S

(12) **United States Design Patent**  
**Dorigo**

(10) **Patent No.:** **US D759,988 S**  
(45) **Date of Patent:** **\*\* Jun. 28, 2016**

(54) **CHAIR**

(56) **References Cited**

(71) Applicant: **Offisit S.R.L.**, Mansue, Frazione  
Basalghelle (IT)  
(72) Inventor: **Fiorenzo Dorigo**, San Vendemiano (IT)  
(73) Assignee: **OFFISIT S.R.L.**, Frazione Basalghelle  
(IT)

U.S. PATENT DOCUMENTS

D180,264 S *	5/1957	Black .....	D6/375
D190,569 S *	6/1961	Mair .....	D6/375
D193,708 S *	10/1962	Keown .....	D6/375
D334,296 S *	3/1993	Hutton .....	D6/334
D600,949 S *	9/2009	Overthun .....	D6/716
D649,802 S *	12/2011	Breinholt .....	D6/375
D693,588 S *	11/2013	Moore .....	D6/375
D709,711 S *	7/2014	Citterio .....	D6/379
D735,485 S *	8/2015	Norguet .....	D6/375
D735,486 S *	8/2015	Norguet .....	D6/375
D742,673 S *	11/2015	Dorigo .....	D6/375

(\*\*) Term: **15 Years**  
(21) Appl. No.: **29/537,000**  
(22) Filed: **Aug. 21, 2015**

**OTHER PUBLICATIONS**

Notice of Allowance for U.S. Appl. No. 29/477,980 dated Jul. 24, 2015.  
Official Action dated Sep. 19, 2014 in Russian Patent Application No. 2013504876, with translation (7 pages).  
RCD No. 001660382-0026, Registered Jan. 22, 2010, entitled: Loungers, Owner: Domitalia s.p.a.

**Related U.S. Application Data**

(62) Division of application No. 29/477,980, filed on Dec. 30, 2013.

**Foreign Application Priority Data**

Jul. 10, 2013 (IT) ..... TV2013O0027

(51) **LOC (10) Cl.** ..... **06-01**

(52) **U.S. Cl.**  
USPC ..... **D6/375**

(58) **Field of Classification Search**  
USPC ..... D6/334-336, 371, 372, 373, 374, 375,  
D6/379, 380, 716, 716.1, 716.2, 716.3,  
D6/716.4  
CPC ..... A47C 3/04; A47C 4/02; A47C 4/03;  
A47C 5/12; A47C 3/12; B60N 2/686  
See application file for complete search history.

\* cited by examiner

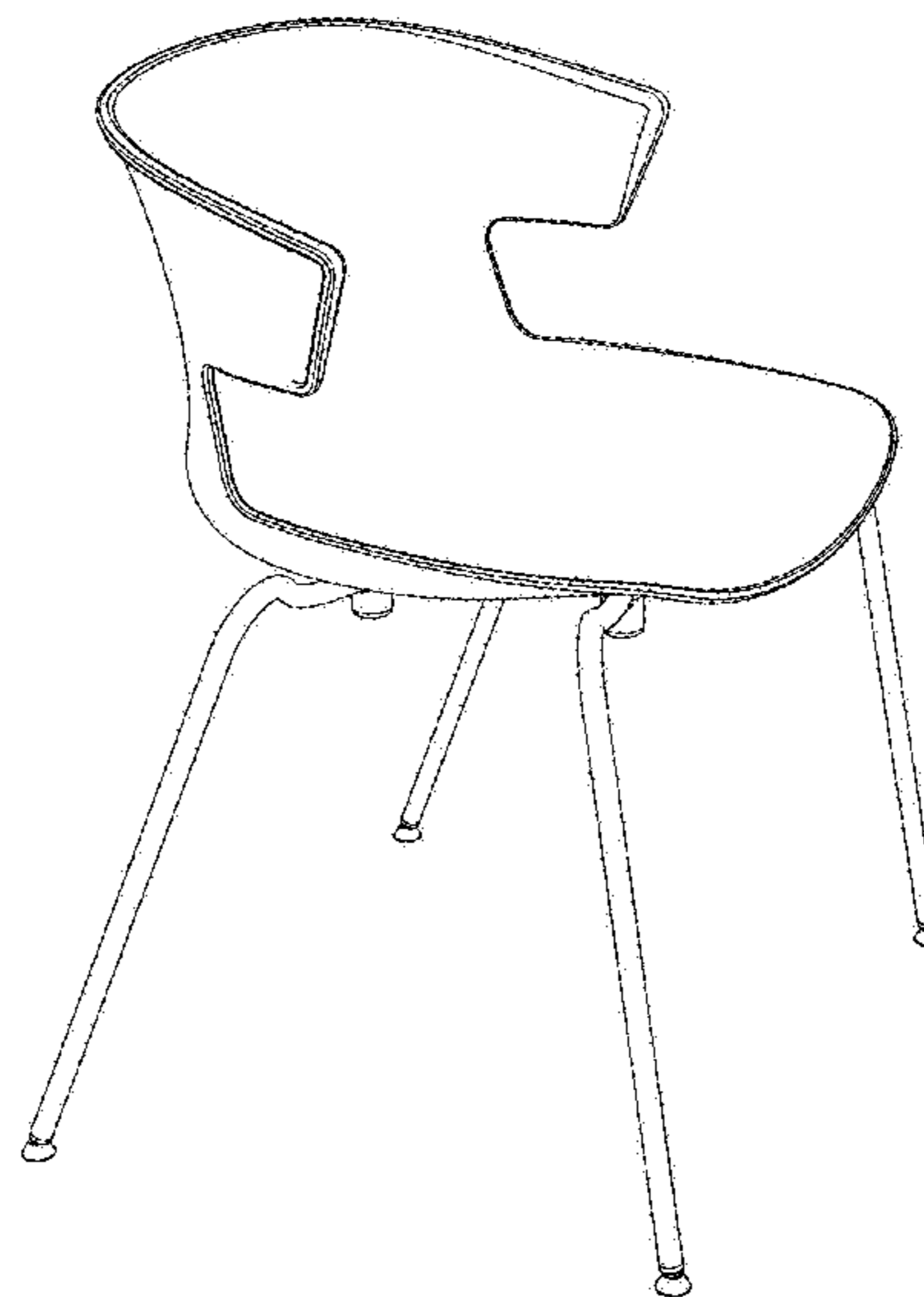
*Primary Examiner* — Mimosa De  
(74) *Attorney, Agent, or Firm* — Foley & Lardner LLP;  
James De Vellis

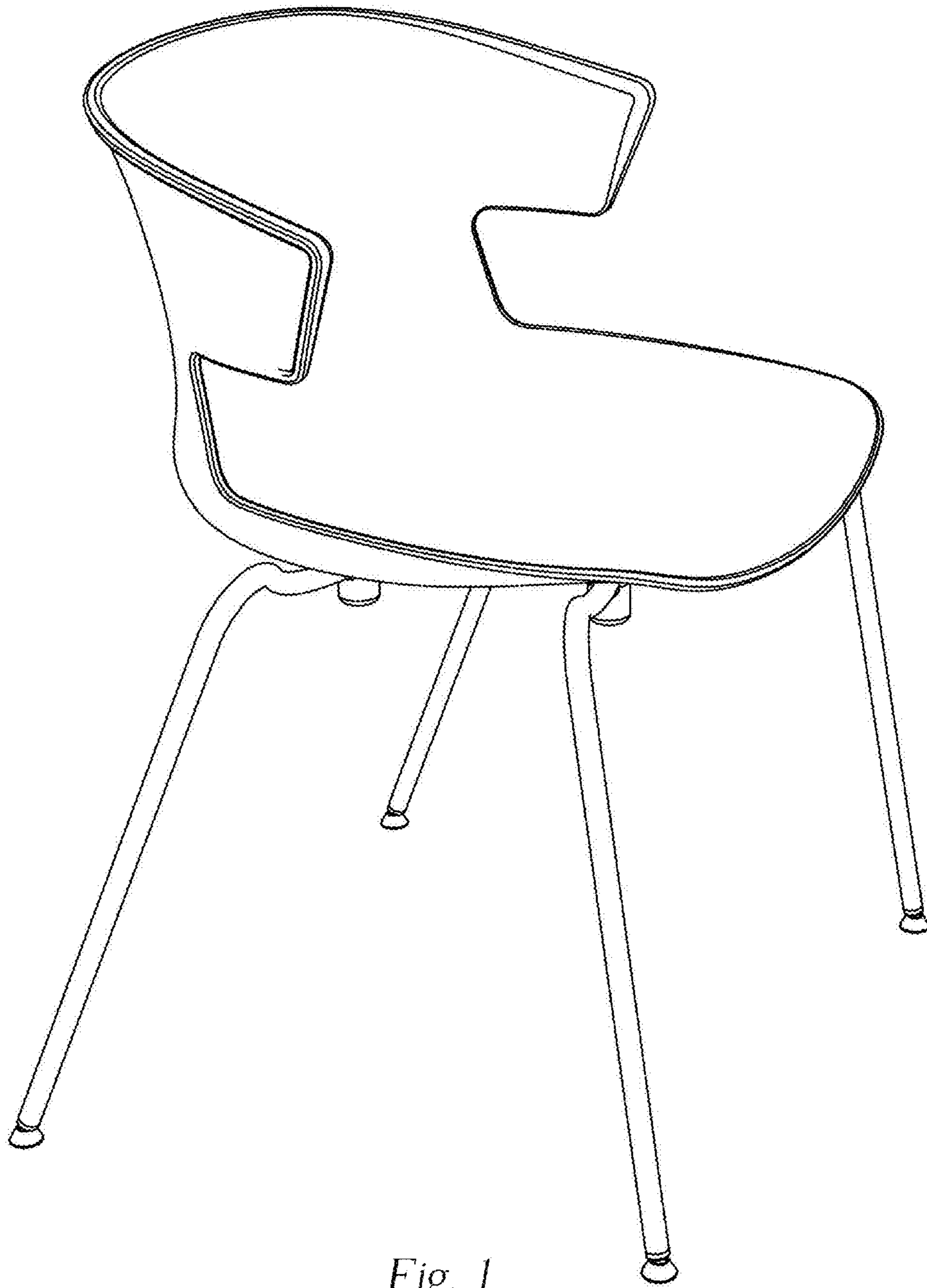
(57) **CLAIM**  
The ornamental design for a chair, as shown.

**DESCRIPTION**

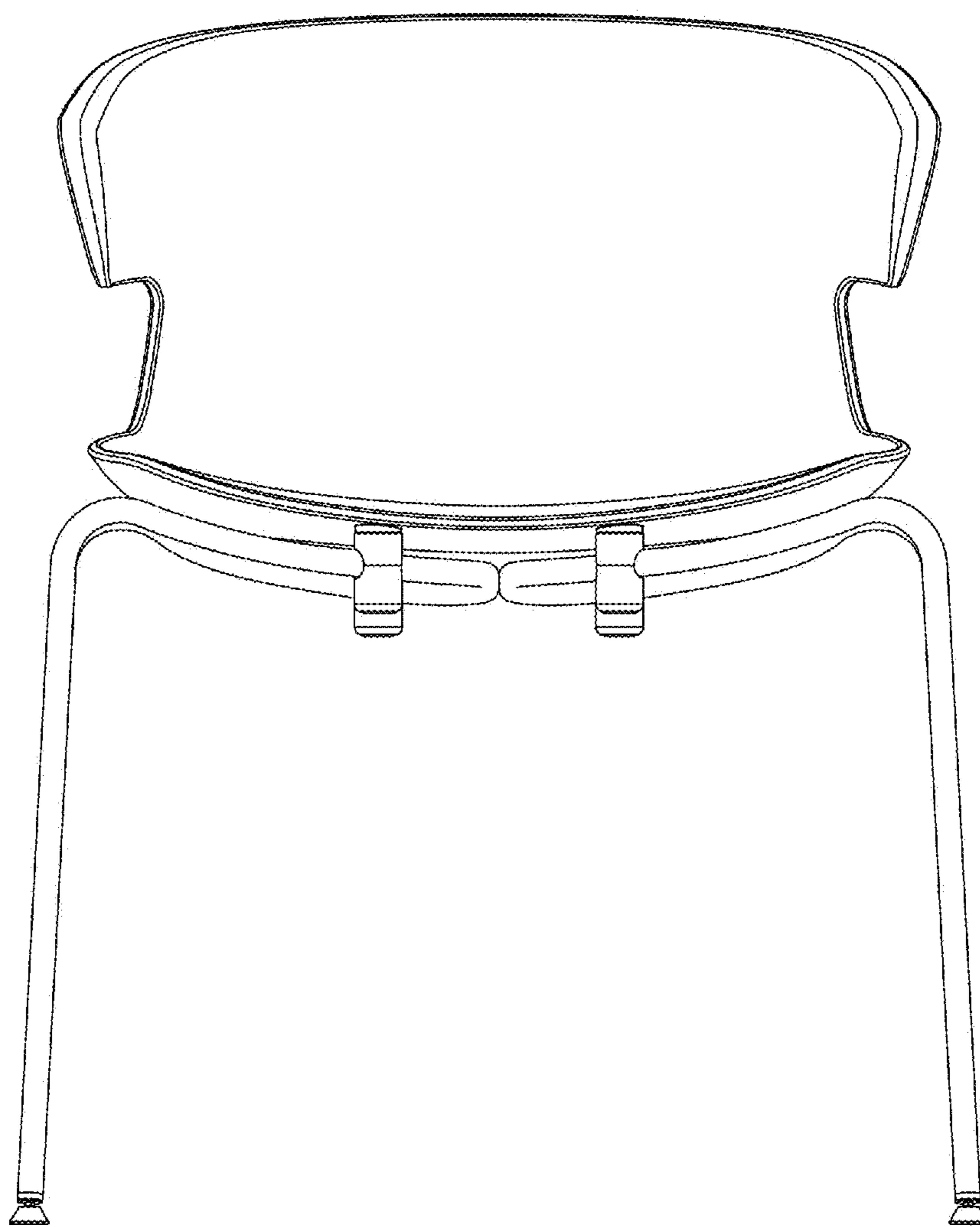
FIG. 1 is a perspective view of a chair, showing my new design;  
FIG. 2 is a front view thereof;  
FIG. 3 is a rear view thereof;  
FIG. 4 is a left side view thereof;  
FIG. 5 is a right side view thereof;  
FIG. 6 is a top view thereof; and,  
FIG. 7 is a bottom view thereof.

**1 Claim, 7 Drawing Sheets**

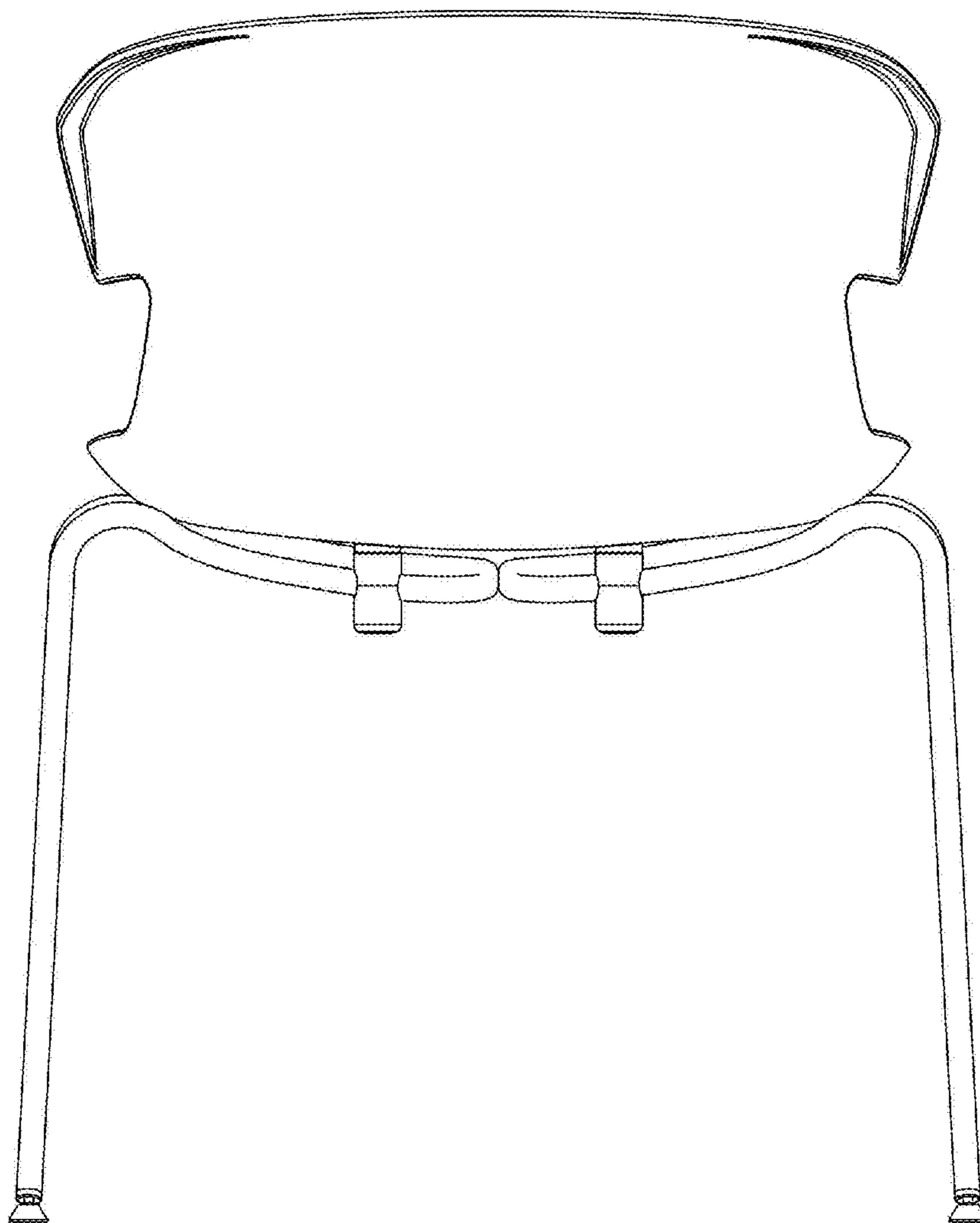




*Fig. 1*



*Fig. 2*



*Fig. 3*

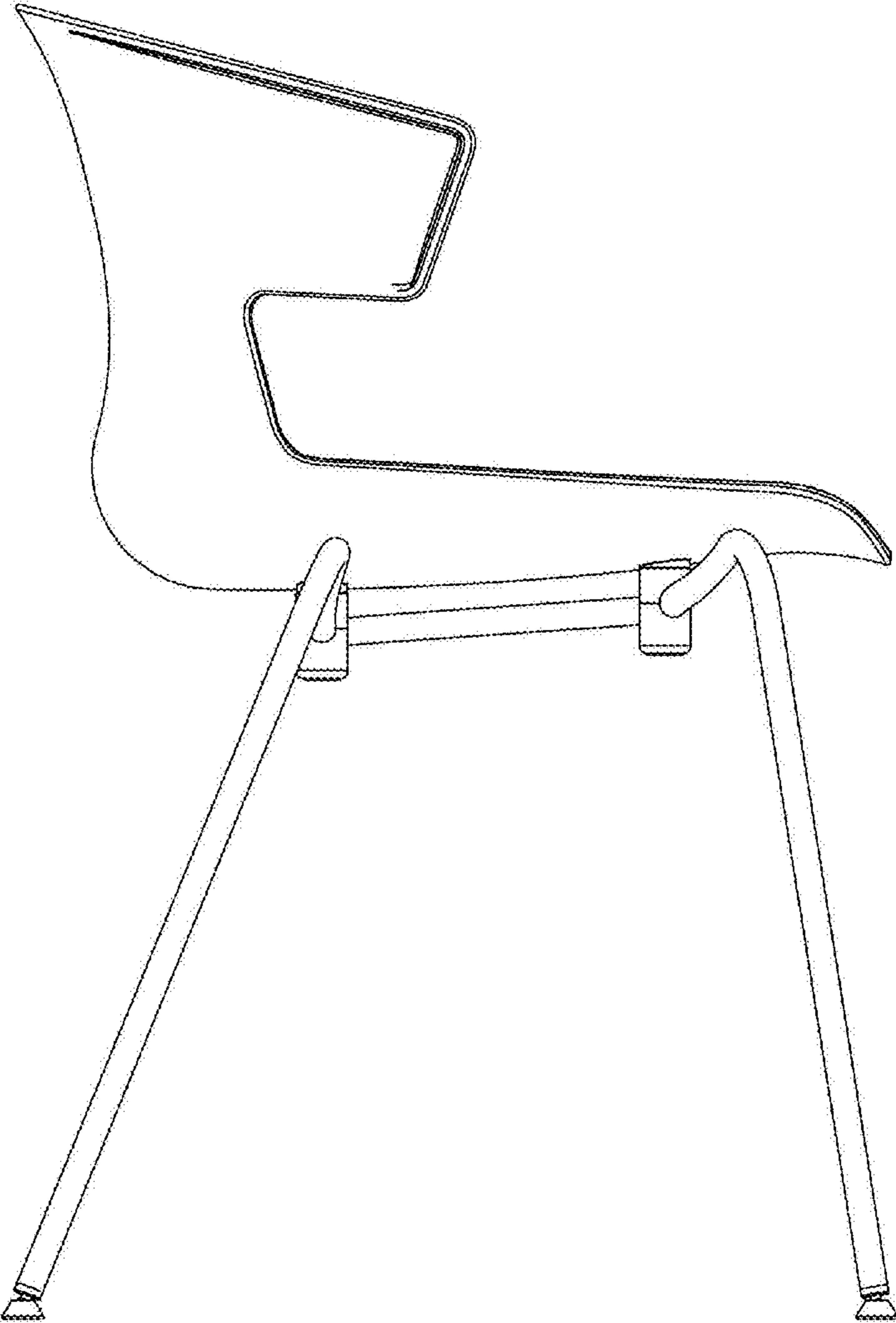
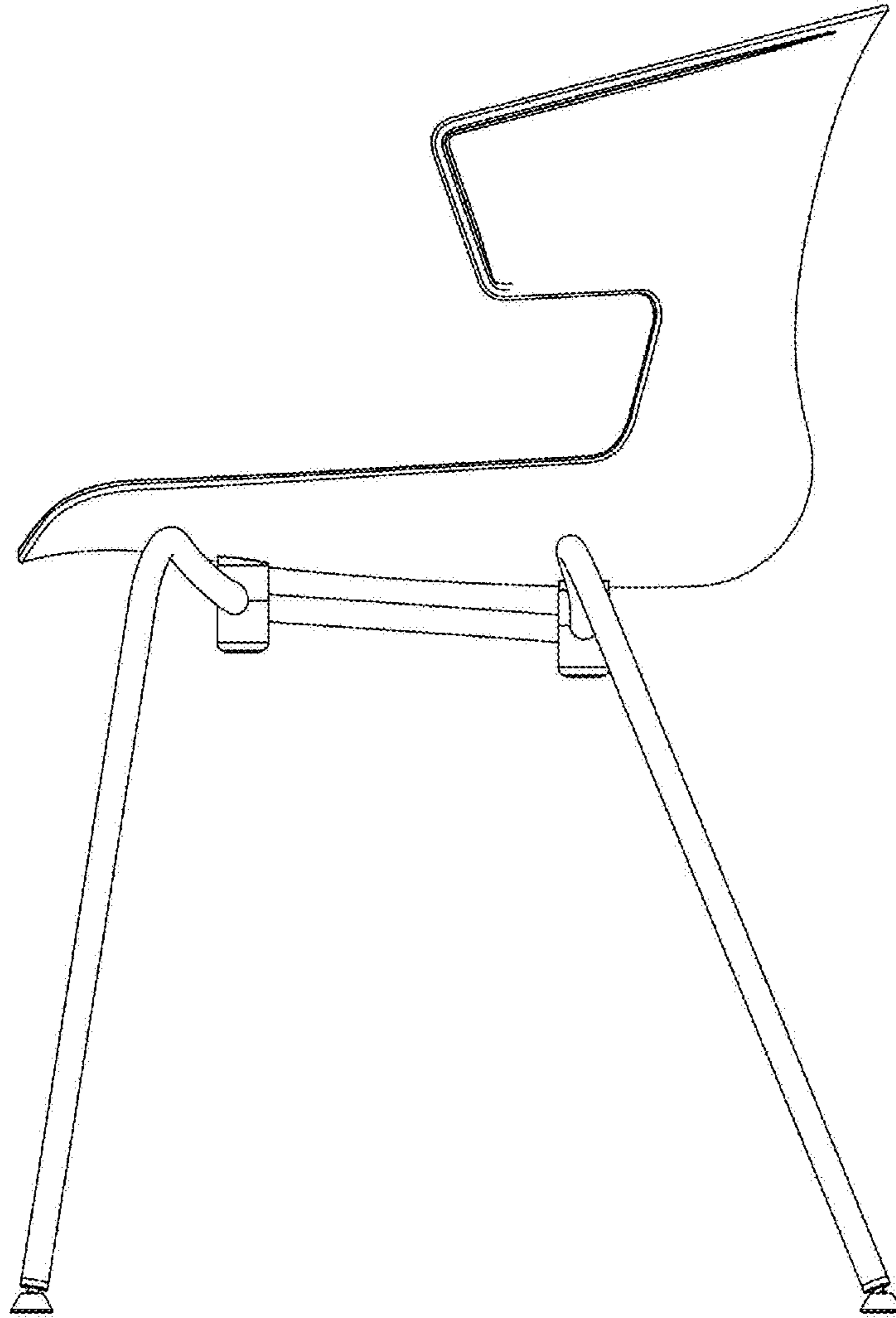
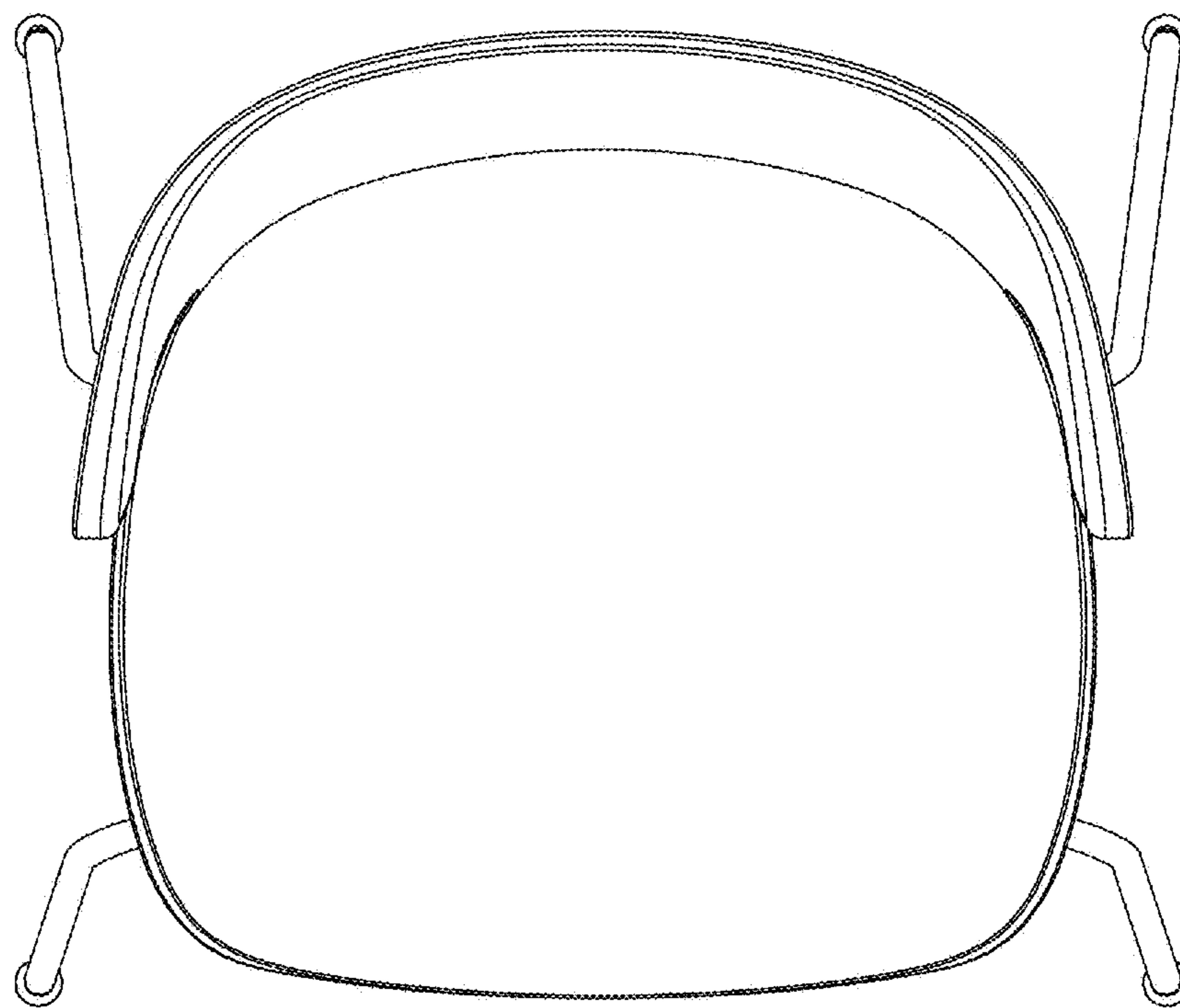


Fig. 4



*Fig. 5*



*Fig. 6*



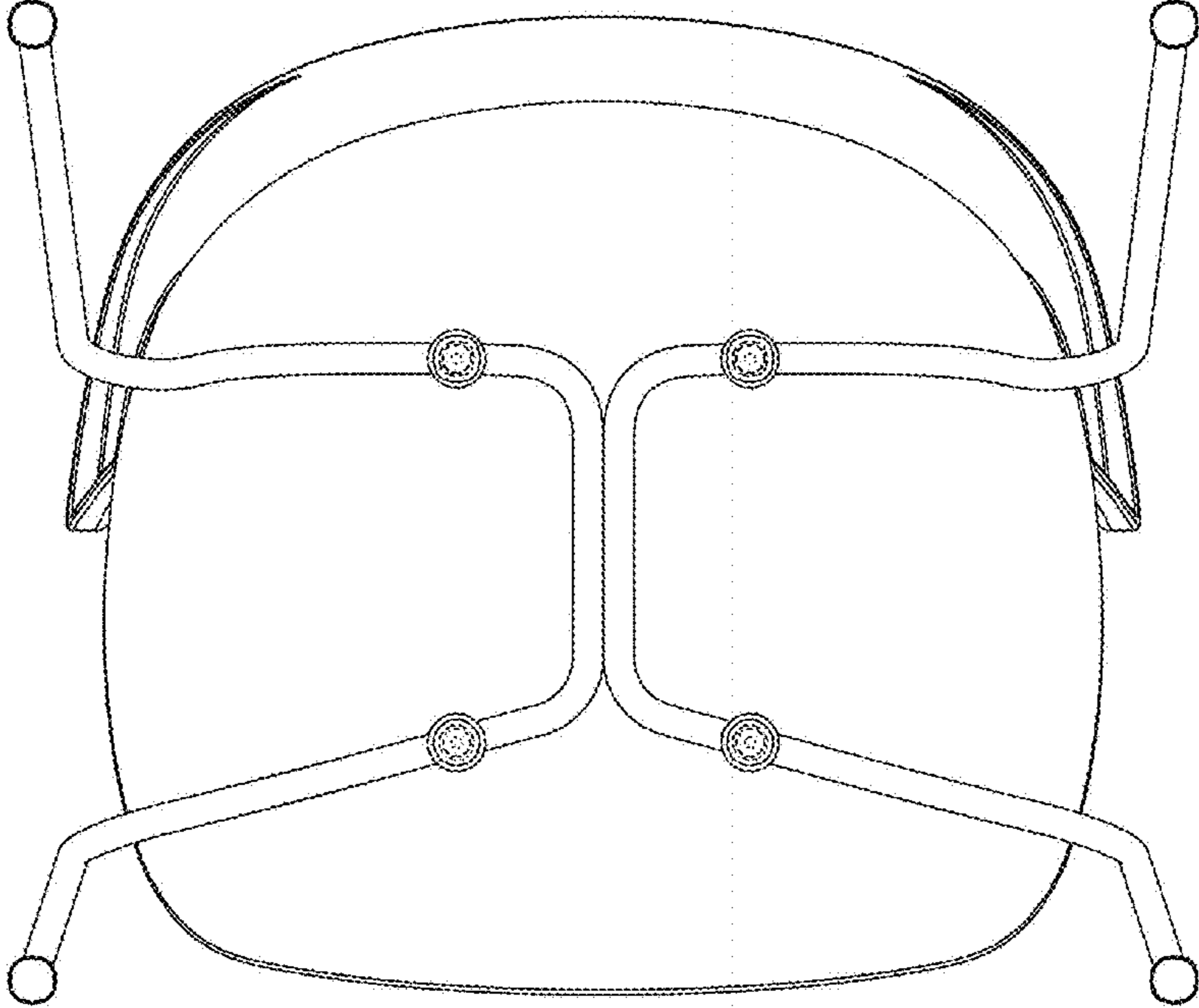


Fig. 7