

US00D759985S

(12) **United States Design Patent**  
**Lade**

(10) **Patent No.:** **US D759,985 S**  
(45) **Date of Patent:** **\*\* Jun. 28, 2016**

(54) **CHAIR**  
(71) Applicant: **Ekornes ASA**, Ikornnes (NO)  
(72) Inventor: **Jan Lade**, Straumgjerde (NO)  
(73) Assignee: **EKORNES ASA**, Ikornnes (NO)  
(\*\*) Term: **14 Years**

D316,936 S \* 5/1991 Ekornes ..... D6/365  
D364,283 S \* 11/1995 Zaidman ..... D6/365  
D405,282 S \* 2/1999 Desnoyers ..... D6/365  
D459,599 S \* 7/2002 Zaidman ..... D6/365  
D467,746 S \* 12/2002 Zaidman ..... D6/365  
D467,747 S \* 12/2002 Zaidman ..... D6/365  
D468,119 S \* 1/2003 Zaidman ..... D6/365  
D468,120 S \* 1/2003 Zaidman ..... D6/365  
D601,359 S \* 10/2009 Wold ..... D6/365  
D717,555 S \* 11/2014 Massaud ..... D6/364

\* cited by examiner

(21) Appl. No.: **29/523,936**  
(22) Filed: **Apr. 15, 2015**

*Primary Examiner* — Mimosia De  
(74) *Attorney, Agent, or Firm* — Thomas Schneck

(30) **Foreign Application Priority Data**

Oct. 17, 2014 (NO) ..... DS20140910

(51) **LOC (10) Cl.** ..... **06-01**  
(52) **U.S. Cl.**  
USPC ..... **D6/365**

(57) **CLAIM**

I claim the ornamental design for a chair, as shown and described.

(58) **Field of Classification Search**  
USPC ..... D6/334–336, 364, 365, 366, 367, 716,  
D6/716.1, 716.2, 716.3, 716.4  
CPC ..... A47C 1/032; A47C 3/18; A47C 4/028;  
A47C 7/004; A47C 7/022; A47C 7/18;  
A47C 7/24; B60N 2/4808  
See application file for complete search history.

**DESCRIPTION**

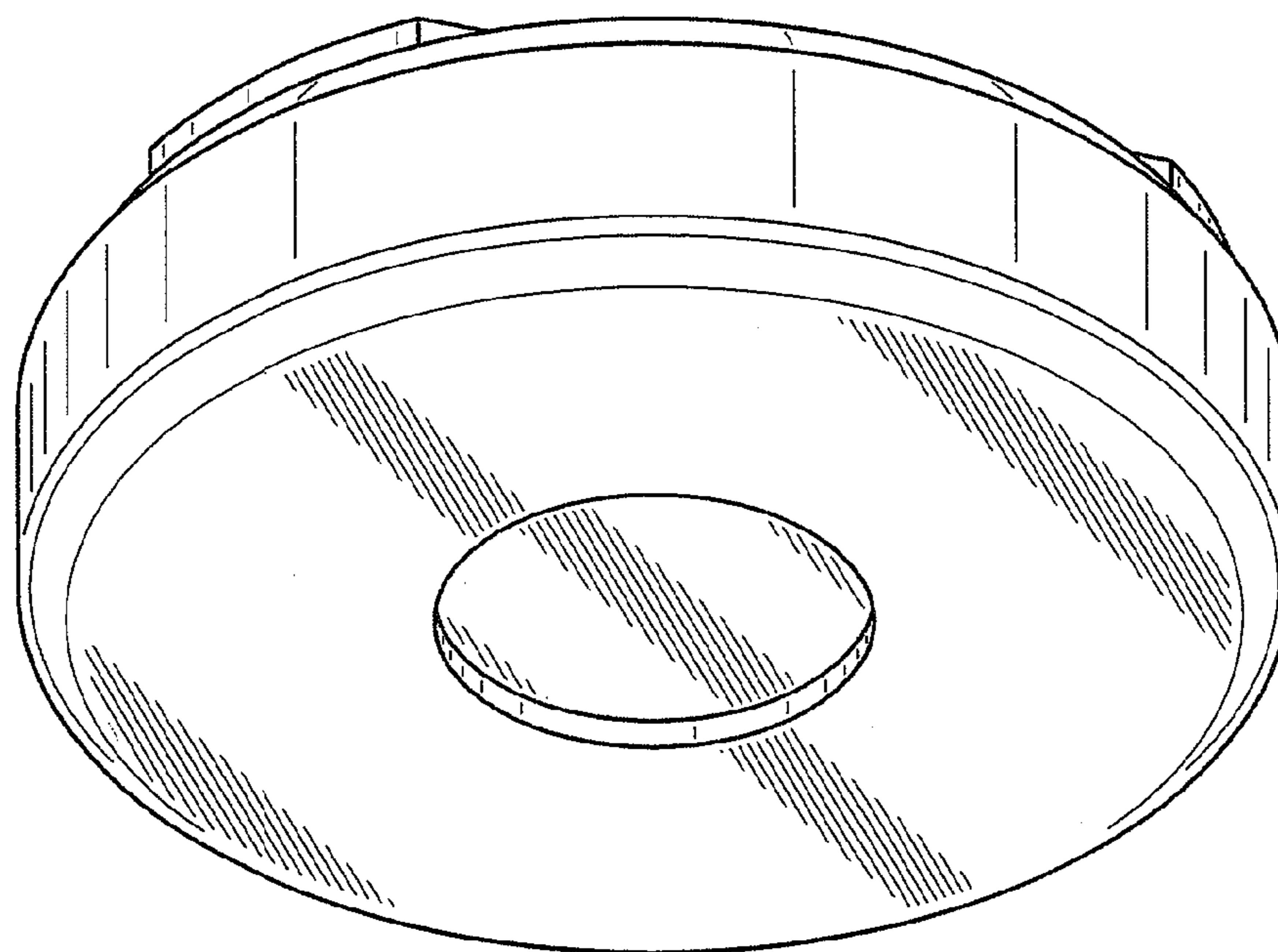
FIG. 1 is a perspective view of a chair of my design;  
FIG. 2 is a front view thereof;  
FIG. 3 is a back view thereof;  
FIG. 4 is a right side view thereof;  
FIG. 5 is a left side view thereof;  
FIG. 6 is a top view thereof; and,  
FIG. 7 is a bottom view thereof.

(56) **References Cited**

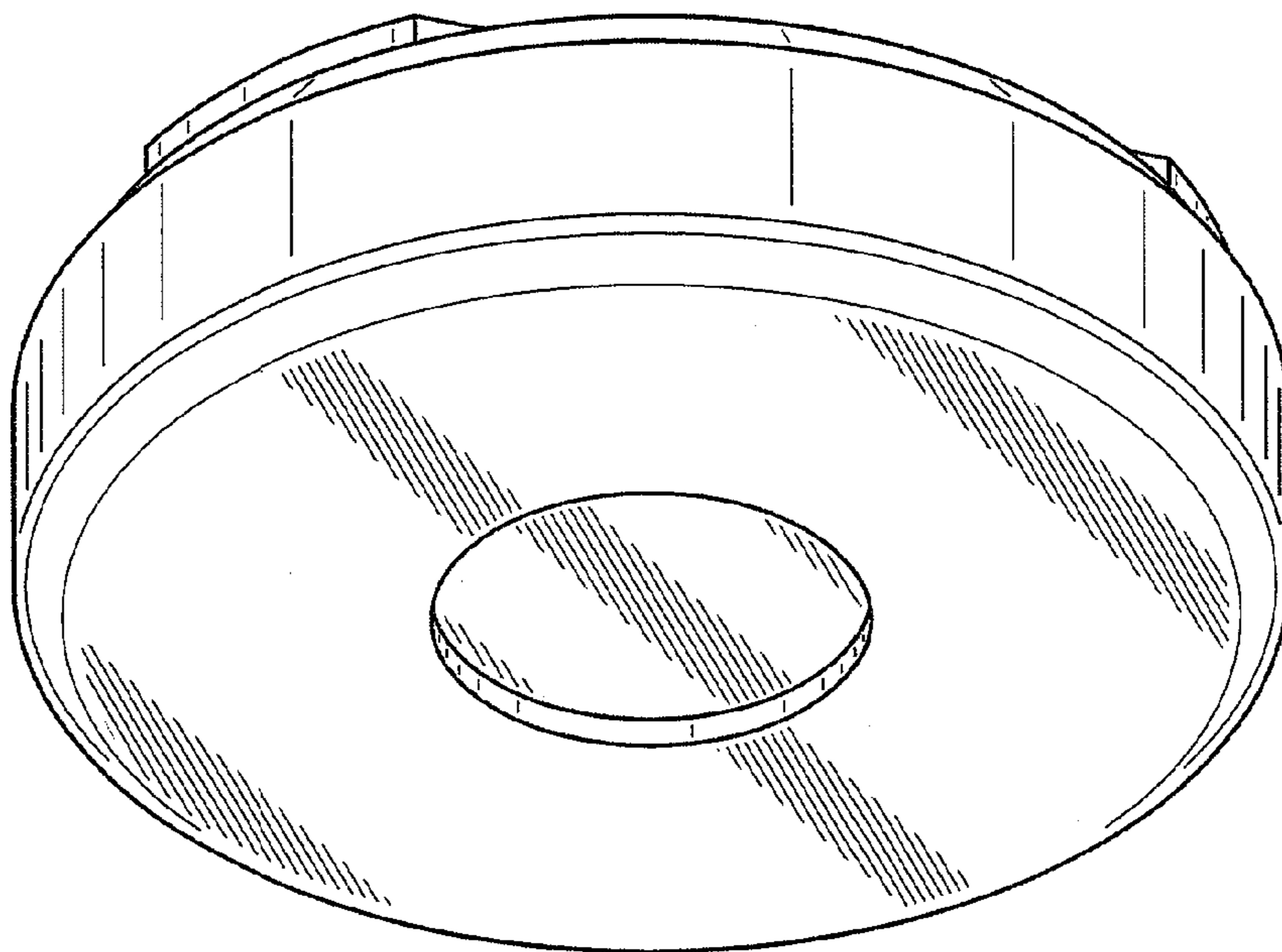
**U.S. PATENT DOCUMENTS**

D286,105 S \* 10/1986 Goldman ..... D6/365

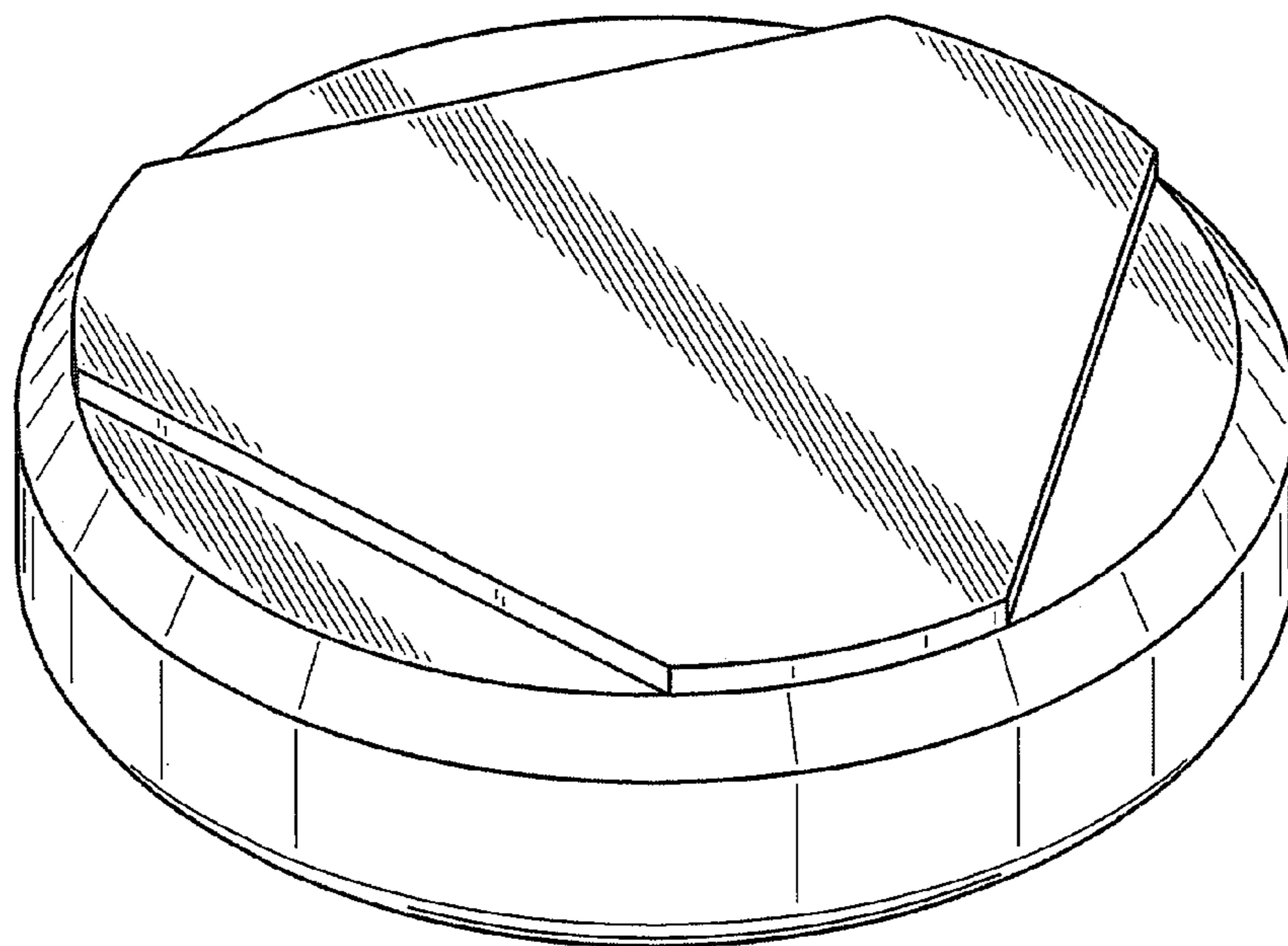
**1 Claim, 3 Drawing Sheets**



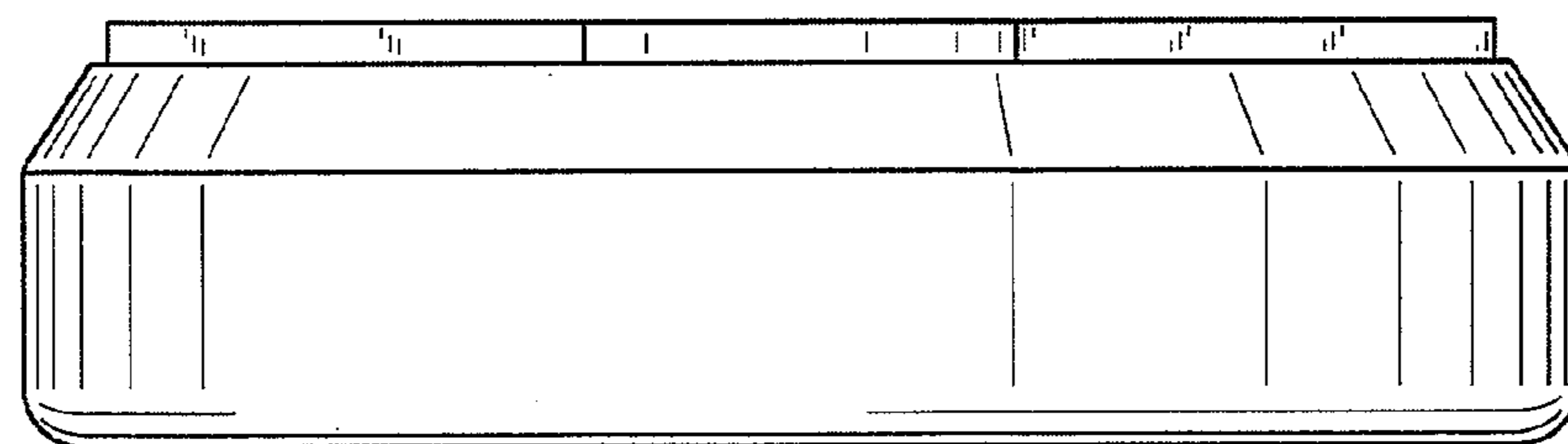
**FIG. 1**



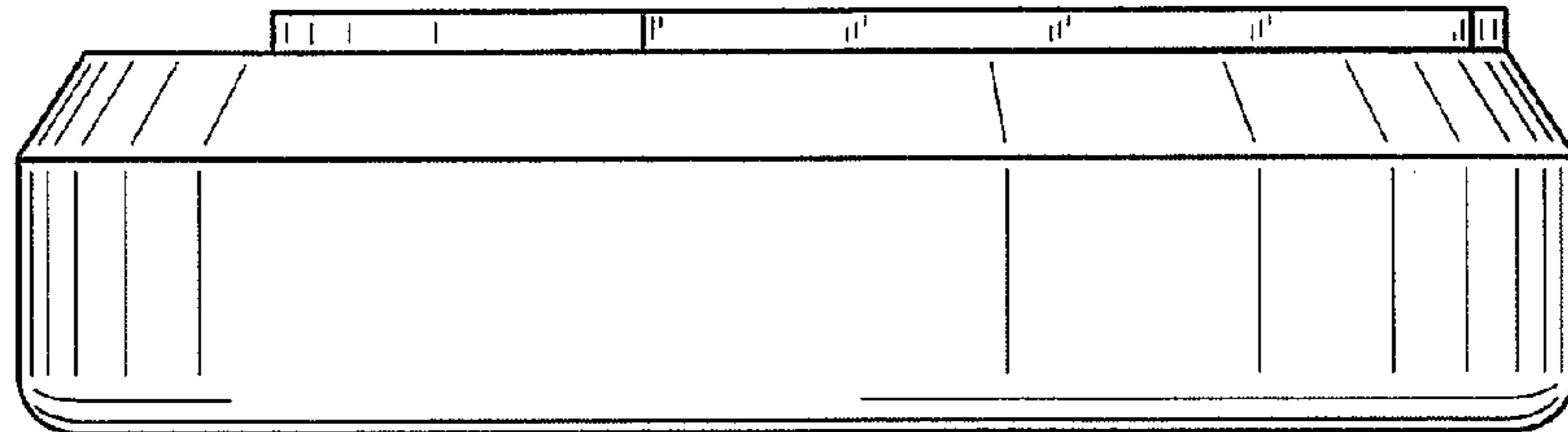
**FIG. 2**



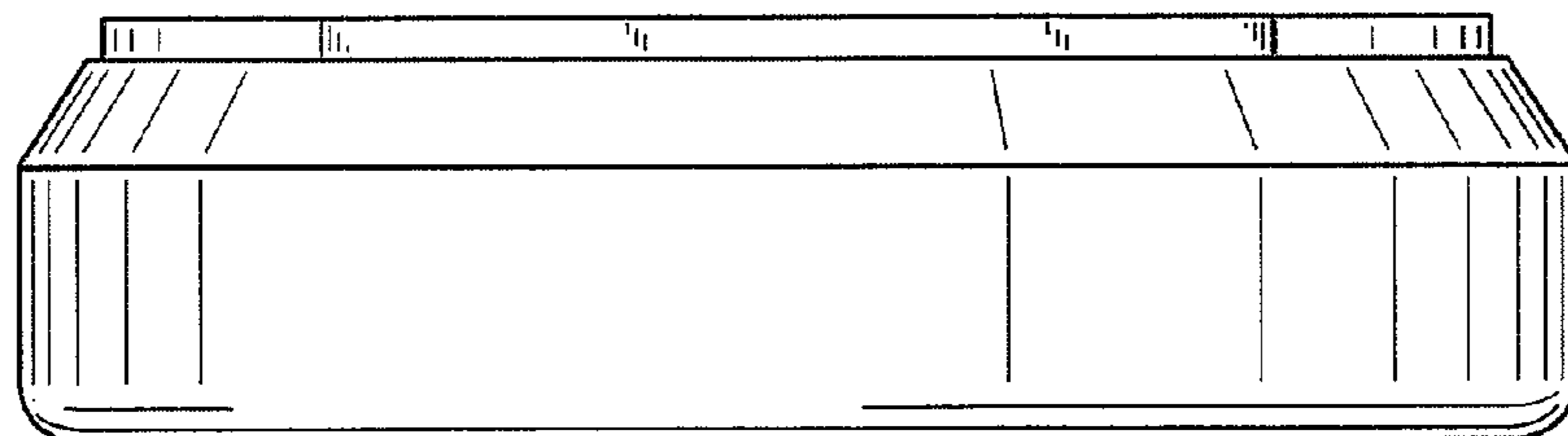
**FIG. 3**



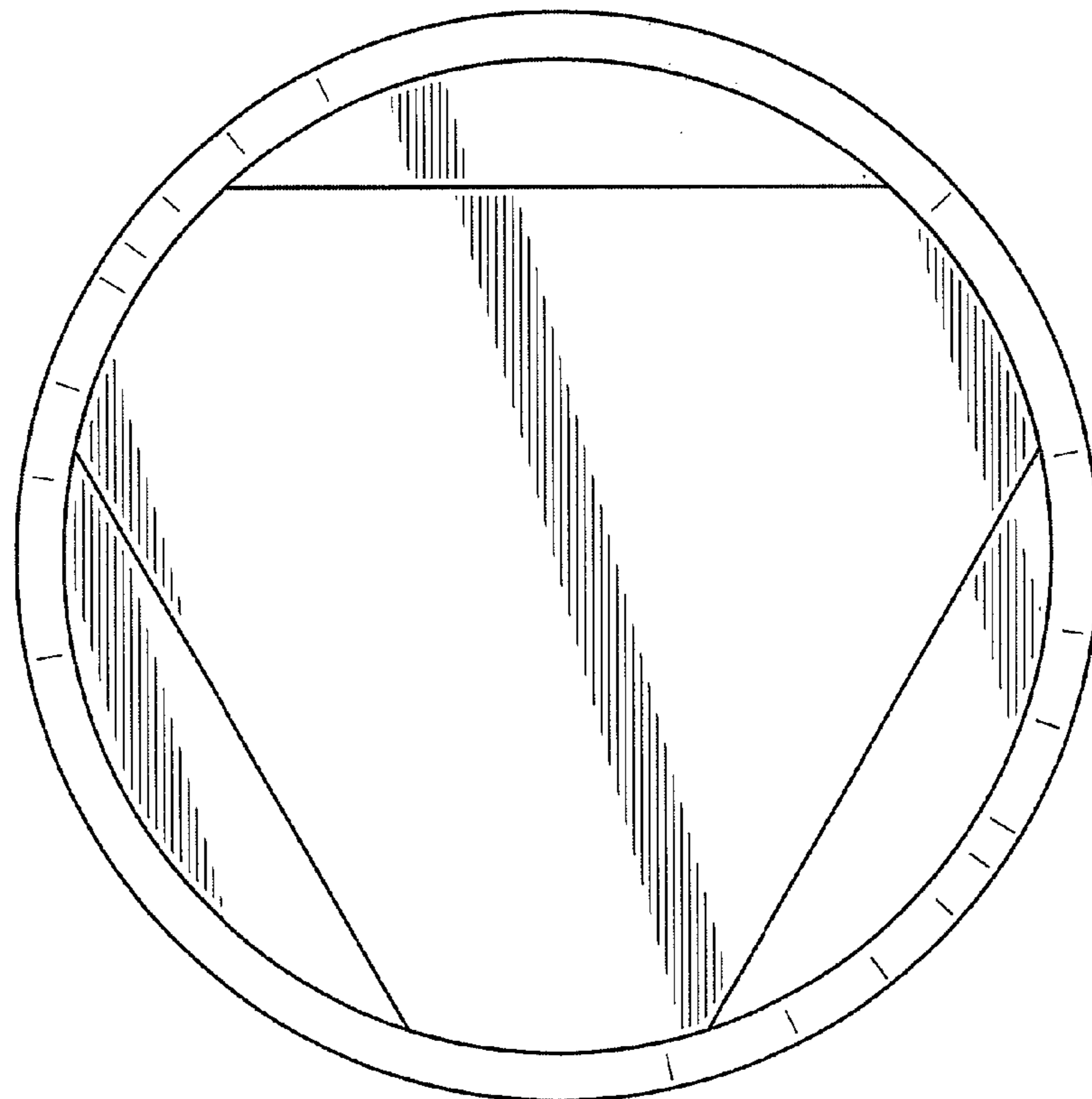
**FIG. 4**



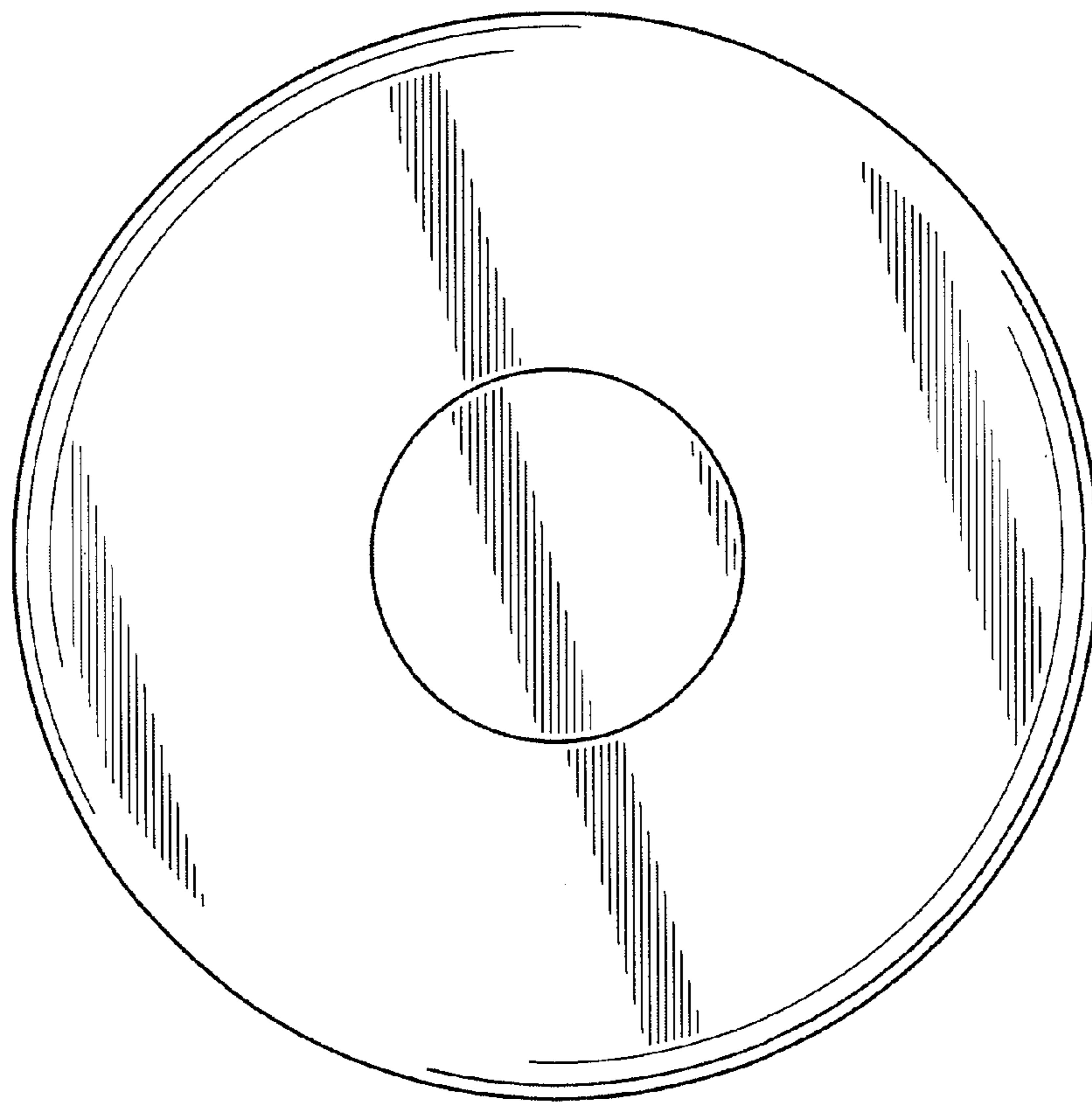
**FIG. 5**



**FIG. 6**



**FIG. 7**



UNITED STATES PATENT AND TRADEMARK OFFICE  
**CERTIFICATE OF CORRECTION**

PATENT NO. : D759,985 S  
APPLICATION NO. : 29/523936  
DATED : June 28, 2016  
INVENTOR(S) : Jan Lade

Page 1 of 9

It is certified that error appears in the above-identified patent and that said Letters Patent is hereby corrected as shown below:

Delete title page, and replace with new Title page. (attached)

Delete Drawing sheets 1-7, and replace with new drawing sheets 1-7. (attached)

Signed and Sealed this  
Eleventh Day of October, 2016



Michelle K. Lee  
*Director of the United States Patent and Trademark Office*

(12) **United States Design Patent**  
**Lade**

(10) Patent No.: **US D759,985 S**  
 (45) Date of Patent: **\*\* Jun. 28, 2016**

(54) **CHAIR**  
 (71) Applicant: **Ekornes ASA, Ikomnes (NO)**  
 (72) Inventor: **Jan Lade, Straungjerde (NO)**  
 (73) Assignee: **EKORNES ASA, Ikomnes (NO)**  
 (\*\*) Term: **14 Years**

D316,936 S *	5/1991	Ekornes	.....	D6/365
D364,283 S *	11/1995	Zaidman	.....	D6/365
D405,282 S *	2/1999	Desnoyers	.....	D6/365
D459,599 S *	7/2002	Zaidman	.....	D6/365
D467,746 S *	12/2002	Zaidman	.....	D6/365
D467,747 S *	12/2002	Zaidman	.....	D6/365
D468,119 S *	1/2003	Zaidman	.....	D6/365
D468,120 S *	1/2003	Zaidman	.....	D6/365
D601,359 S *	10/2009	Wold	.....	D6/365
D717,555 S *	11/2014	Massaud	.....	D6/364

\* cited by examiner

(21) Appl. No.: **29/523,936**  
 (22) Filed: **Apr. 15, 2015**

Primary Examiner — **Mimosa De**  
 (74) Attorney, Agent, or Firm — **Thomas Schneck**

(30) **Foreign Application Priority Data**

Oct. 17, 2014 (NO) ..... DS20140910  
 (51) LOC (10) CL ..... 06-01  
 (52) U.S. CL  
 USPC ..... **D6/365**  
 (58) **Field of Classification Search**  
 USPC ..... D6/334-336, 364, 365, 366, 367, 716,  
 D6/716.1, 716.2, 716.3, 716.4  
 CPC ..... A47C 1/032; A47C 3/18; A47C 4/028;  
 A47C 7/004; A47C 7/022; A47C 7/18;  
 A47C 7/24; B60N 2/4808  
 See application file for complete search history.

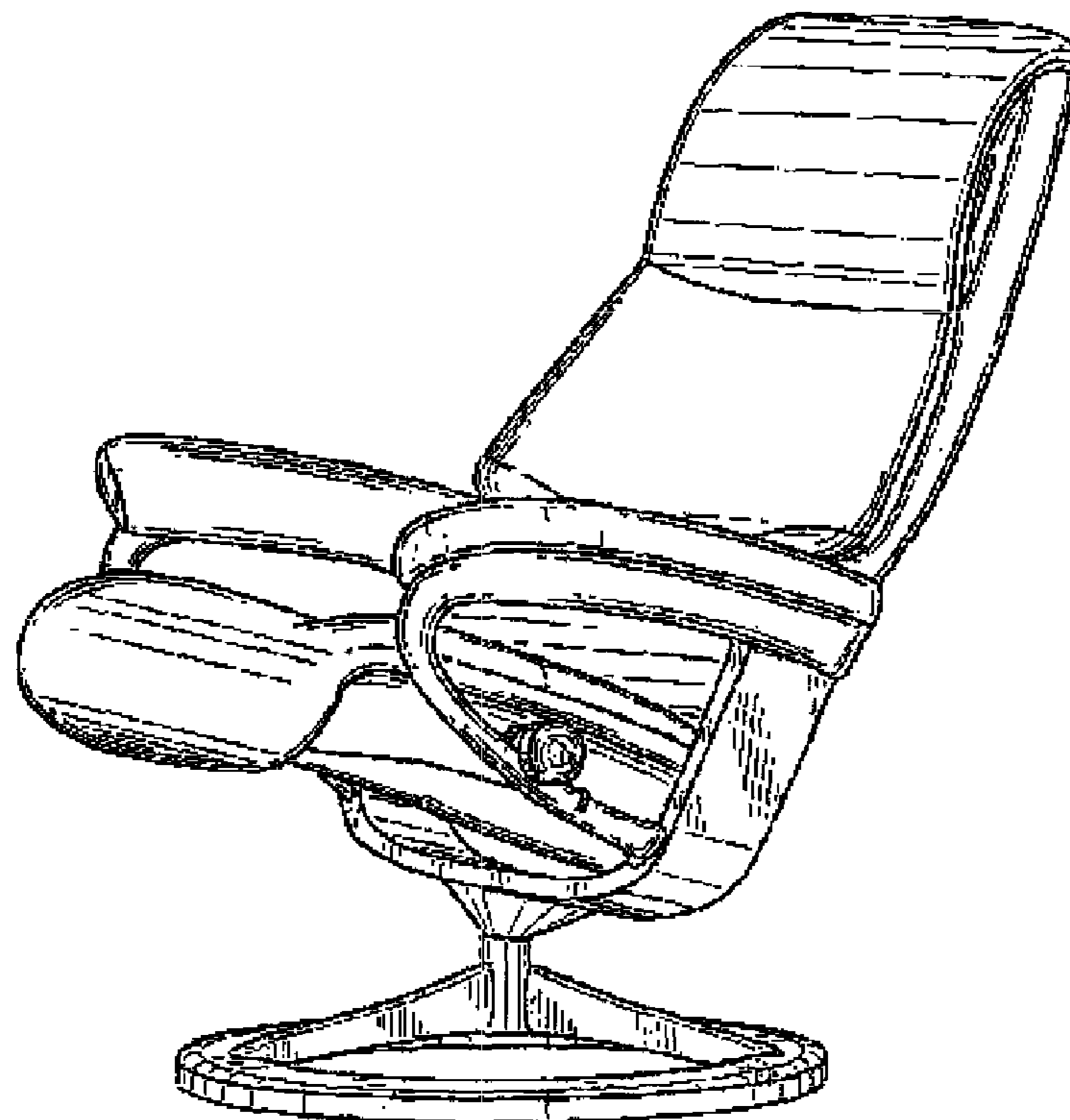
(57) **CLAIM**  
 I claim the ornamental design for a chair, as shown and described.

**DESCRIPTION**

FIG. 1 is a perspective view of a chair of my design;  
 FIG. 2 is a front view thereof;  
 FIG. 3 is a back view thereof;  
 FIG. 4 is a right side view thereof;  
 FIG. 5 is a left side view thereof;  
 FIG. 6 is a top view thereof; and,  
 FIG. 7 is a bottom view thereof.

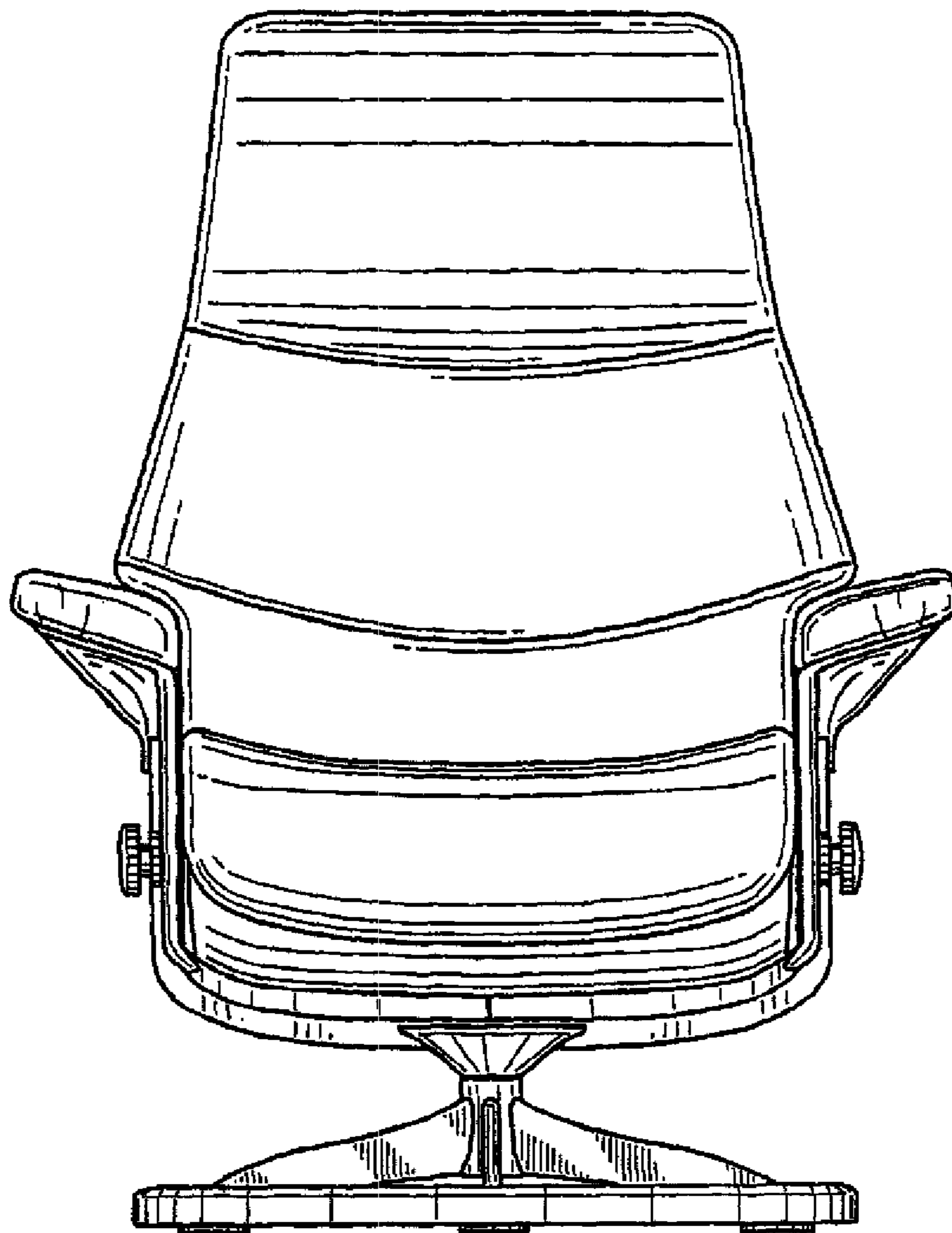
(56) **References Cited**  
 U.S. PATENT DOCUMENTS  
 D286,105 S \* 10/1986 Goldman ..... D6/365

**1 Claim, 7 Drawing Sheets**



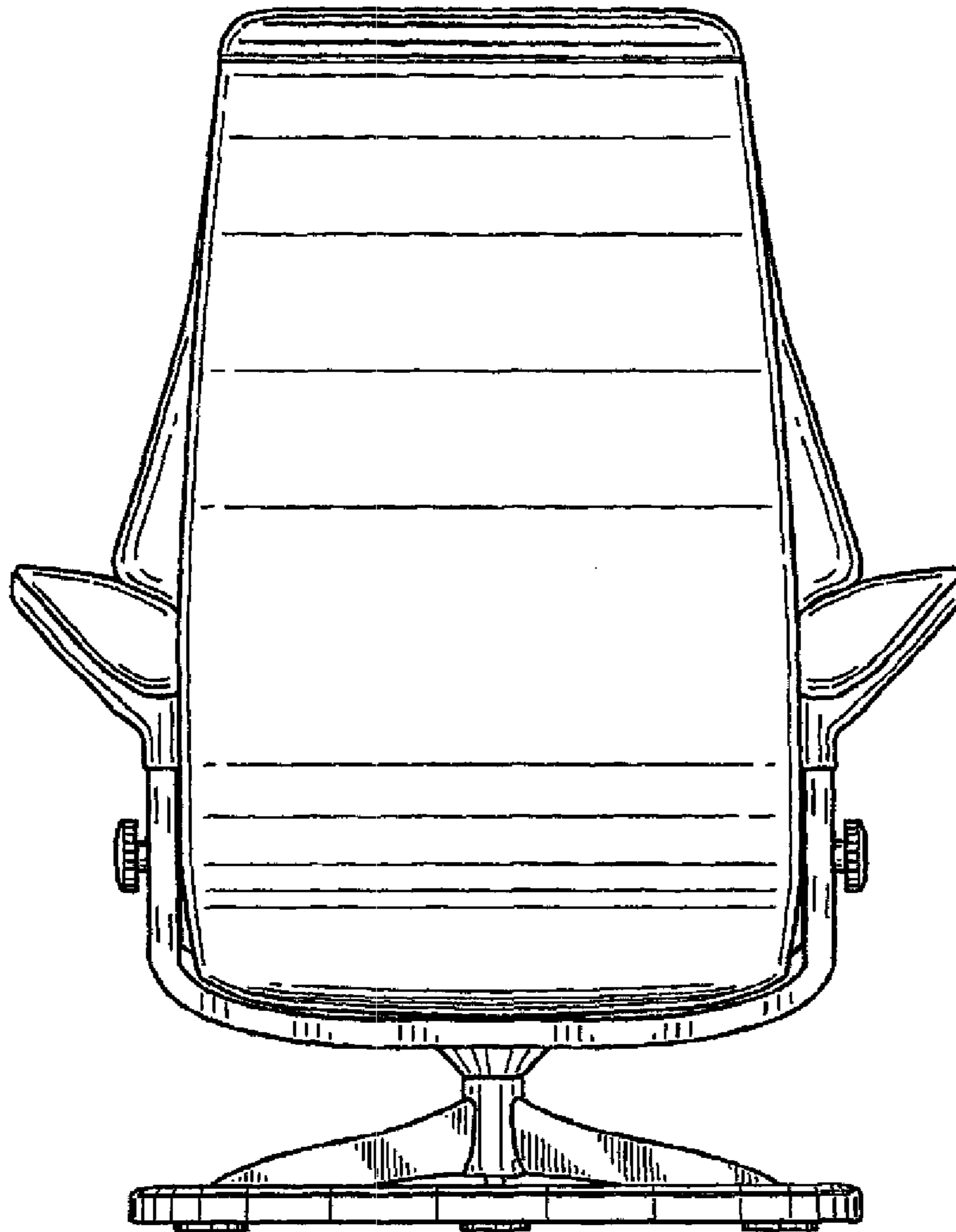


*Fig. 1*

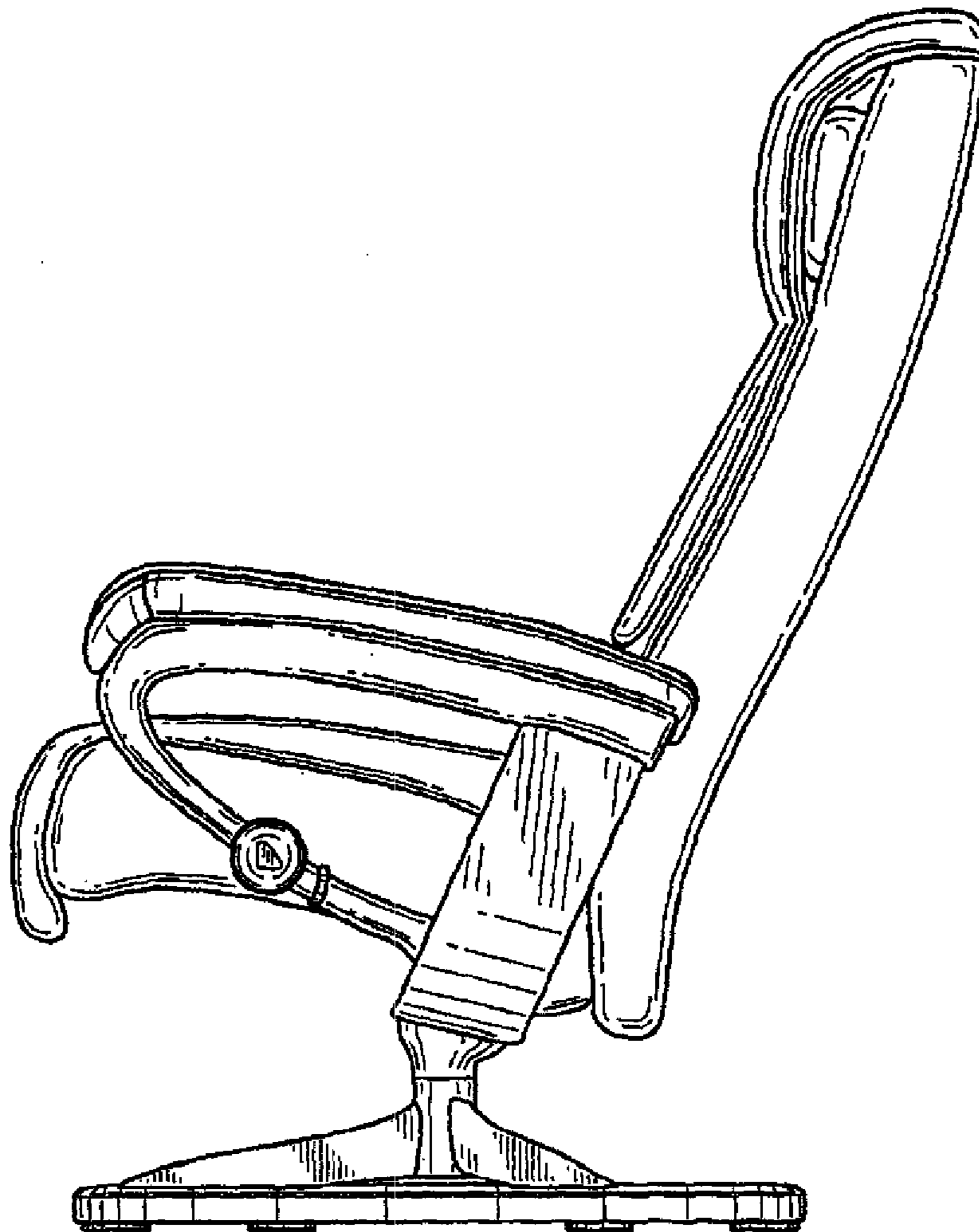


*Fig. 2*

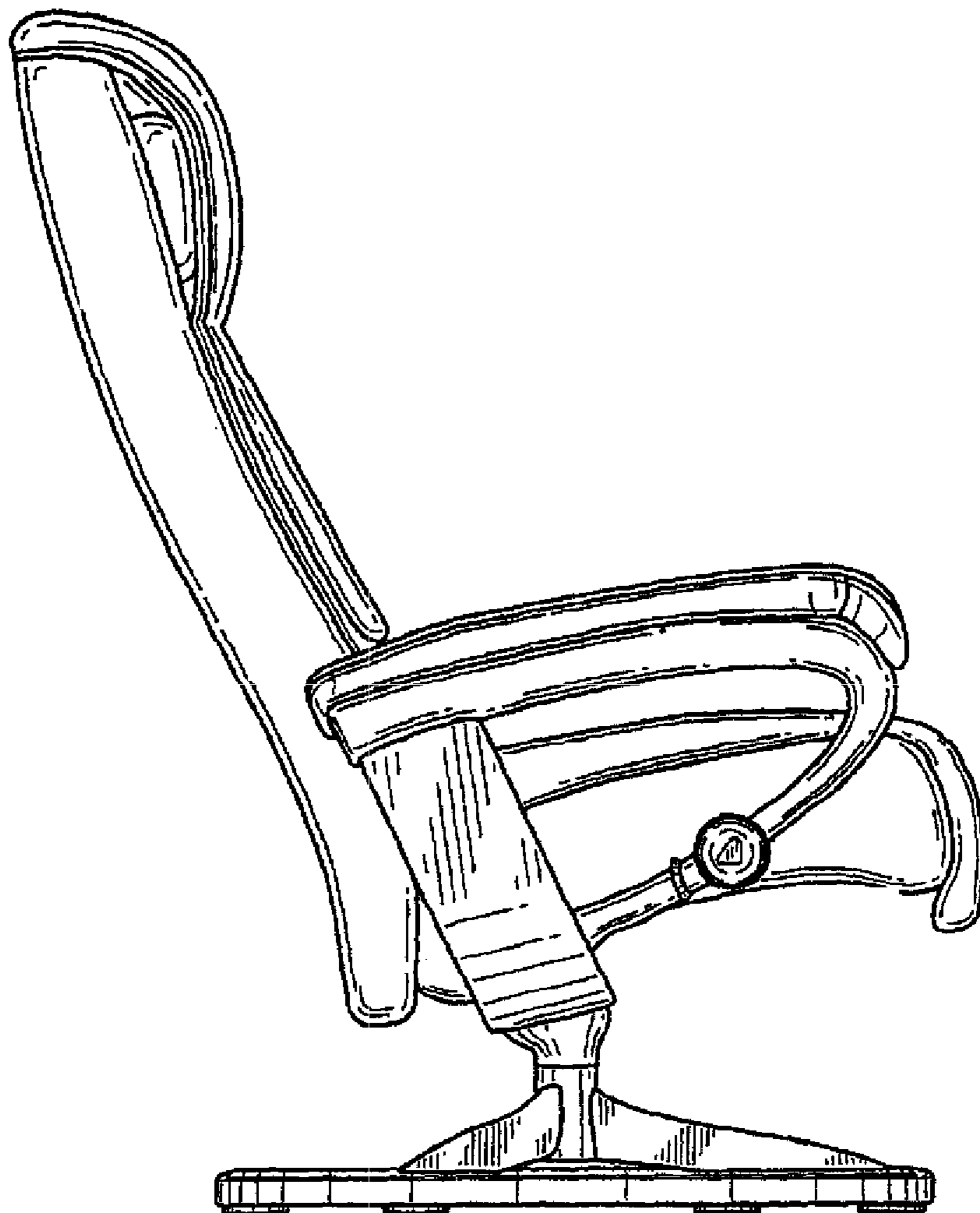




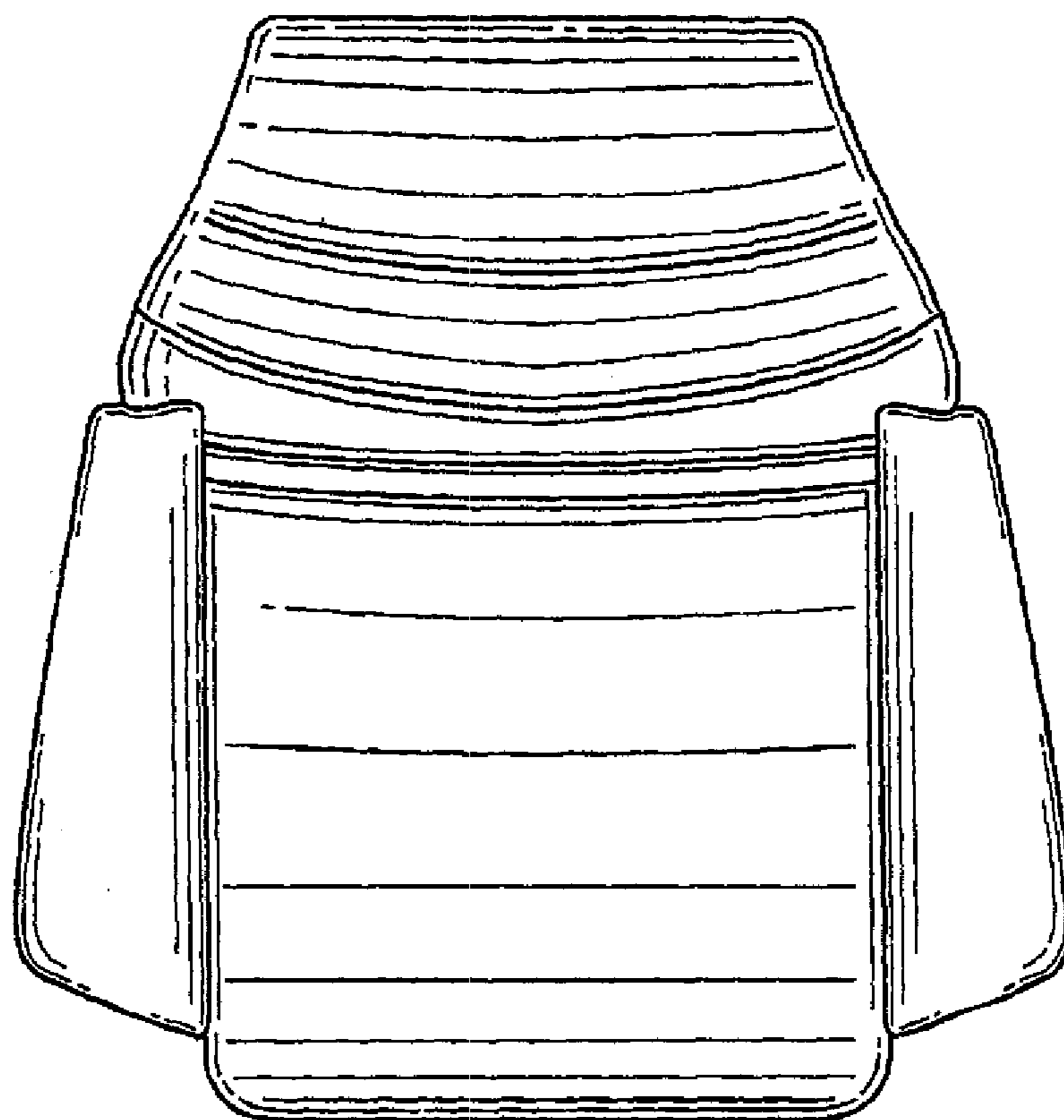
*Fig. 3*



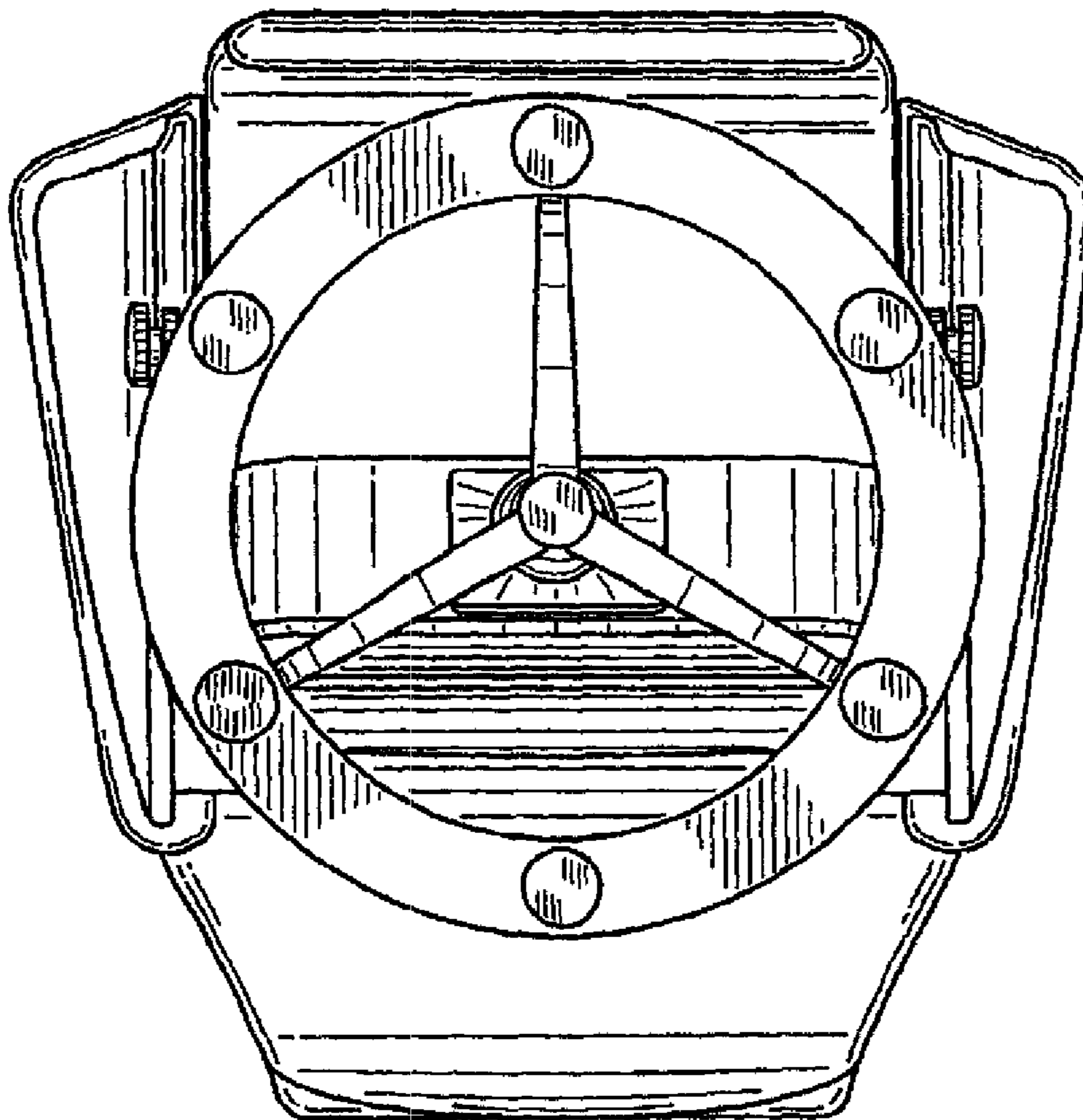
*Fig. 4*



*Fig. 5*



*Fig. 6*



*Fig. 7*